



US00D702377S

(12) **United States Design Patent**
Lay

(10) **Patent No.:** **US D702,377 S**

(45) **Date of Patent:** **** Apr. 8, 2014**

(54) **PORTION OF A LAMP**

(71) Applicant: **Cree, Inc.**, Durham, NC (US)

(72) Inventor: **James Michael Lay**, Apex, NC (US)

(73) Assignee: **Cree, Inc.**, Durham, NC (US)

(**) Term: **14 Years**

(21) Appl. No.: **29/460,890**

(22) Filed: **Jul. 16, 2013**

D566,300 S *	4/2008	Lo	D26/2
D581,555 S *	11/2008	To et al.	D26/2
D584,838 S *	1/2009	To et al.	D26/2
D610,722 S *	2/2010	Bi	D26/2
D677,806 S *	3/2013	Jiang et al.	D26/2

* cited by examiner

Primary Examiner — Marcus Jackson

(74) *Attorney, Agent, or Firm* — McCracken & Frank LLC

(57) **CLAIM**

The ornamental design for a portion of a lamp, as shown and described herein.

DESCRIPTION

FIG. 1 is an isometric view of a top, front, and left side of an ornamental design for a portion of a lamp;
 FIG. 2 is a top plan view of a portion of a lamp of FIG. 1;
 FIG. 3 is a rear elevational view of a portion of a lamp of FIG. 1;
 FIG. 4 is a front elevational view a portion of a lamp of FIG. 1;
 FIG. 5 is right-side elevational view of a portion of a lamp of FIG. 1;
 FIG. 6 is a left-side elevational view of a portion of a lamp of FIG. 1; and
 FIG. 7 is a bottom plan view of a portion of a lamp of FIG. 1.
 The subject matter shown in dashed lines is for illustrative purposes only and forms no part of the claimed invention.

Related U.S. Application Data

(63) Continuation of application No. 13/839,949, filed on Mar. 15, 2013.

(51) **LOC (10) Cl.** **26-04**

(52) **U.S. Cl.**
USPC **D26/2**

(58) **Field of Classification Search**
USPC D26/1-4; 313/313, 315, 316, 317, 318, 313/493; 315/52, 53, 56, 57, 58
See application file for complete search history.

(56) **References Cited**

U.S. PATENT DOCUMENTS

D532,532 S *	11/2006	Maxik	D26/2
D544,110 S *	6/2007	Hooker et al.	D26/2

1 Claim, 4 Drawing Sheets

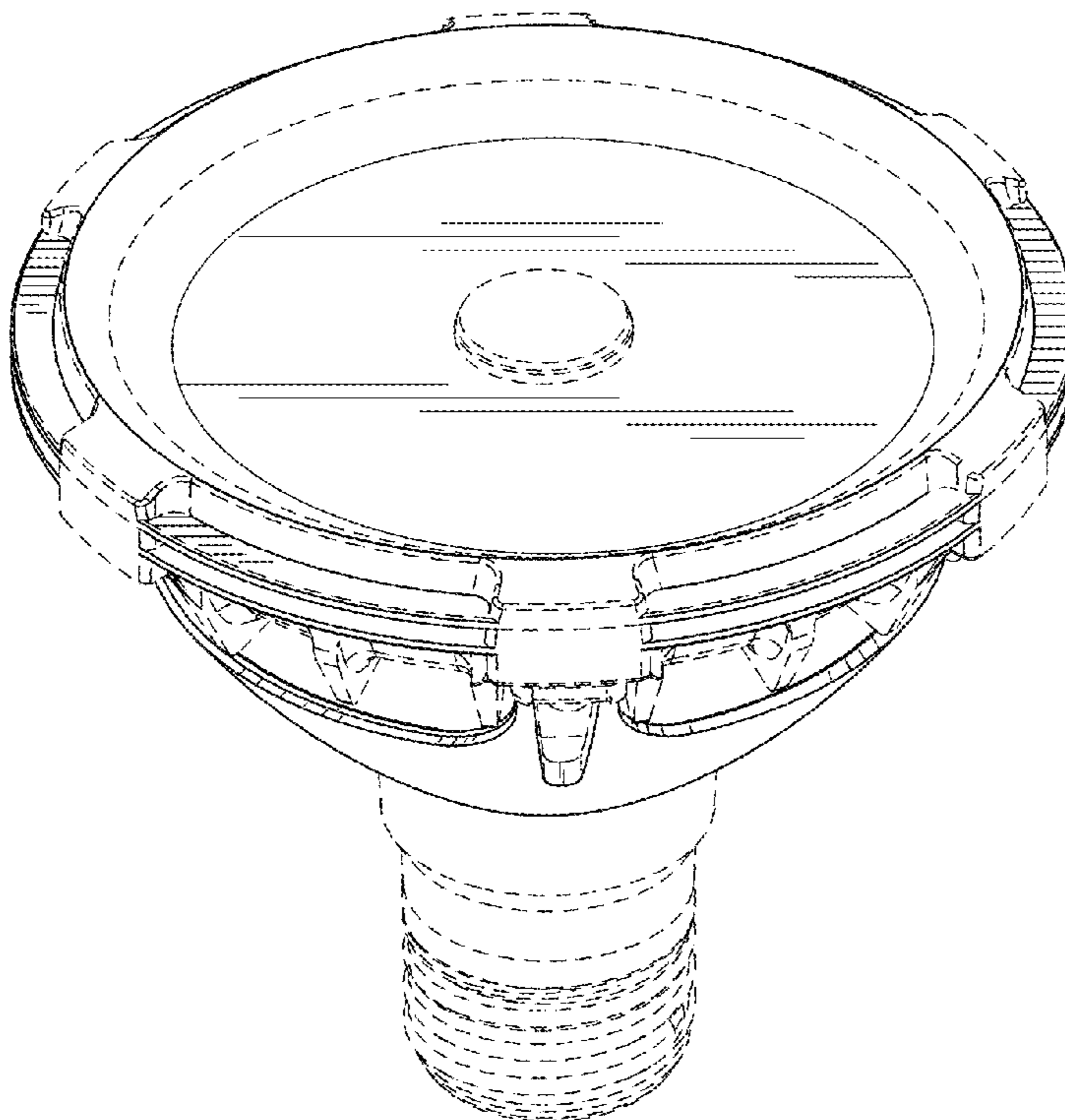


FIG. 1

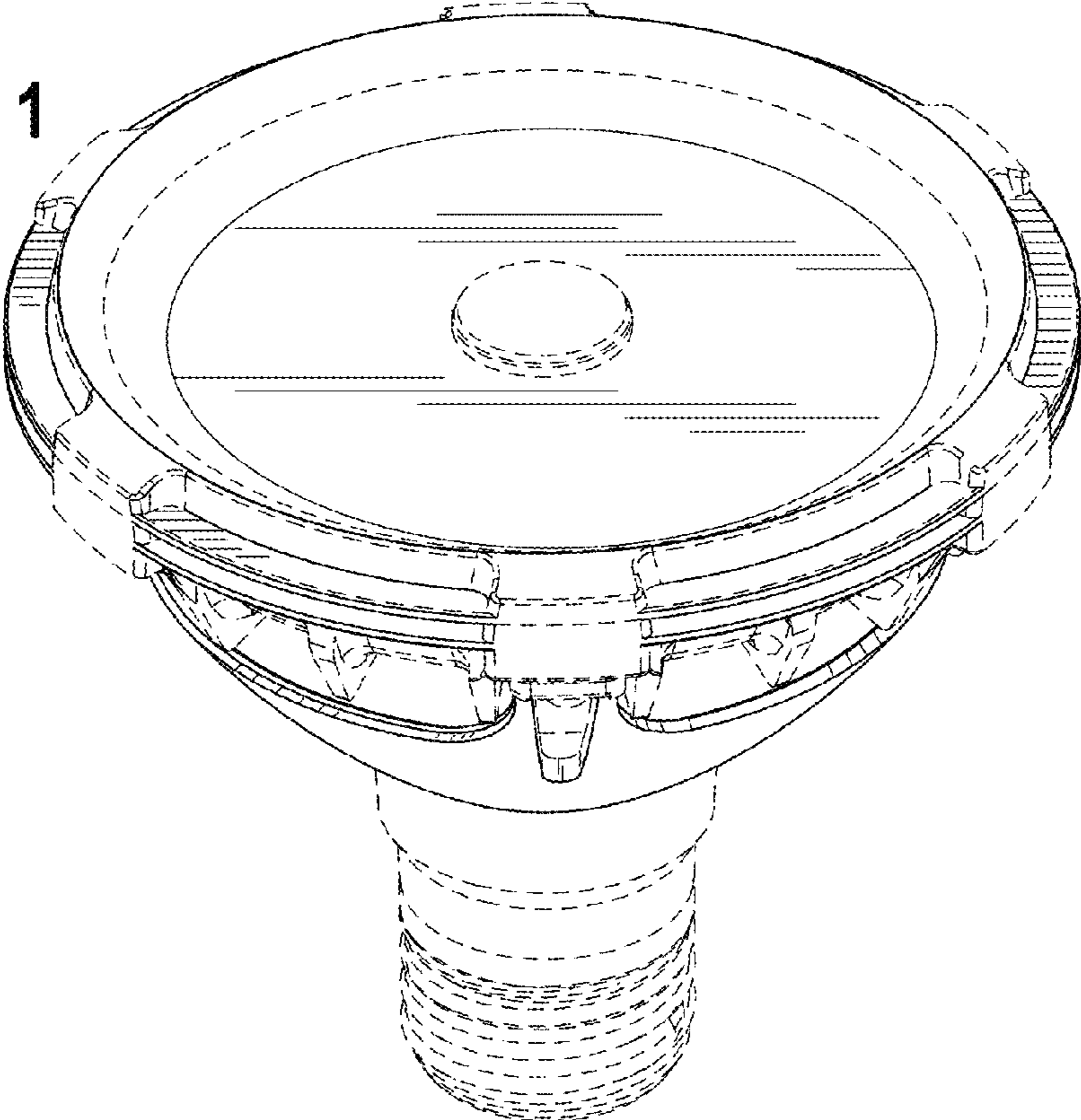


FIG. 2

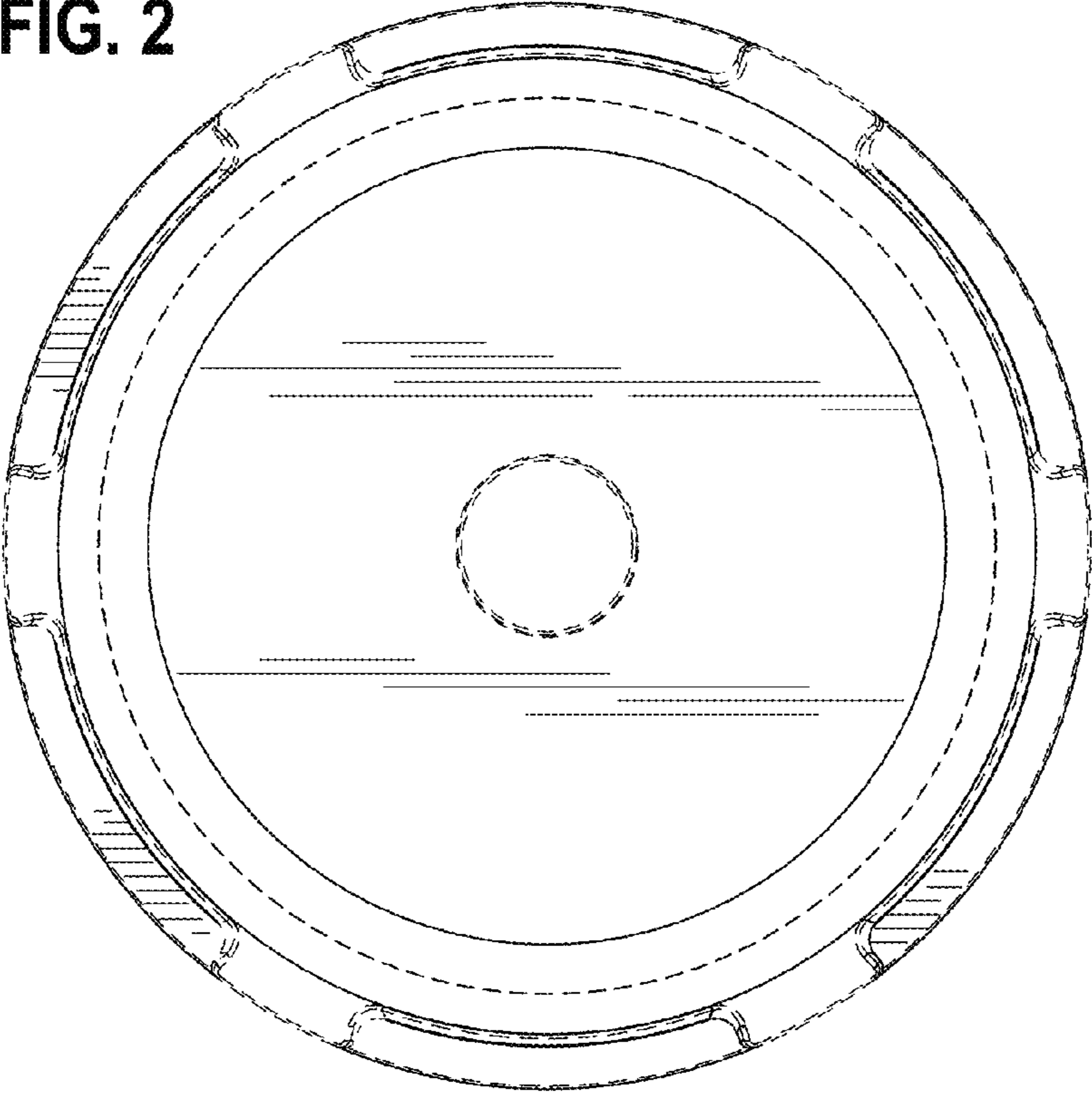


FIG. 3

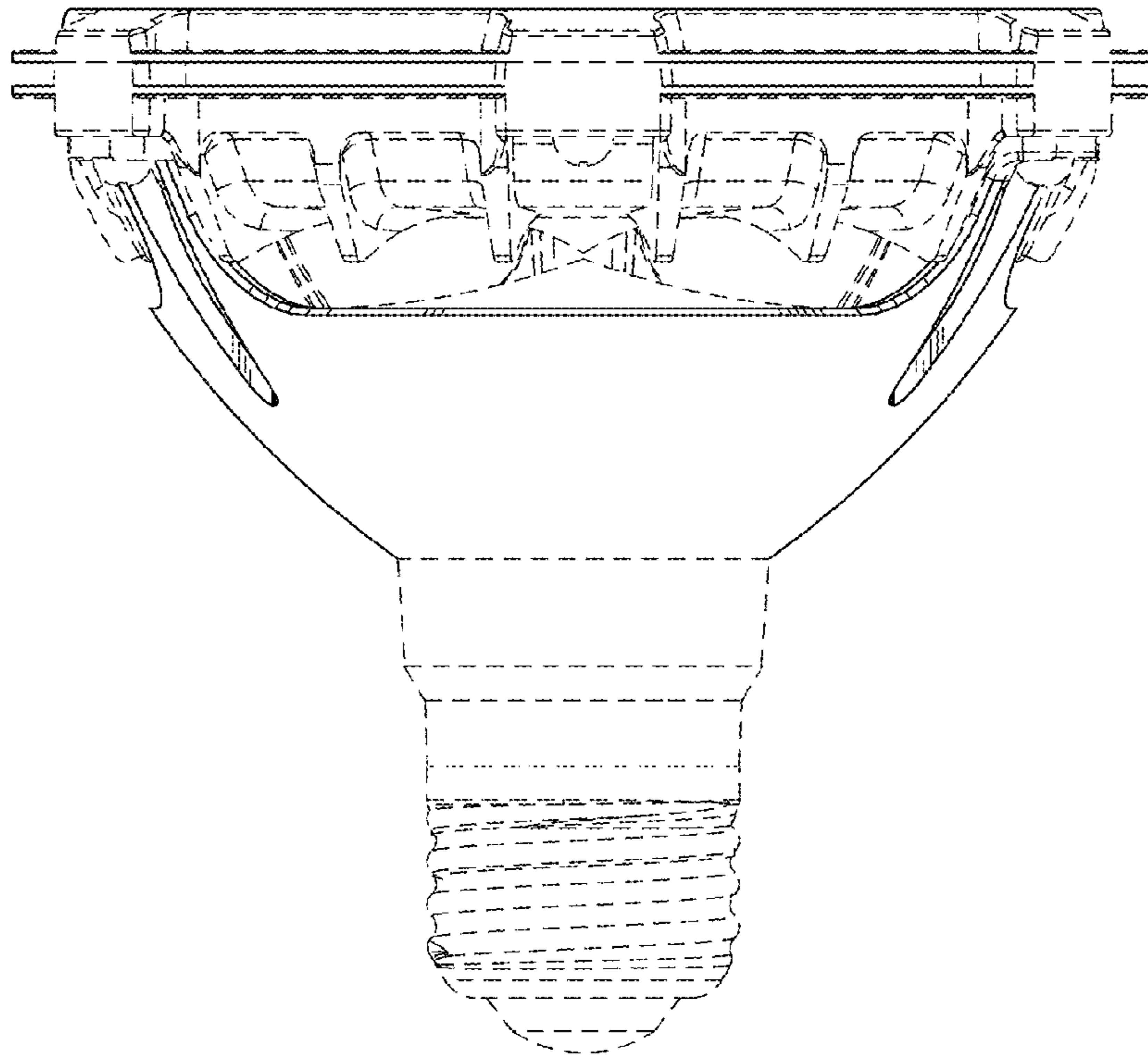


FIG. 4

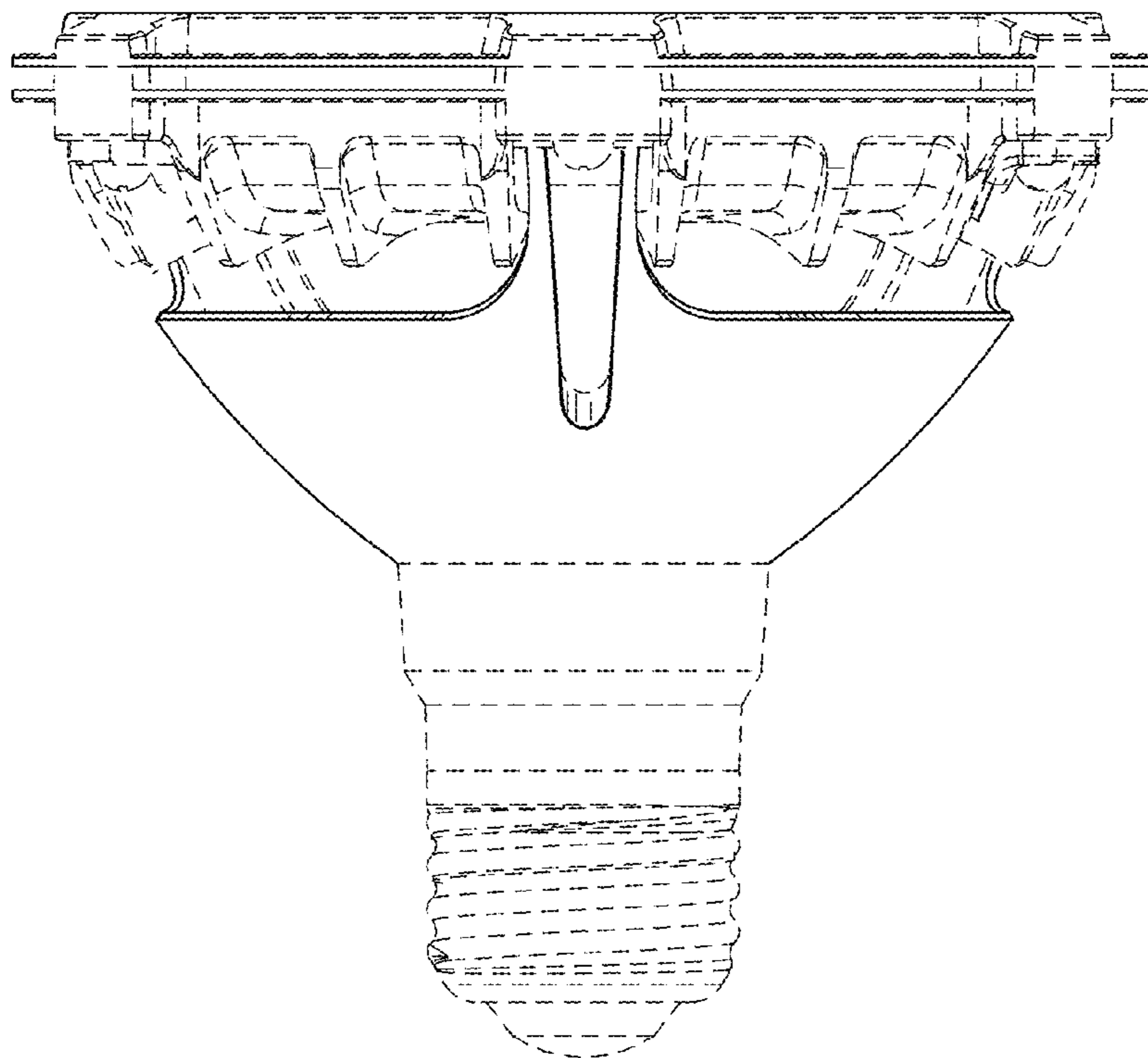


FIG. 5

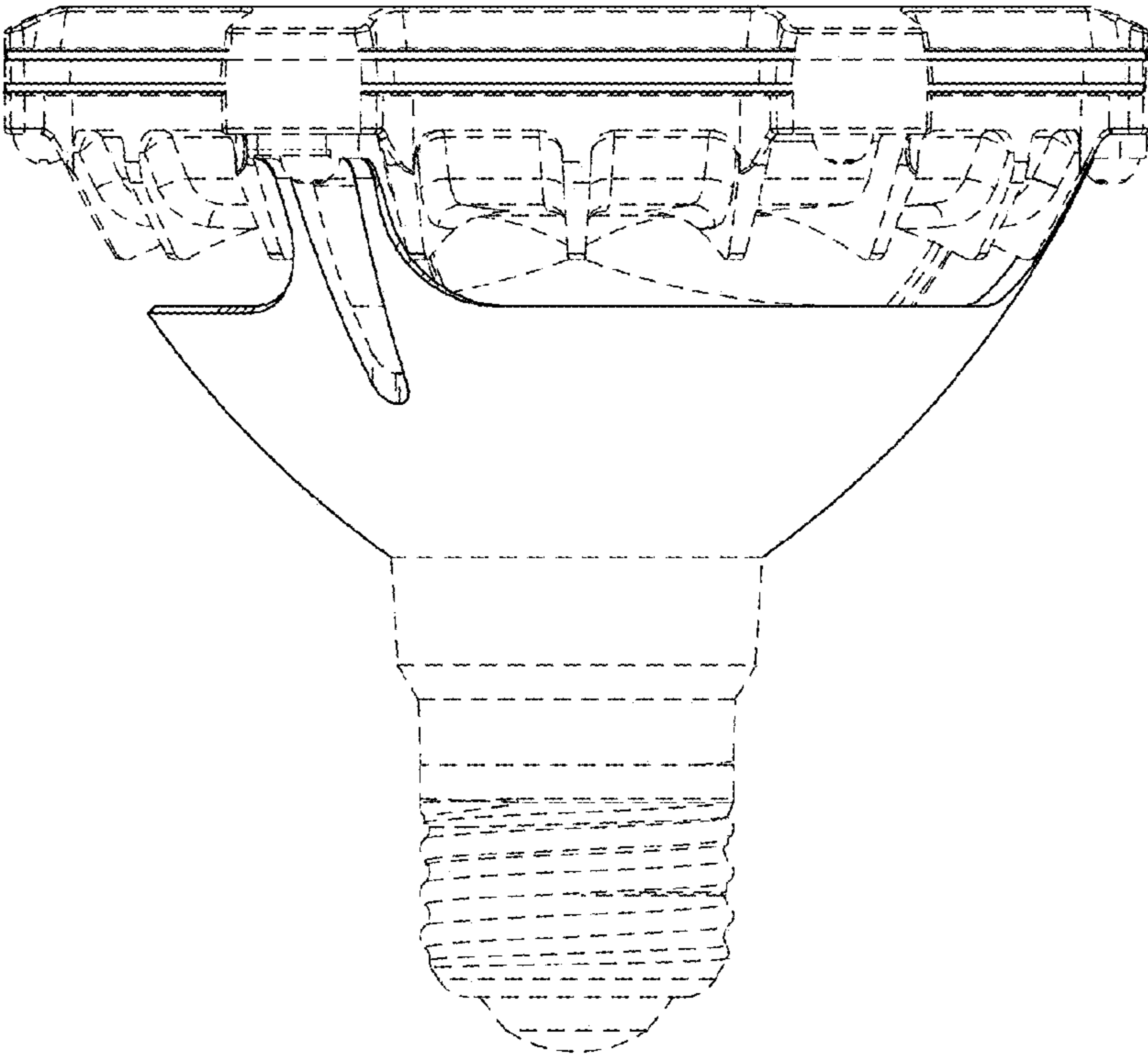


FIG. 6

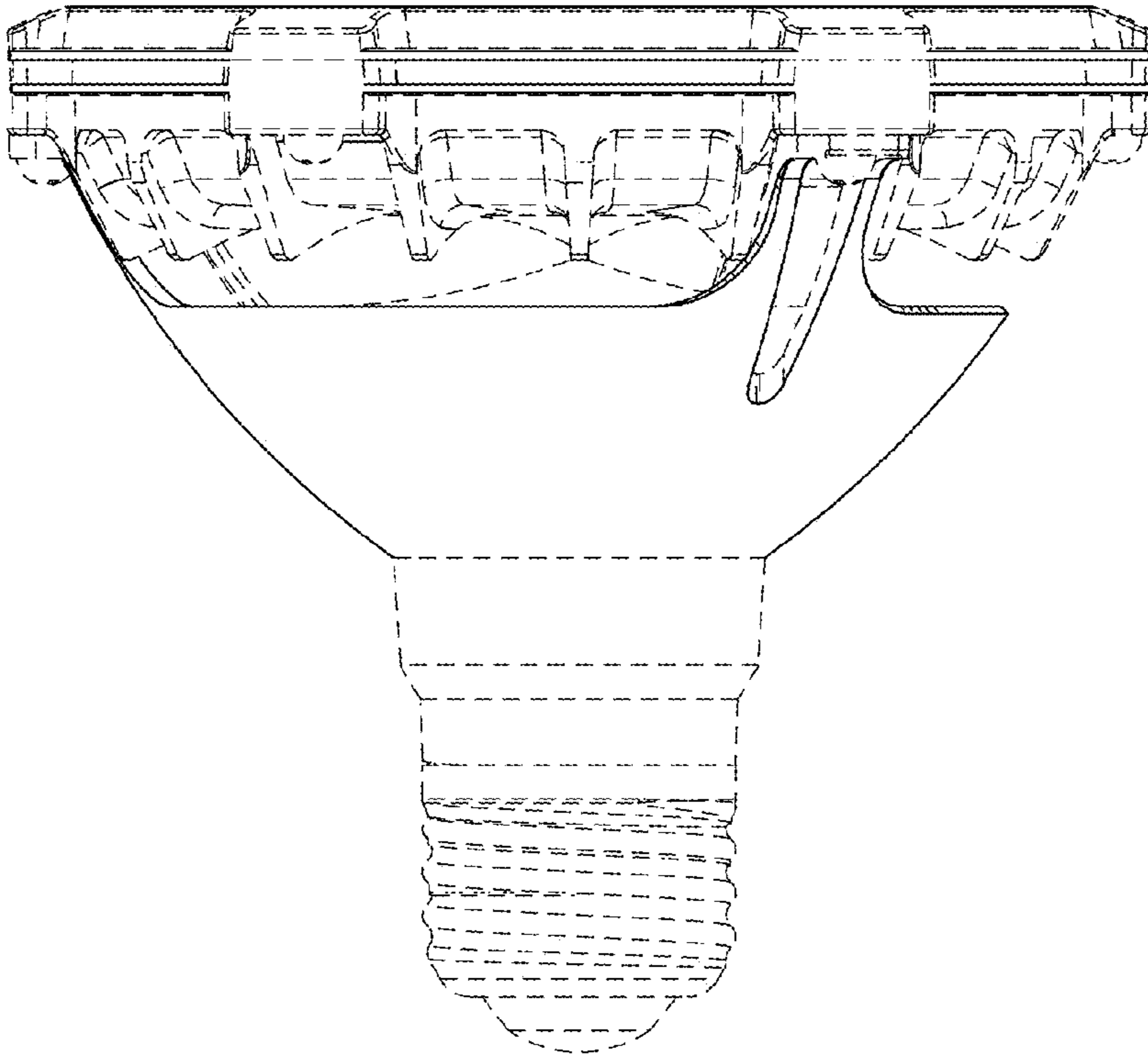


FIG. 7

