

US00D702376S

(12) **United States Design Patent**
Su

(10) **Patent No.:** **US D702,376 S**

(45) **Date of Patent:** **** Apr. 8, 2014**

(54) **LIGHT EMITTING DIODE LAMP**

D582,578 S * 12/2008 Tsai et al. D26/2
D593,223 S * 5/2009 Komar D26/2
D687,978 S * 8/2013 Jeon et al. D26/2

(71) Applicant: **Cal-Comp Electronics & Communications Company Limited**,
New Taipei (TW)

FOREIGN PATENT DOCUMENTS

(72) Inventor: **Ching-Yu Su**, New Taipei (TW)

TW D150726 12/2012

* cited by examiner

(73) Assignee: **Cal-Comp Electronics & Communications Company Limited**,
New Taipei (TW)

Primary Examiner — Marcus Jackson

(74) *Attorney, Agent, or Firm* — Jianq Chyun IP Office

(**) Term: **14 Years**

(57) **CLAIM**

(21) Appl. No.: **29/452,742**

The ornamental design for a light emitting diode lamp, as shown and described.

(22) Filed: **Apr. 22, 2013**

DESCRIPTION

(51) **LOC (10) Cl.** **26-04**

(52) **U.S. Cl.**
USPC **D26/2**

(58) **Field of Classification Search**
USPC D26/1-4; 313/313, 315, 316, 317, 318,
313/493; 315/52, 53, 56, 57, 58
See application file for complete search history.

FIG. 1 is a perspective view of a light emitting diode lamp showing my new design;
FIG. 2 is another perspective view thereof;
FIG. 3 is a front view thereof;
FIG. 4 is a rear view thereof;
FIG. 5 is a left side view thereof;
FIG. 6 is a right side view thereof;
FIG. 7 is a top view thereof; and,
FIG. 8 is a bottom view thereof.

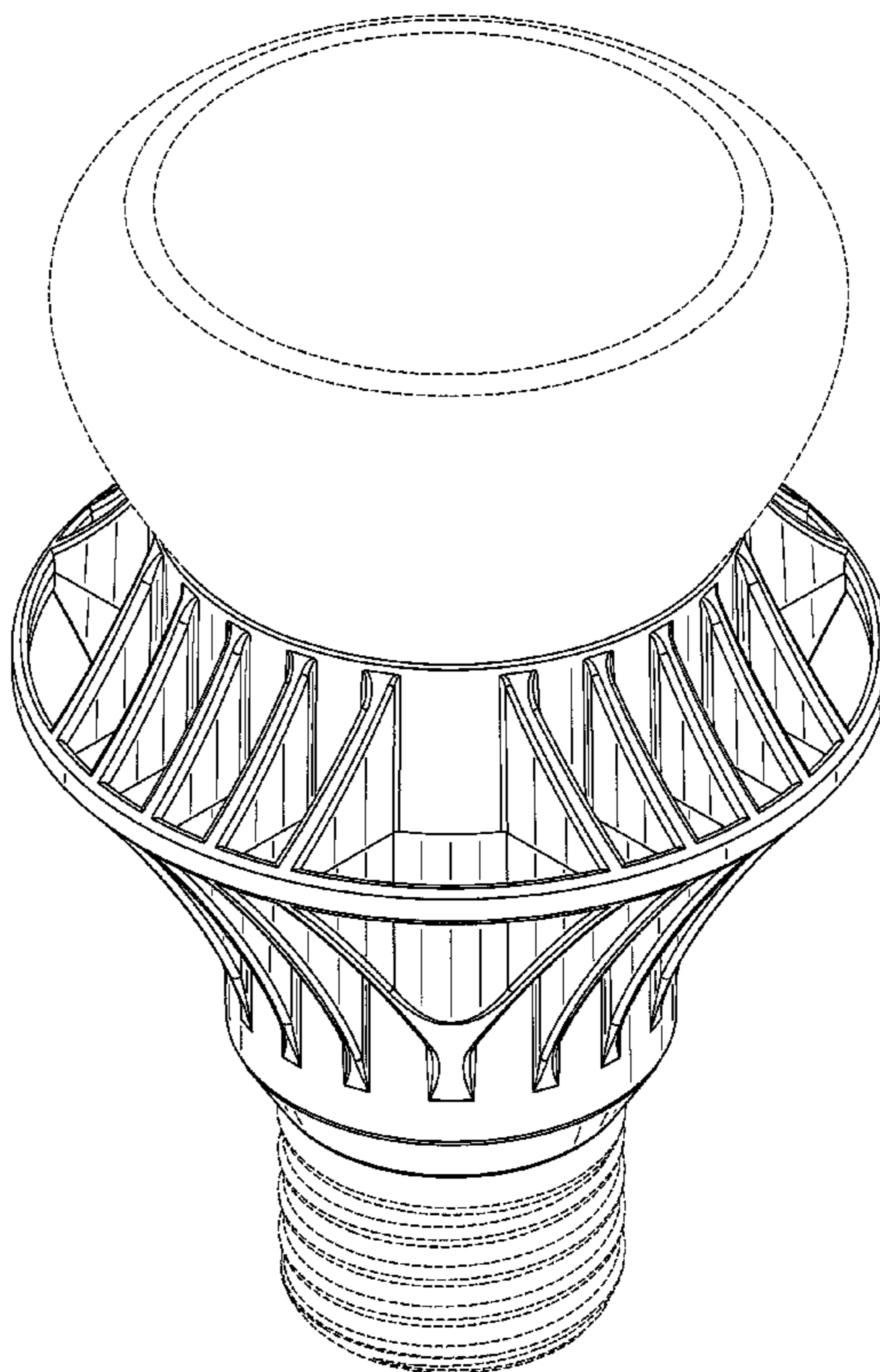
The broken line portions of the headphone in FIGS. 1-8 represent unclaimed portions of the claimed design and form no part thereof.

(56) **References Cited**

U.S. PATENT DOCUMENTS

D542,943 S * 5/2007 Wang D26/2
D546,980 S * 7/2007 Lo D26/2
D549,854 S * 8/2007 Takahashi D26/2
D566,300 S * 4/2008 Lo D26/2

1 Claim, 8 Drawing Sheets



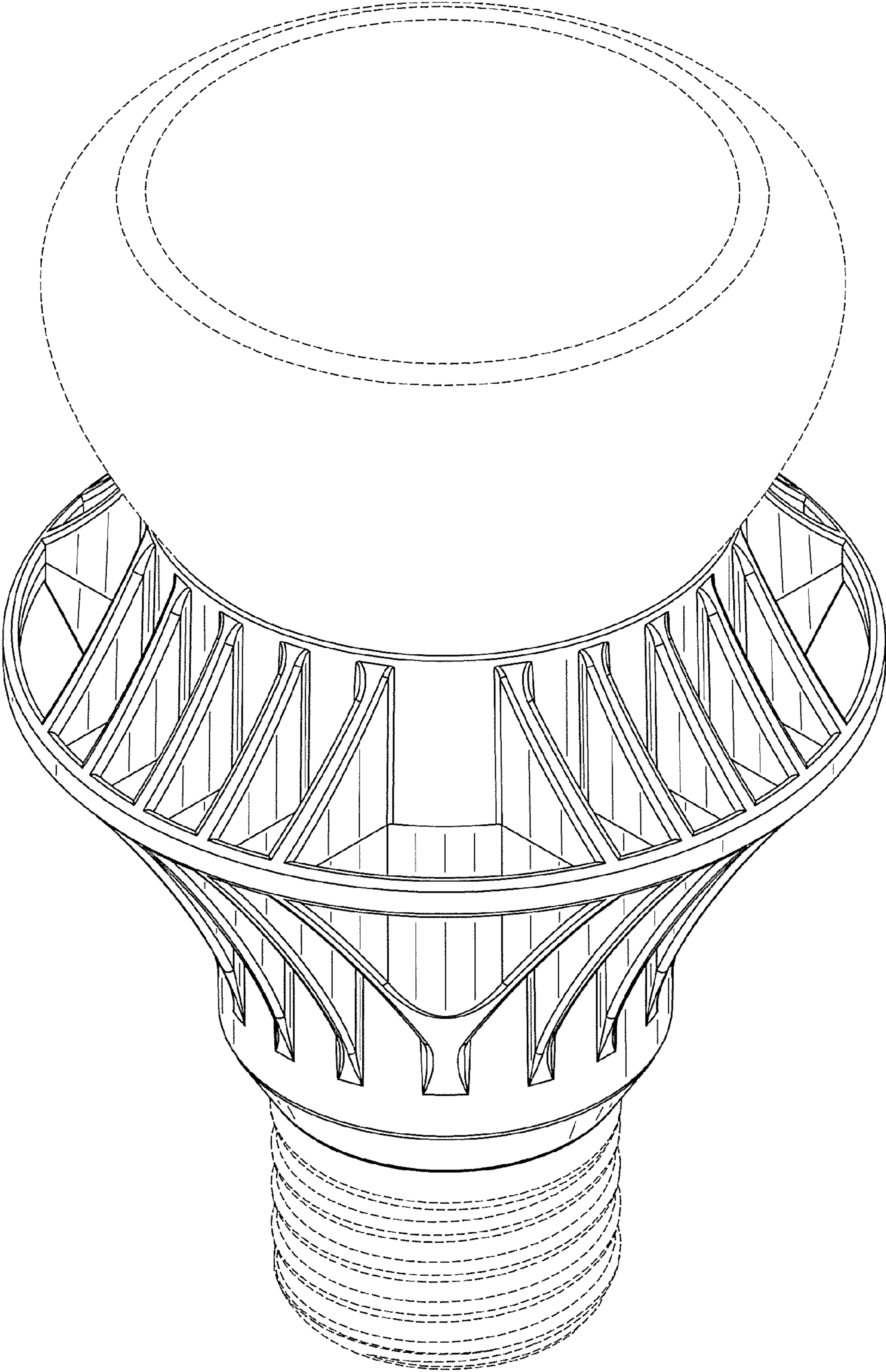


FIG. 1

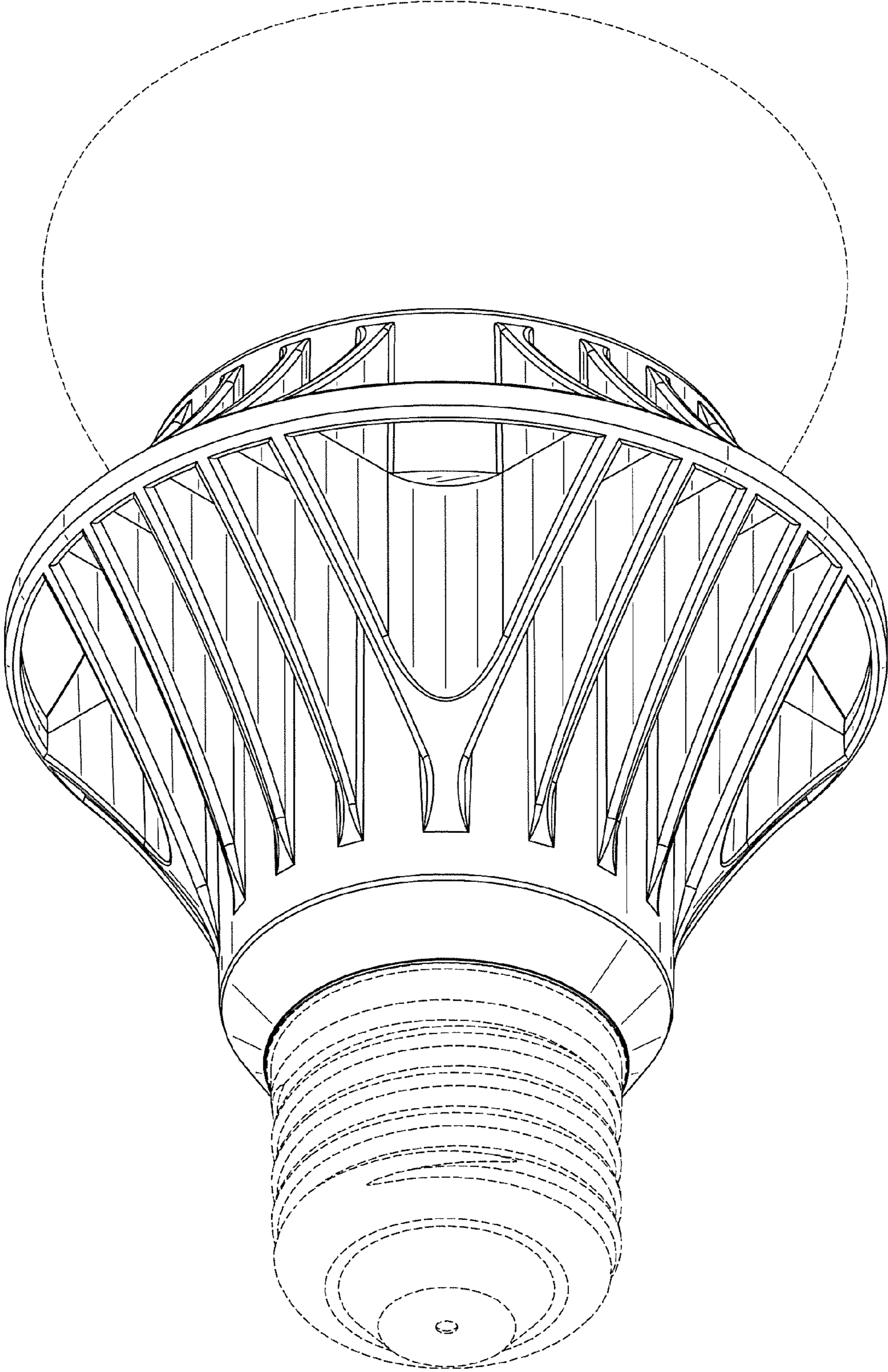


FIG. 2

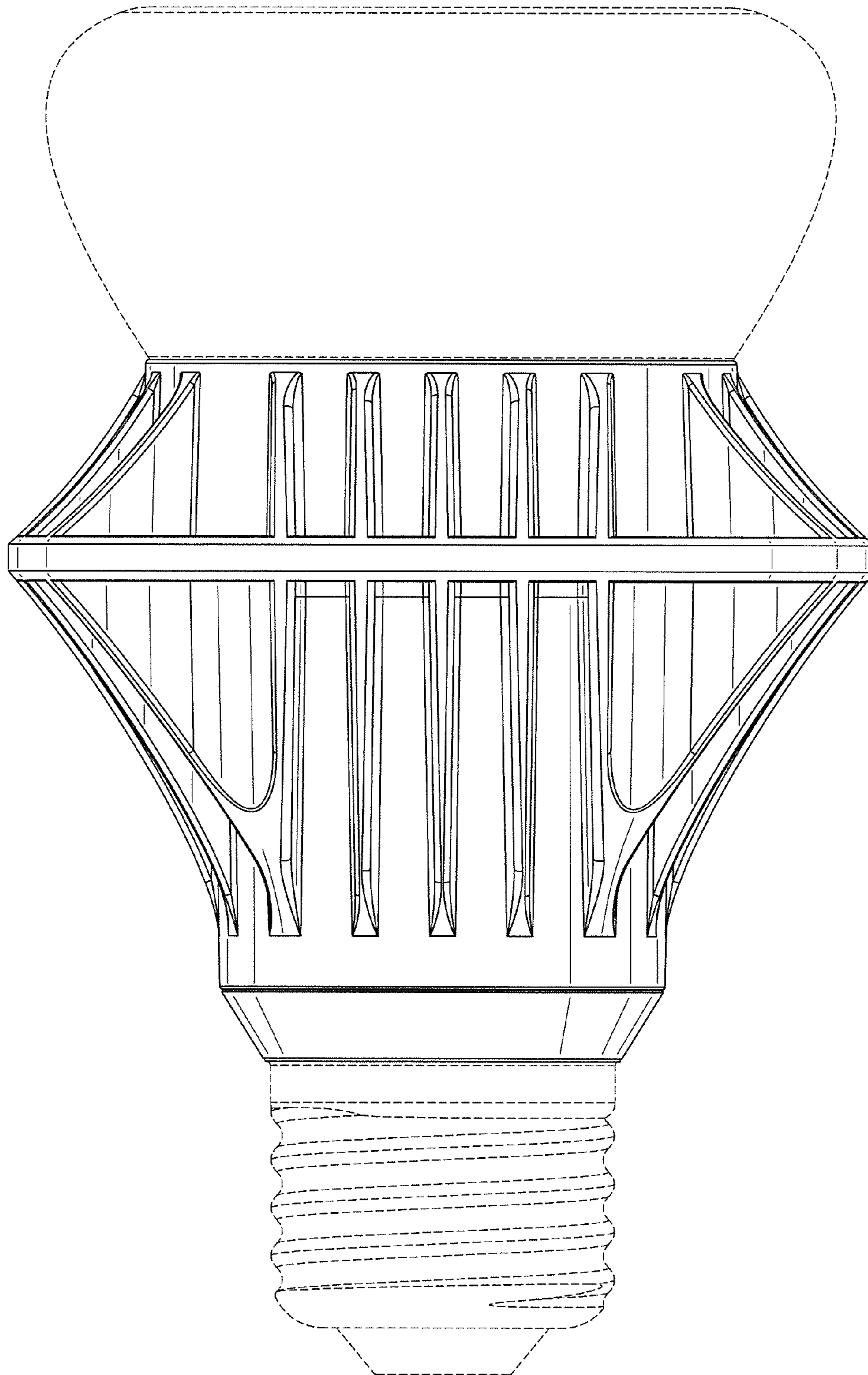


FIG. 3

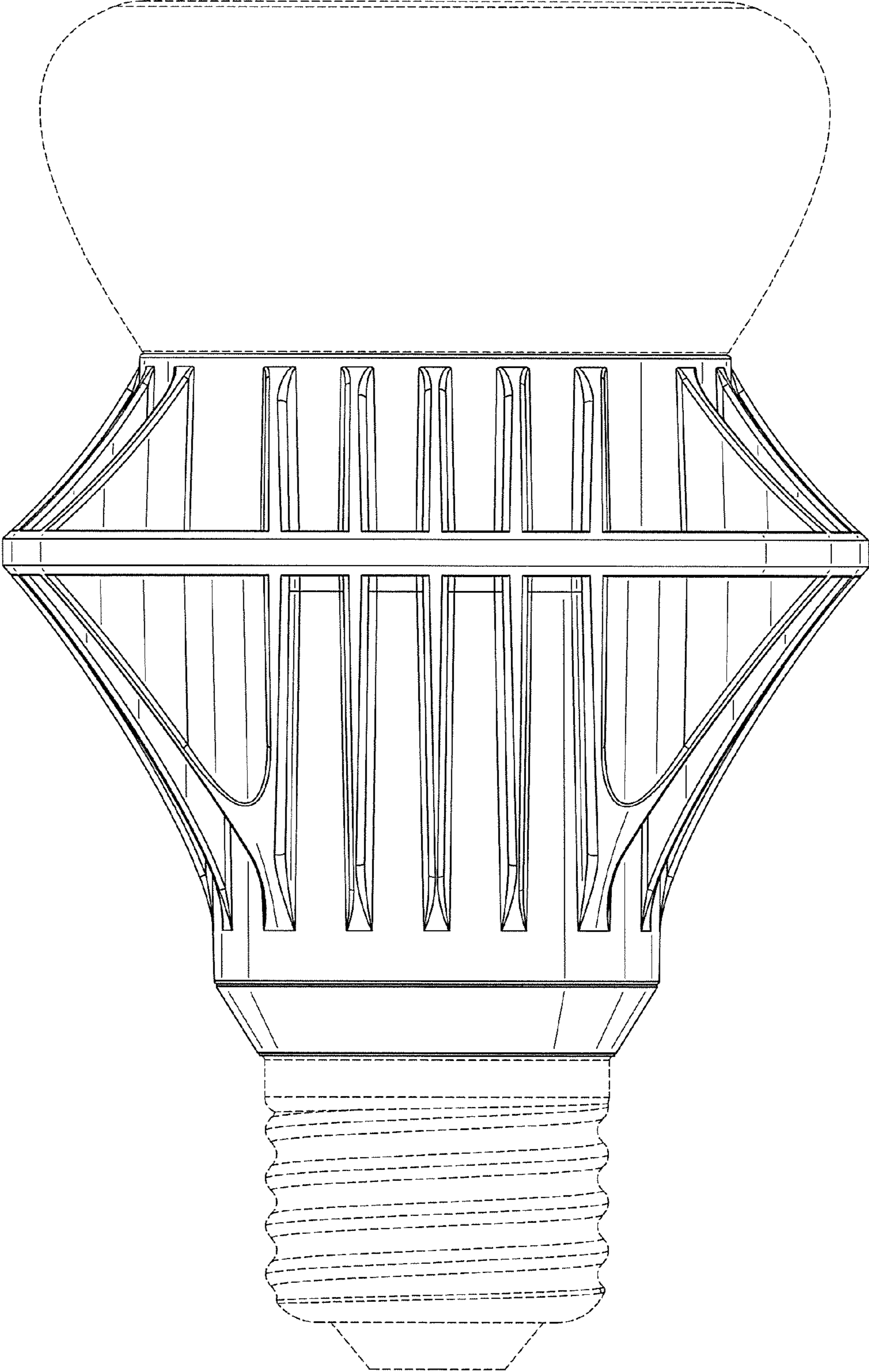


FIG. 4

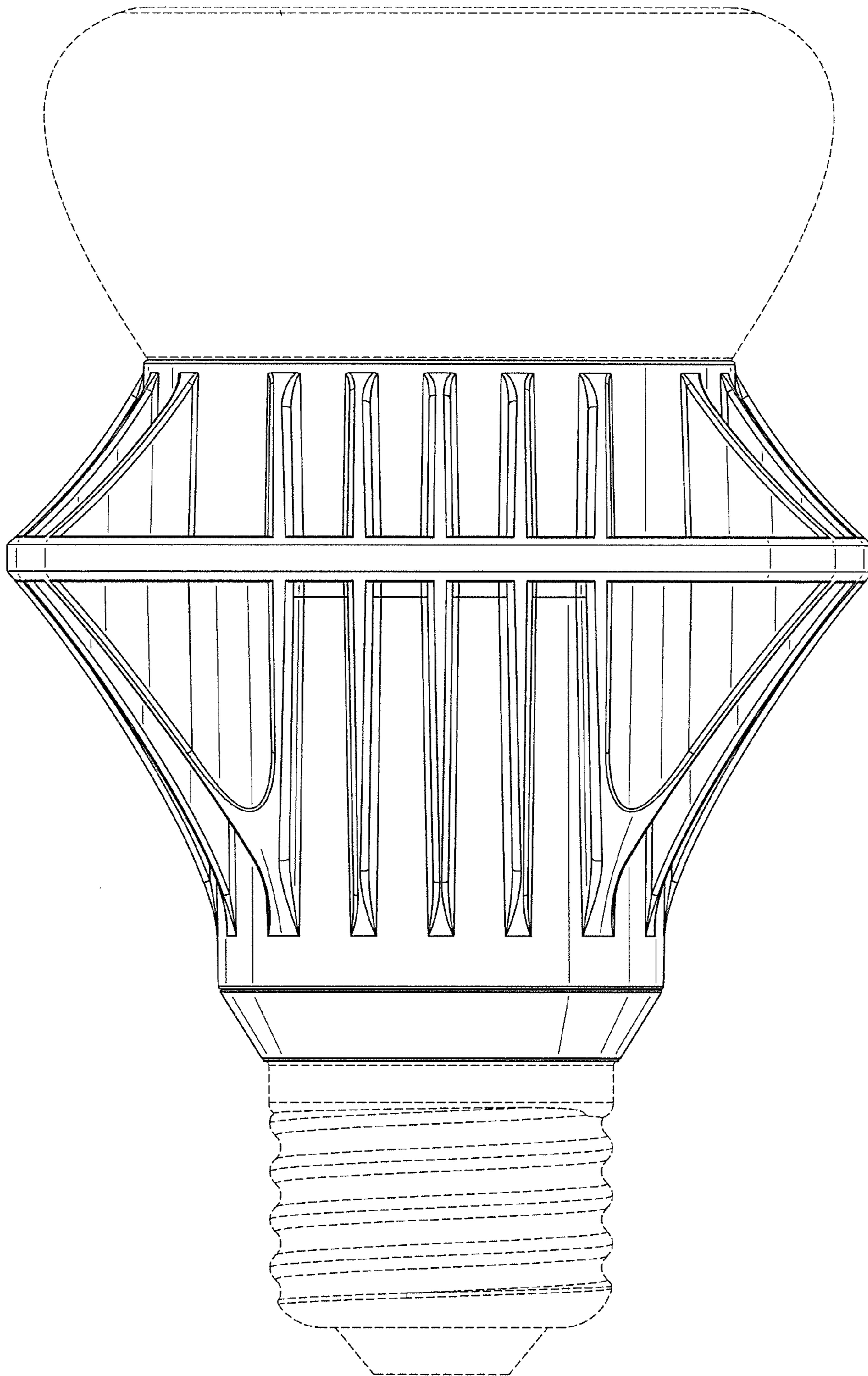


FIG. 5

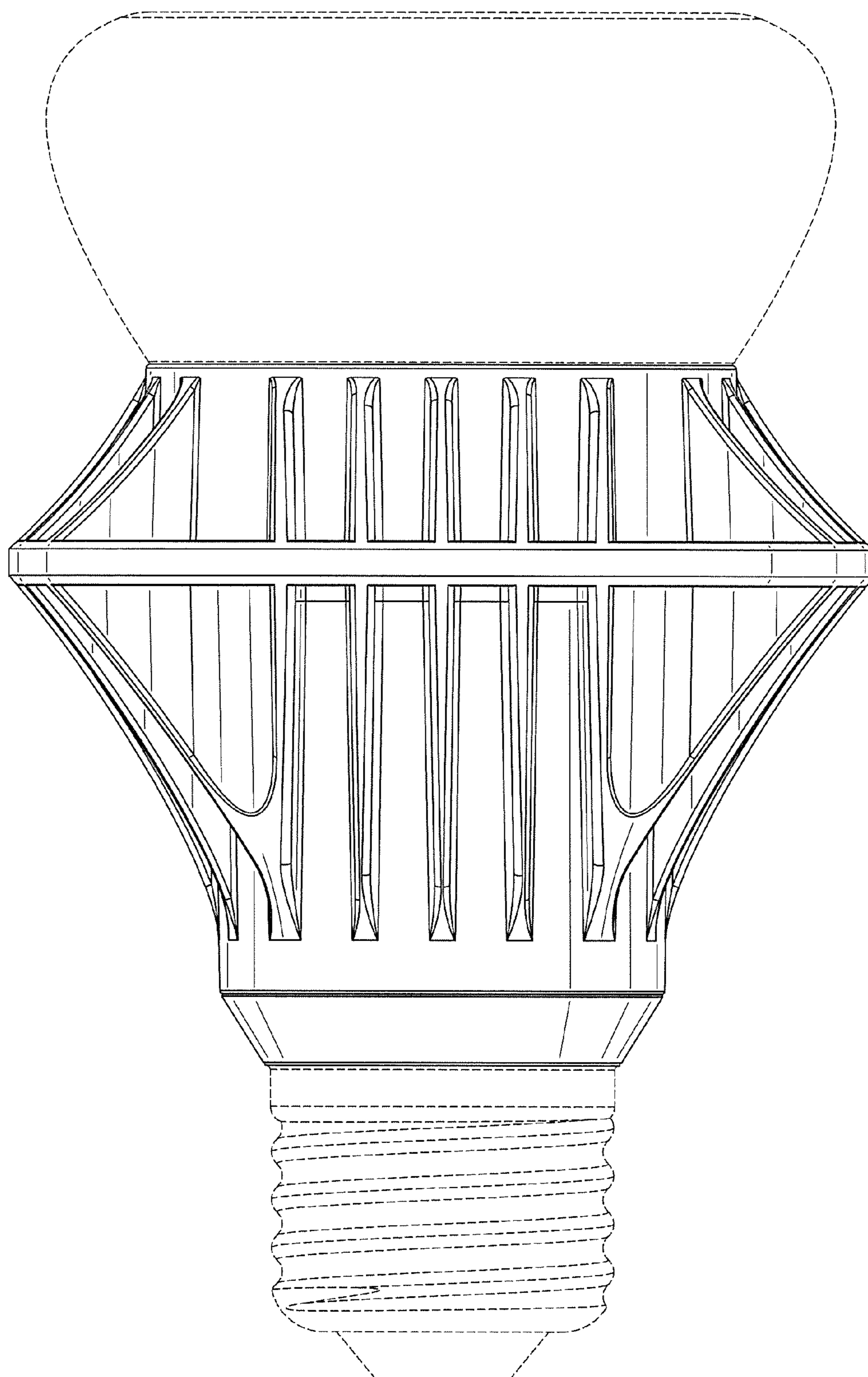


FIG. 6

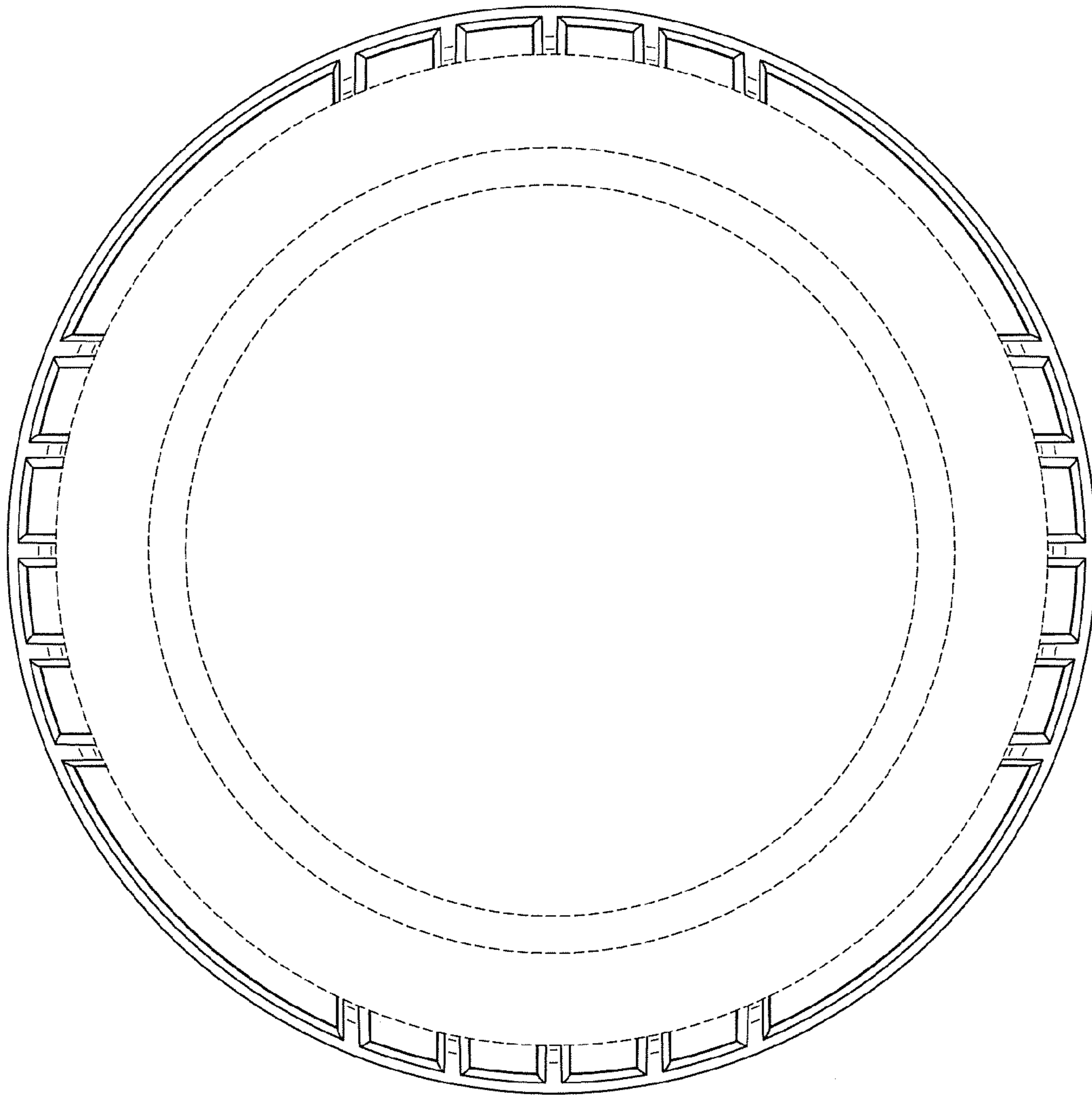


FIG. 7

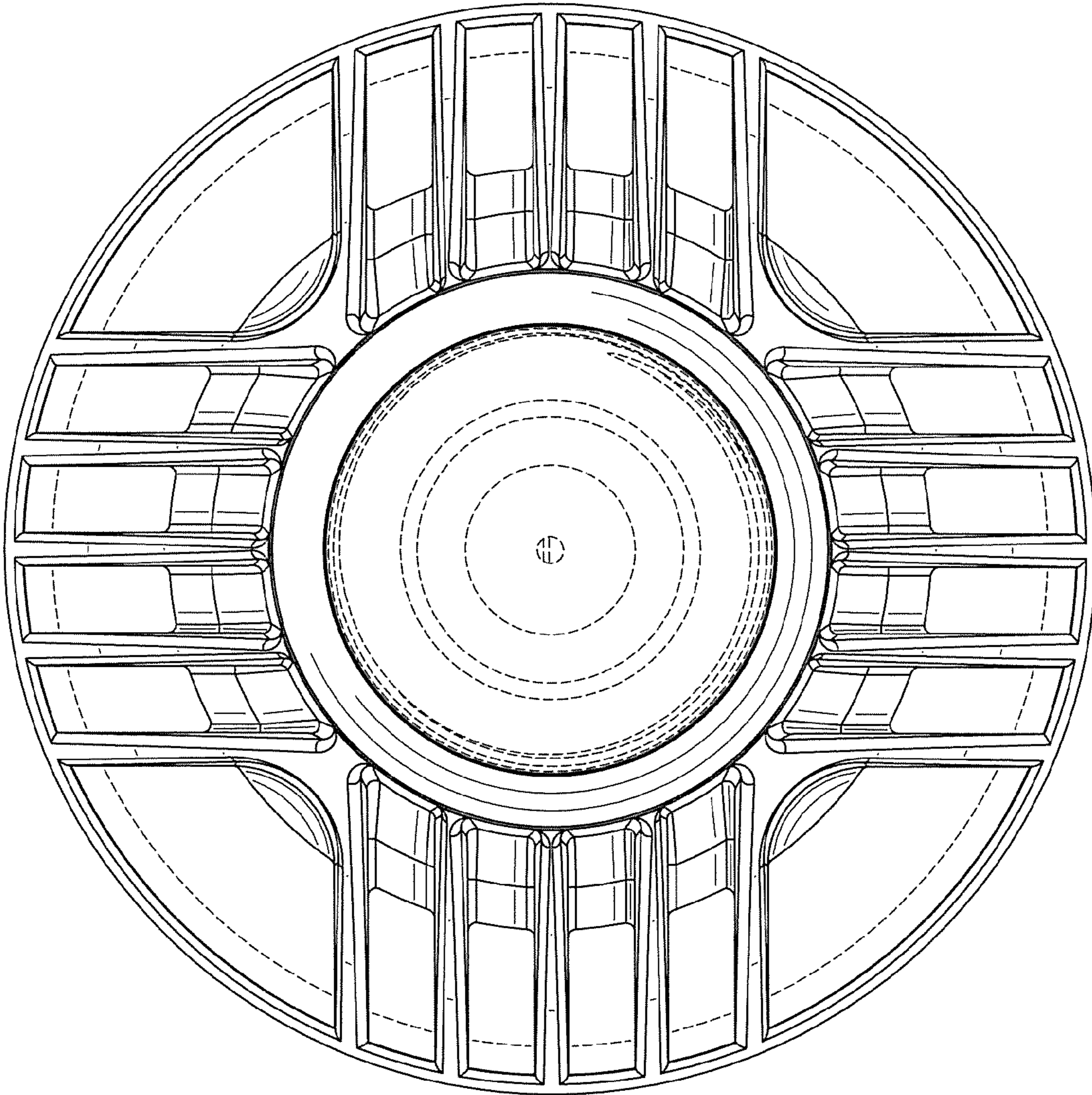


FIG. 8