



US00D702374S

(12) **United States Design Patent**  
**Su**

(10) **Patent No.:** **US D702,374 S**

(45) **Date of Patent:** **\*\* Apr. 8, 2014**

(54) **LIGHT EMITTING DIODE LAMP**

D648,461 S \* 11/2011 Kim et al. .... D26/2  
D653,366 S \* 1/2012 Le et al. .... D26/2  
D689,632 S \* 9/2013 Rochat et al. .... D26/2

(71) Applicant: **Cal-Comp Electronics & Communications Company Limited**,  
New Taipei (TW)

**FOREIGN PATENT DOCUMENTS**

(72) Inventor: **Ching-Yu Su**, New Taipei (TW)

TW D146914 5/2012  
TW D150726 12/2012

(73) Assignee: **Cal-Comp Electronics & Communications Company Limited**,  
New Taipei (TW)

\* cited by examiner

*Primary Examiner* — Marcus Jackson

(74) *Attorney, Agent, or Firm* — Jianq Chyun IP Office

(\*\*) Term: **14 Years**

(57) **CLAIM**

(21) Appl. No.: **29/452,010**

The ornamental design for a light emitting diode lamp, as shown and described.

(22) Filed: **Apr. 11, 2013**

**DESCRIPTION**

(51) **LOC (10) Cl.** ..... **26-04**

(52) **U.S. Cl.**

USPC ..... **D26/2**

(58) **Field of Classification Search**

USPC ..... D26/1-4; 313/313, 315, 316, 317, 318,  
313/493; 315/52, 53, 56, 57, 58

See application file for complete search history.

FIG. 1 is a perspective view of a light emitting diode lamp showing an embodiment of our new design; FIG. 2 is another perspective view thereof; FIG. 3 is a front view thereof; FIG. 4 is a rear view thereof; FIG. 5 is a left side view thereof; FIG. 6 is a right side view thereof; FIG. 7 is a top view thereof; and, FIG. 8 is a bottom view thereof.

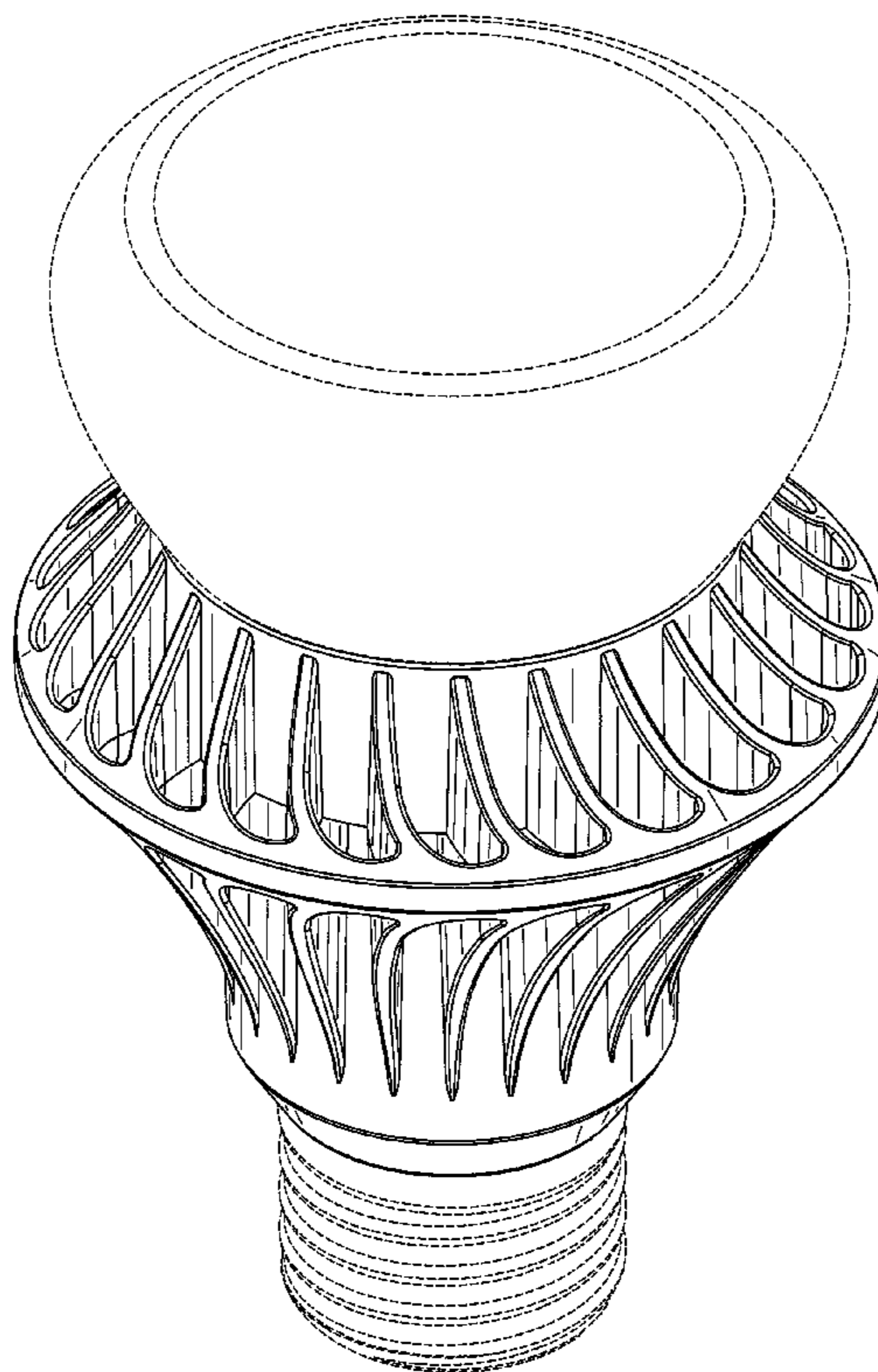
The broken line showing of the portion of the light emitting diode lamp is included for the purpose of illustrating only and forms no part of the claimed design.

(56) **References Cited**

**U.S. PATENT DOCUMENTS**

D632,406 S \* 2/2011 Wei ..... D26/2  
D647,222 S 10/2011 Le et al.  
D647,646 S 10/2011 Tsung

**1 Claim, 8 Drawing Sheets**



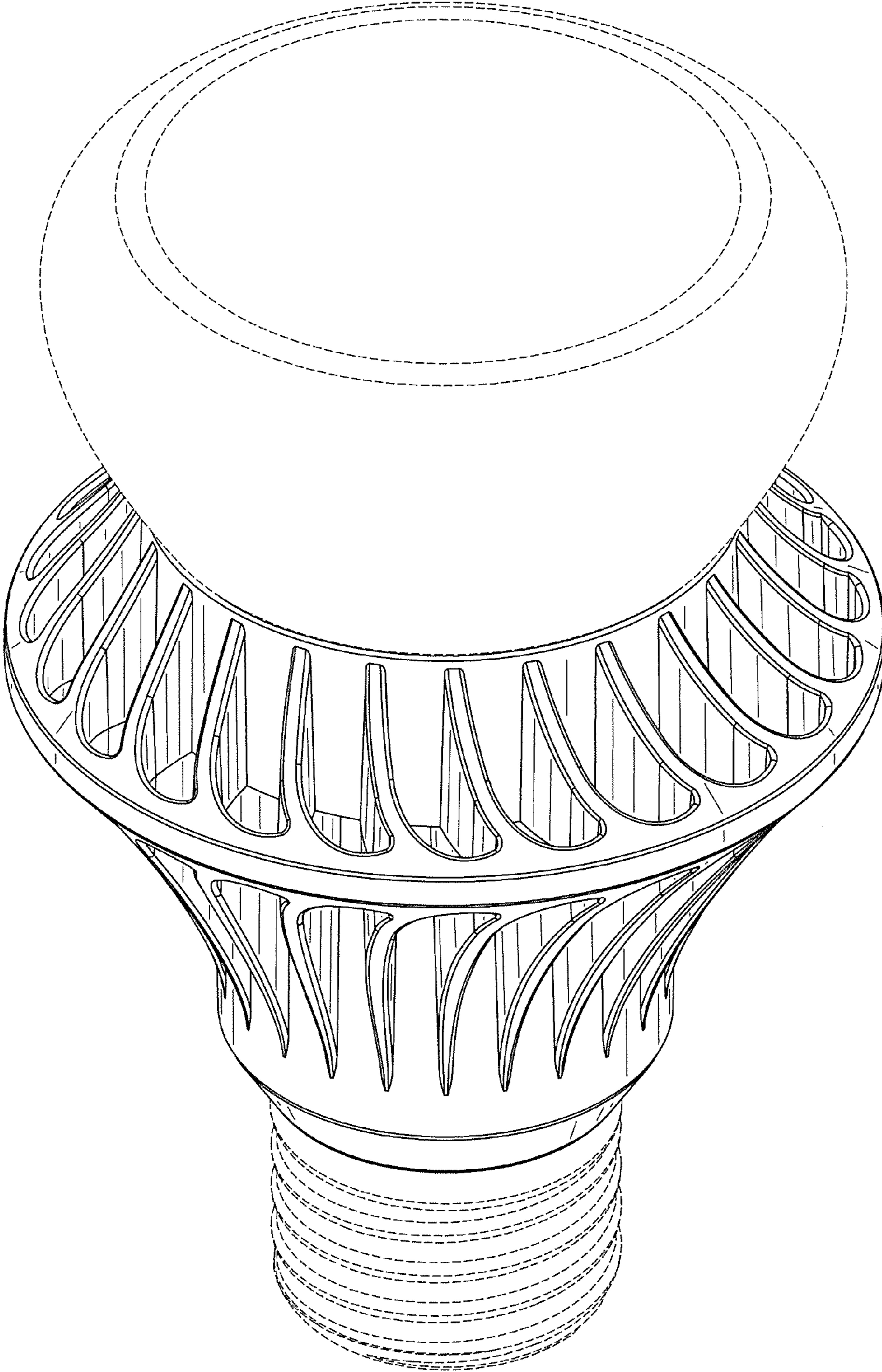


FIG. 1



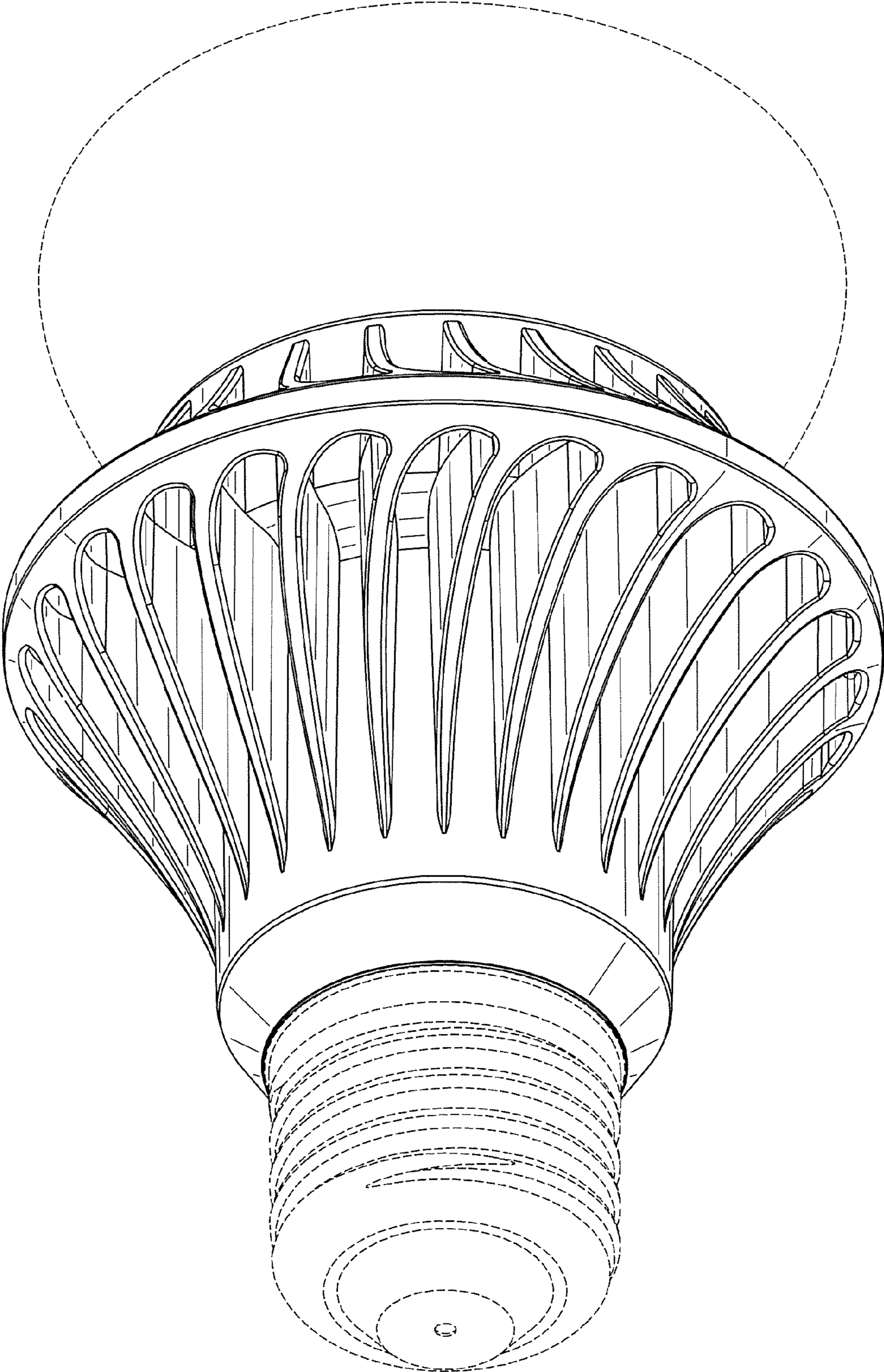


FIG. 2

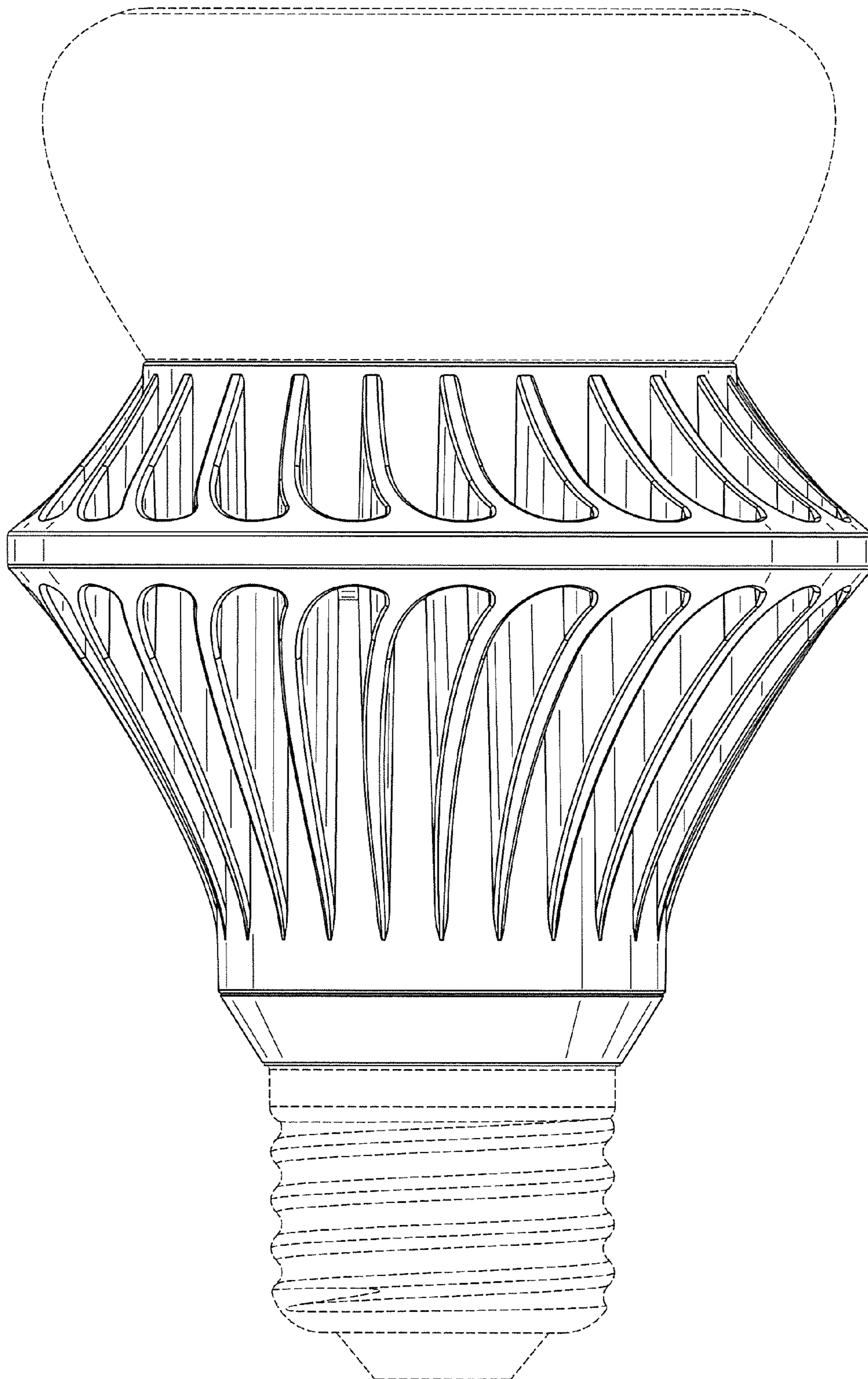


FIG. 3

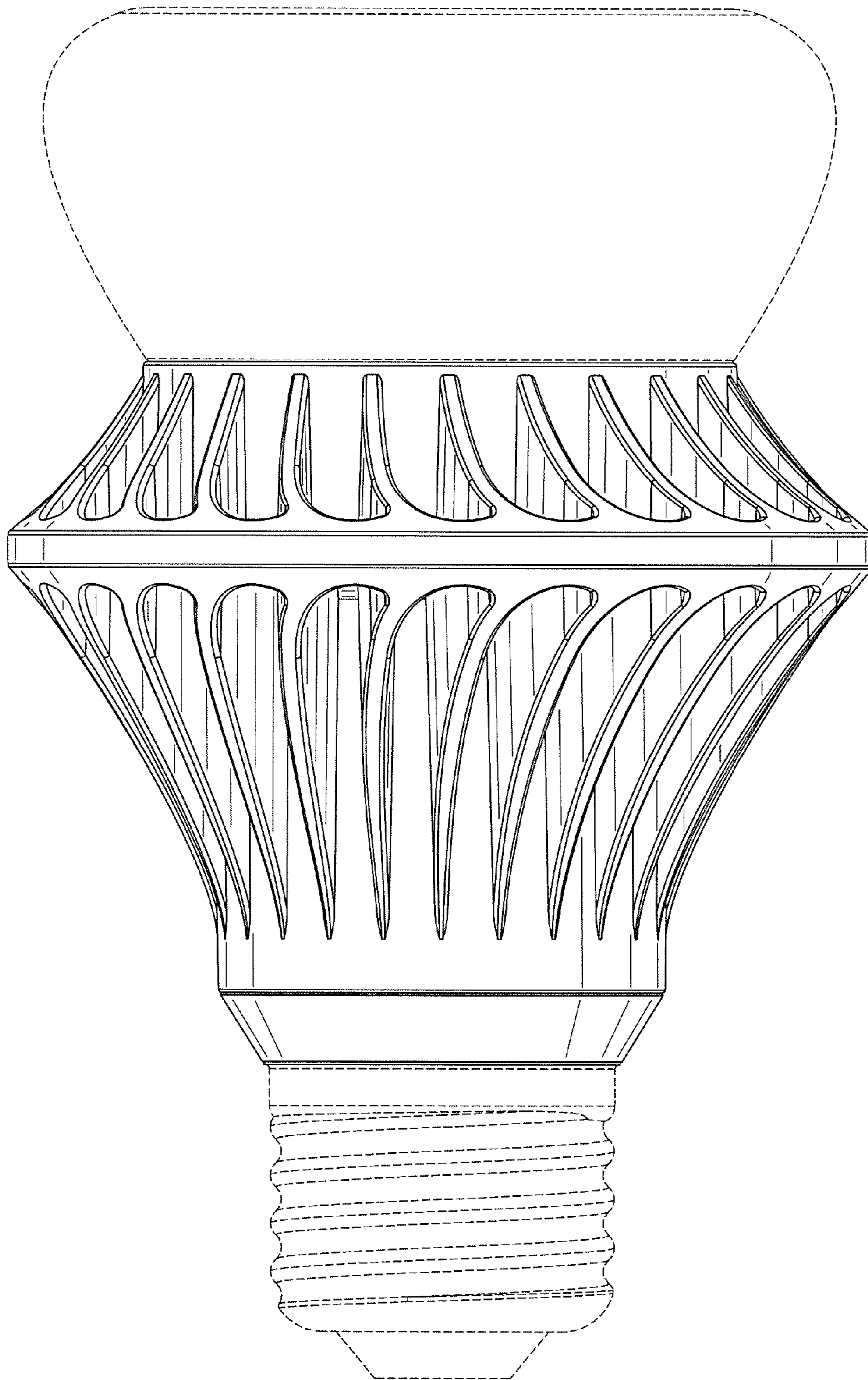


FIG. 4



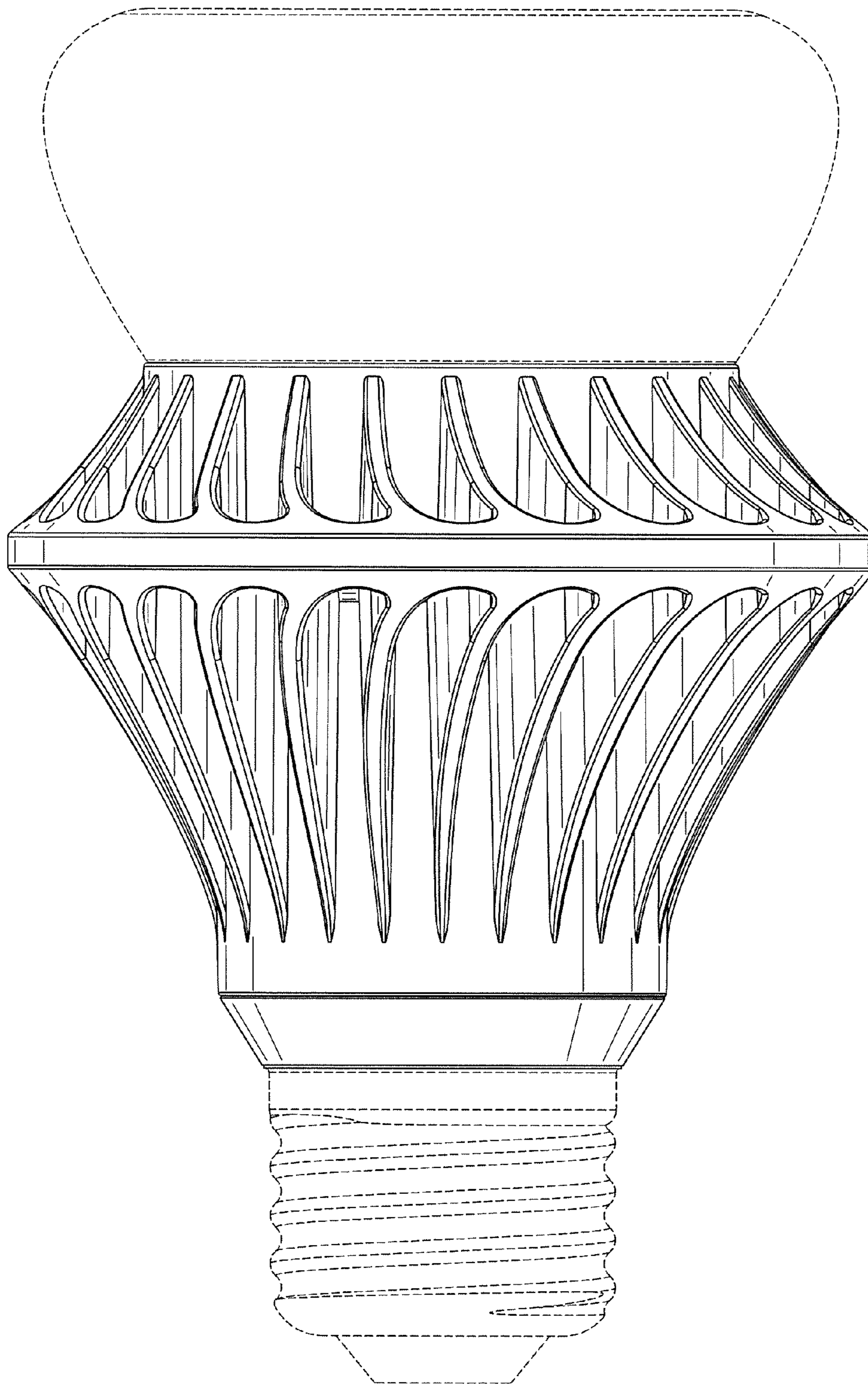


FIG. 5

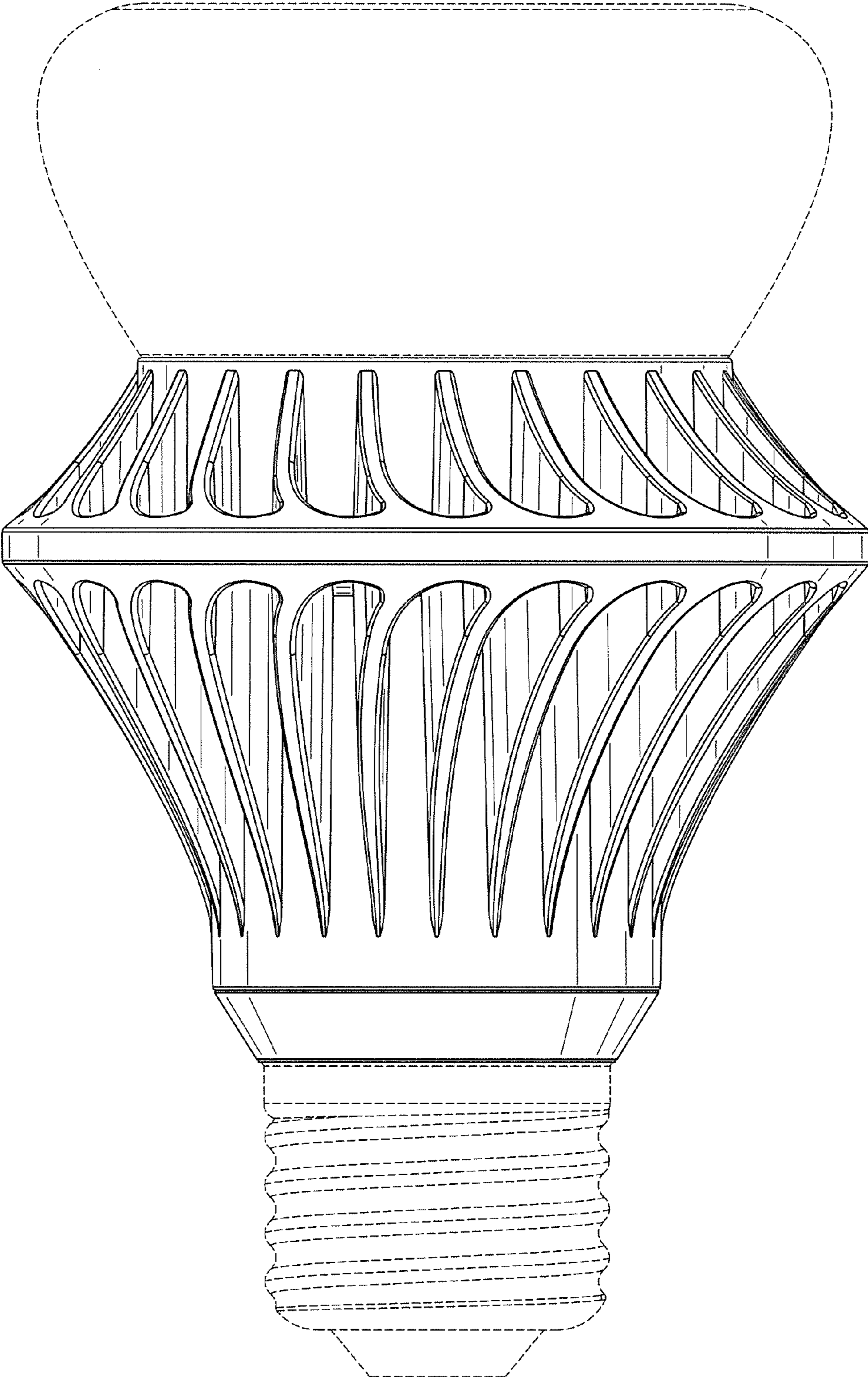


FIG. 6

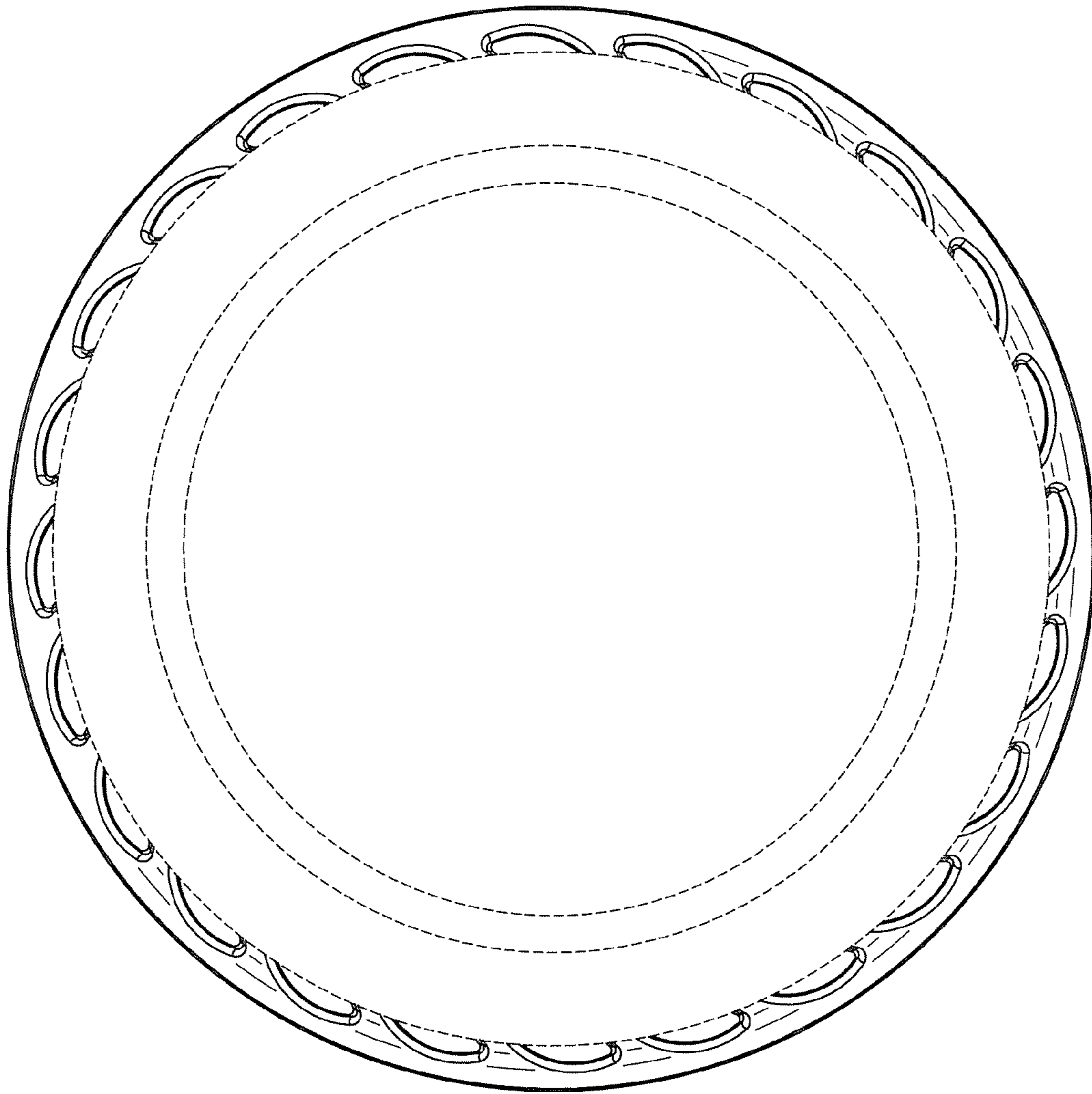


FIG. 7



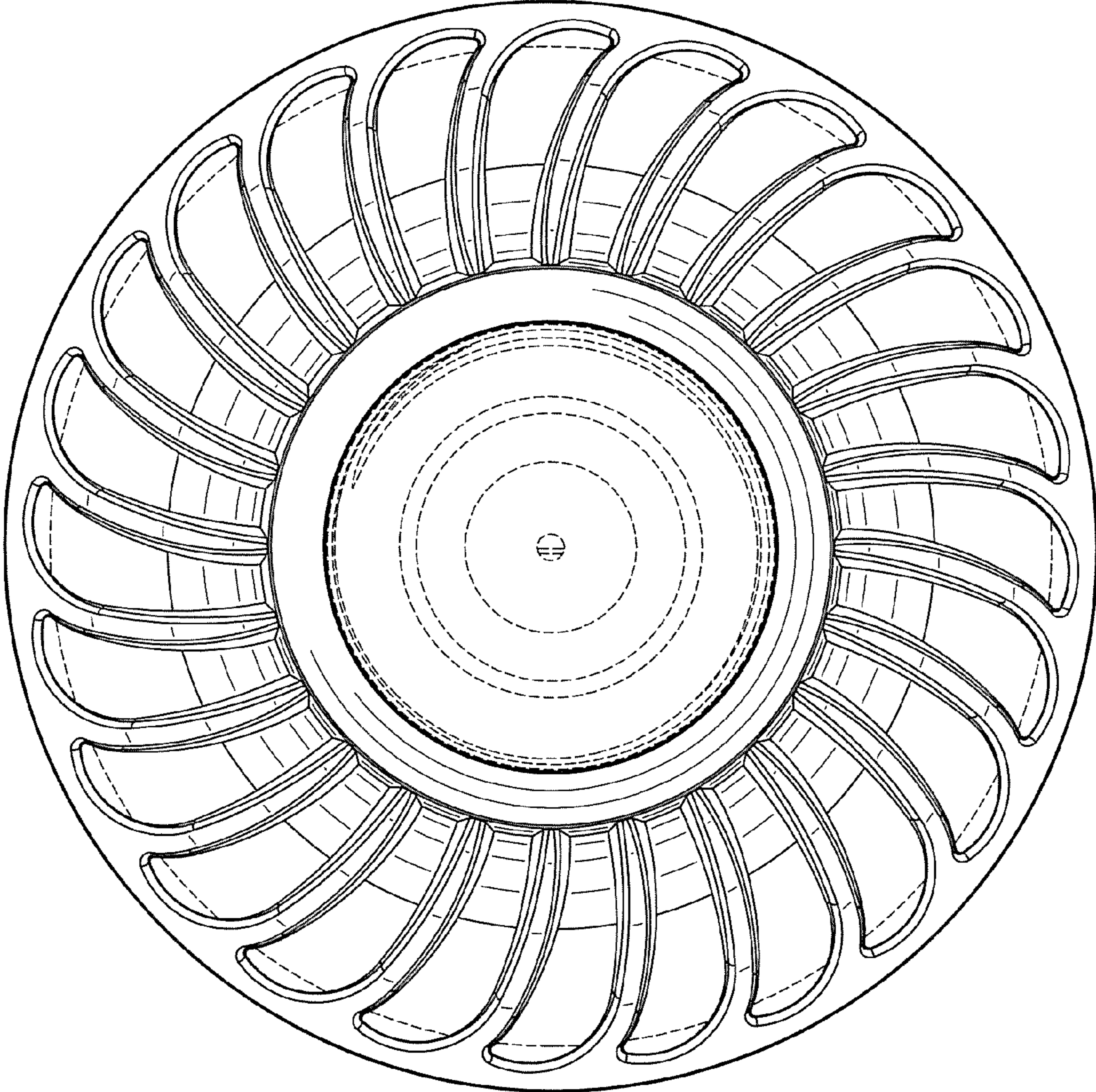


FIG. 8