



US00D702373S

(12) **United States Design Patent**
McGuire et al.

(10) **Patent No.:** **US D702,373 S**
(45) **Date of Patent:** **** Apr. 8, 2014**

(54) **LIGHT BULB**
(71) Applicant: **The Procter & Gamble Company**,
Cincinnati, OH (US)
(72) Inventors: **Kenneth Stephen McGuire**, Cincinnati,
OH (US); **Corey Michael Bischoff**,
Cincinnati, OH (US); **Mark John**
Steinhardt, Cincinnati, OH (US);
Benjamin James Beck, Boston, MA
(US); **Douglas A. Marsden**,
Marblehead, MA (US); **Christopher**
James Page, Cambridge, MA (US)

D553,267 S 10/2007 Yuen
D582,577 S 12/2008 Yuen
D613,432 S 4/2010 Chen et al.
D625,439 S 10/2010 Lai et al.
D631,567 S 1/2011 Lodhie
D641,919 S 7/2011 Parker et al.
D642,325 S 7/2011 Parker et al.
D645,170 S 9/2011 Parker et al.
8,013,501 B2 9/2011 Carroll et al.
D646,808 S 10/2011 Shi
D647,640 S 10/2011 Parker et al.
D647,647 S 10/2011 Parker et al.
D666,340 S 8/2012 Sakamoto et al.

(Continued)

OTHER PUBLICATIONS

(73) Assignee: **The Procter & Gamble Company**,
Cincinnati, OH (US)

U.S. Appl. No. 29/390,527, filed Apr. 26, 2011, McGuire, et al.

(**) Term: **14 Years**

(Continued)

(21) Appl. No.: **29/448,517**

Primary Examiner — Marcus Jackson

(22) Filed: **Mar. 13, 2013**

(74) *Attorney, Agent, or Firm* — John T. Dipre; Steven W. Miller

Related U.S. Application Data

(62) Division of application No. 29/390,535, filed on Apr.
26, 2011, now Pat. No. Des. 683,483.

(51) **LOC (10) Cl.** **26-04**

(52) **U.S. Cl.**
USPC **D26/2**

(58) **Field of Classification Search**
USPC D26/1-4; 313/313, 315, 316, 317, 318,
313/493; 315/52, 53, 56, 57, 58
See application file for complete search history.

(57) **CLAIM**

The ornamental design for a light bulb, as shown and described.

DESCRIPTION

FIG. 1 is a perspective view of a first embodiment of the lighting bulb;
FIG. 2 is a front view thereof, the rear view being the same as the front view;
FIG. 3 is a side view thereof, the opposite side view being the same as the side view; and,
FIG. 4 is a sectional view thereof, taken along the line 4-4 of FIG. 2.

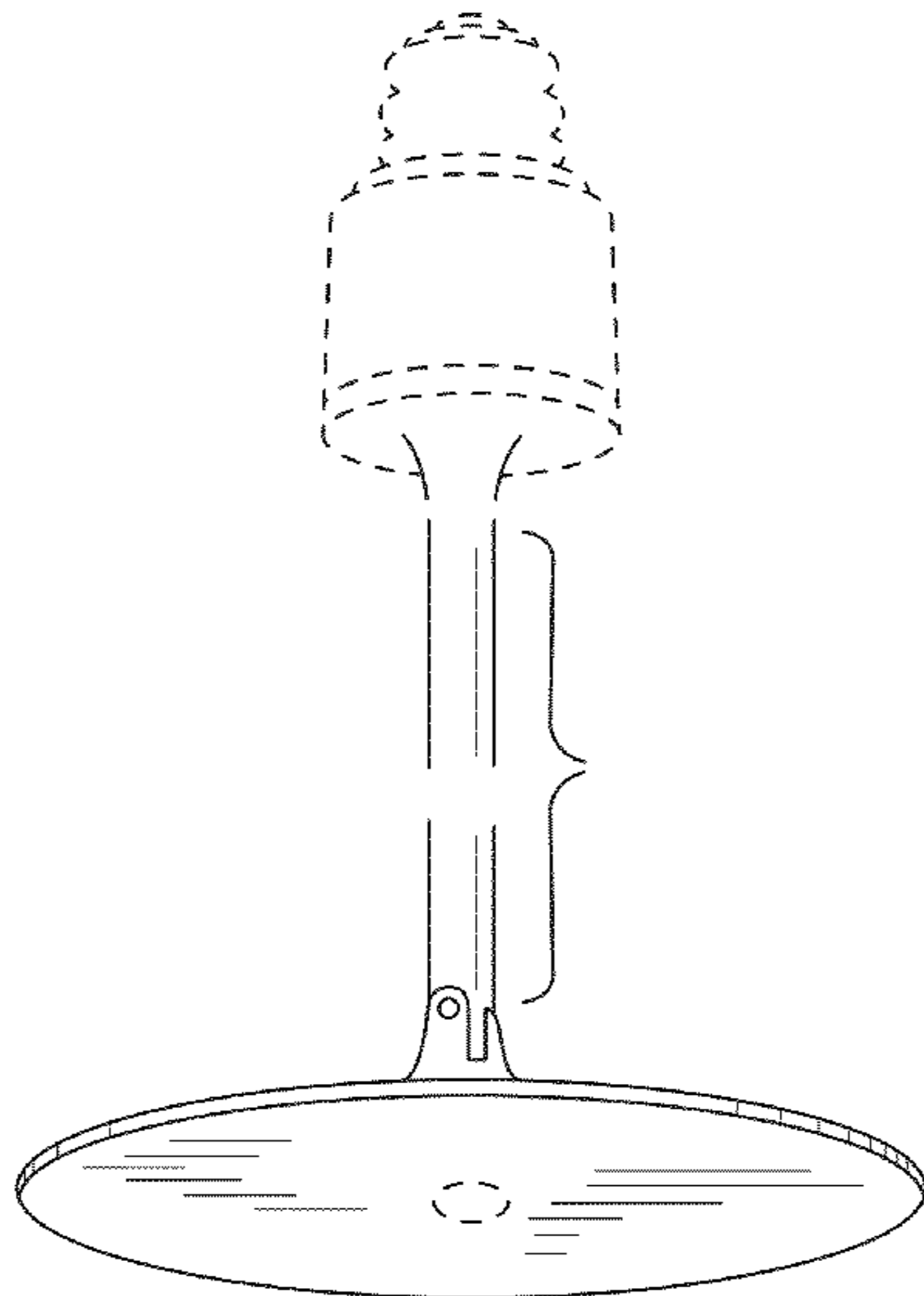
The broken line showing of the attachment portion is included for the purpose of illustrating only and forms no part of the claimed design.

(56) **References Cited**

U.S. PATENT DOCUMENTS

D501,264 S 1/2005 To et al.
7,086,756 B2 8/2006 Maxik
D535,038 S 1/2007 Egawa et al.

1 Claim, 2 Drawing Sheets



(56)

References Cited

U.S. PATENT DOCUMENTS

D670,410 S * 11/2012 Van De Ven et al. D26/2
D683,483 S * 5/2013 McGuire et al. D26/2
2008/0170398 A1 7/2008 Kim
2008/0232116 A1 9/2008 Kim
2010/0201284 A1 8/2010 Kraus

2011/0116266 A1 5/2011 Kim
2011/0163683 A1 7/2011 Steele et al.

OTHER PUBLICATIONS

U.S. Appl. No. 29/390,535, filed Apr. 26, 2011, McGuire, et al.

* cited by examiner

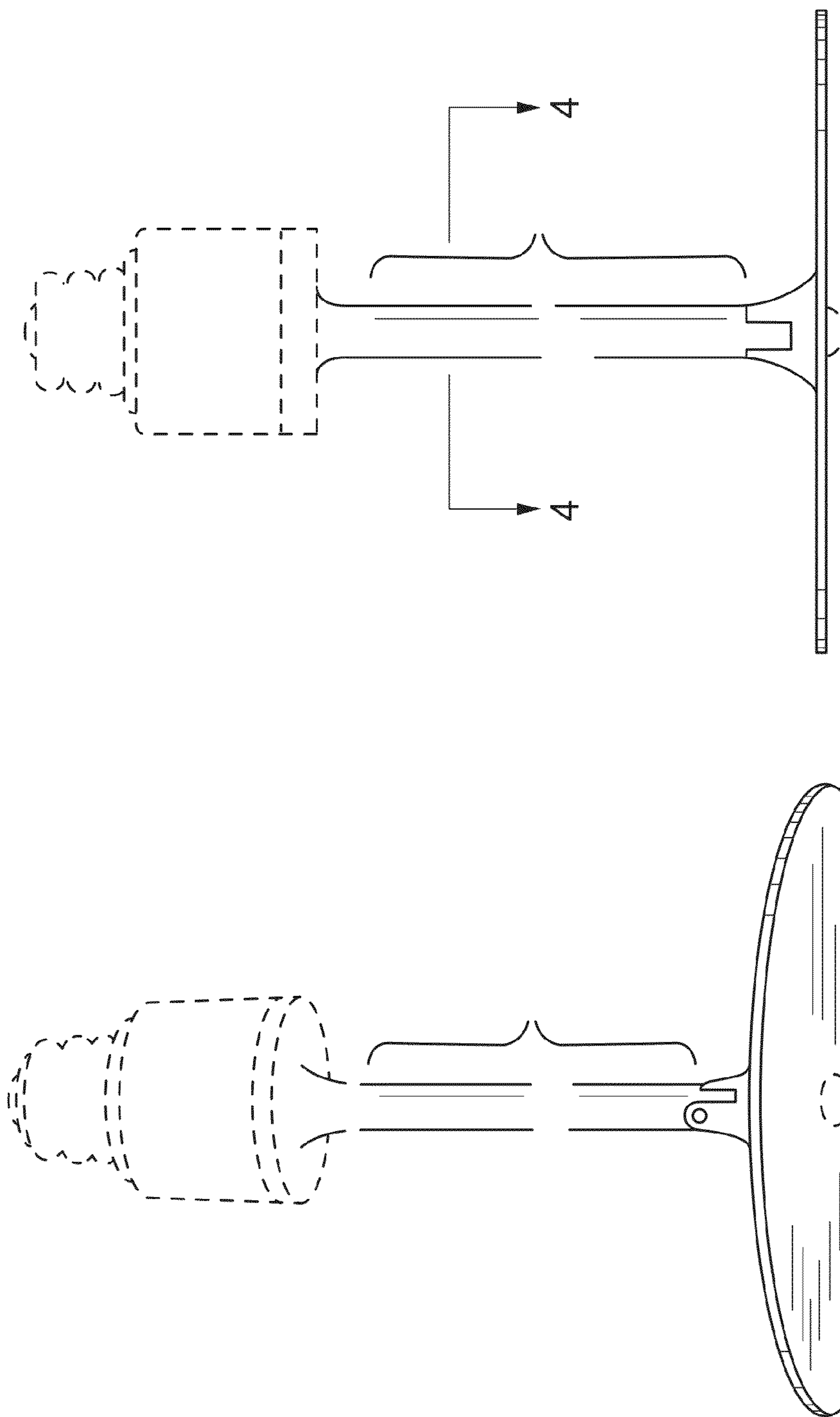


Fig. 2

Fig. 1

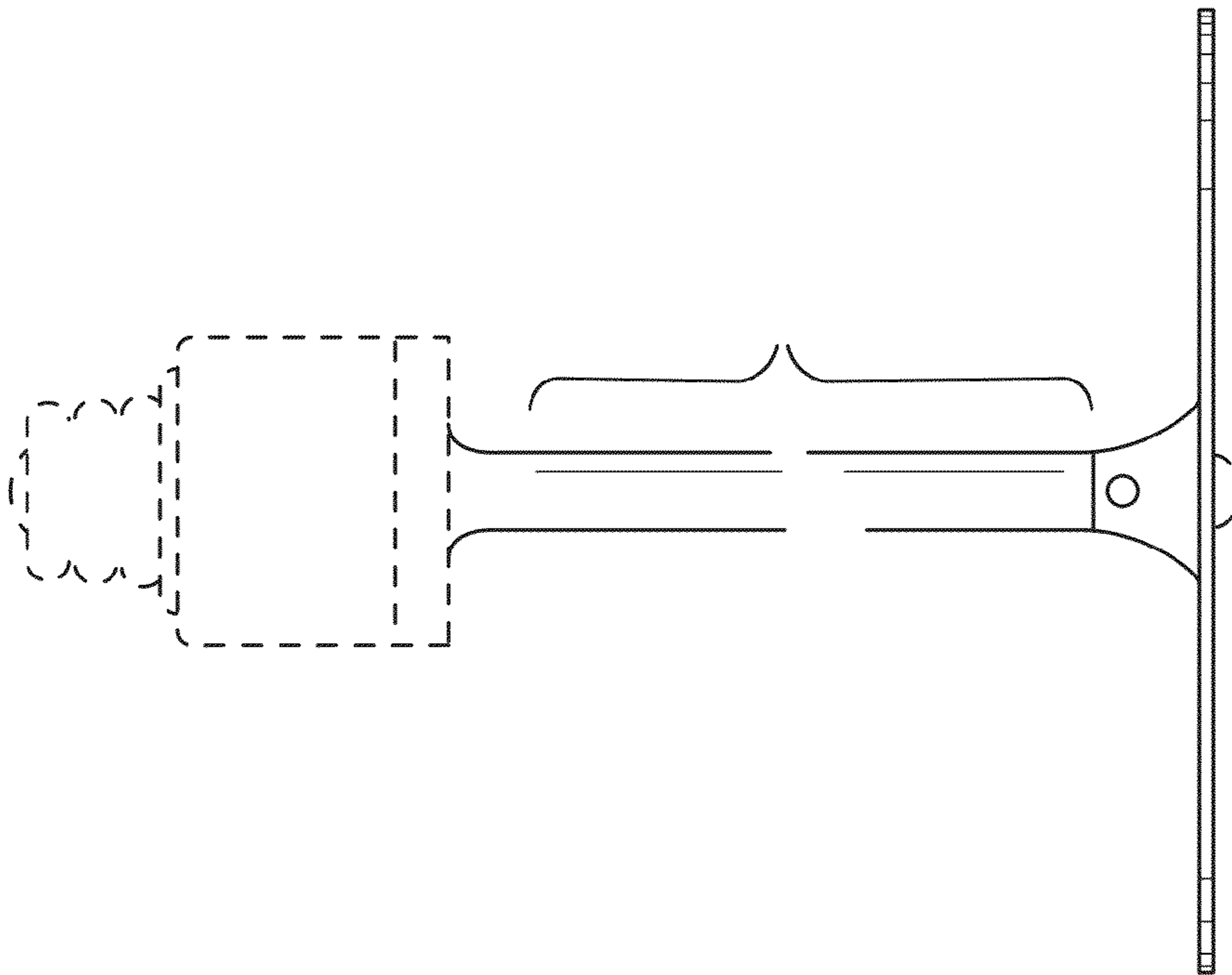


Fig. 3

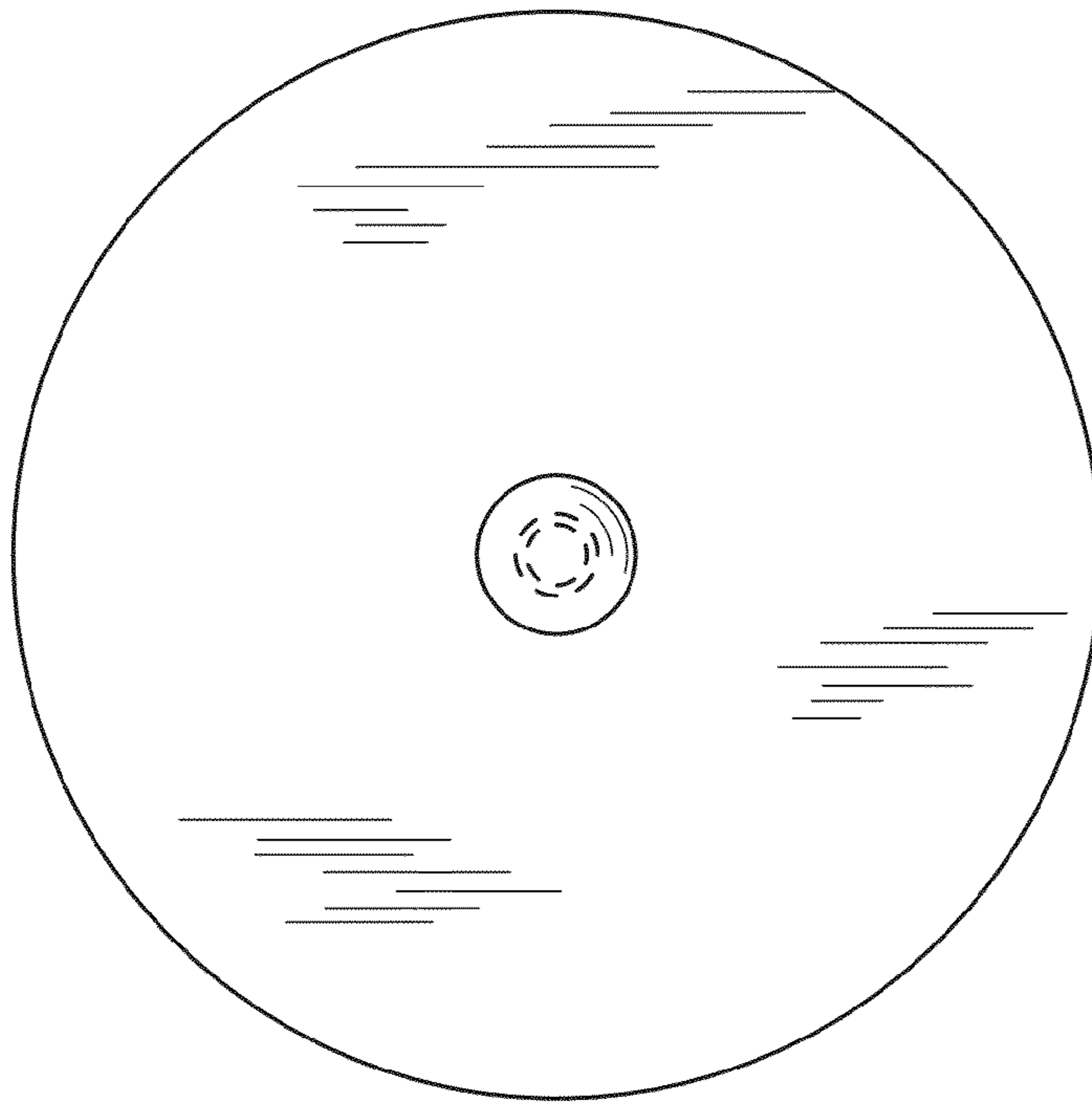


Fig. 4