



US00D702366S

(12) **United States Design Patent**  
**Mukith et al.**

(10) **Patent No.:** **US D702,366 S**

(45) **Date of Patent:** **\*\* Apr. 8, 2014**

(54) **PEDESTRIAN BARRIER**

(75) Inventors: **Abdul Mukith**, Halifax (GB); **Luke Smith**, Halifax (GB)

(73) Assignee: **A-Fax Limited**, Halifax (GB)

(\*\*) Term: **14 Years**

(21) Appl. No.: **29/428,349**

(22) Filed: **Jul. 30, 2012**

(30) **Foreign Application Priority Data**

Jan. 30, 2012 (EM) ..... 001983339-0005

(51) **LOC (10) Cl.** ..... **25-02**

(52) **U.S. Cl.**  
USPC ..... **D25/38.1**

(58) **Field of Classification Search**  
USPC ..... D25/38.1, 43, 58; 256/13.1, 19, 25, 59,  
256/65.02, 65.11, 65.14; 404/6, 9  
See application file for complete search history.

(56) **References Cited**

**U.S. PATENT DOCUMENTS**

4,722,513 A \* 2/1988 Gaillard et al. .... 256/13.1  
D305,066 S \* 12/1989 Humphrey ..... D25/38.1

D333,873 S \* 3/1993 McCue ..... D25/38.1  
6,142,701 A \* 11/2000 Falcon ..... 404/6  
6,155,744 A \* 12/2000 Namanny ..... 404/1  
D462,126 S \* 8/2002 Englund ..... D25/38.1  
D500,859 S \* 1/2005 Dehart ..... D25/58  
2005/0035341 A1 \* 2/2005 Montgomery ..... 256/65.11  
2005/0189532 A1 \* 9/2005 Gasaway et al. .... 256/65.11  
2007/0228352 A1 \* 10/2007 Higgs ..... 256/59

\* cited by examiner

*Primary Examiner* — Doris Clark

(74) *Attorney, Agent, or Firm* — Oliff PLC

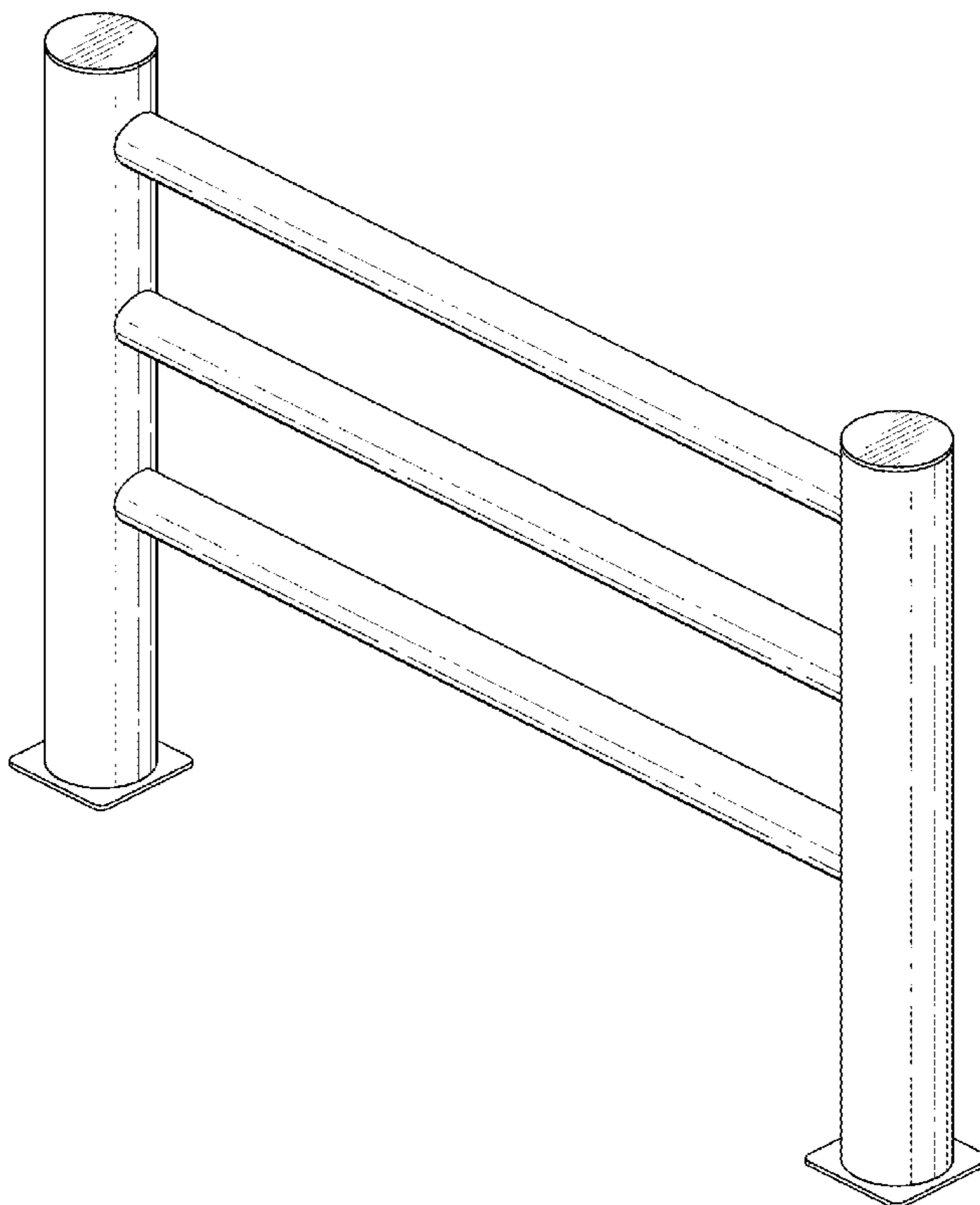
(57) **CLAIM**

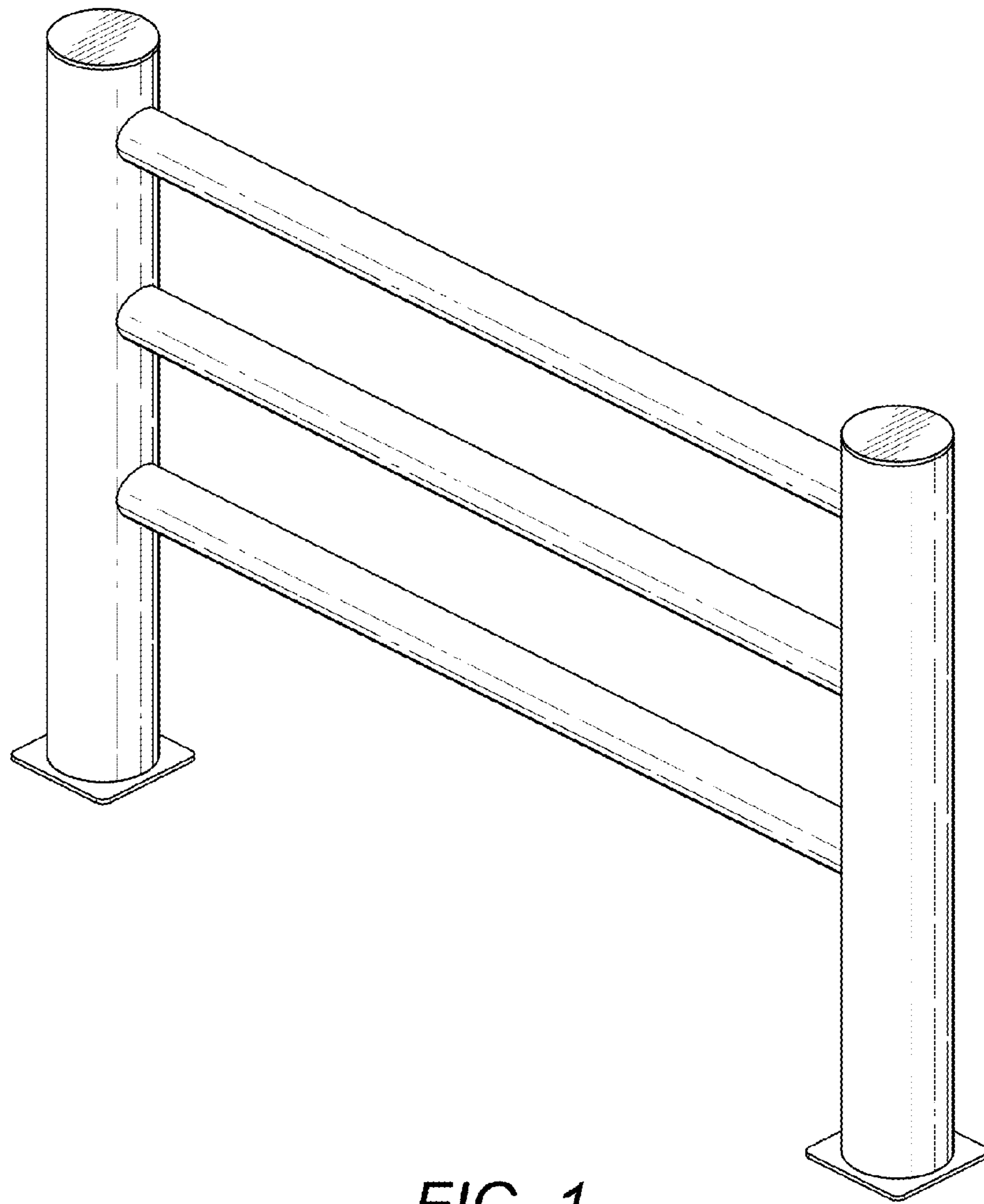
The ornamental design for a pedestrian barrier, as shown and described.

**DESCRIPTION**

FIG. 1 is a perspective view of a pedestrian barrier;  
FIG. 2 is a front view thereof;  
FIG. 3 is a rear view thereof;  
FIG. 4 is a right-side view thereof;  
FIG. 5 is a left-side view thereof;  
FIG. 6 is a top view thereof; and,  
FIG. 7 is a bottom view thereof.

**1 Claim, 5 Drawing Sheets**

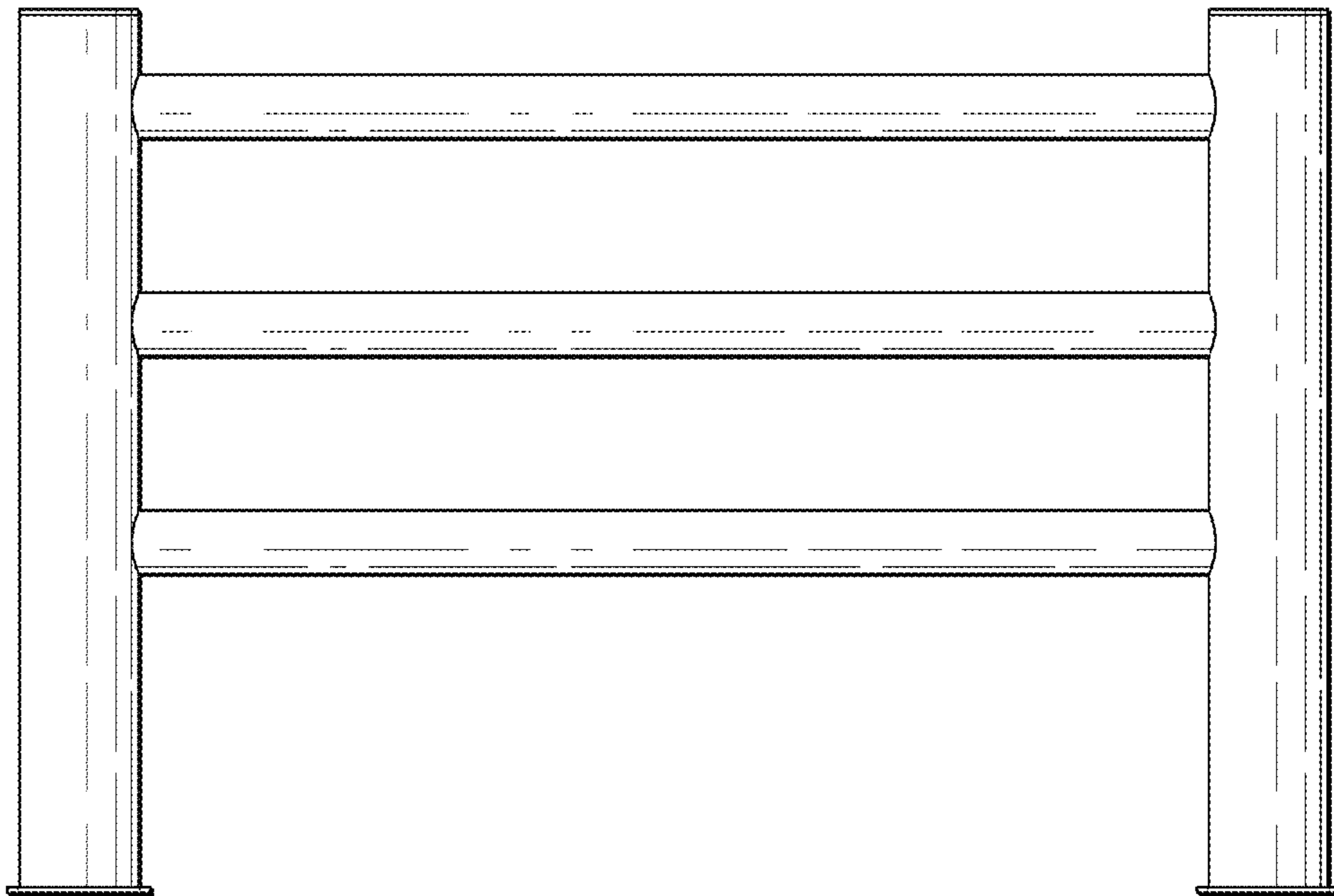




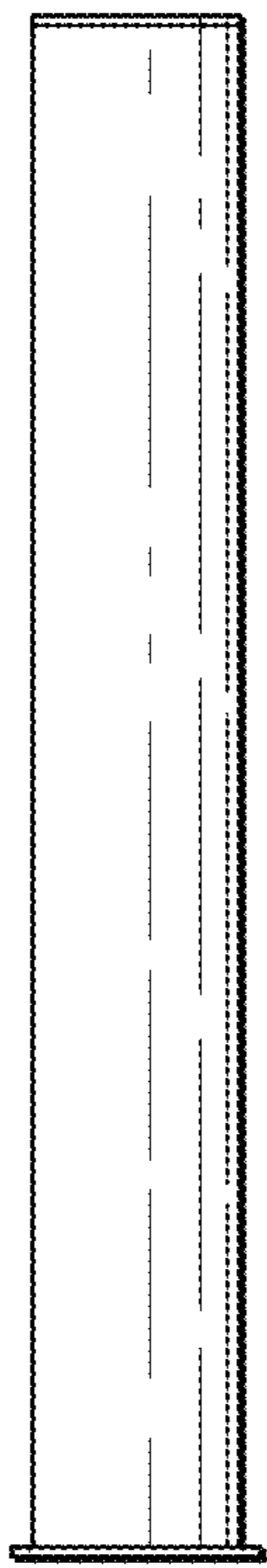
*FIG. 1*



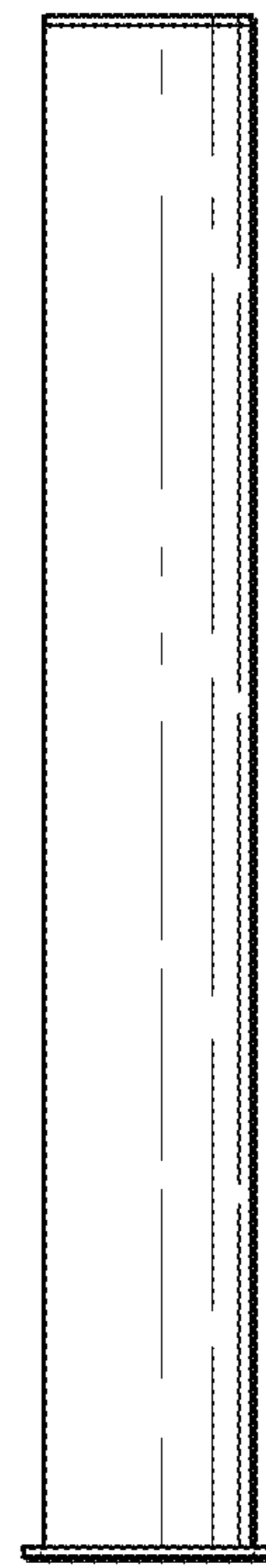
*FIG. 2*



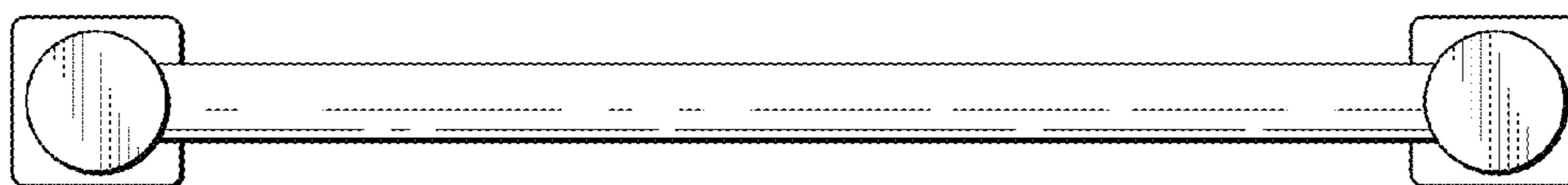
*FIG. 3*



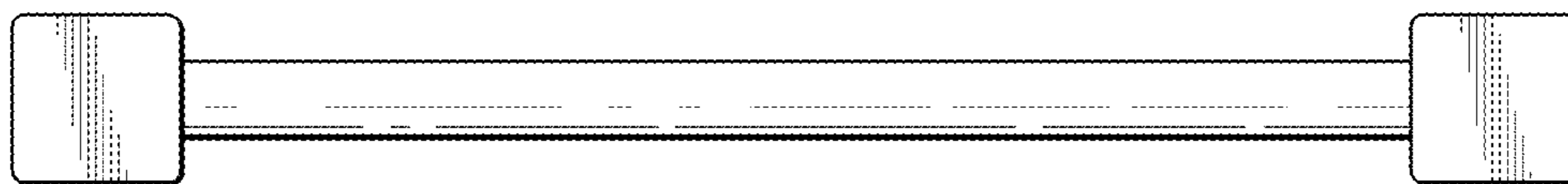
*FIG. 4*



*FIG. 5*



*FIG. 6*



*FIG. 7*