



US00D702365S

(12) **United States Design Patent**
Adema

(10) **Patent No.:** **US D702,365 S**
(45) **Date of Patent:** **** Apr. 8, 2014**

- (54) **MODULAR SPORT CENTER**
- (71) Applicant: **Wayne P Adema**, Sheboygan, WI (US)
- (72) Inventor: **Wayne P Adema**, Sheboygan, WI (US)
- (**) Term: **14 Years**
- (21) Appl. No.: **29/436,302**
- (22) Filed: **Nov. 2, 2012**

3,813,097	A *	5/1974	Darby	473/490
4,014,521	A *	3/1977	Berman	256/1
4,284,277	A *	8/1981	Leonard et al.	473/471
4,497,483	A *	2/1985	Ahlgren	472/90
D350,989	S	9/1994	Lanier	
D376,653	S	12/1996	Clijsters	
D382,228	S	8/1997	Snook	
5,785,615	A *	7/1998	Kosmalski	473/471
5,820,470	A *	10/1998	Saunders	472/92
5,906,373	A *	5/1999	Sanders	273/349
6,059,673	A *	5/2000	Mason	473/478
6,296,580	B1 *	10/2001	Hamet	473/415
6,634,966	B2 *	10/2003	Gordon	473/415
D590,029	S	4/2009	Manderbacka	
D590,030	S	4/2009	Manderbacka	
D652,149	S	1/2012	Ferrari	
2002/0010042	A1 *	1/2002	Gordon	473/490
2008/0085791	A1 *	4/2008	Bucalo	473/490
2009/0139157	A1 *	6/2009	Jones	52/145

Related U.S. Application Data

- (62) Division of application No. 13/587,715, filed on Aug. 16, 2012.
- (51) **LOC (10) Cl.** **25-03**
- (52) **U.S. Cl.**
USPC **D25/12**
- (58) **Field of Classification Search**
USPC D25/1, 12; D21/340, 706; 472/85, 472/90-94, 134-137; 473/414-415, 421, 473/446, 471, 478, 490, 504; 273/108.33, 273/113, 317, 349, 396, 398; 256/1
See application file for complete search history.

* cited by examiner

Primary Examiner — T. Chase Nelson
Assistant Examiner — Kathleen M Sims
(74) *Attorney, Agent, or Firm* — Boyle Fredrickson, S.C.

(57) **CLAIM**

I claim the ornamental design for a modular sport center, as shown and described.

(56) **References Cited**

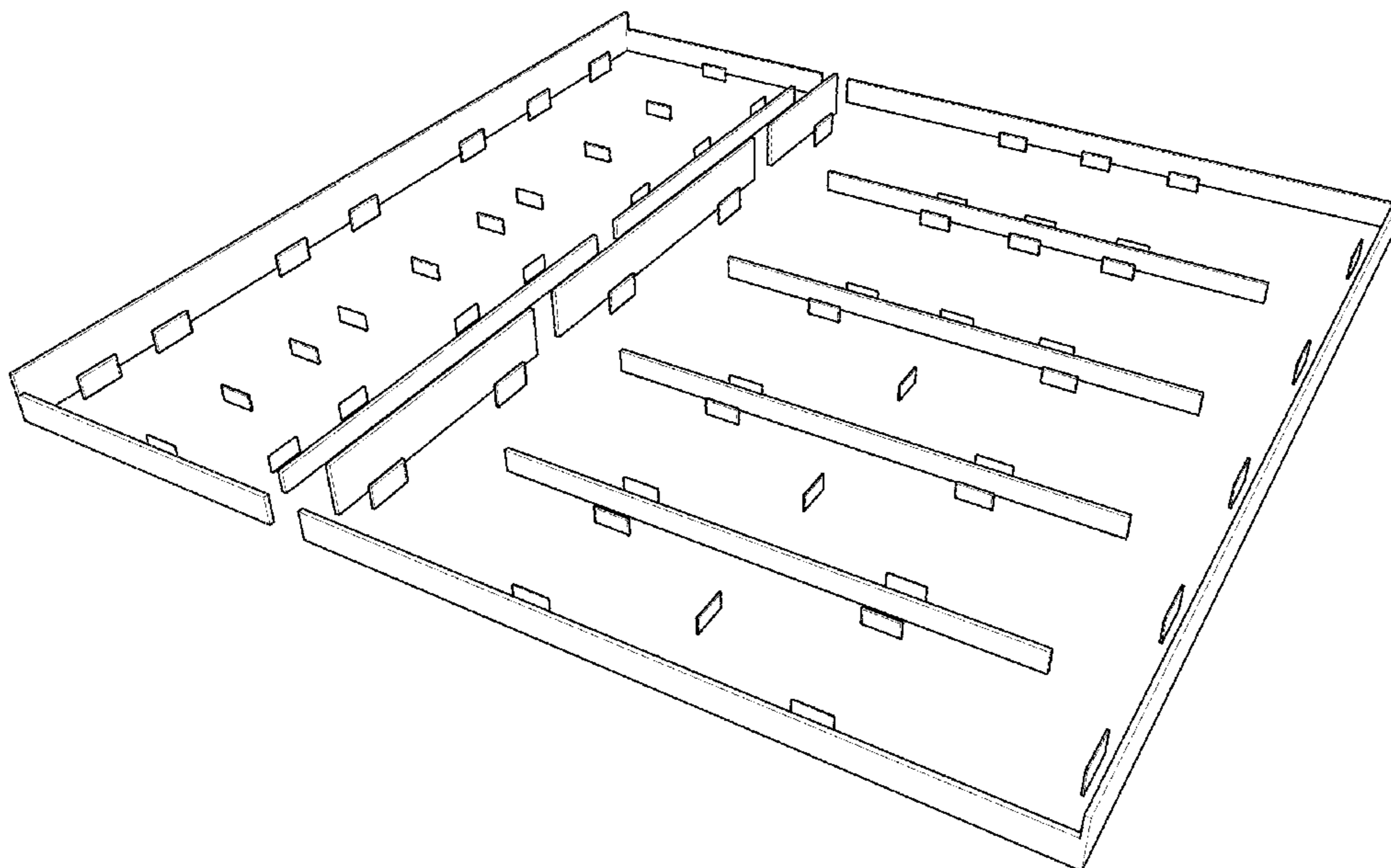
U.S. PATENT DOCUMENTS

430,030	A *	6/1890	Jones	273/113
D32,838	S *	6/1900	Kolp	D21/340
836,257	A *	11/1906	Holden	273/108.33
D142,770	S *	11/1945	Boening	D21/317
D194,462	S	4/1961	Brody et al.	
D195,760	S *	7/1963	Martin	D25/12
3,107,095	A *	10/1963	Cairns	273/398
3,709,489	A *	1/1973	Holleran et al.	473/446
3,768,809	A *	10/1973	Ciarfello	473/414

DESCRIPTION

- FIG. 1 A top plan view of the claimed design.
- FIG. 2 A top front side perspective view of the claimed design.
- FIG. 3 A top back side perspective view of the claimed design.
- FIG. 4 A top front side perspective view of the claimed design; and,
- FIG. 5 A top back side perspective view of the claimed design.

1 Claim, 5 Drawing Sheets



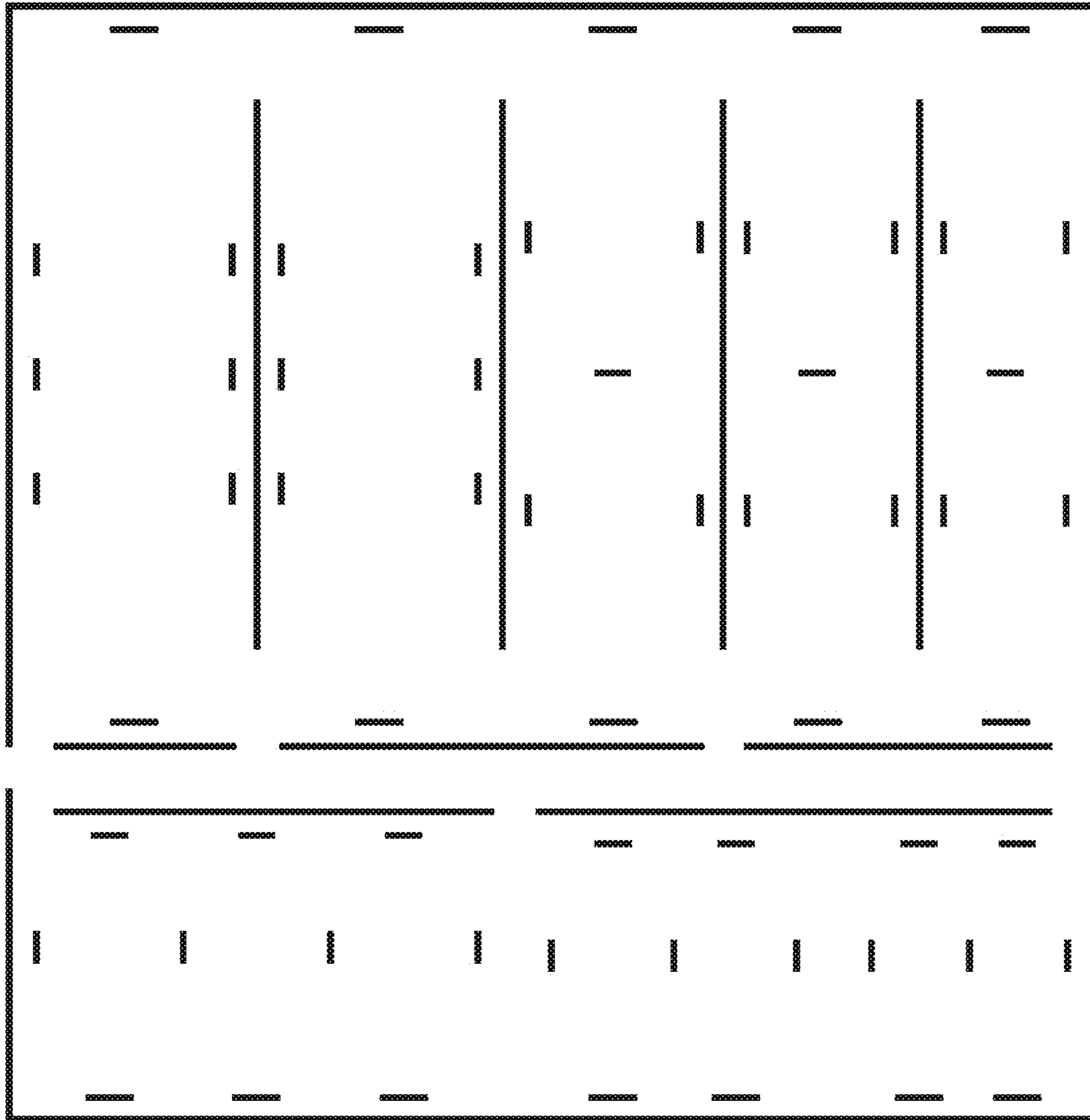


Fig. 1

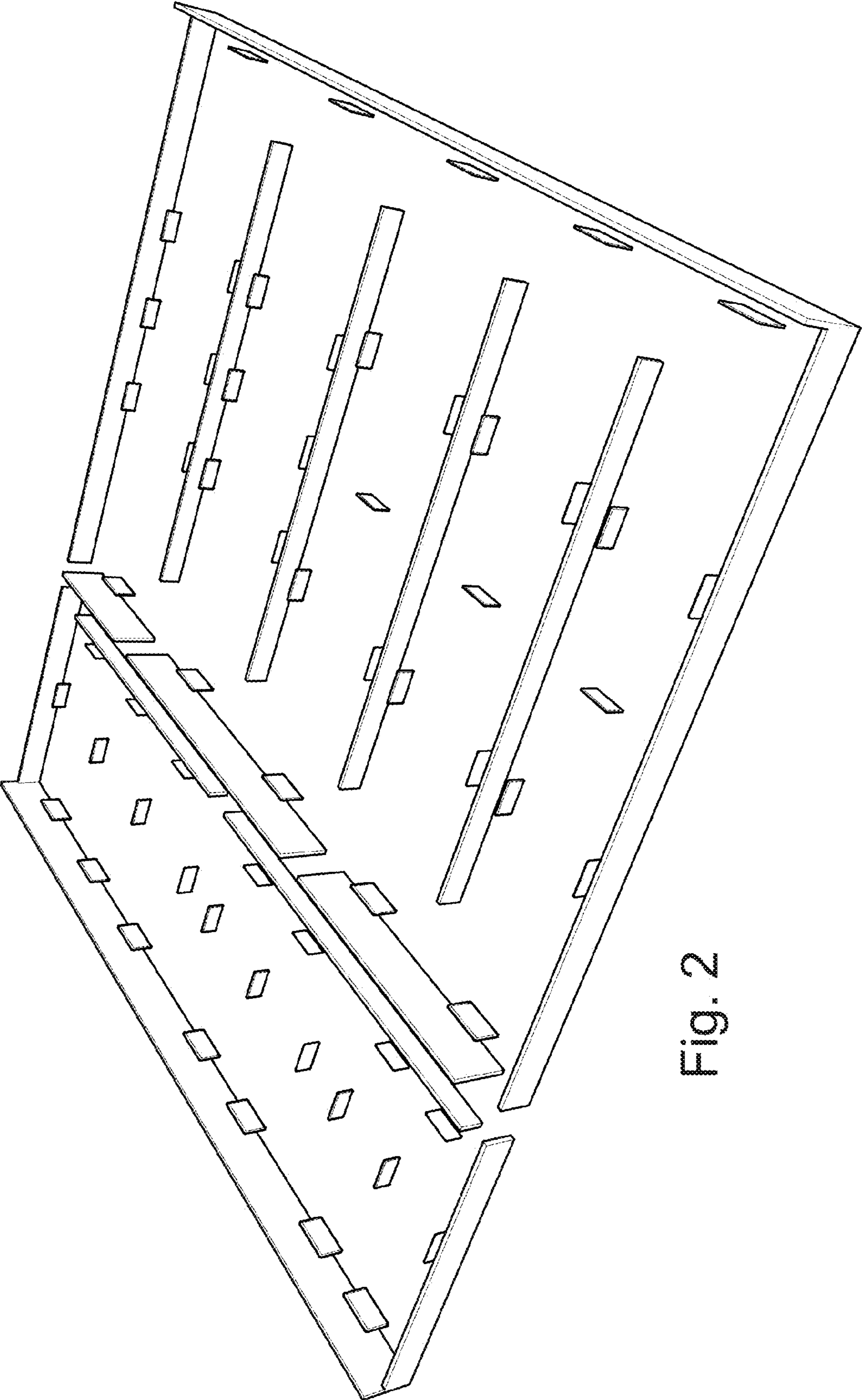


Fig. 2

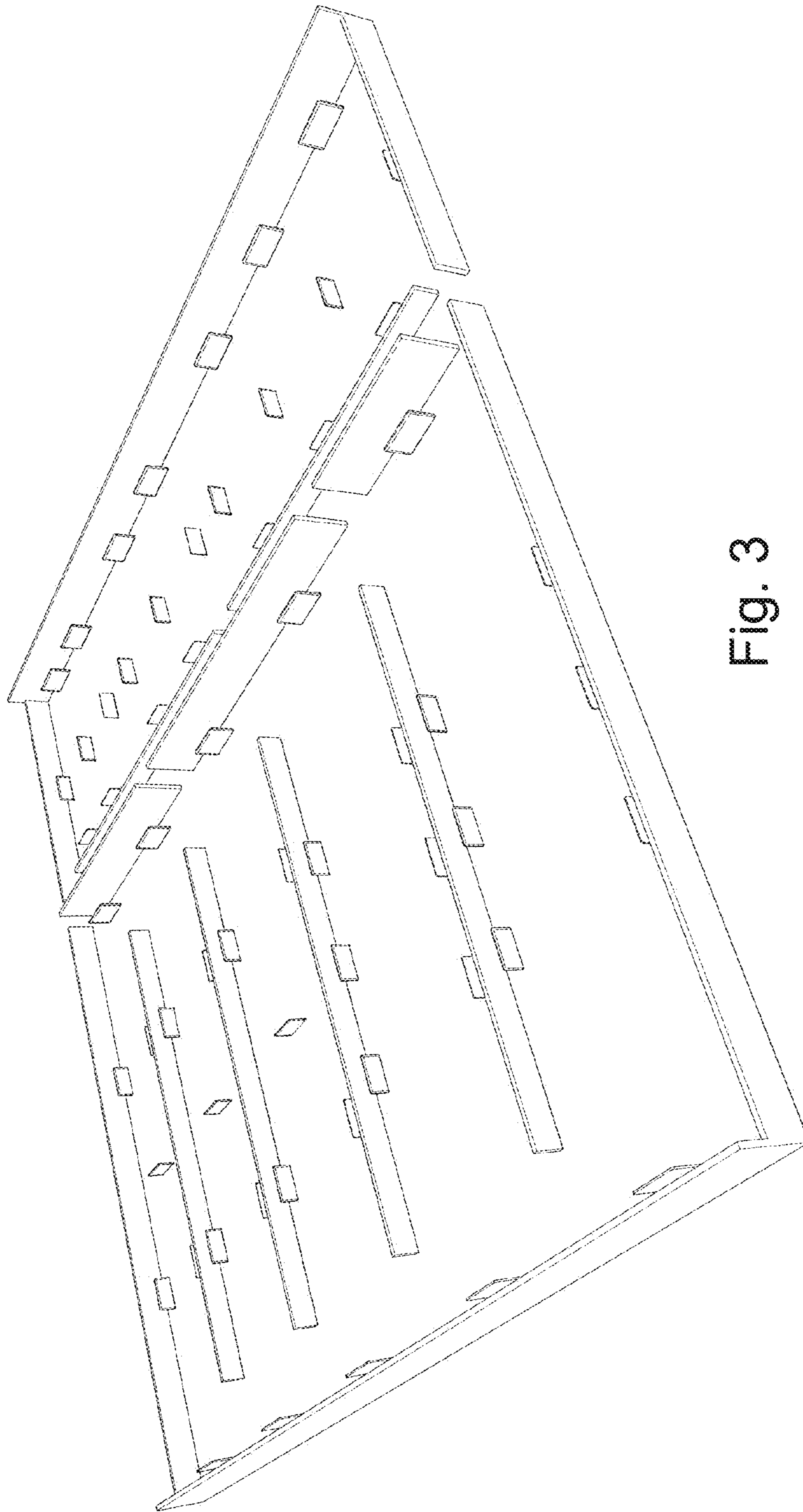


Fig. 3

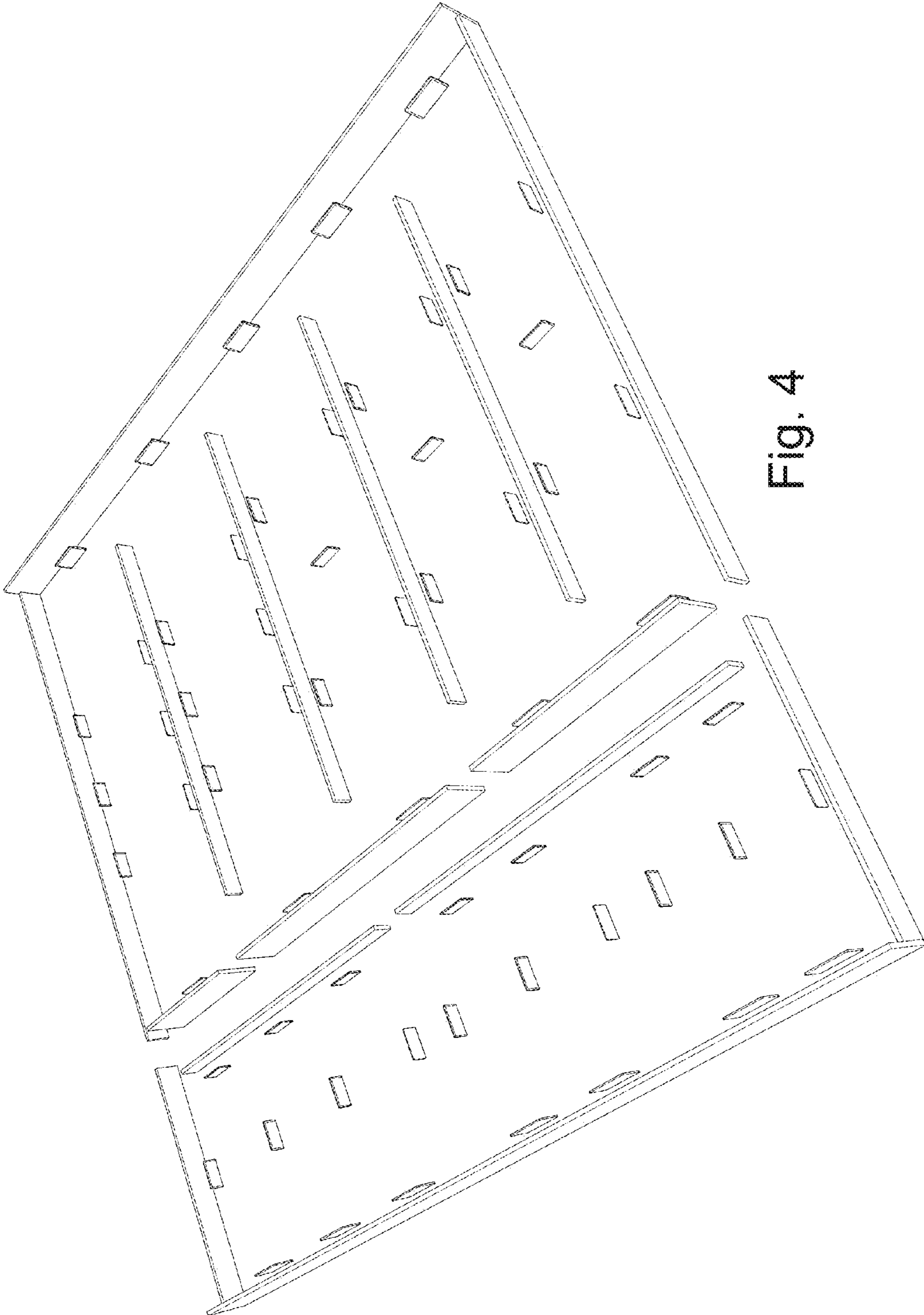


Fig. 4

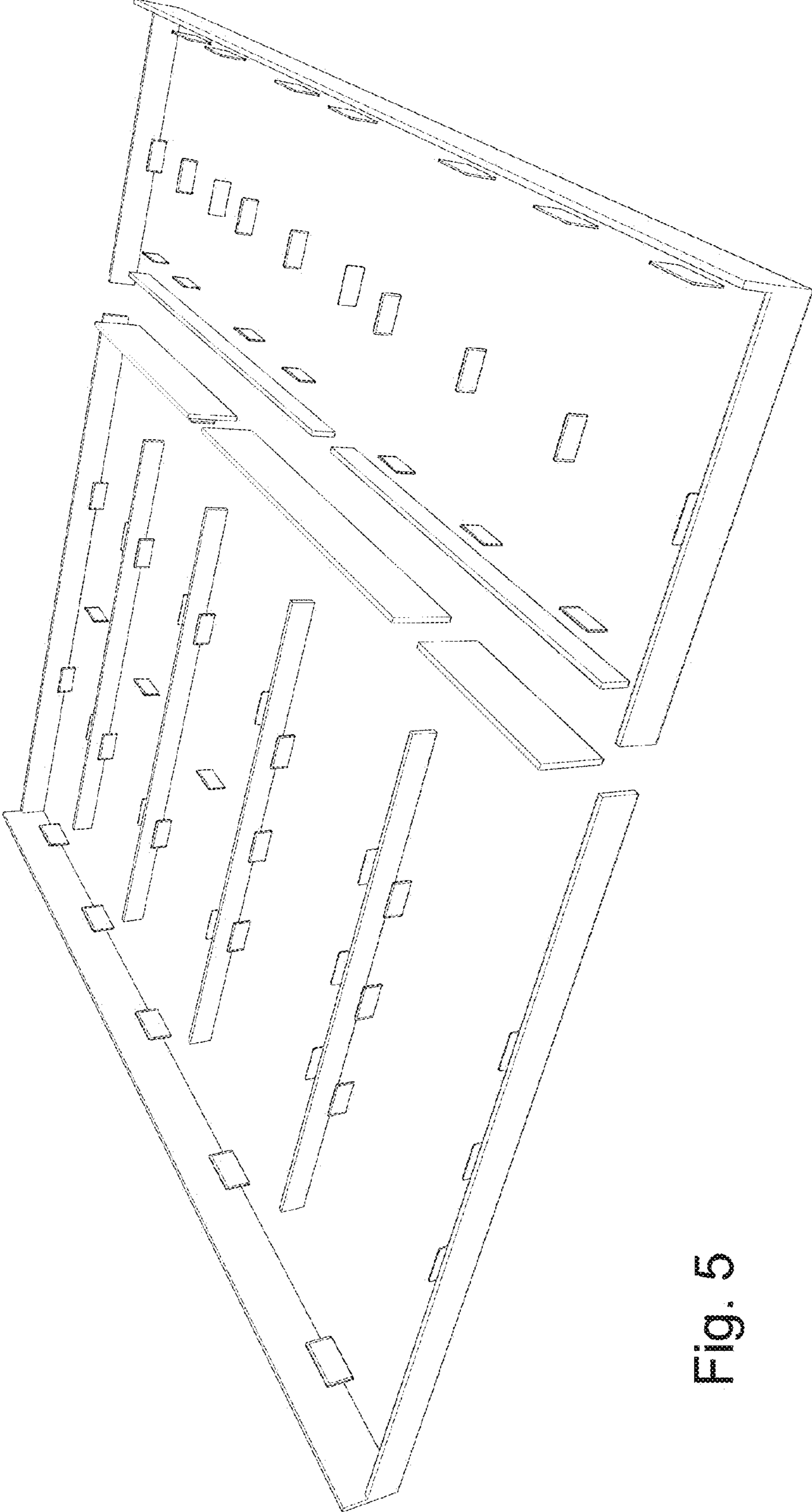


Fig. 5