



US00D702364S

(12) **United States Design Patent**
Iqbal et al.

(10) **Patent No.:** **US D702,364 S**

(45) **Date of Patent:** **** Apr. 8, 2014**

(54) **AUTO-STAINING CARTRIDGE**

(75) Inventors: **Shazi S. Iqbal**, Danville, CA (US);
Michael Mayo, Austin, TX (US); **Alex Greis**, Austin, TX (US); **Paul Parks**, Austin, TX (US); **Michael Kevin McAleer**, Austin, TX (US)

(73) Assignee: **SYFR, Inc.**, Danville, CA (US)

(**) Term: **14 Years**

(21) Appl. No.: **29/409,119**

(22) Filed: **Dec. 20, 2011**

(51) **LOC (10) Cl.** **24-01**

(52) **U.S. Cl.**
USPC **D24/225**

(58) **Field of Classification Search**
USPC D24/216–217, 219, 223–226, 227,
D24/229–231, 232, 107, 121–123; D10/81;
422/408, 430, 500, 502, 503, 68.1;
436/163, 164, 169
See application file for complete search history.

(56) **References Cited**

U.S. PATENT DOCUMENTS

| | | | | |
|-------------------|---------|-----------------|-------|---------|
| D342,575 S * | 12/1993 | Ashihara et al. | | D24/224 |
| D495,805 S * | 9/2004 | Lea et al. | | D24/223 |
| D500,142 S * | 12/2004 | Crisanti et al. | | D24/224 |
| D531,321 S * | 10/2006 | Godfrey et al. | | D24/225 |
| 7,932,099 B2 * | 4/2011 | Egan et al. | | 436/514 |
| D640,389 S * | 6/2011 | Francis et al. | | D24/225 |
| D655,424 S * | 3/2012 | Castanon et al. | | D24/225 |
| 2004/0126830 A1 * | 7/2004 | Shull et al. | | 436/514 |

| | | | | |
|-------------------|---------|--------------------|-------|-----------|
| 2006/0257284 A1 * | 11/2006 | Rheinheimer et al. | | 422/55 |
| 2008/0056948 A1 * | 3/2008 | Dale et al. | | 422/68.1 |
| 2009/0305337 A1 * | 12/2009 | Iqbal et al. | | 435/40.52 |
| 2011/0003303 A1 * | 1/2011 | Pagano et al. | | 435/6 |
| 2011/0150705 A1 * | 6/2011 | Doyle et al. | | 422/68.1 |

* cited by examiner

Primary Examiner — Anhdao Doan

(74) *Attorney, Agent, or Firm* — James R Bell

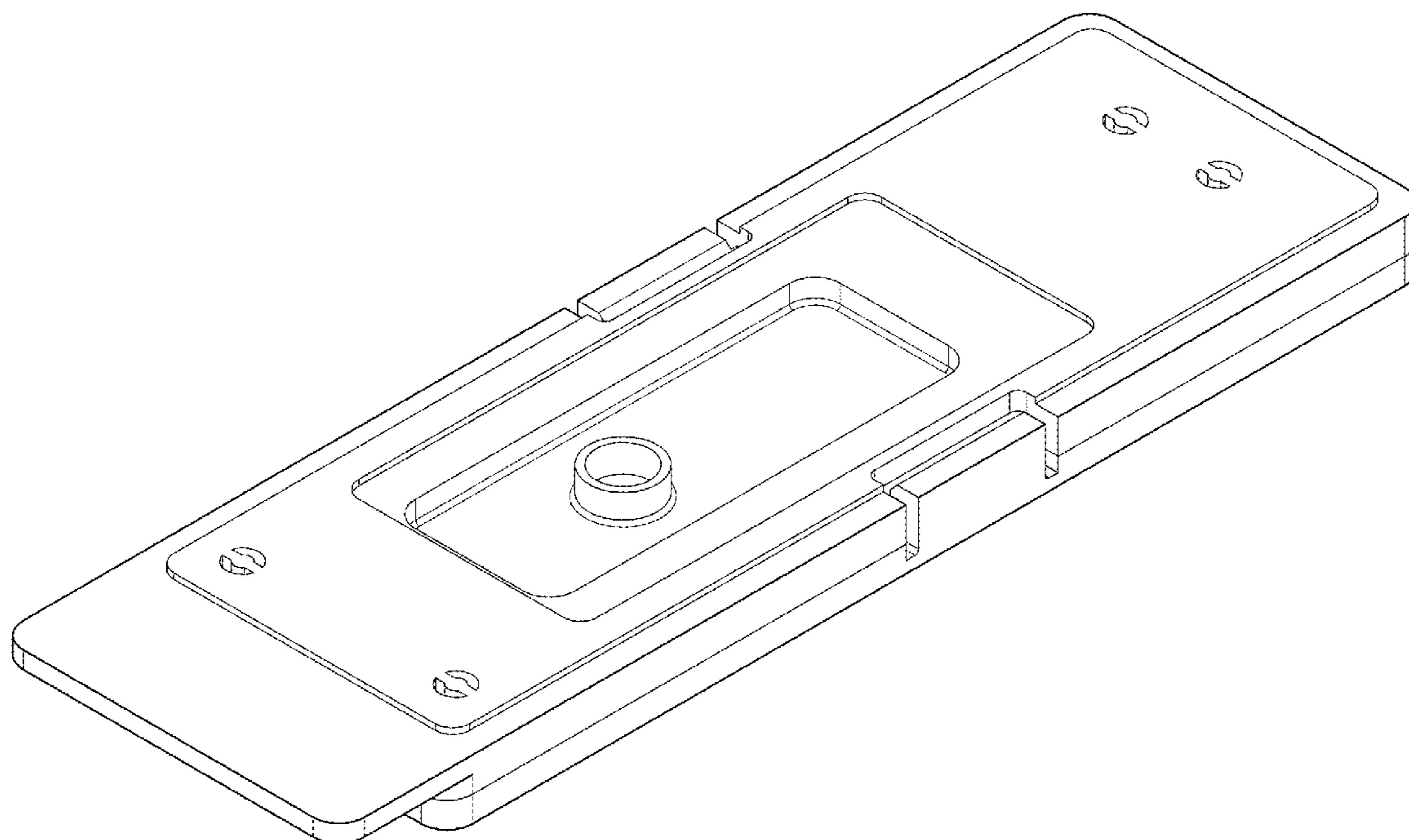
(57) **CLAIM**

The ornamental design for an auto-staining cartridge, as shown and described.

DESCRIPTION

FIG. 1 is a top perspective view of an auto-staining cartridge; FIG. 2 is a bottom perspective view thereof; FIG. 3 is an end view thereof; FIG. 4 is top view thereof; FIG. 5 is a side view thereof; FIG. 6 is a bottom view thereof; FIG. 7 is another end view thereof; FIG. 8 is another end view thereof; FIG. 9 is an expanded top perspective view thereof with the top flipped open and interior parts expanded to show the configuration of each component; the broken lines are included to show the order of assembly and form no part of the claimed design; and, FIG. 10 is an exploded bottom perspective view thereof showing the underside of the auto-staining cartridge opened and the interior parts expanded to show the configuration of each component; the broken lines are included to show the order of assembly and form no part of the claimed design.

1 Claim, 6 Drawing Sheets



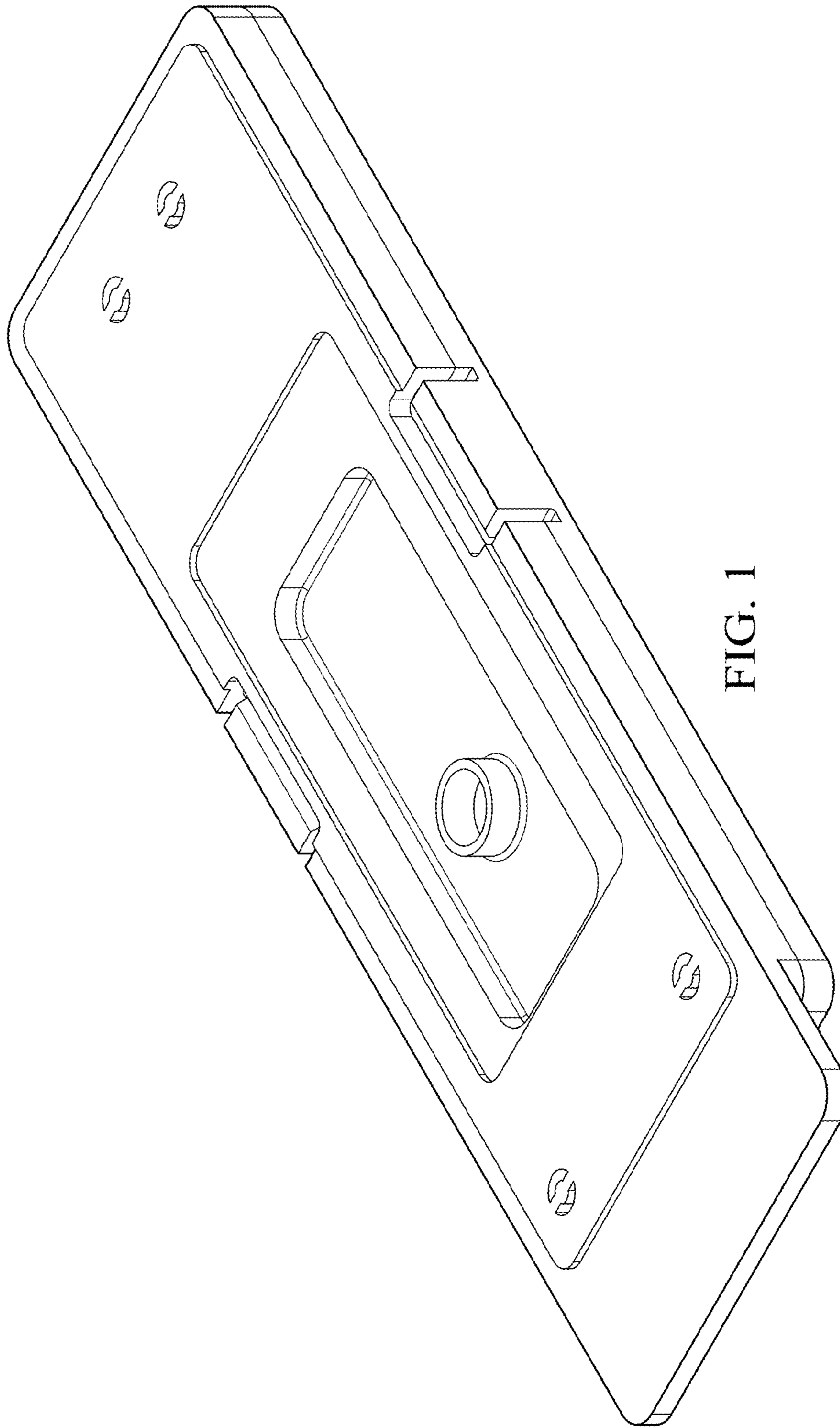


FIG. 1

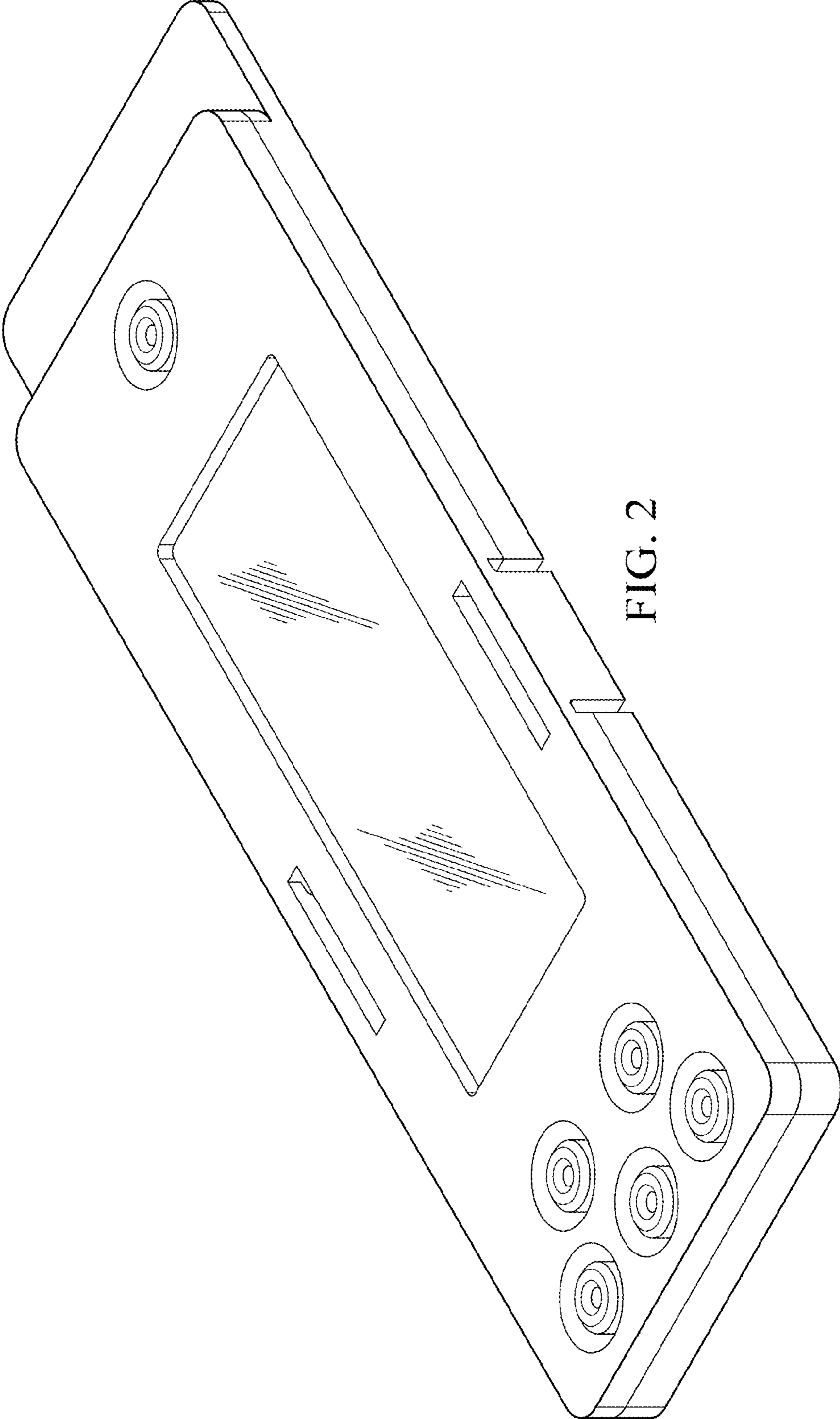


FIG. 2

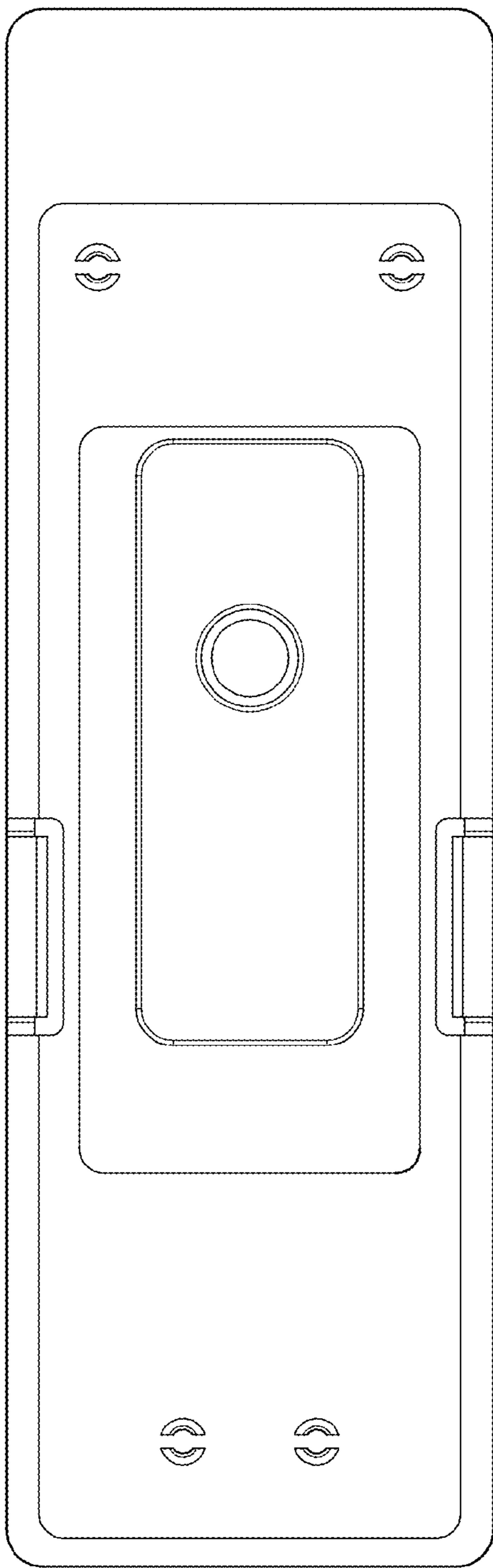


FIG. 3

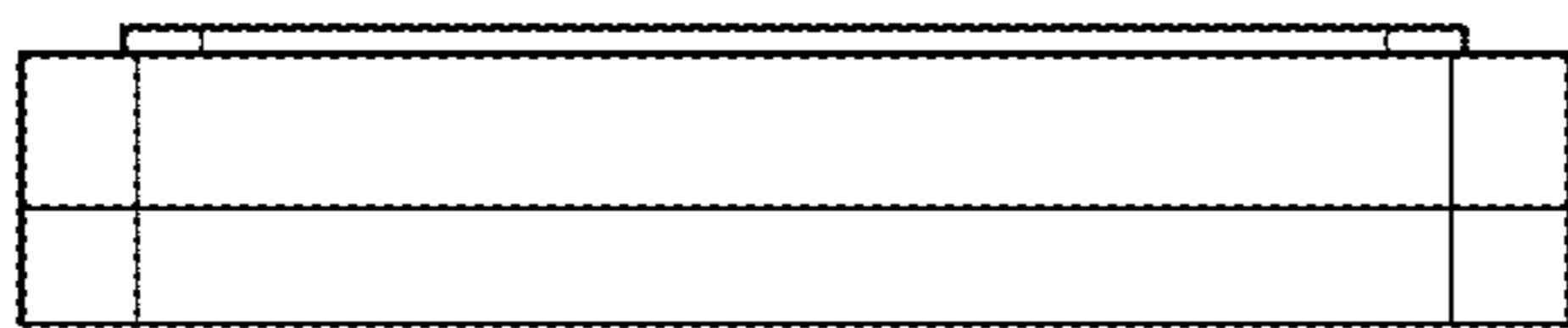


FIG. 4

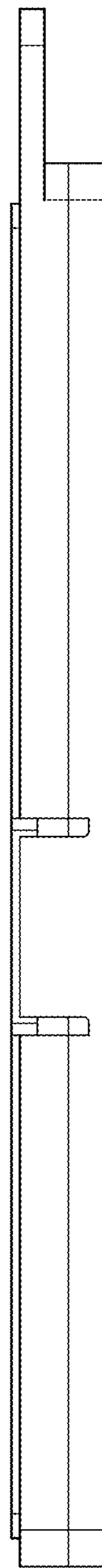


FIG. 5

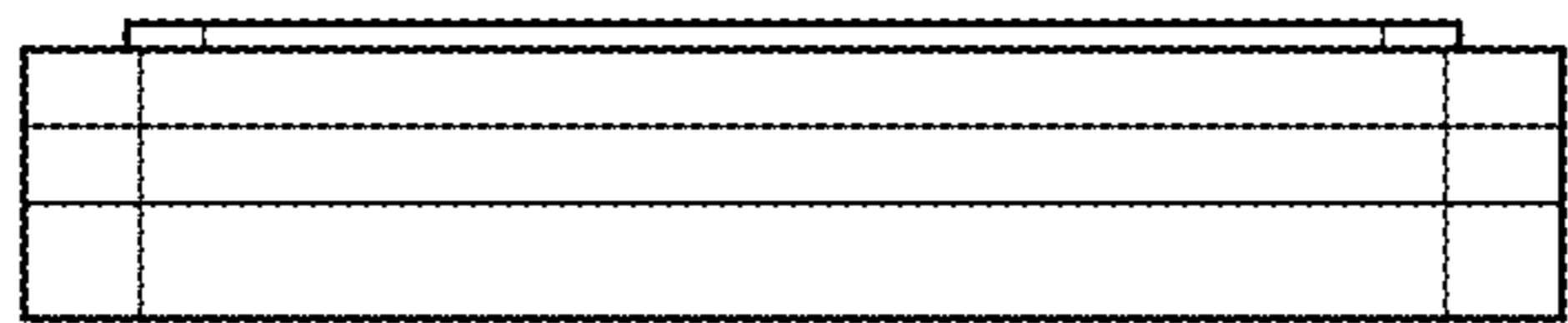


FIG. 7

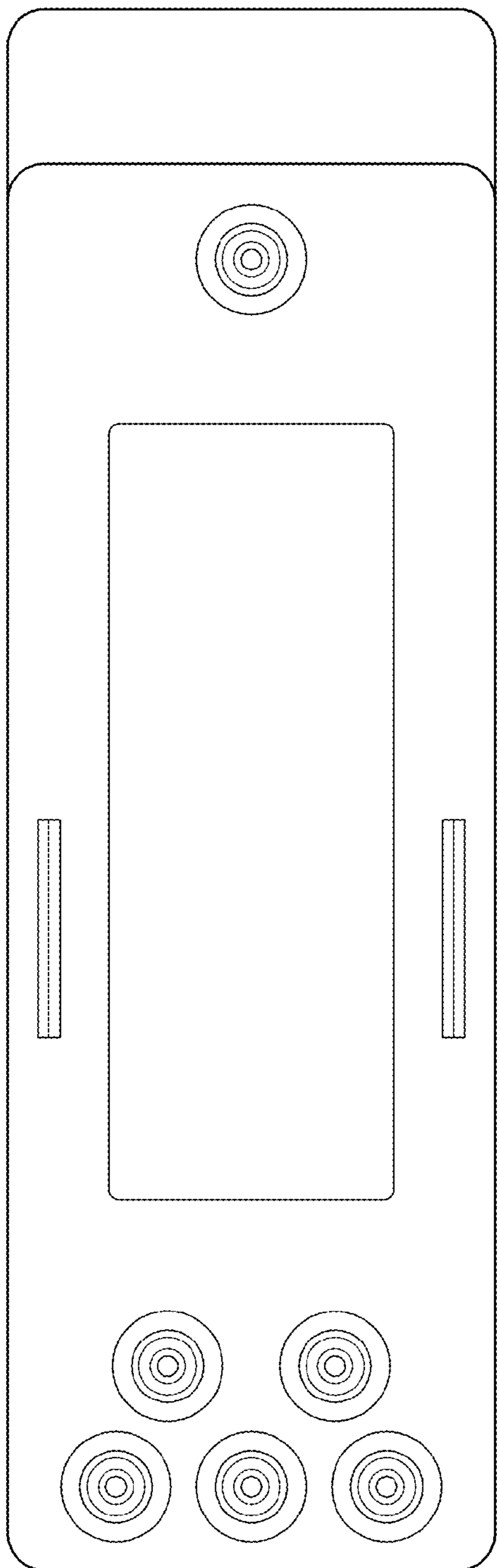


FIG. 6

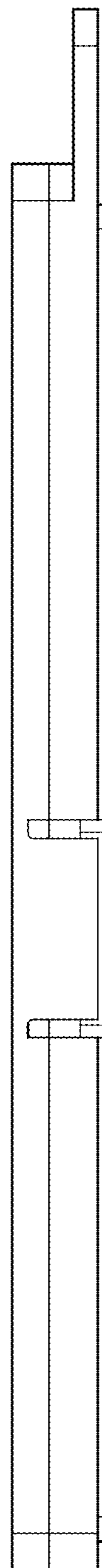


FIG. 8

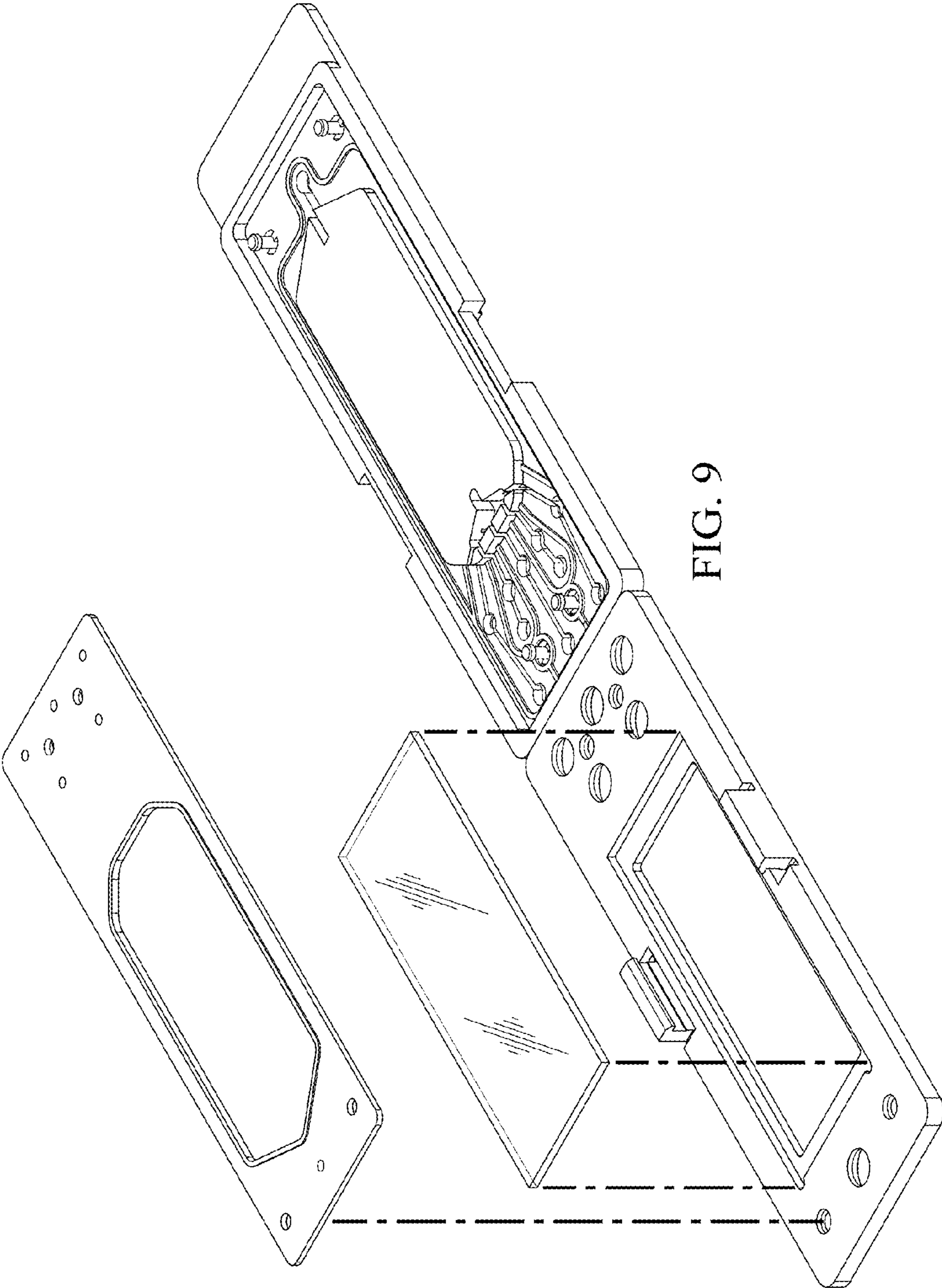


FIG. 9

