



US00D702360S

(12) **United States Design Patent**
Shenker

(10) **Patent No.:** **US D702,360 S**

(45) **Date of Patent:** **** Apr. 8, 2014**

(54) **BABY BOTTLE**

(71) Applicant: **Jonathan Shenker**, Jerusalem (IL)

(72) Inventor: **Jonathan Shenker**, Jerusalem (IL)

(73) Assignee: **Infeed Medica Corp.**, Newark, DE (US)

(**) Term: **14 Years**

(21) Appl. No.: **29/441,687**

(22) Filed: **Jan. 8, 2013**

(51) **LOC (10) Cl.** **07-01**

(52) **U.S. Cl.**
USPC **D24/197**

(58) **Field of Classification Search**
USPC D24/197, 193-99, 215; 215/11.1-11.6,
215/387, 392; D7/393-4, 510, 509;
D9/436, 456, 526, 521, 529;
248/102-7; D23/197; D26/120
See application file for complete search history.

(56) **References Cited**

U.S. PATENT DOCUMENTS

D428,816 S * 8/2000 Shiokawa et al. D9/521
D459,155 S * 6/2002 Atkin et al. D7/510
D499,808 S * 12/2004 Mallet D24/197
D517,919 S * 3/2006 Walters D9/521

7,172,084 B1 * 2/2007 Williams et al. 215/11.1
7,234,606 B2 * 6/2007 Kraus et al. 215/11.1
D555,795 S * 11/2007 Mallet D24/197
D650,119 S * 12/2011 Yang et al. D26/120
D650,120 S * 12/2011 Yang et al. D26/120
D673,283 S * 12/2012 Mitchell D24/197
D685,487 S * 7/2013 Lhomme et al. D24/197
D686,740 S * 7/2013 Boonprasop D24/197

* cited by examiner

Primary Examiner — Cathron Brooks

Assistant Examiner — Sydney R Buffalow

(74) *Attorney, Agent, or Firm* — Blue Filament Law PLLC;
Avery N. Goldstein

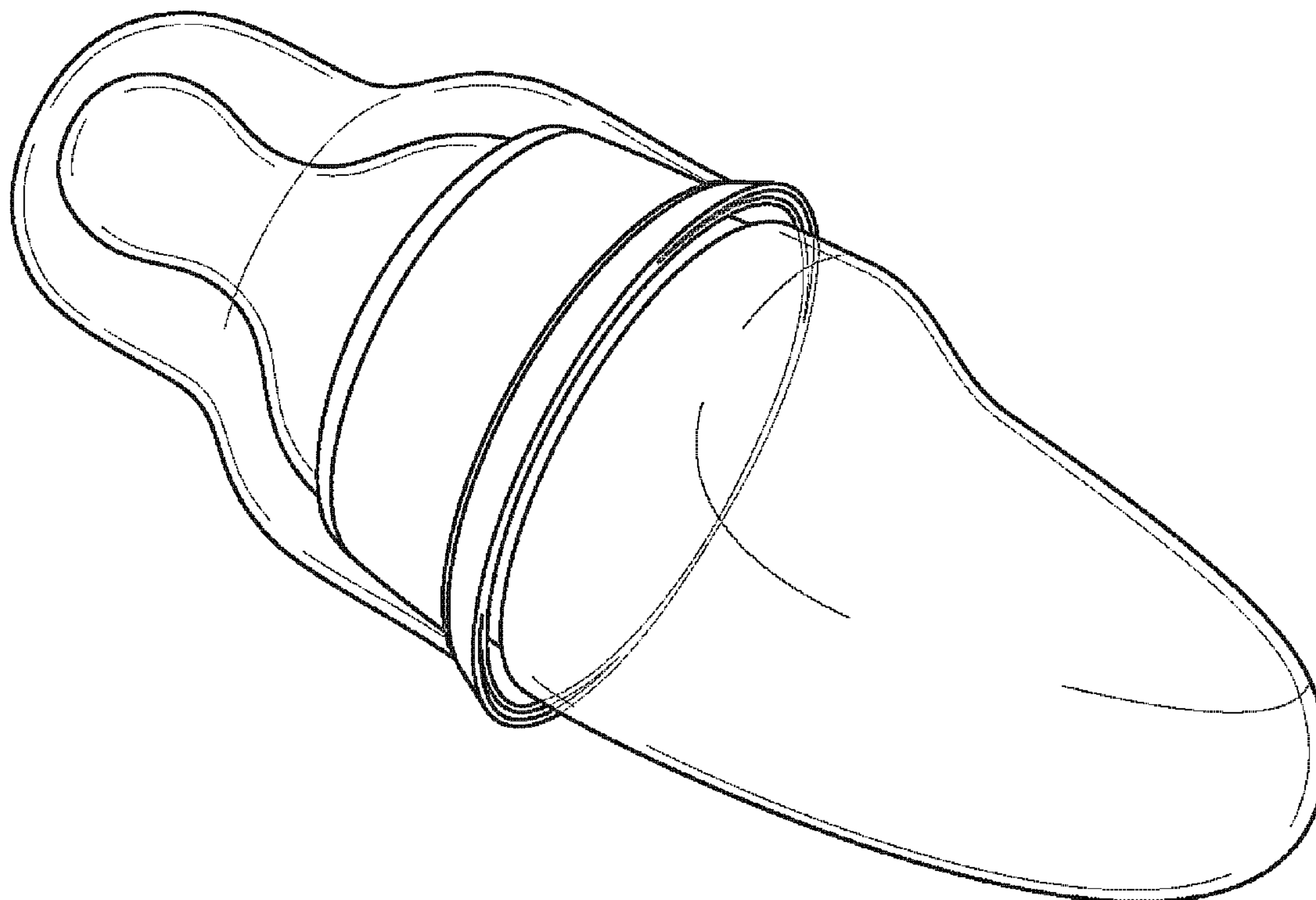
(57) **CLAIM**

The ornamental design for a baby bottle, as shown and described.

DESCRIPTION

FIG. 1 is a perspective view of a baby bottle;
FIG. 2 is a first side view of the baby bottle depicted in FIG. 1;
FIG. 3 is an opposing view to the side view of FIG. 2;
FIG. 4 is an orthogonal side view to the side view of FIG. 2;
FIG. 5 is an opposing orthogonal side view to that depicted in FIG. 4; and
FIG. 6 is a front view of the baby bottle depicted in FIG. 1; and,
FIG. 7 is a bottom view of the baby bottle depicted in FIG. 1.

1 Claim, 6 Drawing Sheets



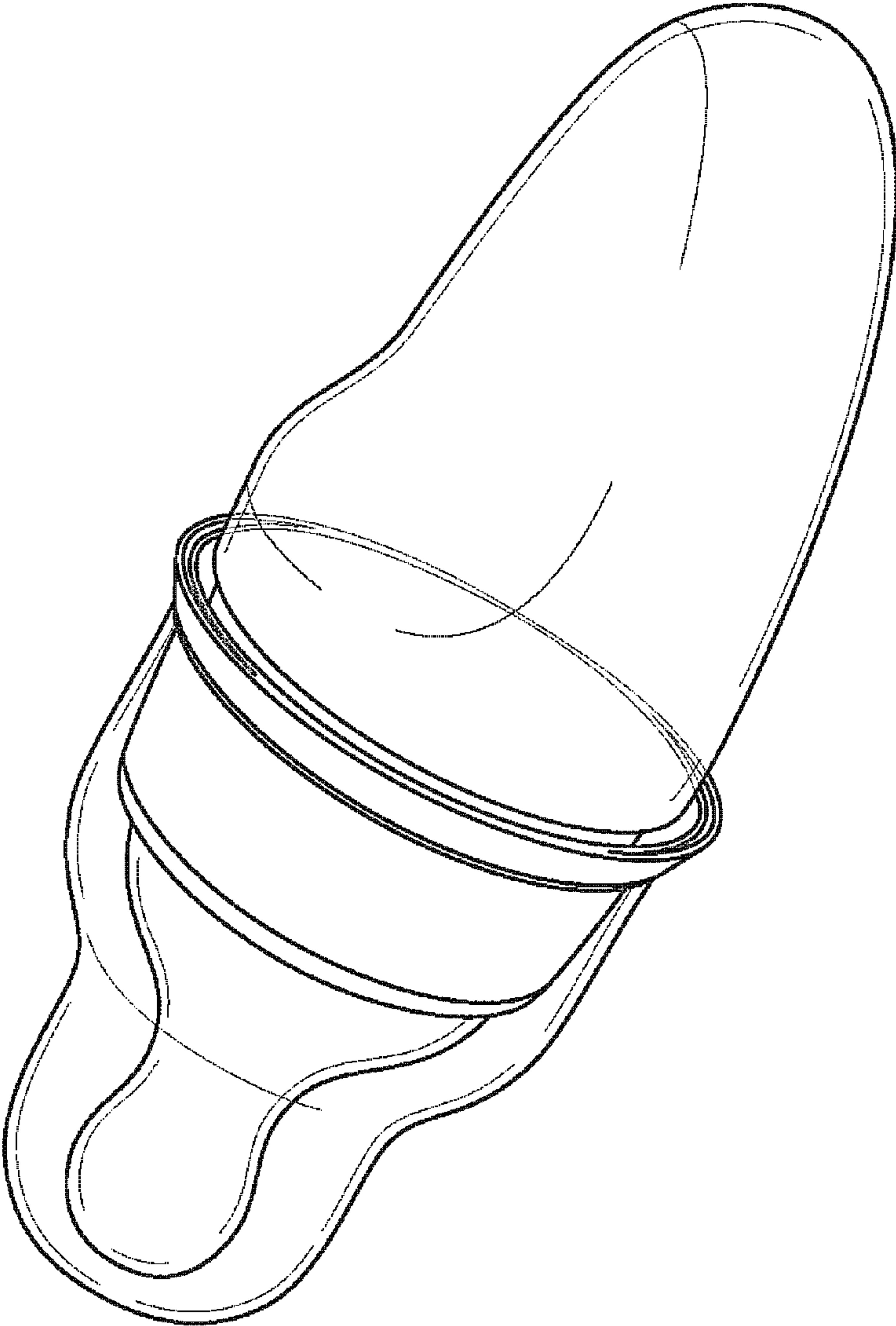


FIGURE 1

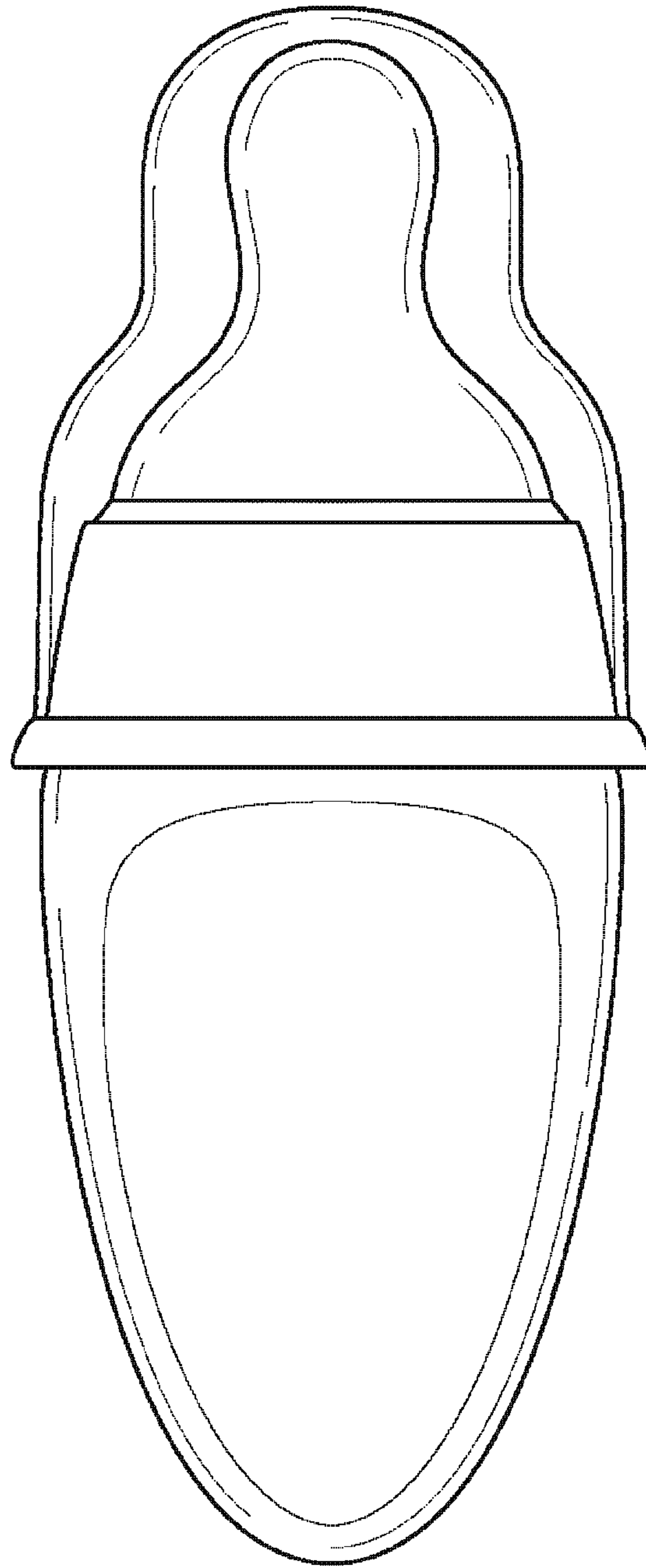


FIGURE 2

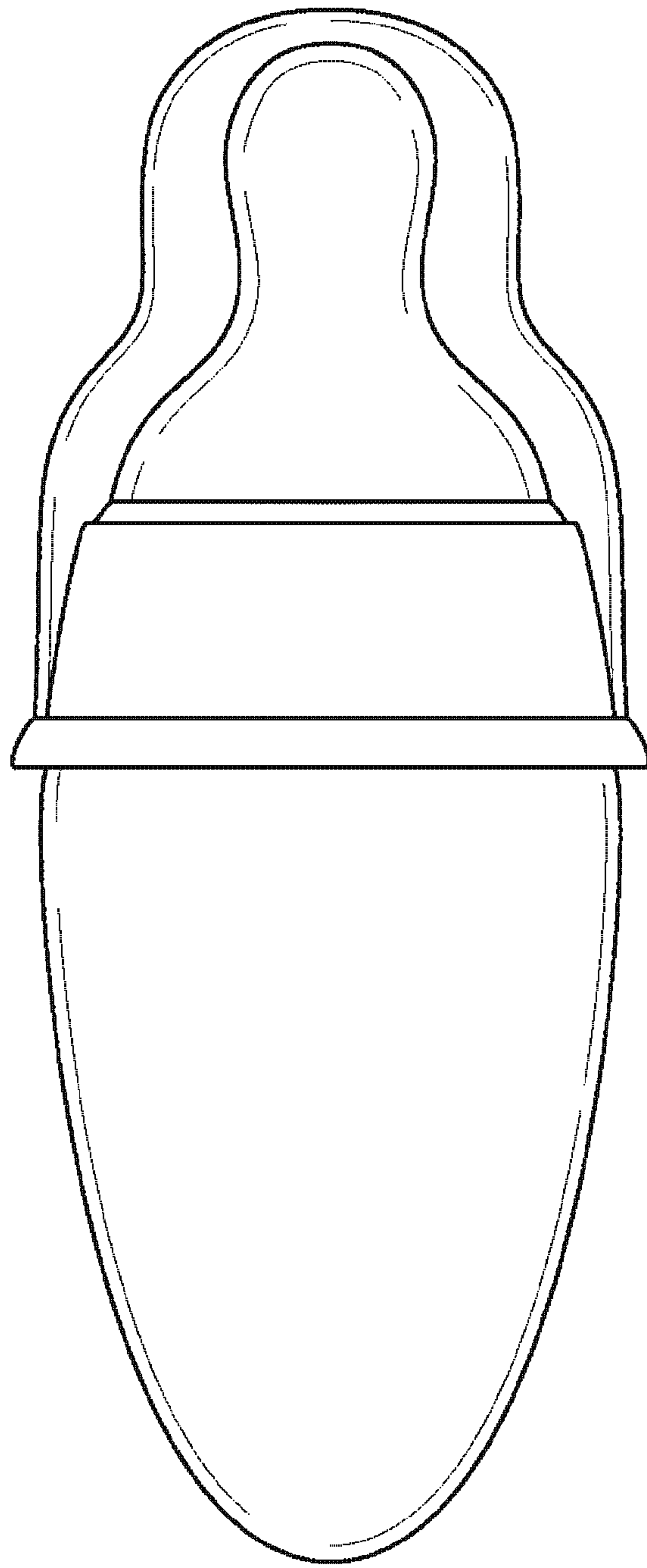


FIGURE 3

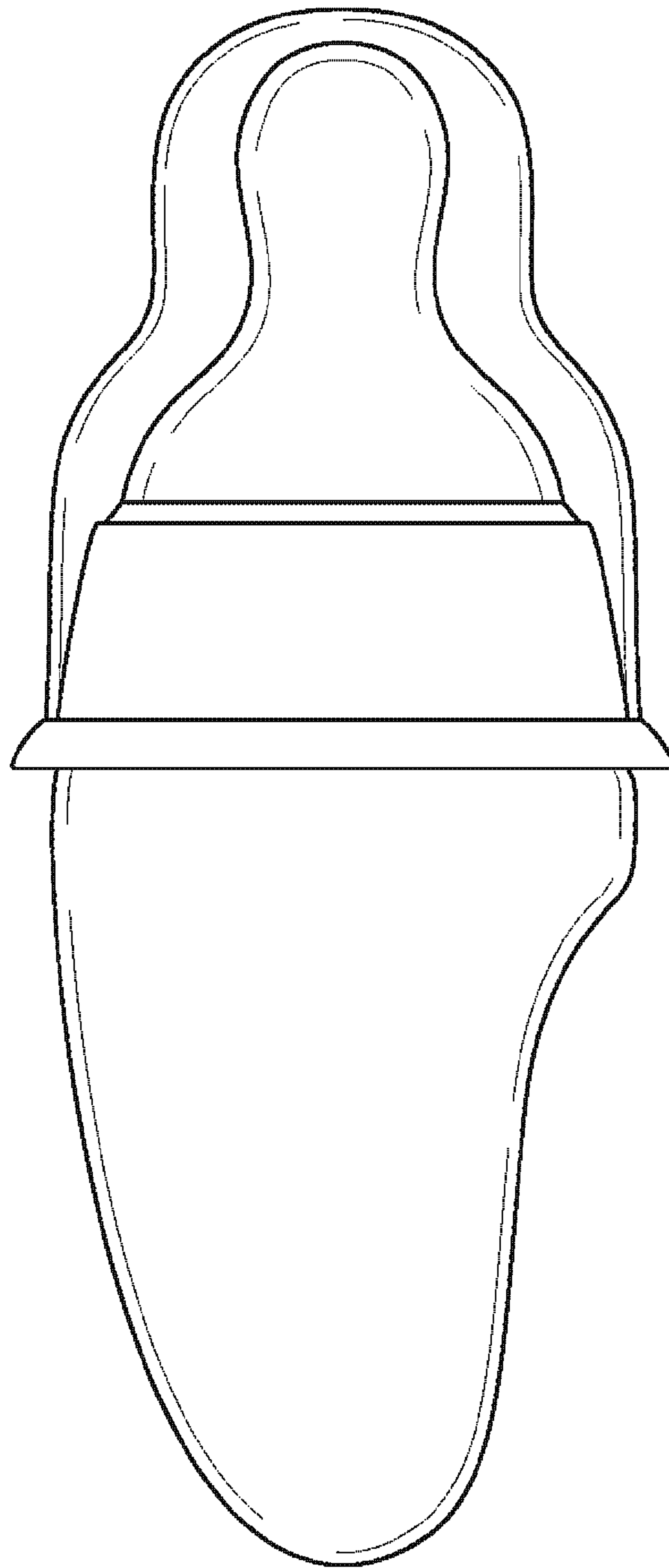


FIGURE 4

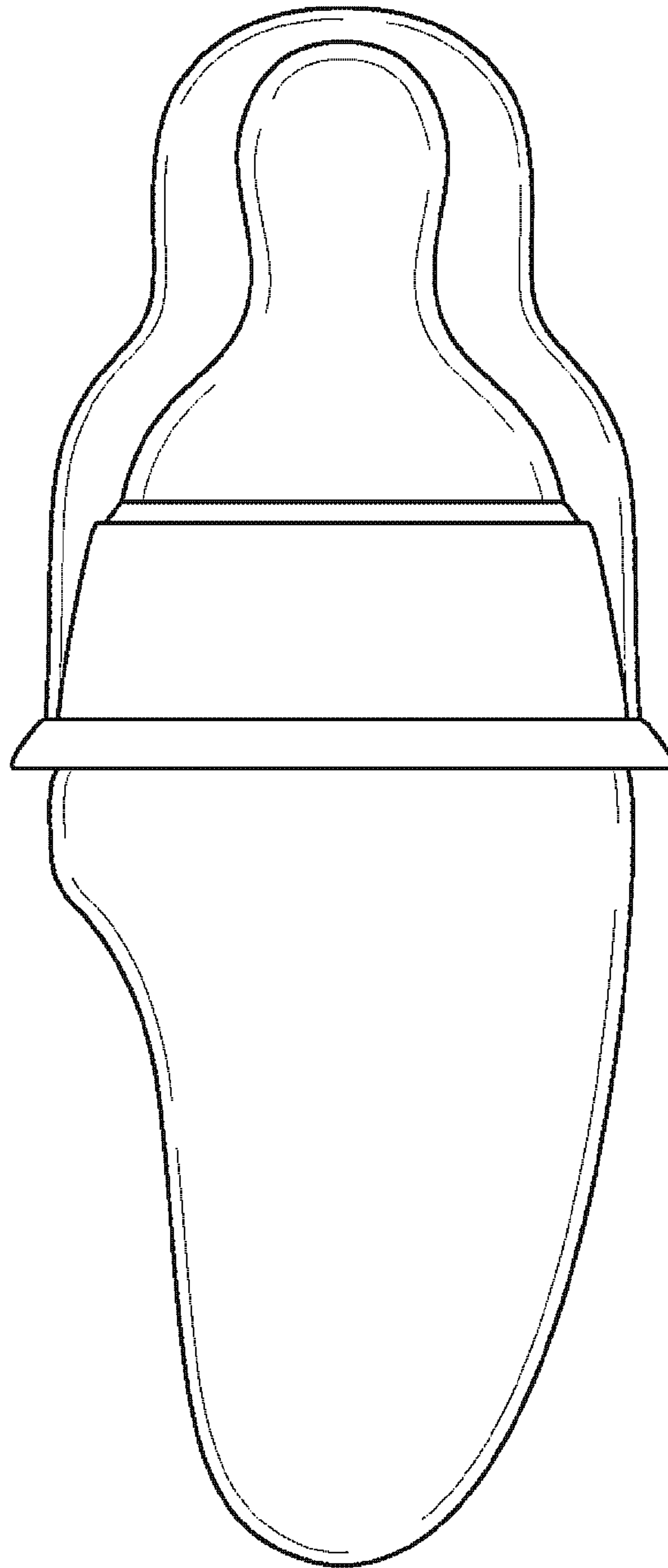


FIGURE 5

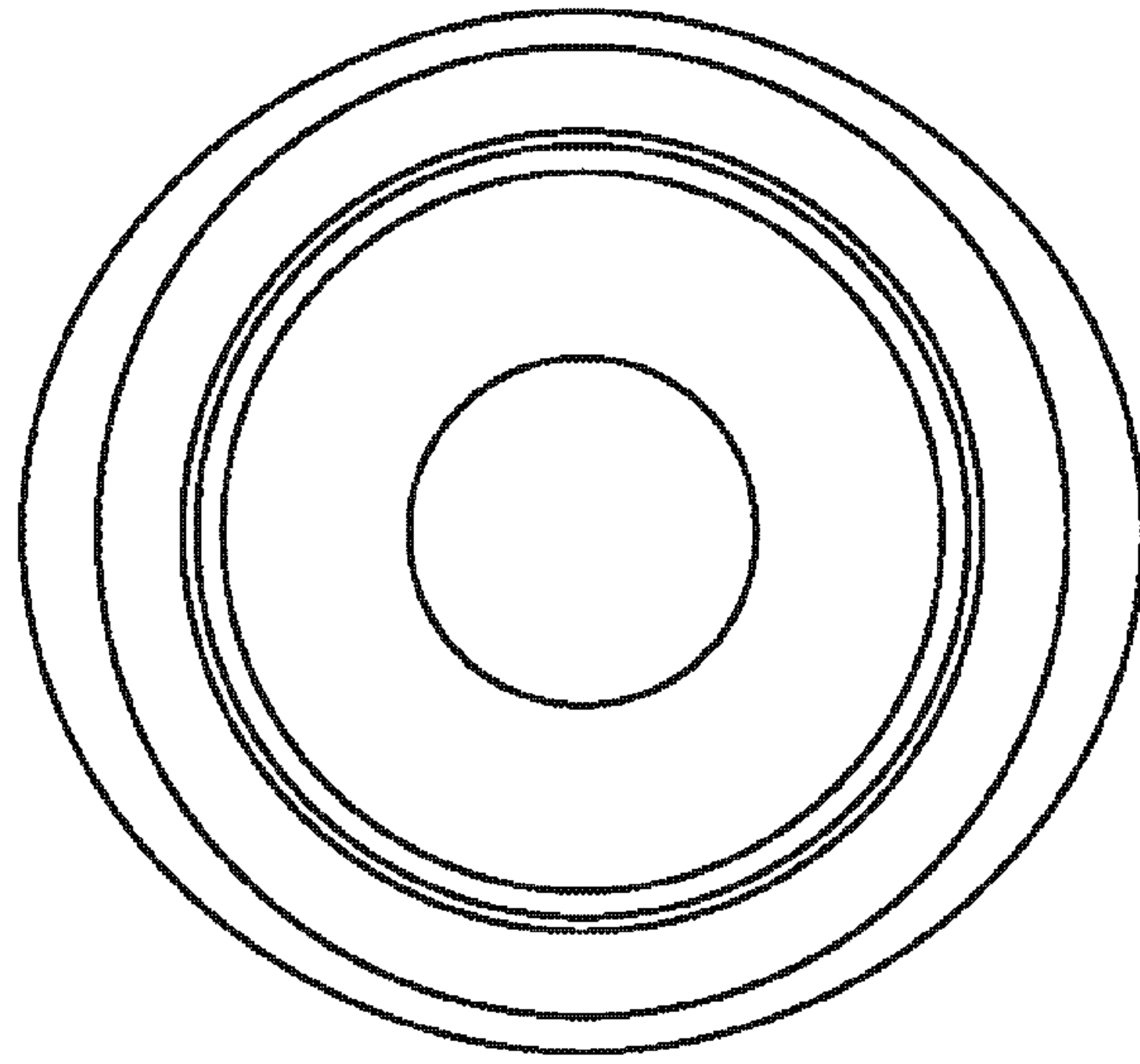


FIGURE 6

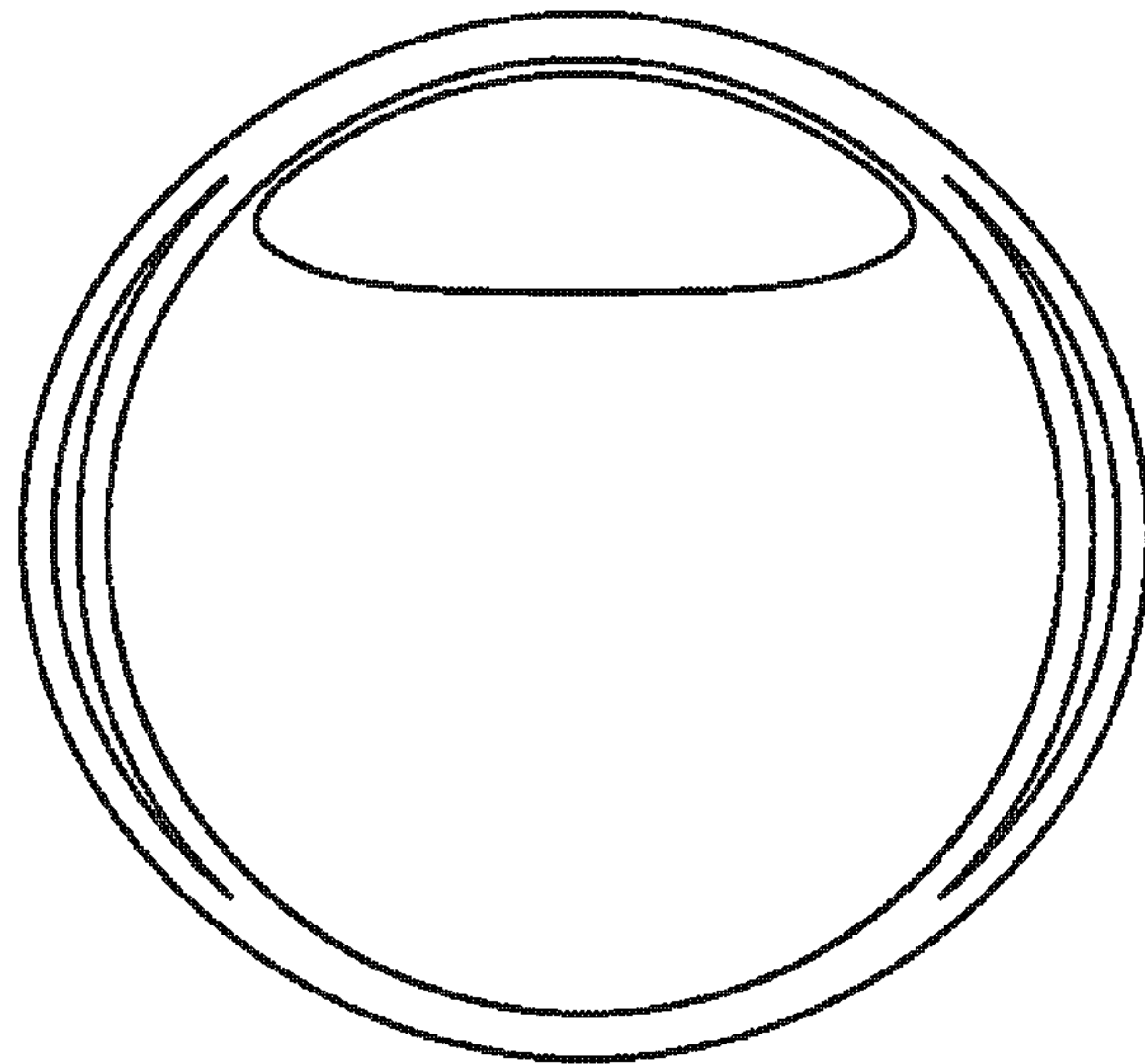


FIGURE 7