



US00D702353S

(12) **United States Design Patent**
Fujimoto et al.

(10) **Patent No.:** **US D702,353 S**
(45) **Date of Patent:** **** Apr. 8, 2014**

(54) **OXYGEN CONCENTRATING APPARATUS**

FOREIGN PATENT DOCUMENTS

(75) Inventors: **Katsushi Fujimoto**, Iwakuni (JP);
Nozomi Miya, Shinjuku-ku (JP)

JP	D1096642 S	1/2001
JP	D1154513 S	9/2002
JP	D1154786 S	9/2002
JP	D1167851 S	3/2003
JP	D1319419 S	1/2008

(73) Assignee: **Teijin Pharma Limited**, Tokyo (JP)

(**) Term: **14 Years**

* cited by examiner

(21) Appl. No.: **29/430,106**

Primary Examiner — Robert M Spear
Assistant Examiner — Rhea Shields

(22) Filed: **Aug. 21, 2012**

(74) *Attorney, Agent, or Firm* — Sughrue Mion, PLLC

(30) **Foreign Application Priority Data**

Feb. 23, 2012 (JP) 2012-003789

(51) **LOC (10) Cl.** **24-00**

(52) **U.S. Cl.**
USPC **D24/164**

(58) **Field of Classification Search**
USPC D24/164, 110, 110.5, 110.6, 167, 186,
D24/185, 231, 234, 129, 118; 600/424, 426,
600/407; 606/96, 97, 98

See application file for complete search history.

(56) **References Cited**

U.S. PATENT DOCUMENTS

D528,212 S	*	9/2006	Conway et al.	D24/164
D604,417 S	*	11/2009	Fujimoto et al.	D24/164
D606,655 S	*	12/2009	Wilkinson et al.	D24/164
D607,107 S	*	12/2009	McCombs et al.	D24/164
D642,273 S	*	7/2011	McCombs et al.	D24/164

(57) **CLAIM**

The ornamental design for an oxygen concentrating apparatus, as shown and described.

DESCRIPTION

FIG. 1 is a perspective view of an oxygen concentrating apparatus showing our new design;
FIG. 2 is a front elevational view thereof;
FIG. 3 is a rear elevational view thereof;
FIG. 4 is a right side elevational view thereof;
FIG. 5 is a left side elevational view thereof;
FIG. 6 is a top plan view thereof; and,
FIG. 7 is a bottom plan view thereof.

The broken lines in FIGS. 1 to 7 are included for the purposes of illustrating portions of the oxygen concentrating apparatus that form no part of the claimed design.

1 Claim, 7 Drawing Sheets

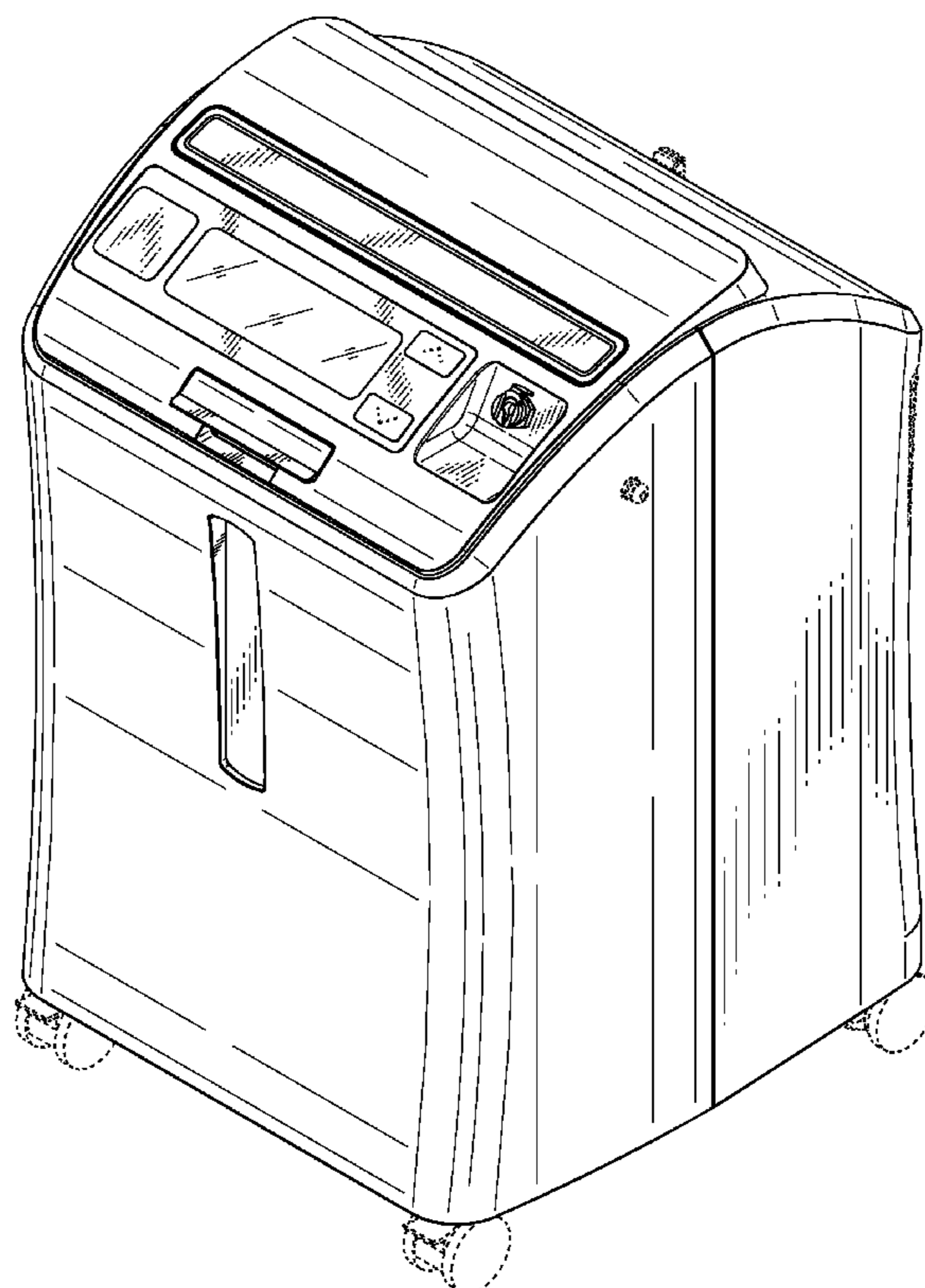


Fig. 1

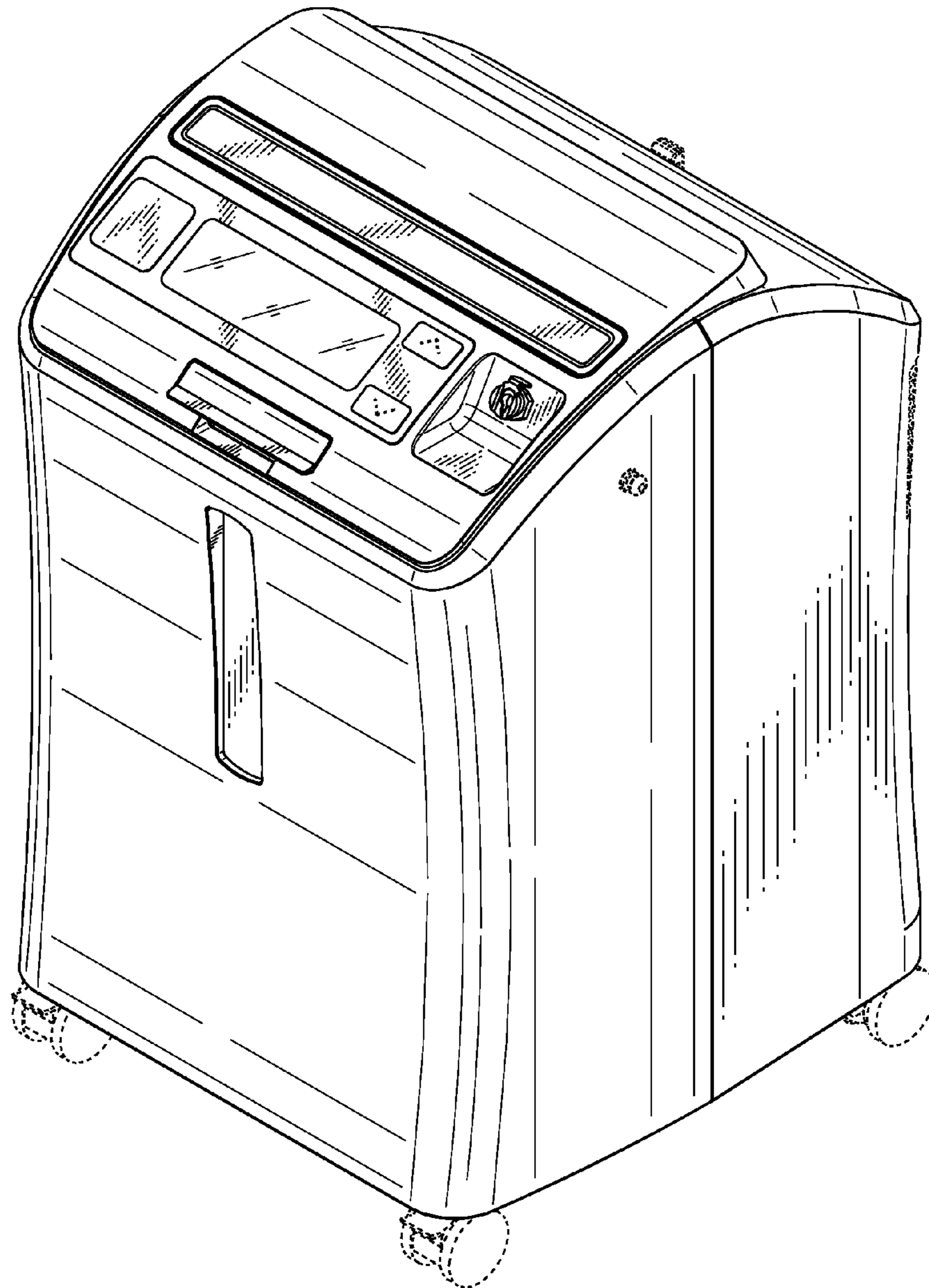


Fig.2

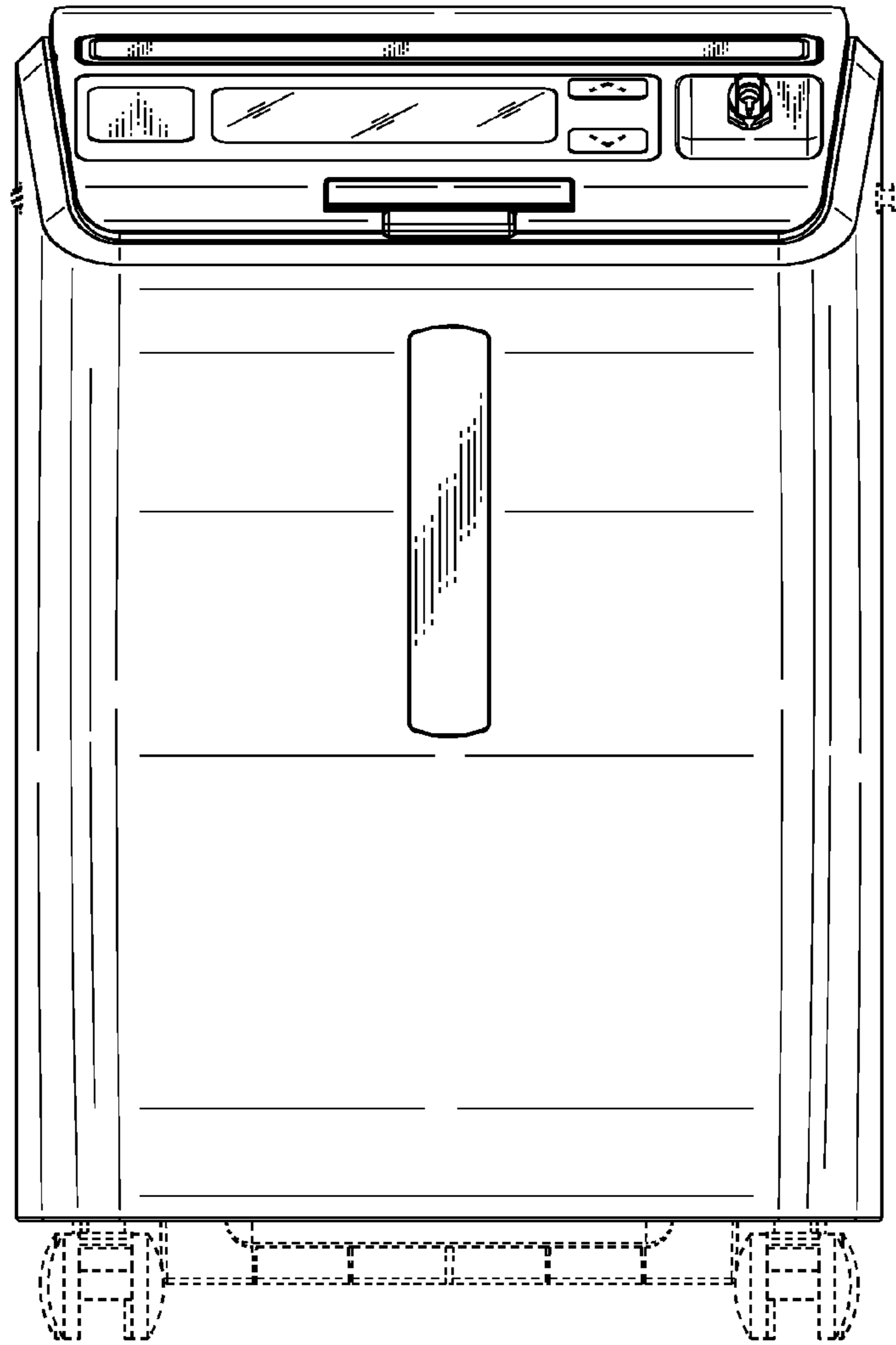


Fig.3

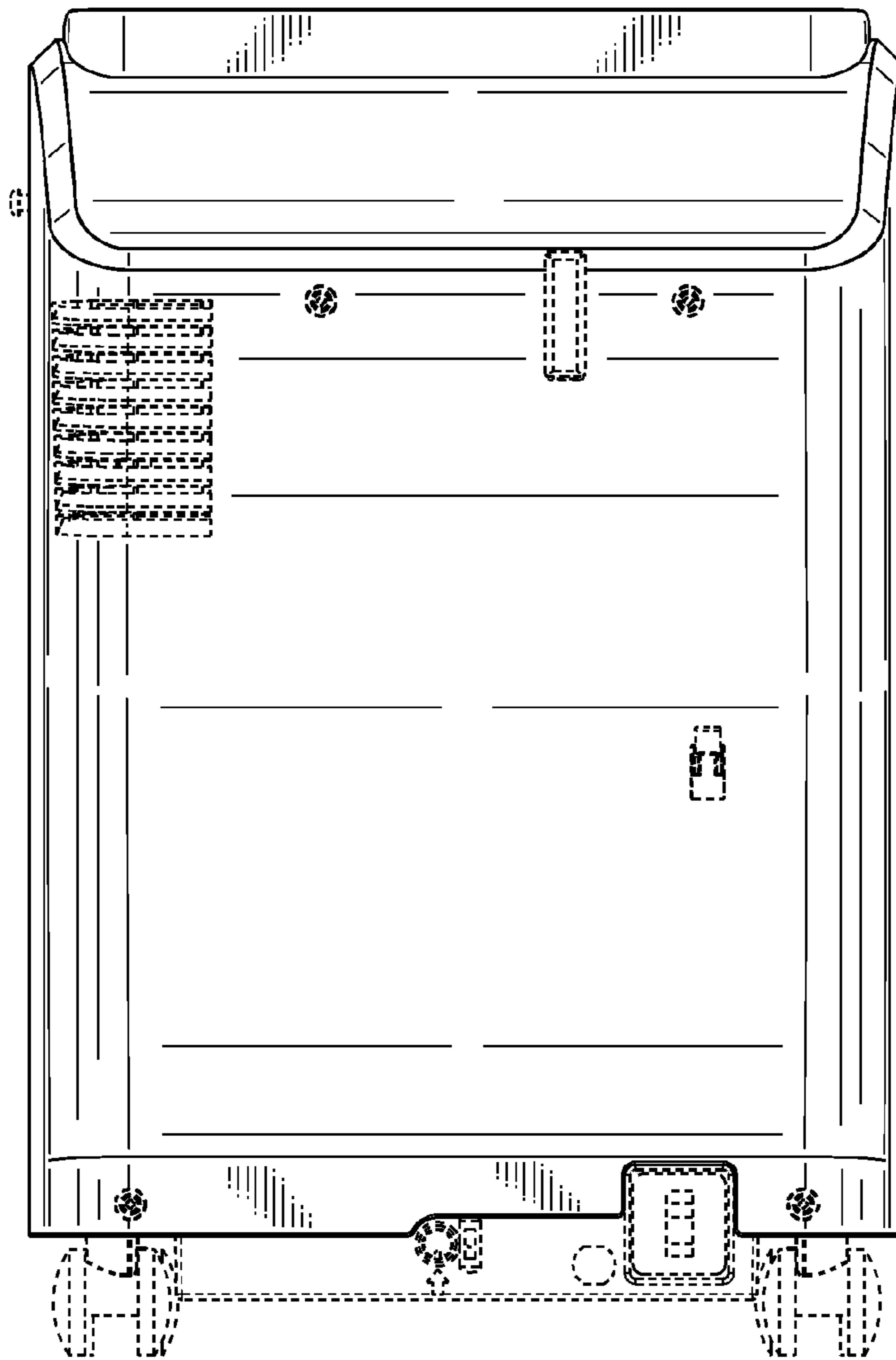


Fig.4

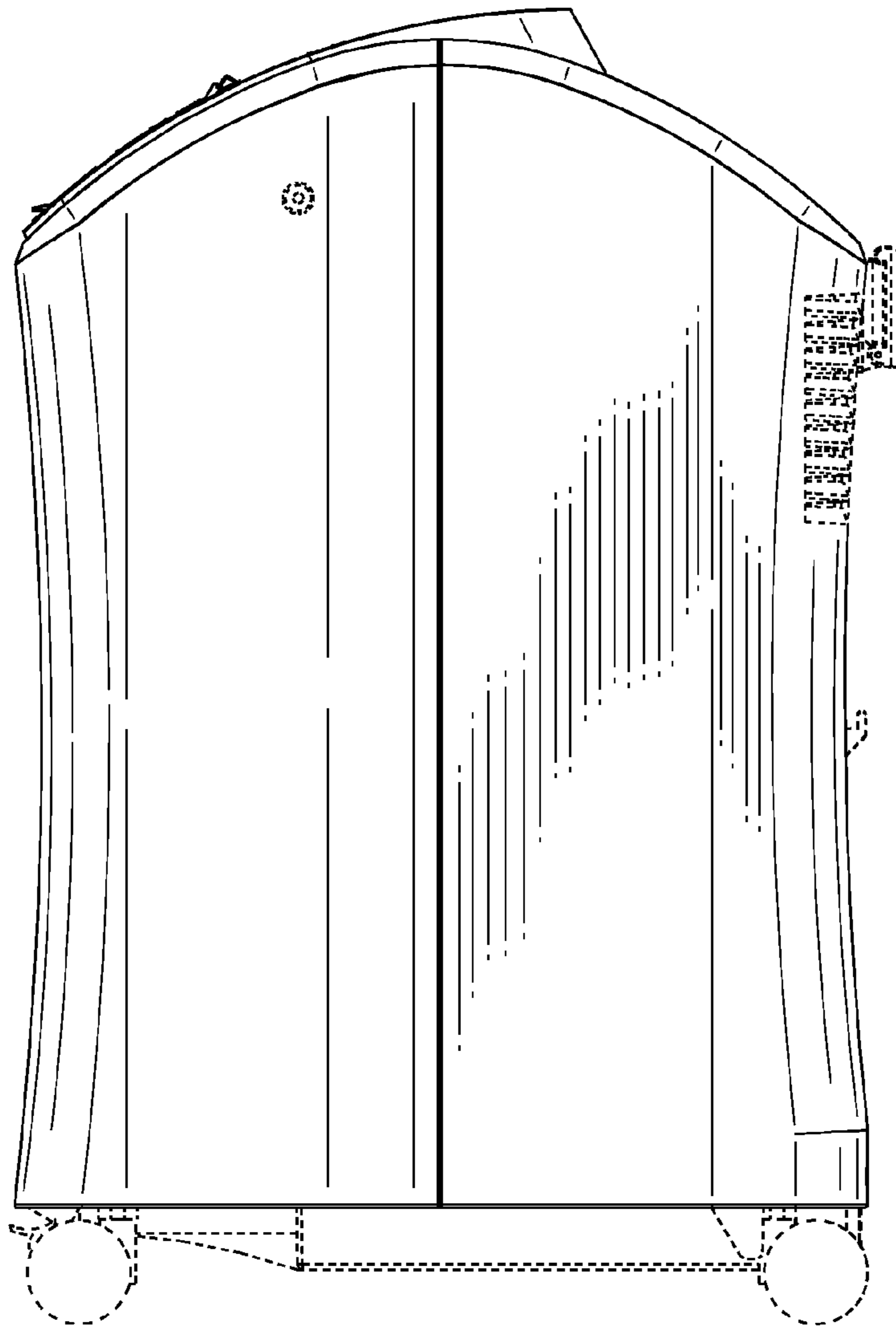


Fig.5

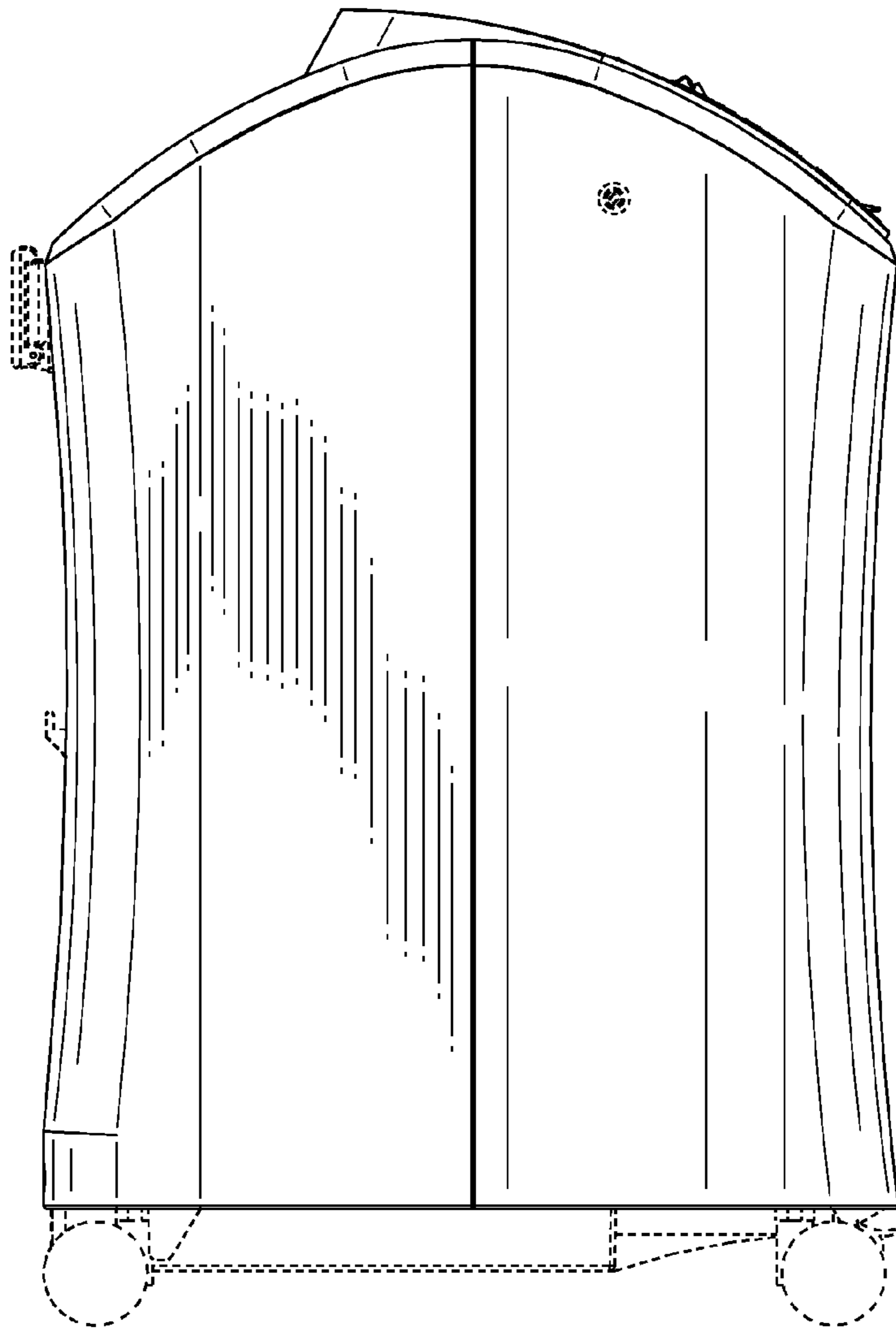


Fig.6

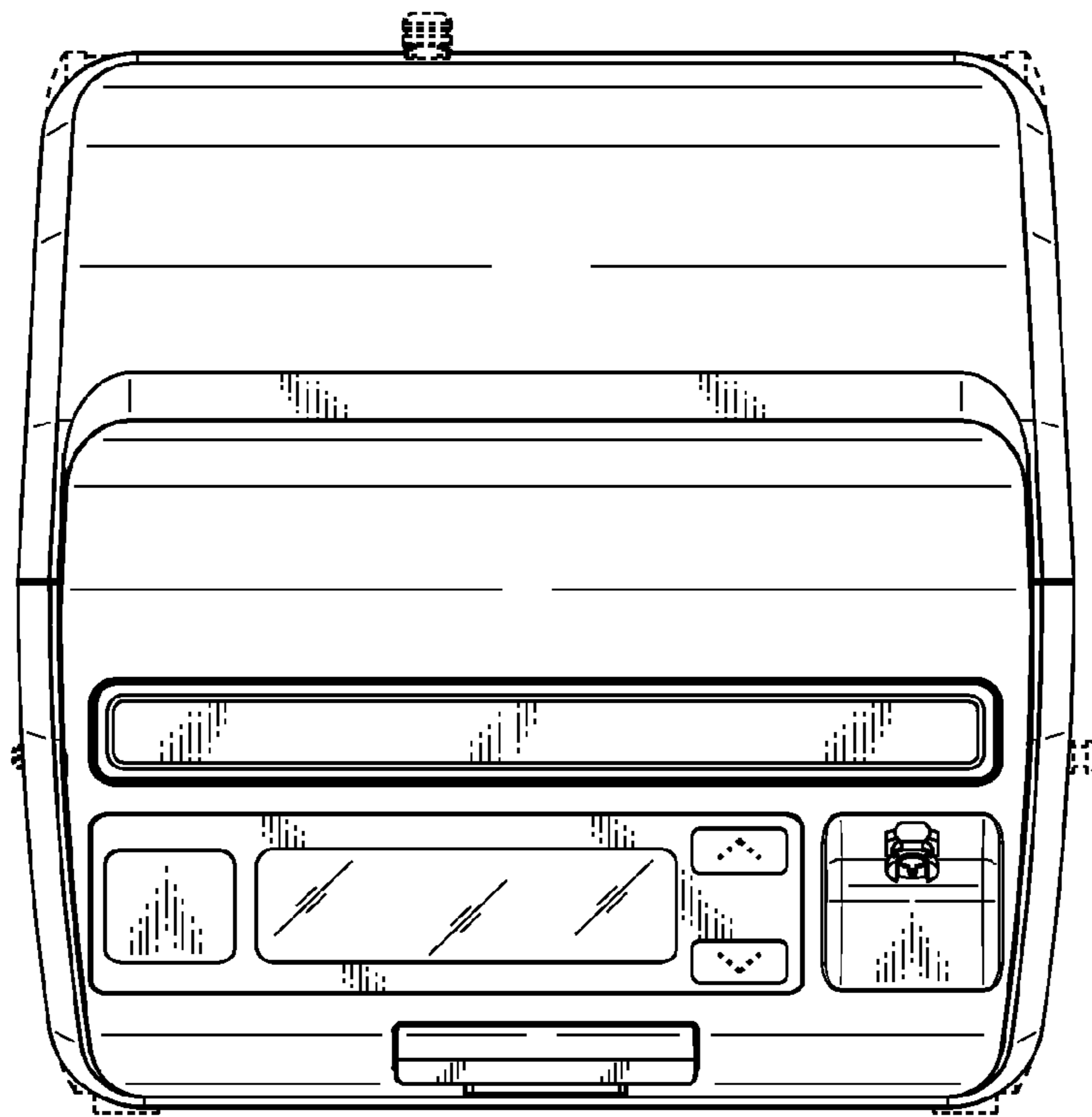


Fig.7

