



US00D702351S

(12) **United States Design Patent**  
**Li et al.**

(10) **Patent No.:** **US D702,351 S**

(45) **Date of Patent:** **\*\* Apr. 8, 2014**

(54) **X-RAY TUBE FOR MEDICAL IMAGING FIELD**

(71) Applicant: **Shanghai United Imaging Healthcare Co., Ltd.**, Shanghai (CN)

(72) Inventors: **Qing Li**, Shanghai (CN); **Minkai Liu**, Shanghai (CN)

(73) Assignee: **Shanghai United Imaging Healthcare Co., Ltd.**, Shanghai (CN)

(\*\*) Term: **14 Years**

(21) Appl. No.: **29/444,558**

(22) Filed: **Jan. 31, 2013**

(30) **Foreign Application Priority Data**

Aug. 30, 2012 (CN) ..... 2012 3 0414695

(51) **LOC (10) Cl.** ..... **24-01**

(52) **U.S. Cl.**  
USPC ..... **D24/158**

(58) **Field of Classification Search**  
USPC ..... D24/158-161, 185, 186; 378/4, 15, 17,  
378/20, 21, 23-27, 62, 68, 146, 195-198,  
378/57

See application file for complete search history.

(56) **References Cited**

**U.S. PATENT DOCUMENTS**

3,373,285 A \* 3/1968 Barrett ..... 378/194  
3,891,856 A \* 6/1975 Amor et al. .... 378/197

D558,877 S \* 1/2008 Ogiwara ..... D24/158  
D612,501 S \* 3/2010 Richenberger ..... D24/158  
D671,216 S \* 11/2012 Moon et al. .... D24/158  
D671,217 S \* 11/2012 Moon et al. .... D24/158  
2011/0182408 A1\* 7/2011 Graf et al. .... 378/62  
2012/0087479 A1\* 4/2012 Moon et al. .... 378/189  
2012/0207274 A1\* 8/2012 Yang et al. .... 378/62

\* cited by examiner

*Primary Examiner* — Anhdao Doan

(74) *Attorney, Agent, or Firm* — Houtteman Law LLC

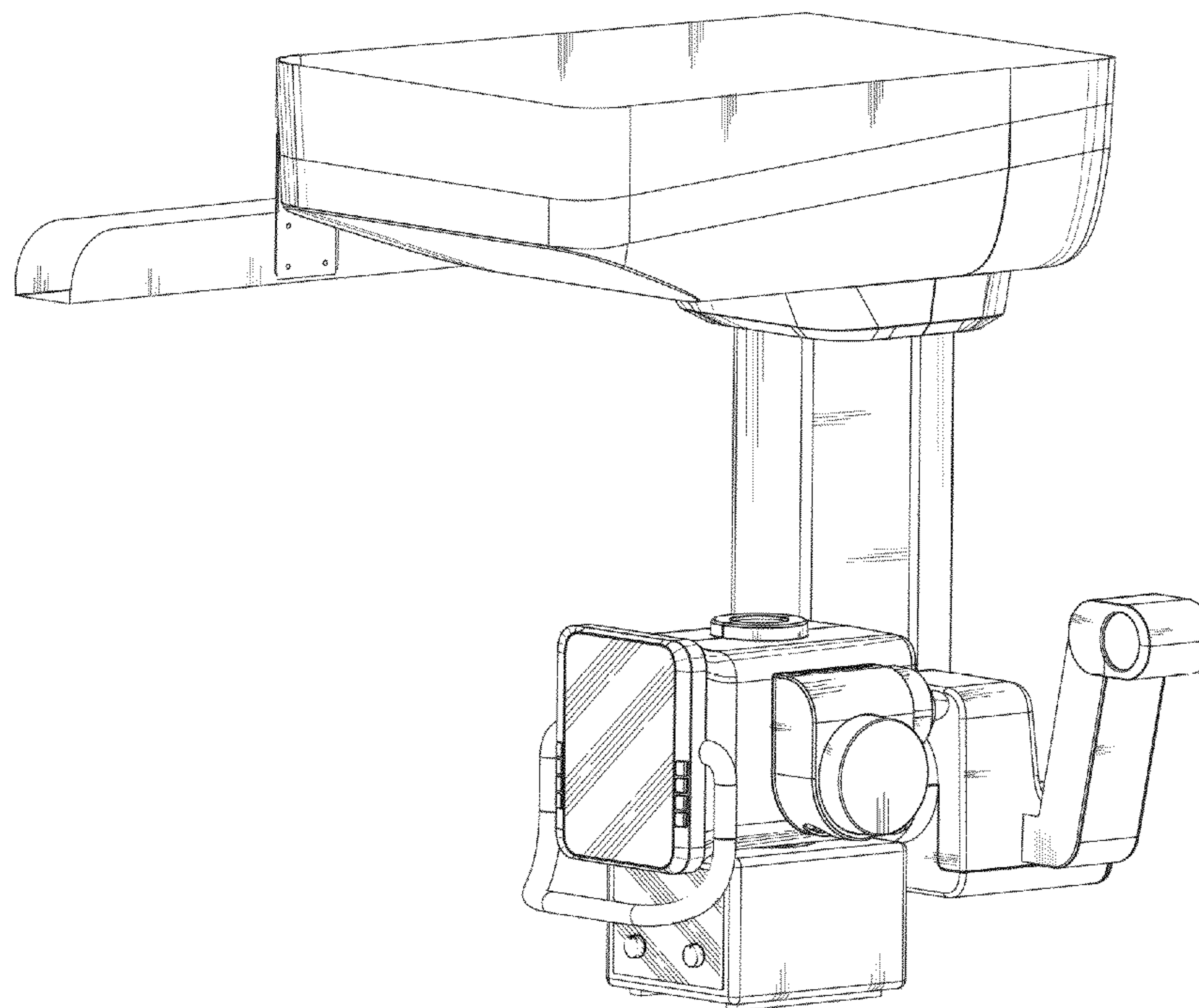
(57) **CLAIM**

The ornamental design for a x-ray tube for medical imaging field, as shown and described.

**DESCRIPTION**

FIG. 1 is a perspective view of a x-ray tube for medical imaging field showing my new design;  
FIG. 2 is a front side view of the x-ray tube for medical imaging field shown in FIG. 1;  
FIG. 3 is a rear side view of the x-ray tube for medical imaging field shown in FIG. 1;  
FIG. 4 is a right side view of the x-ray tube for medical imaging field shown in FIG. 1;  
FIG. 5 is a left side view of the x-ray tube for medical imaging field shown in FIG. 1;  
FIG. 6 is a top view of the x-ray tube for medical imaging field shown in FIG. 1;  
FIG. 7 is a bottom view of the x-ray tube for medical imaging field shown in FIG. 1; and,  
FIG. 8 is another perspective view of the x-ray tube for medical imaging field shown in FIG. 1.

**1 Claim, 8 Drawing Sheets**



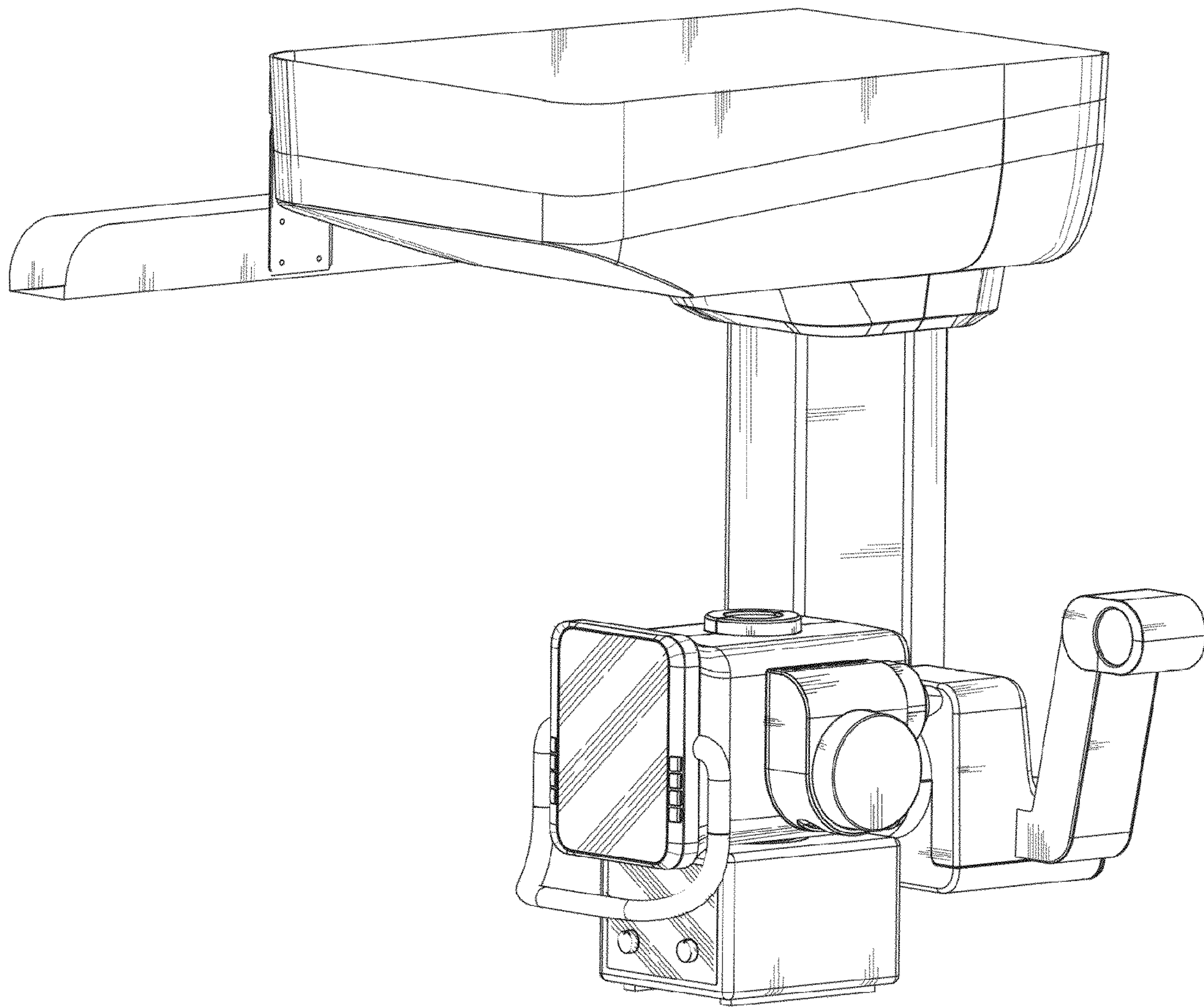


FIG. 1

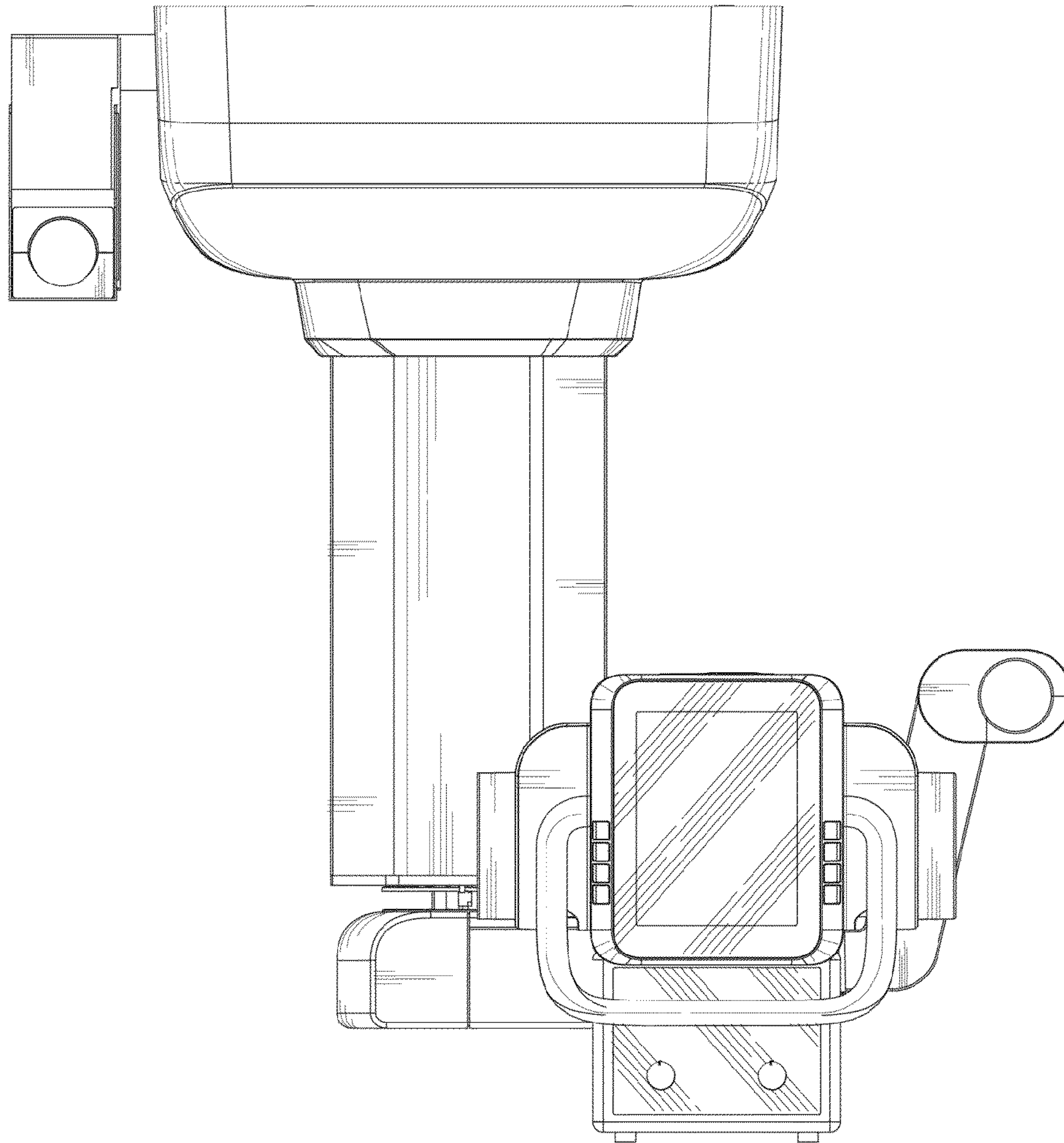


FIG. 2



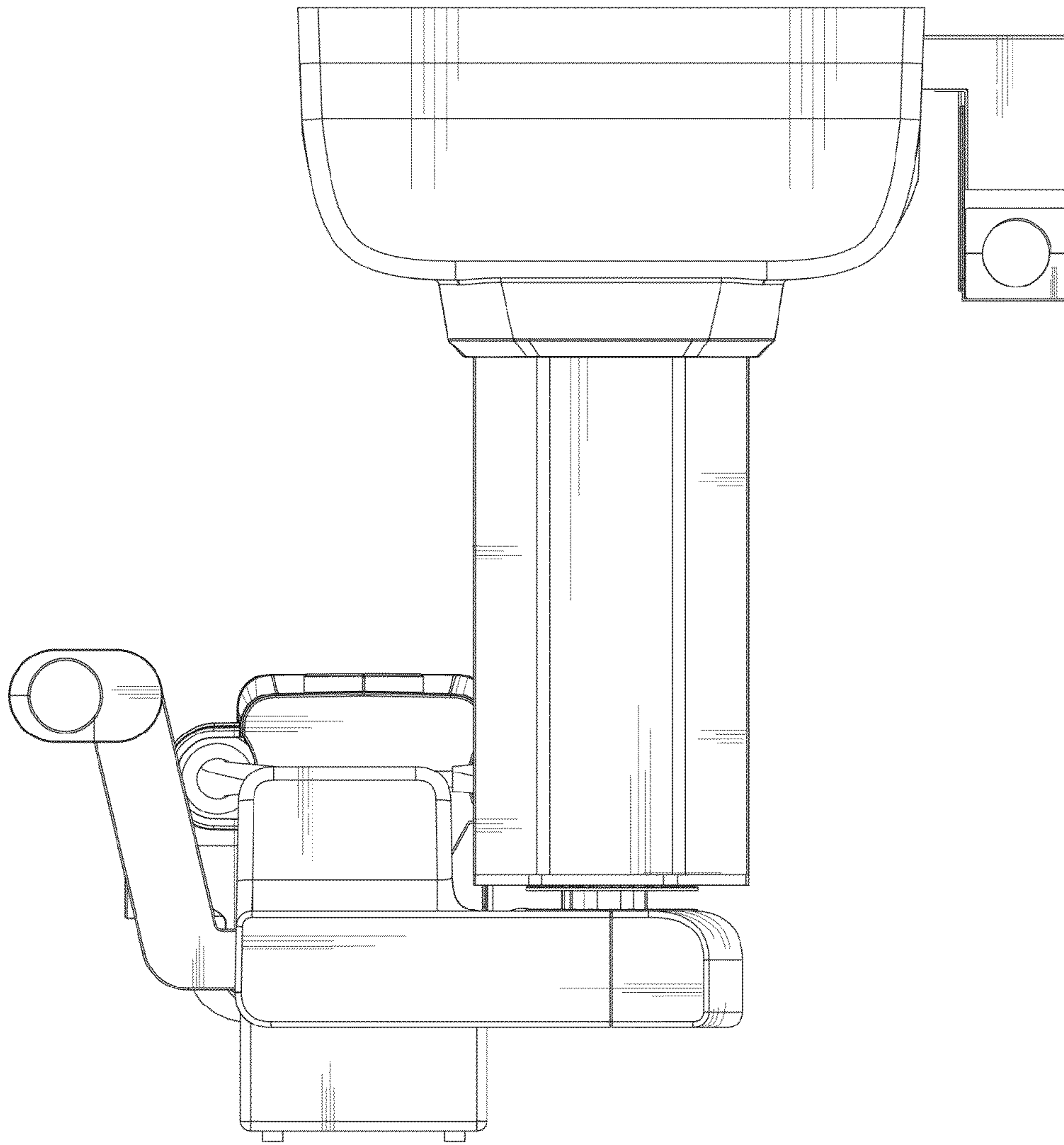


FIG. 3

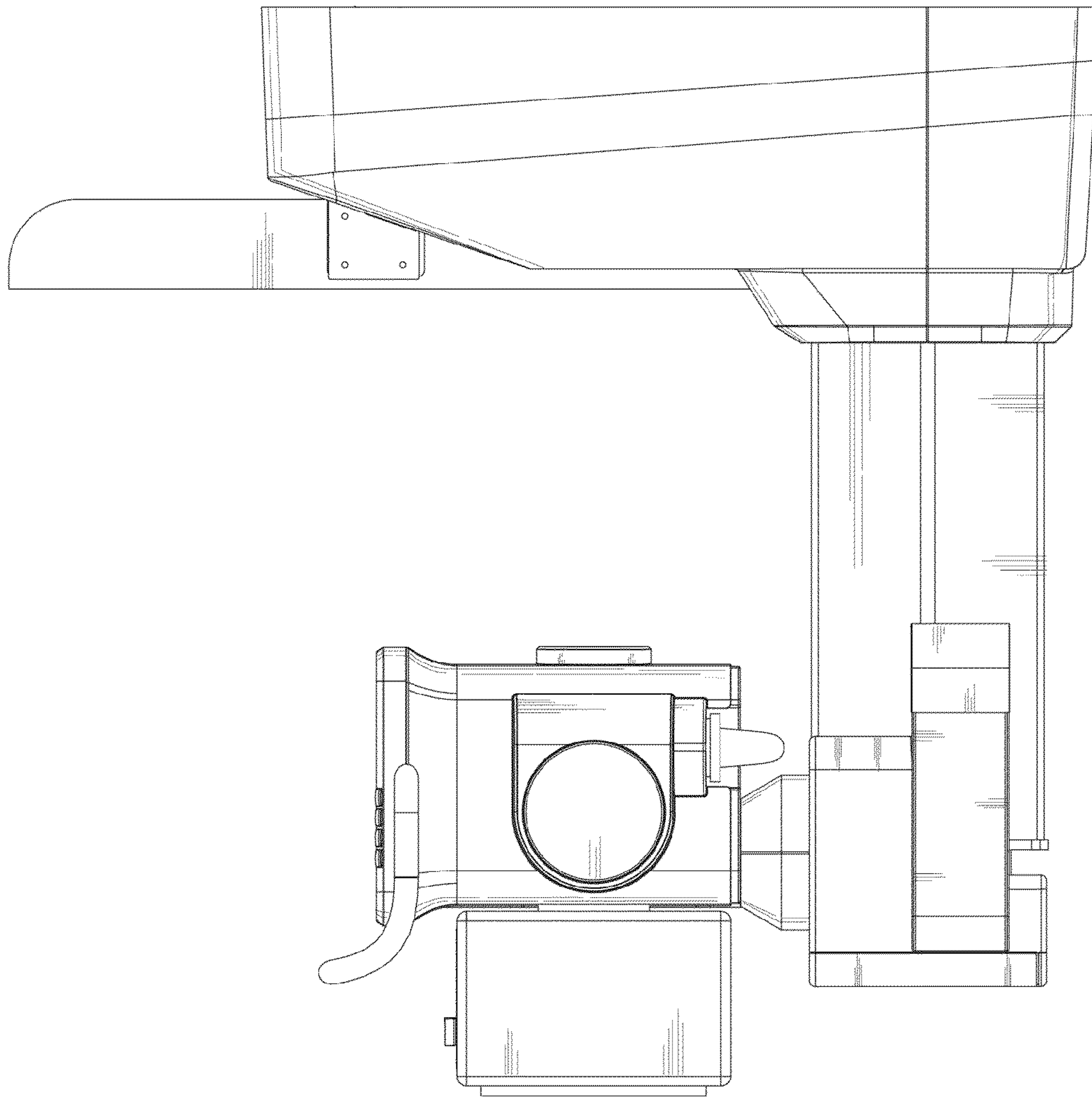


FIG. 4

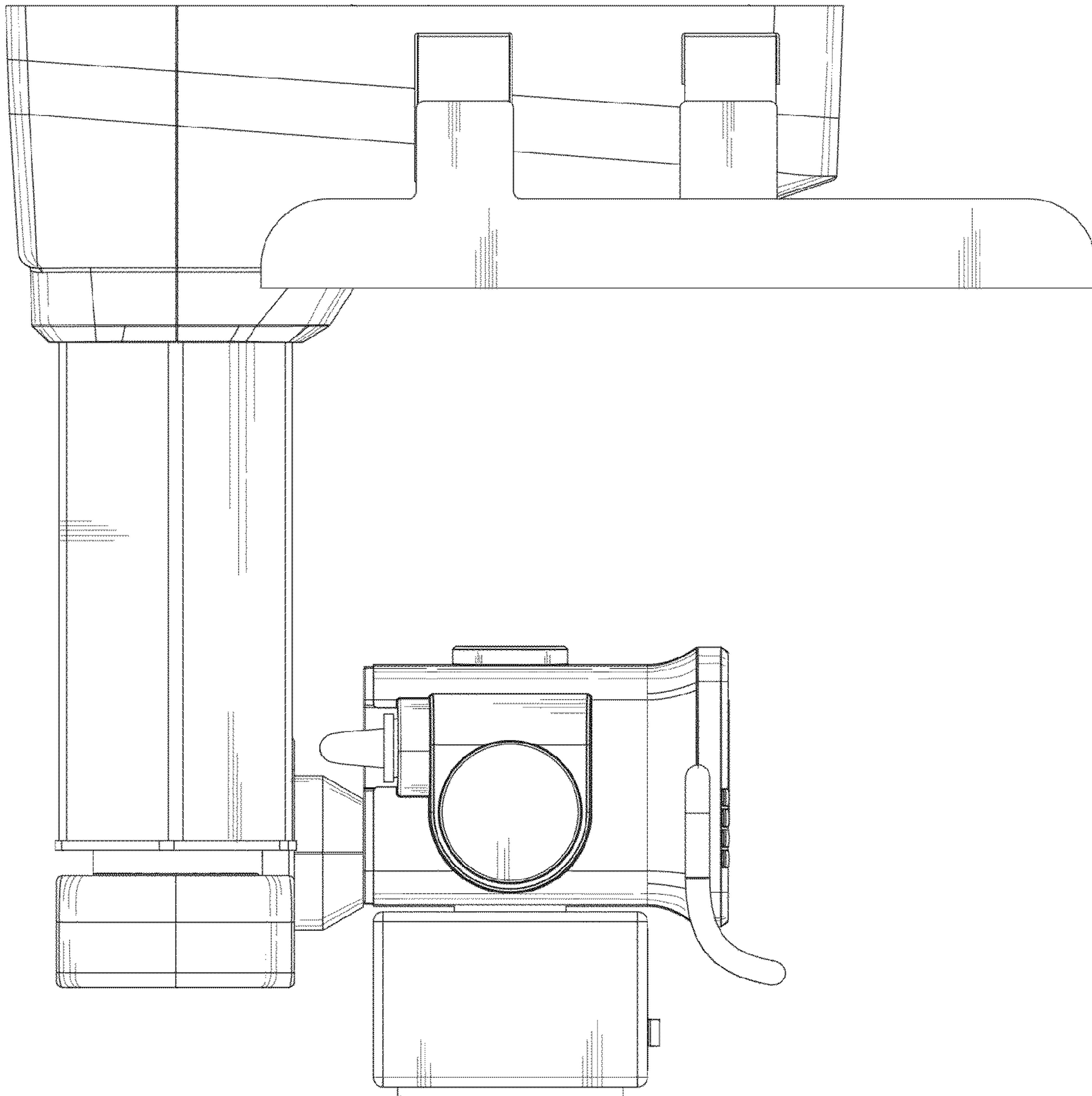


FIG. 5

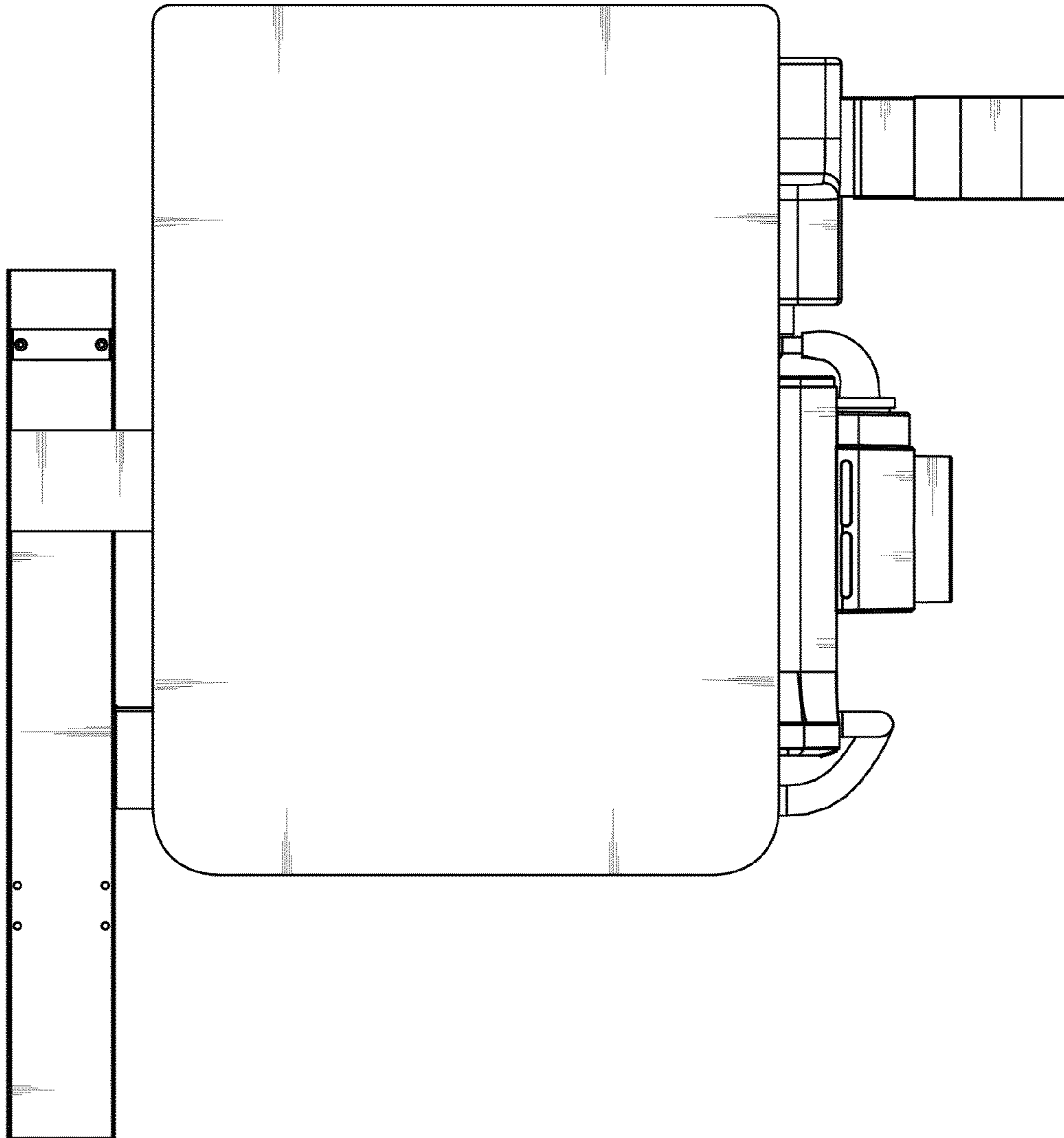


FIG. 6

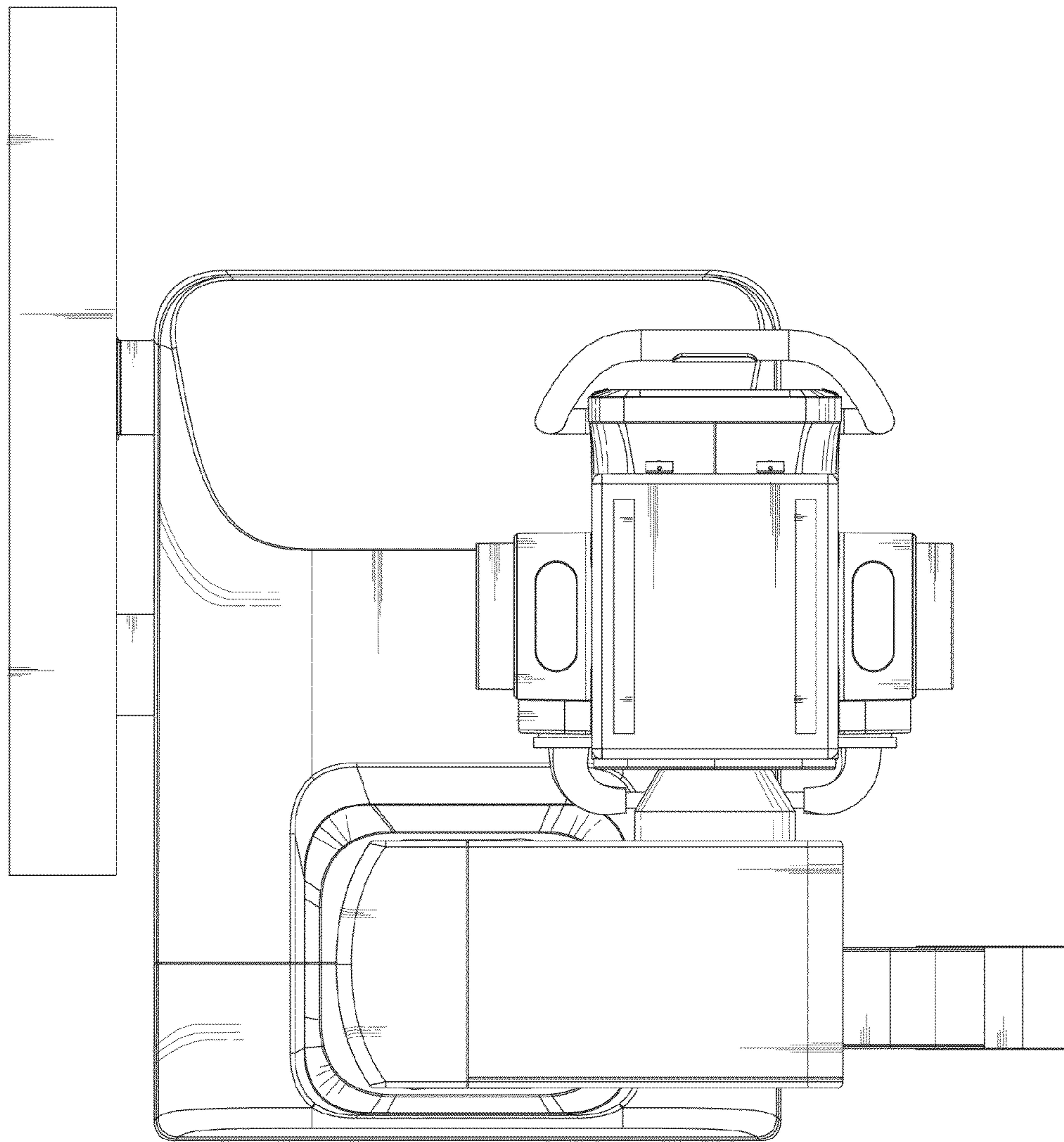


FIG. 7



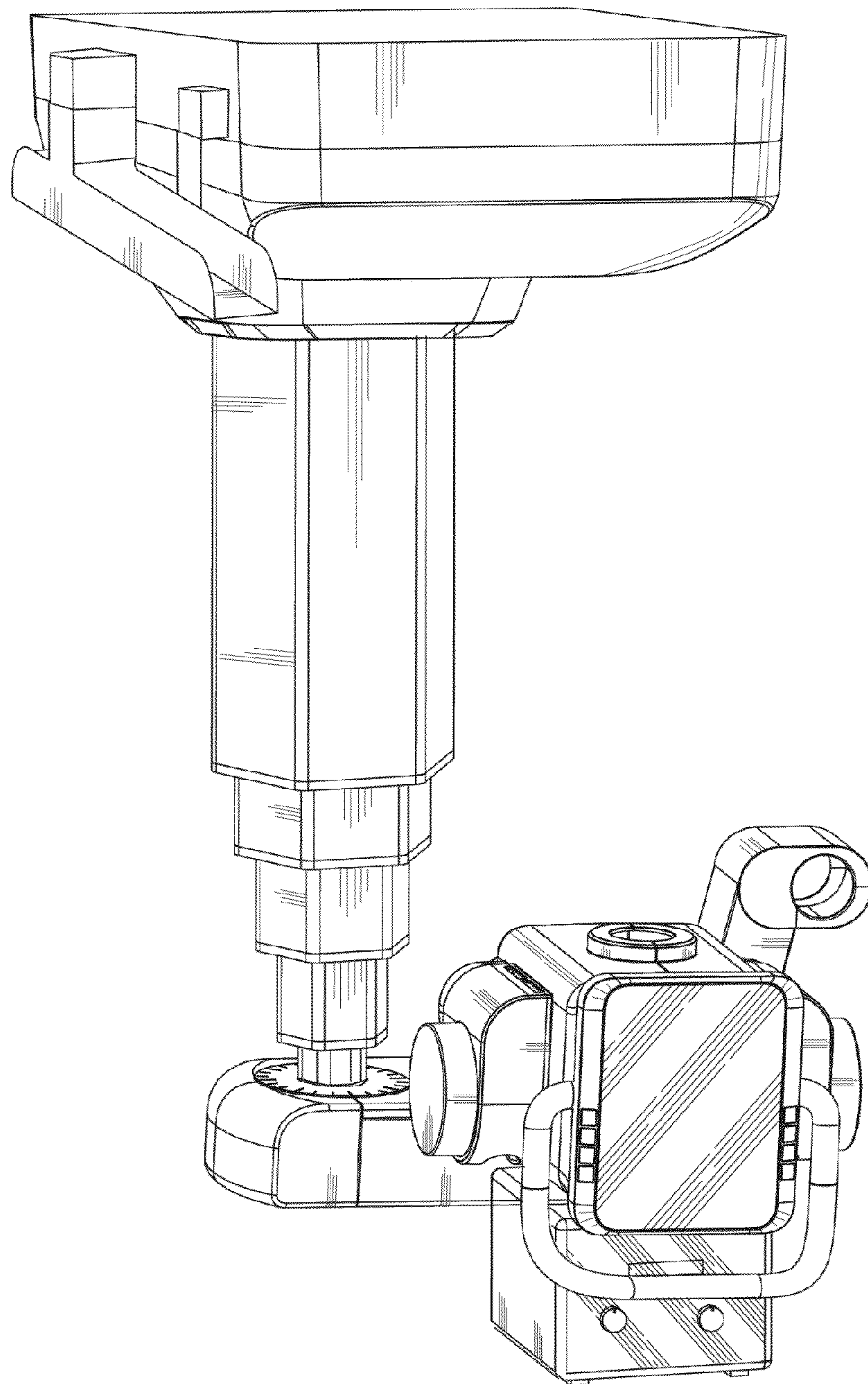


FIG. 8