



US00D702350S

(12) **United States Design Patent**
Nasella

(10) **Patent No.:** **US D702,350 S**

(45) **Date of Patent:** **** Apr. 8, 2014**

(54) **BENCH TOP X-RAY FLUORESCENCE (XRF) INSTRUMENT**

(75) Inventor: **Richard Nasella**, Lawrence, MA (US)

(73) Assignee: **Olympus NDT, Inc.**, Waltham, MA (US)

(**) Term: **14 Years**

(21) Appl. No.: **29/412,249**

(22) Filed: **Feb. 1, 2012**

(51) **LOC (10) Cl.** **24-01**

(52) **U.S. Cl.**
USPC **D24/158**

(58) **Field of Classification Search**
USPC D24/158, 186; 378/15, 317, 102, 17,
378/20, 21, 23-27, 146, 437, 440, 443;
356/317; 250/461 R
See application file for complete search history.

(56) **References Cited**

U.S. PATENT DOCUMENTS

D628,296 S * 11/2010 Hoshino D24/158
D637,291 S * 5/2011 Wu et al. D24/158
D639,948 S * 6/2011 Personelli D24/158

* cited by examiner

Primary Examiner — T. Chase Nelson

Assistant Examiner — Ania Aman

(74) *Attorney, Agent, or Firm* — Ostrolenk Faber LLP

(57) **CLAIM**

The ornamental design for a bench top x-ray fluorescence (XRF) instrument, herein as shown and described.

DESCRIPTION

FIG. 1 is an isometric view of a bench top x-ray fluorescence (XRF) instrument showing my new design.

FIG. 2 is a front elevation view of the bench top x-ray fluorescence (XRF) instrument.

FIG. 3 is a right-side elevation view of the bench top x-ray fluorescence (XRF) instrument.

FIG. 4 is a rear elevation view of the bench top x-ray fluorescence (XRF) instrument.

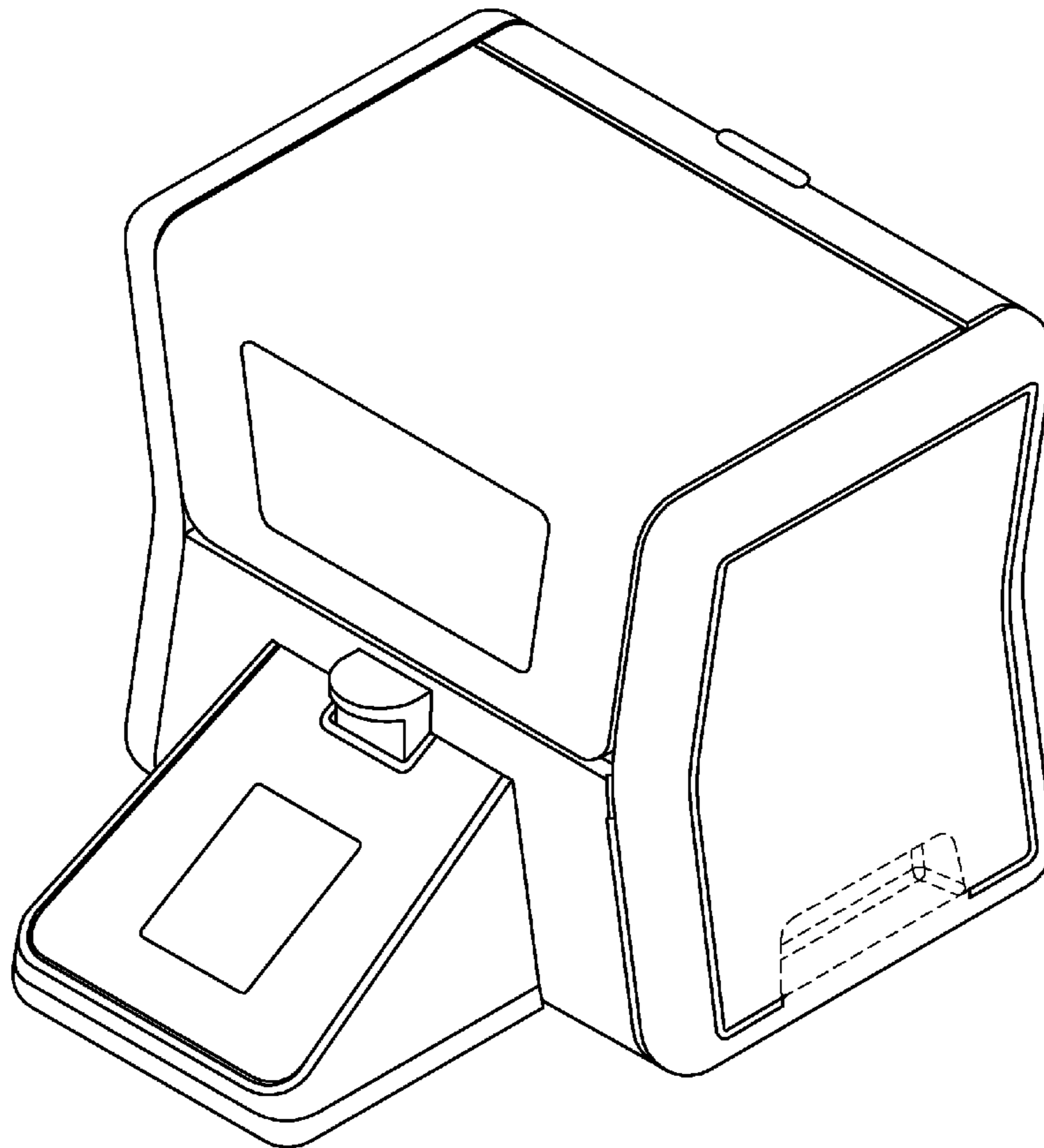
FIG. 5 is a bottom plan view of the bench top x-ray fluorescence (XRF) instrument.

FIG. 6 is a left-side elevation view of the bench top x-ray fluorescence (XRF) instrument; and,

FIG. 7 is a top plan view of the bench top x-ray fluorescence (XRF) instrument.

The broken lines shown in the drawings are for the purpose of illustrating portions of the article that form no part of the claimed design.

1 Claim, 7 Drawing Sheets



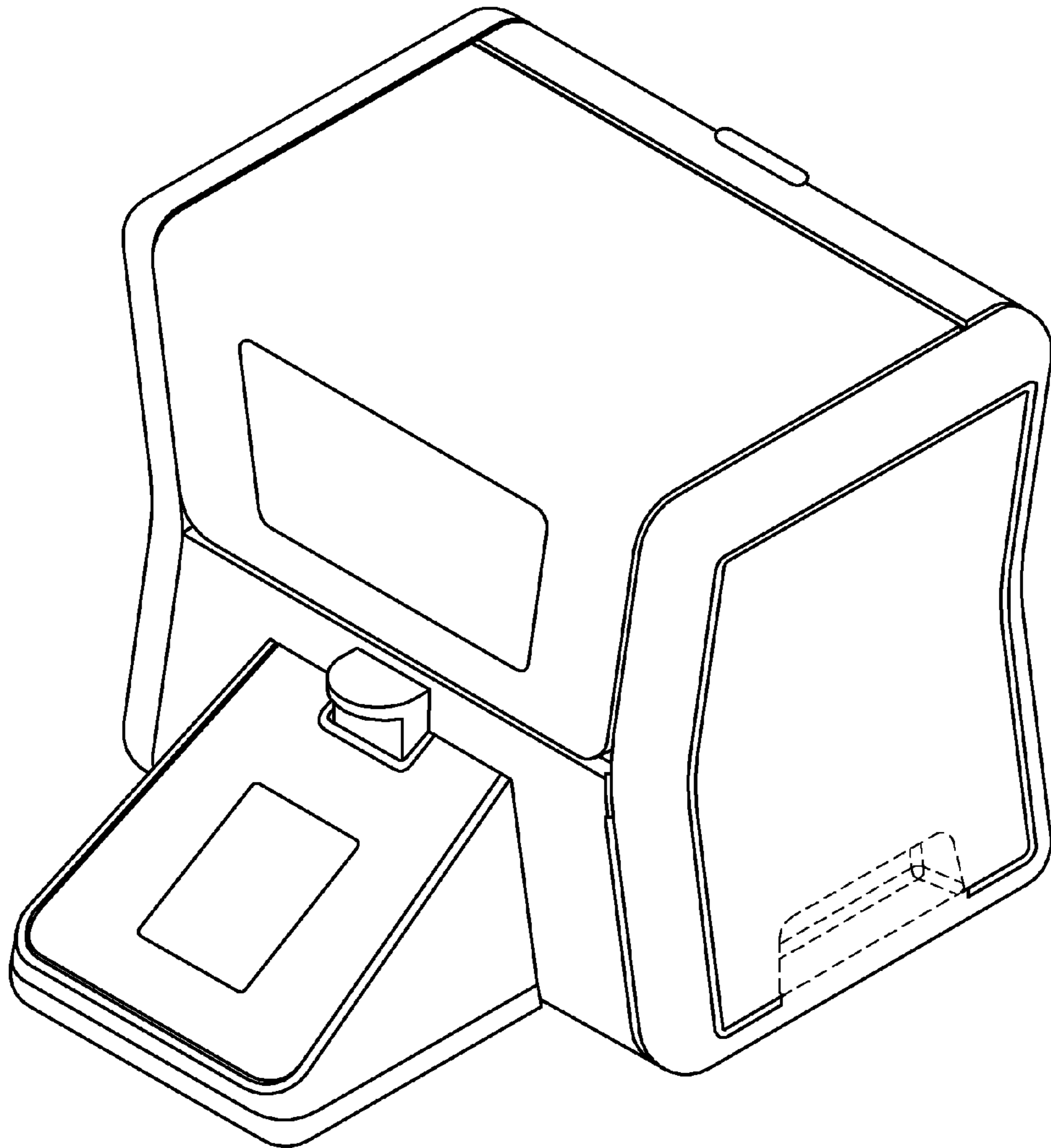


Fig. 1

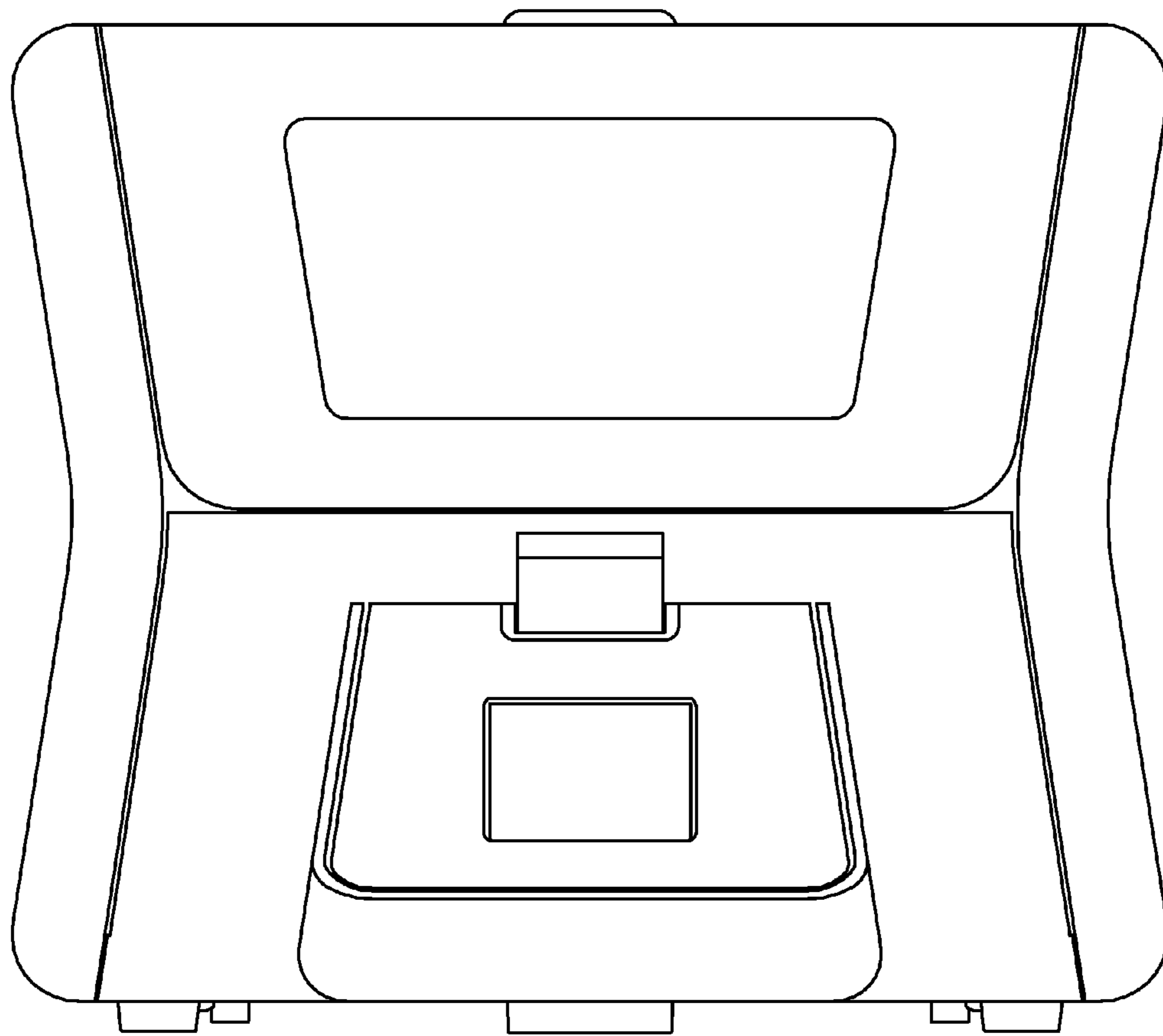


Fig. 2

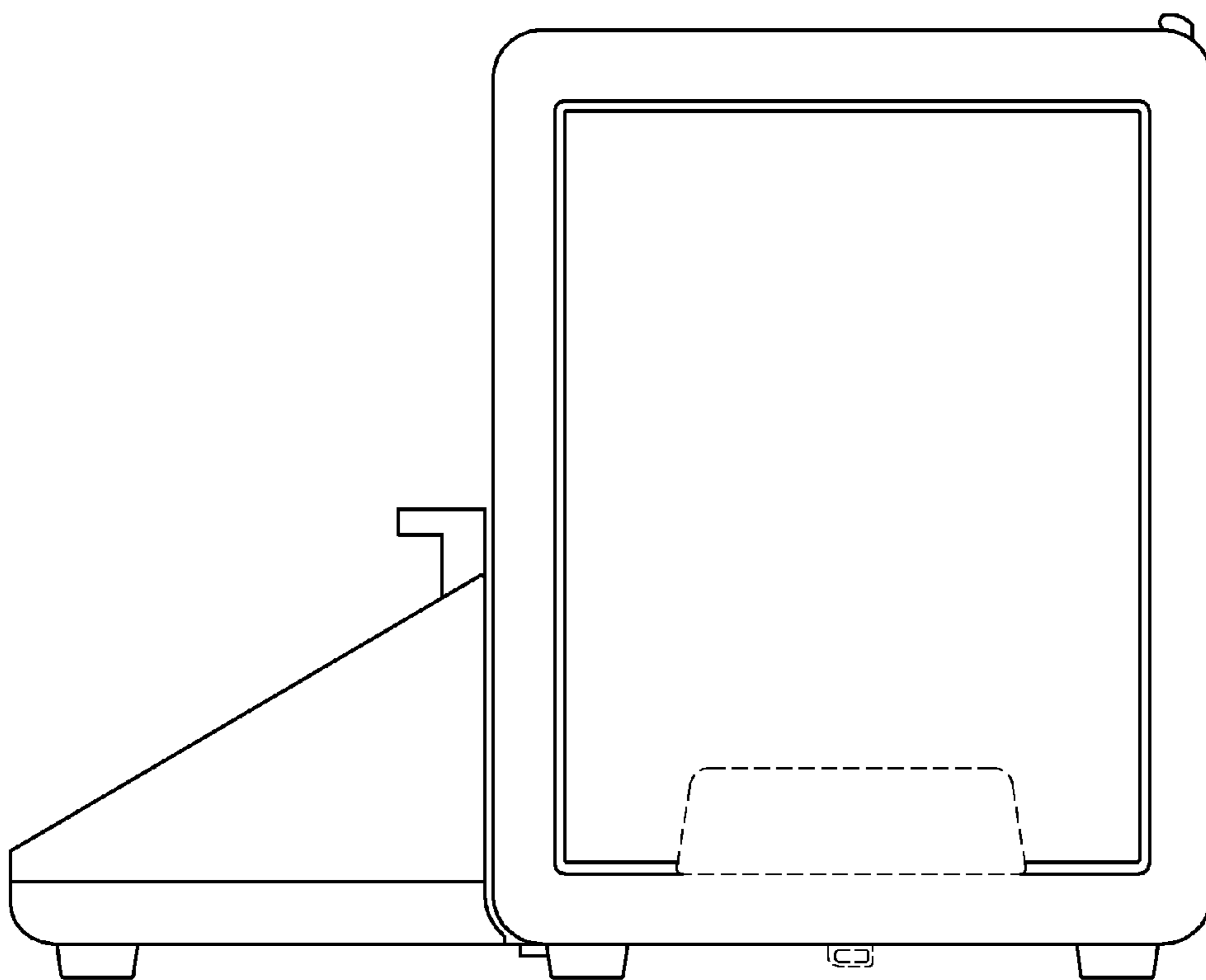


Fig. 3

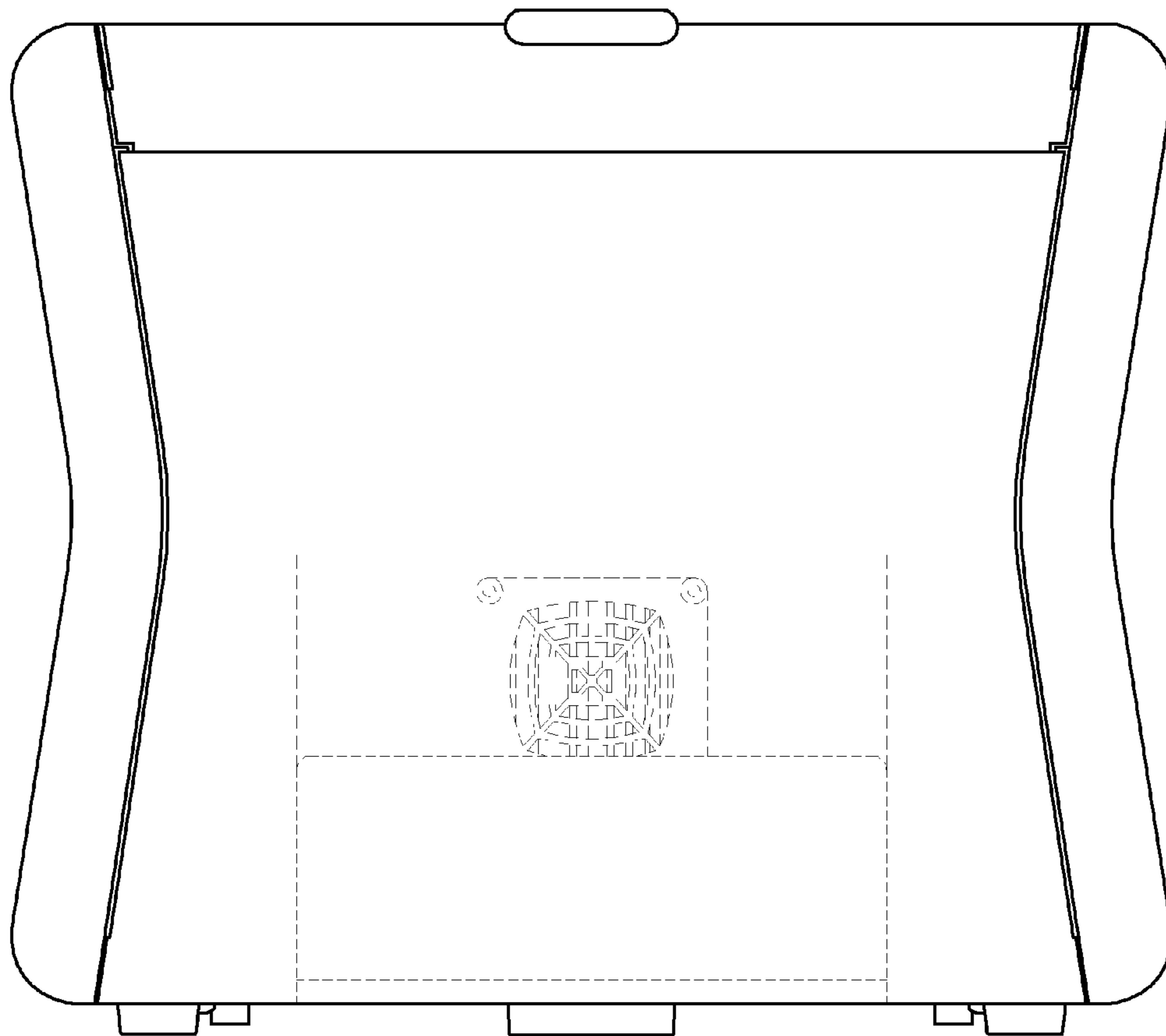


Fig. 4

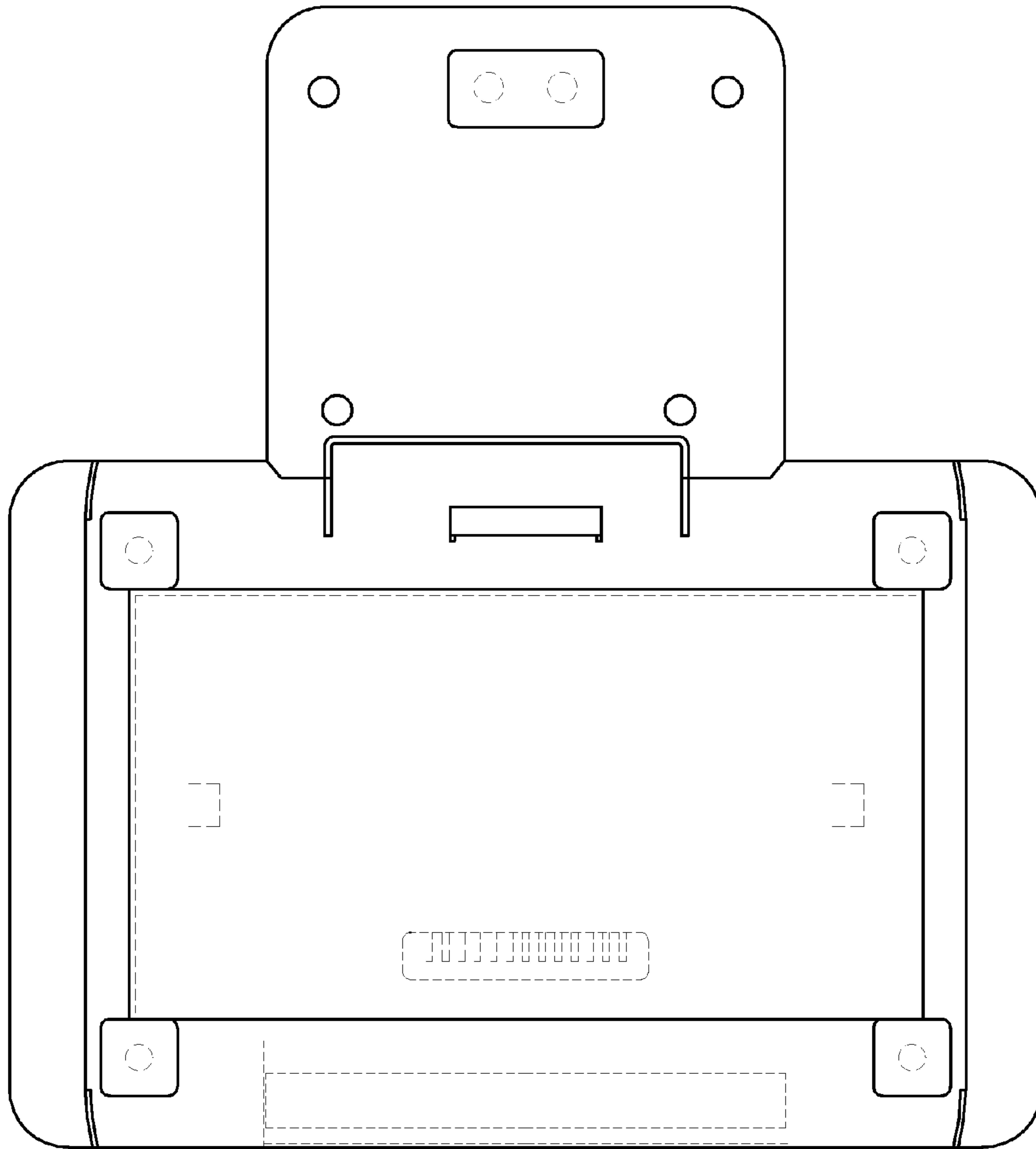


Fig. 5

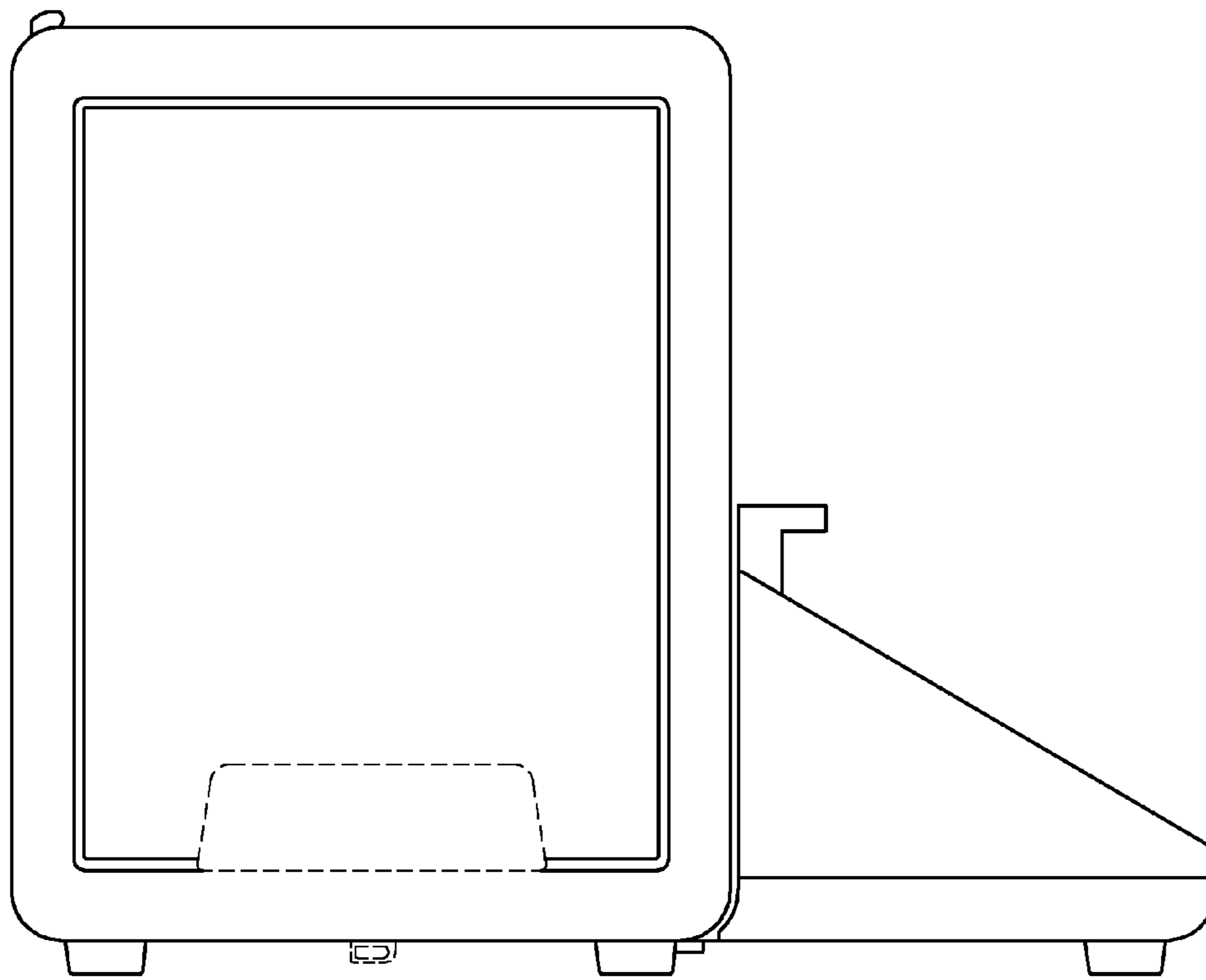


Fig. 6

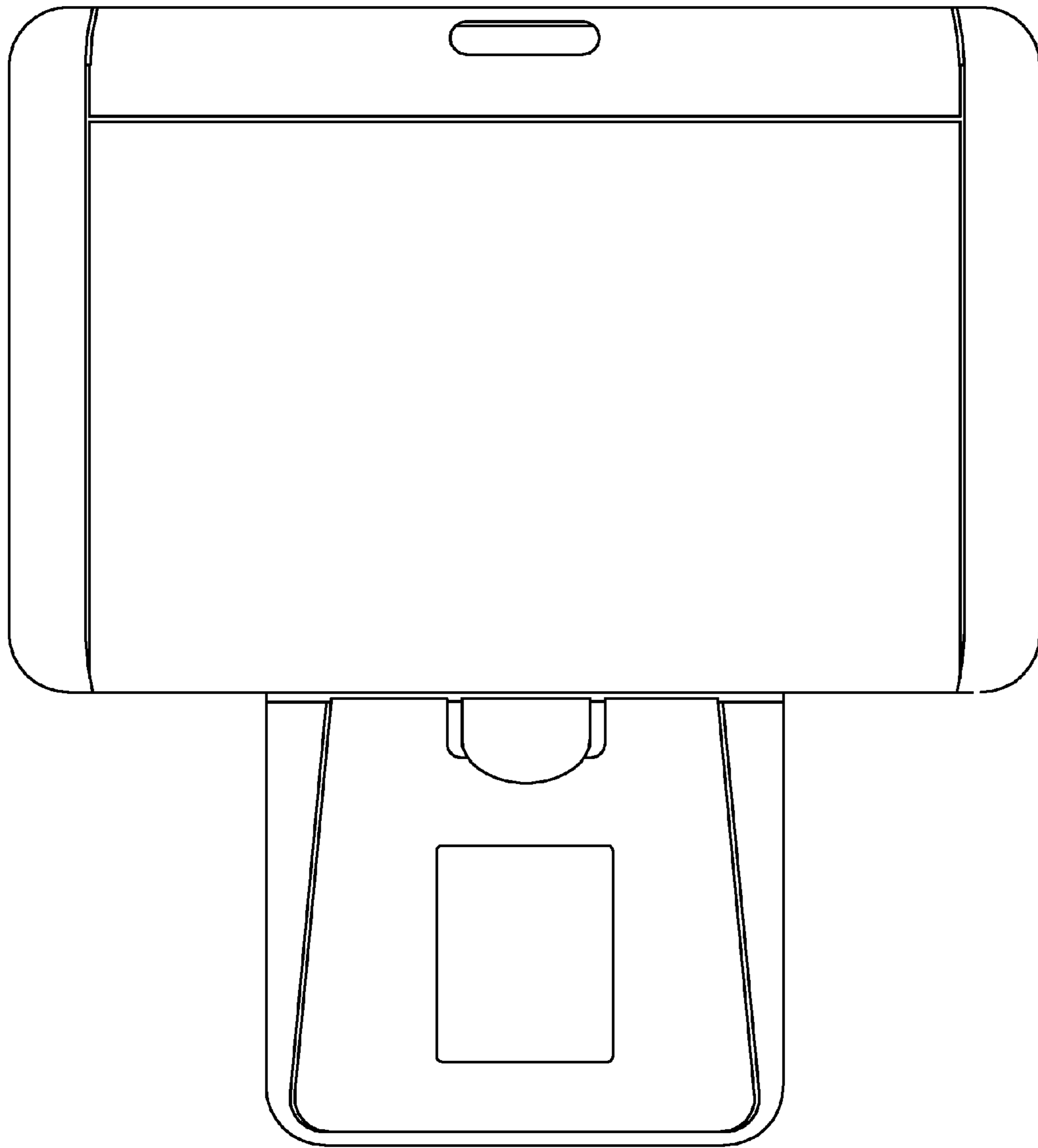


Fig. 7