



US00D702347S

(12) **United States Design Patent**
Noack

(10) **Patent No.:** **US D702,347 S**

(45) **Date of Patent:** **** Apr. 8, 2014**

(54) **JOINT FOR A PROSTHESIS**

(75) Inventor: **Christian Noack**, Göttingen (DE)

(73) Assignee: **Otto Bock Healthcare GmbH**,
Duderstadt (DE)

(**) Term: **14 Years**

(21) Appl. No.: **29/430,879**

(22) Filed: **Aug. 30, 2012**

(30) **Foreign Application Priority Data**

Mar. 6, 2012 (EM) 002003913

(51) **LOC (10) Cl.** **24-02**

(52) **U.S. Cl.**
USPC **D24/155**

(58) **Field of Classification Search**
USPC D24/155-157; 623/29, 38, 53, 55, 56,
623/57, 64, 17.11, 19.11, 44, 23.54, 23.7,
623/1.15, 903; 606/194, 198; 604/1.02,
604/103.02
See application file for complete search history.

(56) **References Cited**

U.S. PATENT DOCUMENTS

D383,542 S * 9/1997 Wellershaus et al. D24/155
D439,339 S * 3/2001 Sawatzki D24/155
D446,304 S * 8/2001 Sawatzki et al. D24/155
6,969,408 B2 * 11/2005 Lecomte et al. 623/55

D522,142 S * 5/2006 Boiten D24/155
D525,709 S * 7/2006 Boiten D24/155
D526,062 S * 8/2006 Harn et al. D24/155
D527,458 S * 8/2006 Harn et al. D24/155
D553,741 S * 10/2007 Chen D24/155
D592,749 S * 5/2009 Muhlenberend D24/155

OTHER PUBLICATIONS

Imasen-Lapoc, published Nov. 2011 (4 sheets).
Imasen-Lapoc SF0700, published Nov. 2011 (3 sheets).

* cited by examiner

Primary Examiner — Ian Simmons
Assistant Examiner — Charles Hanson
(74) *Attorney, Agent, or Firm* — Holland & Hart LLP

(57) **CLAIM**

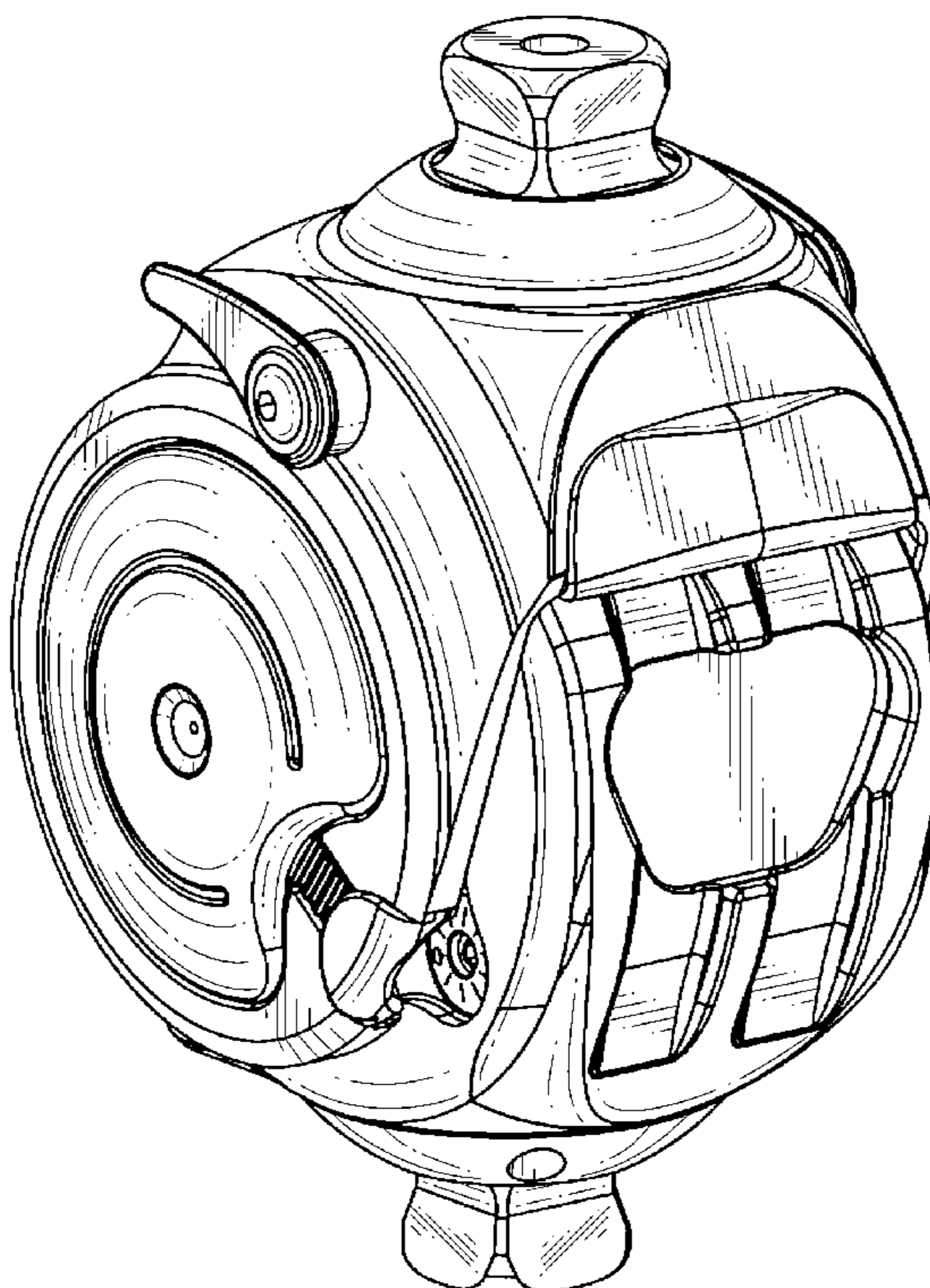
The ornamental design for a joint for a prosthesis, as shown and described.

DESCRIPTION

FIG. 1 is a perspective view of a joint for a prosthesis according to the present invention;
FIG. 2 is a rear view thereof;
FIG. 3 is a front view thereof;
FIG. 4 is a left side view thereof;
FIG. 5 is a right side view thereof;
FIG. 6 is a bottom view thereof; and,
FIG. 7 is a top view thereof.

The broken line showing is included for the purpose of illustrating environment and forms no part of the claimed design.

1 Claim, 7 Drawing Sheets



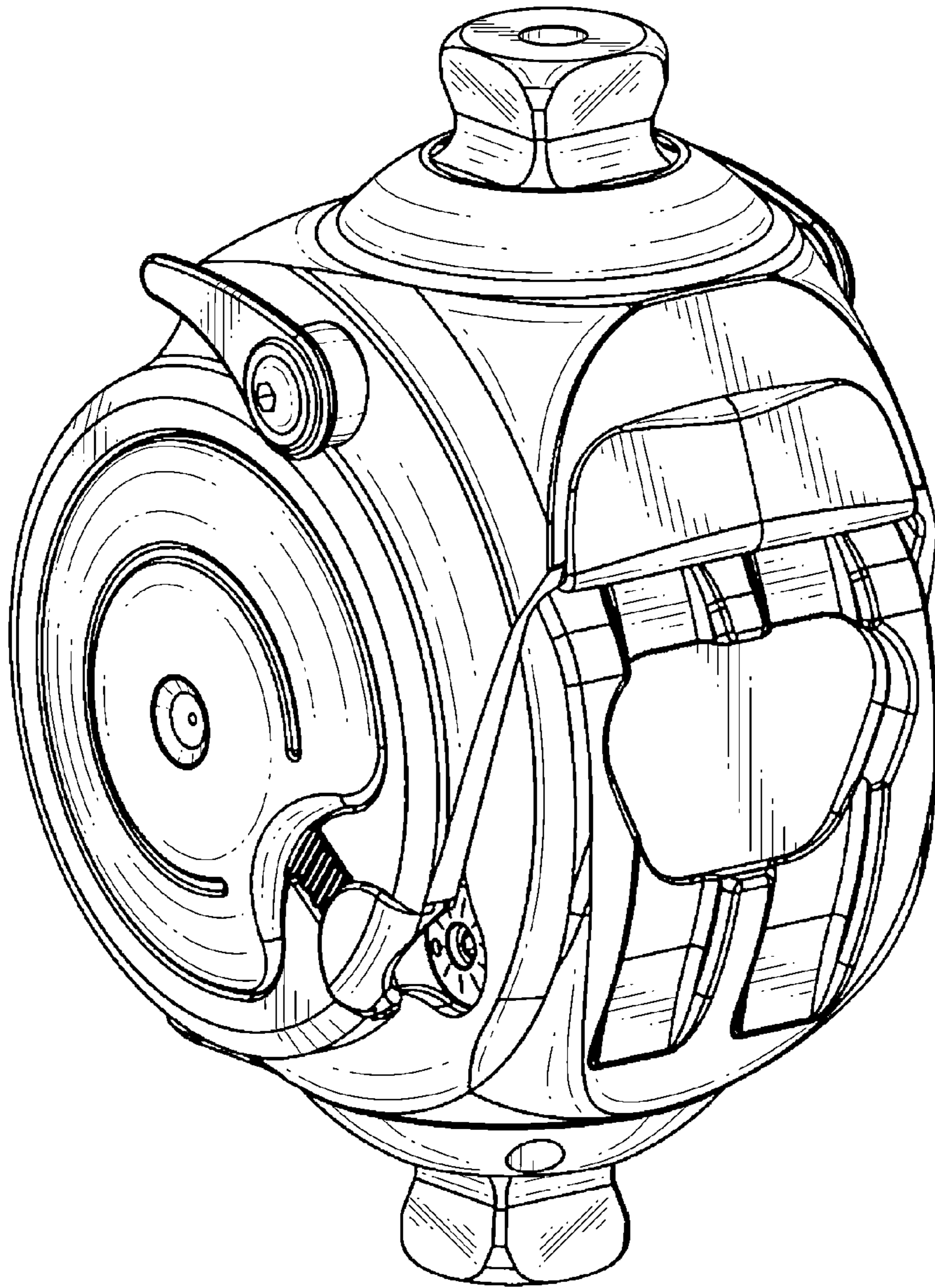


FIG. 1

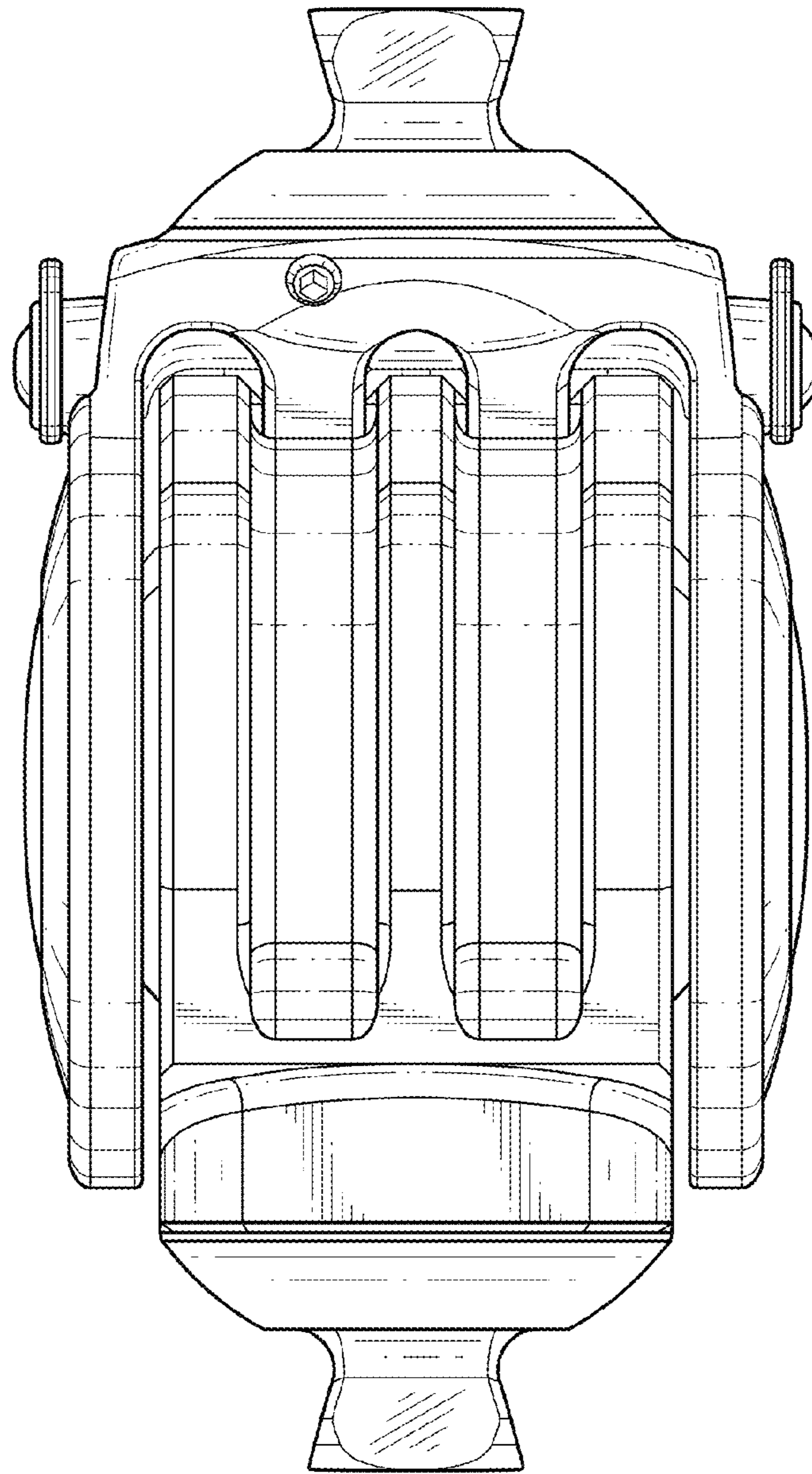


FIG. 2

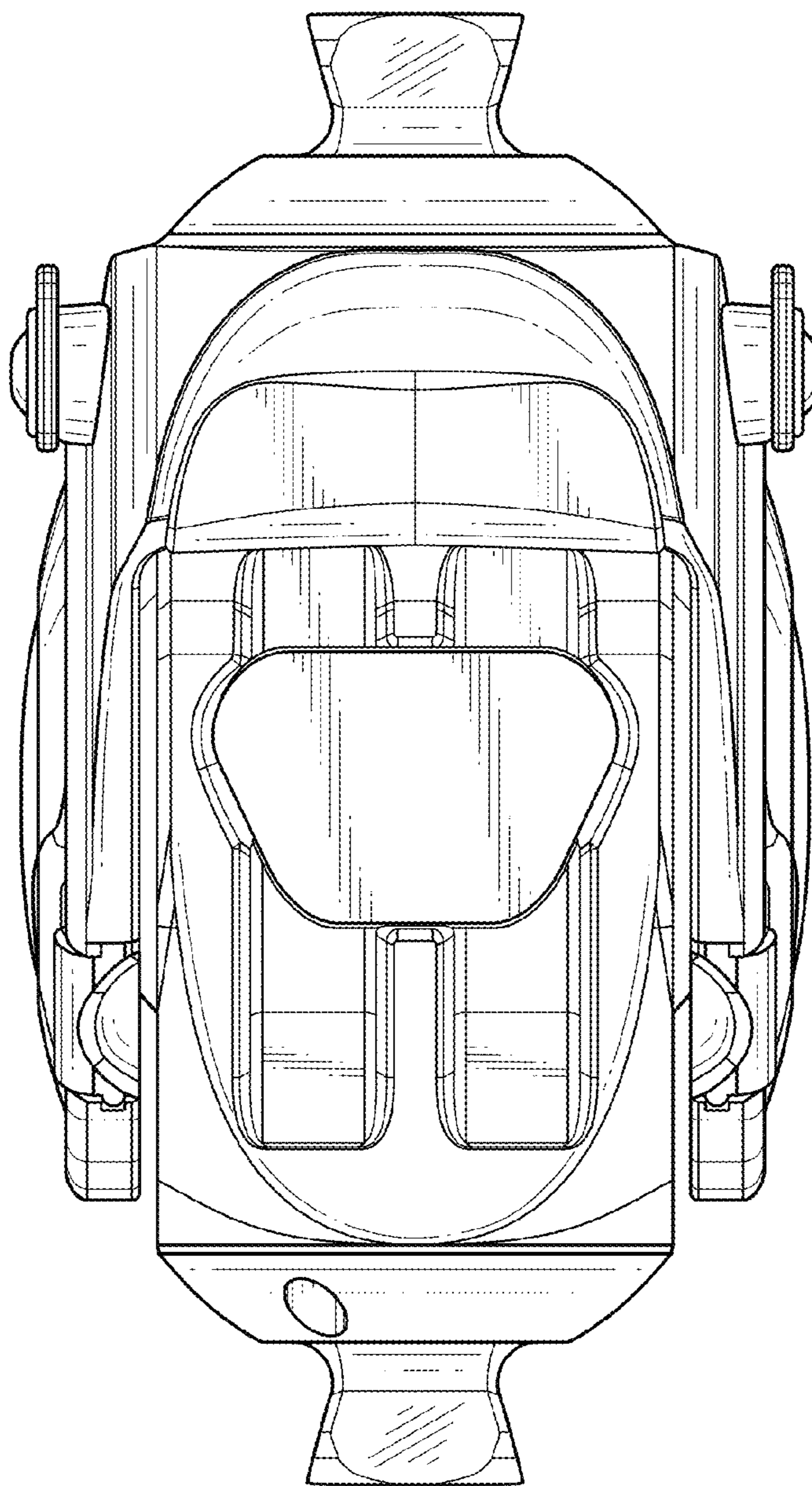


FIG. 3

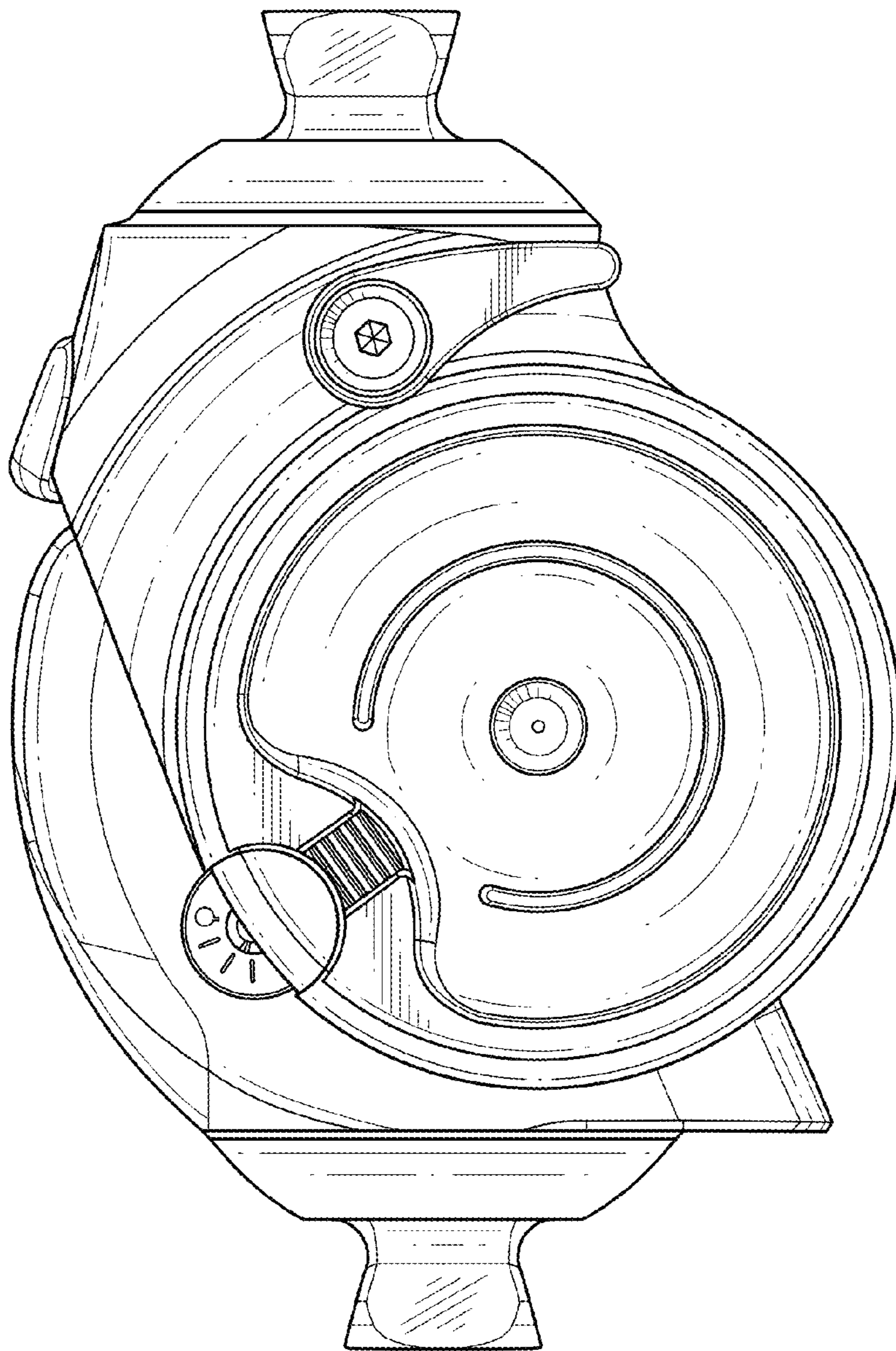


FIG. 4

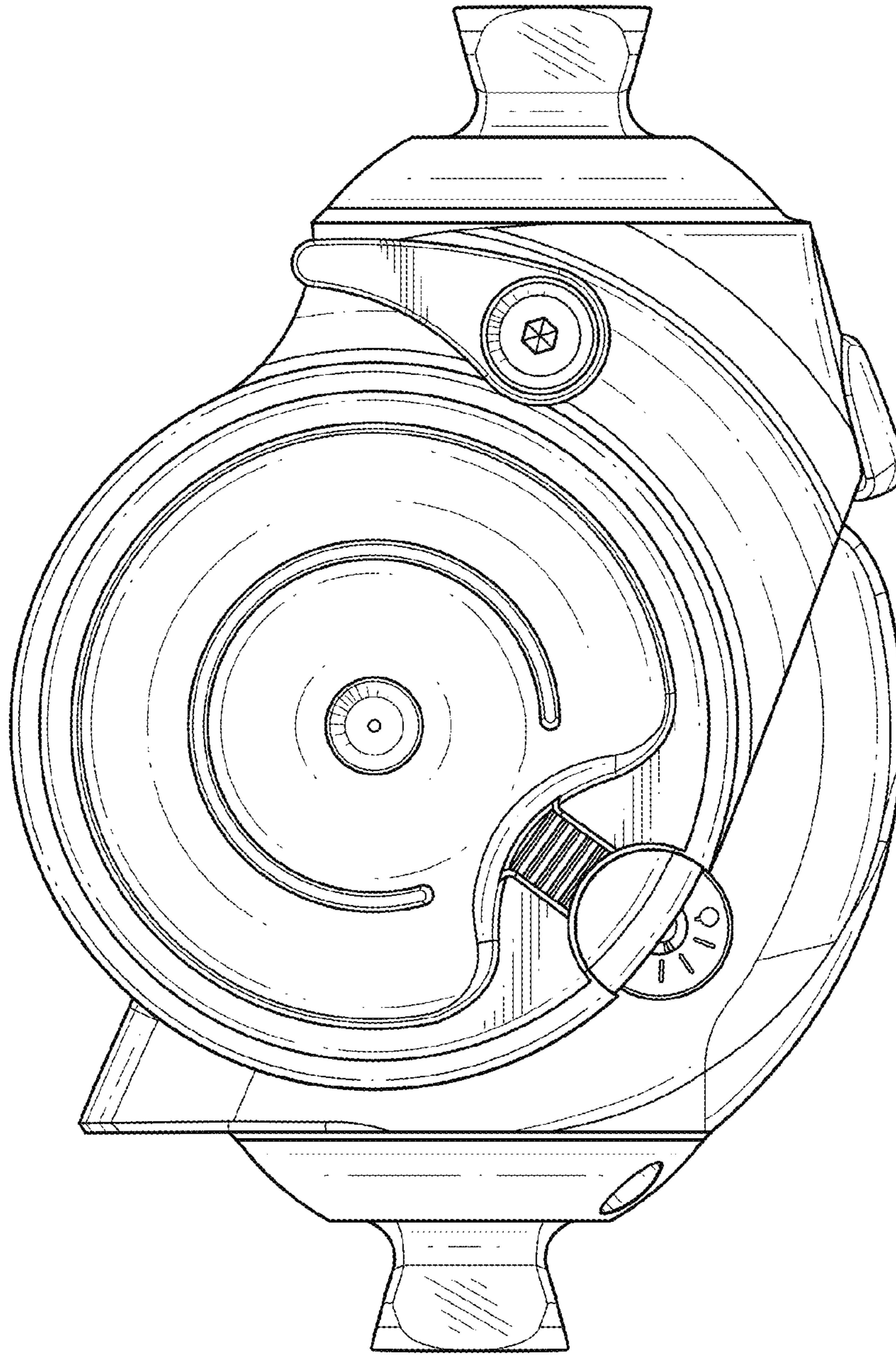


FIG. 5

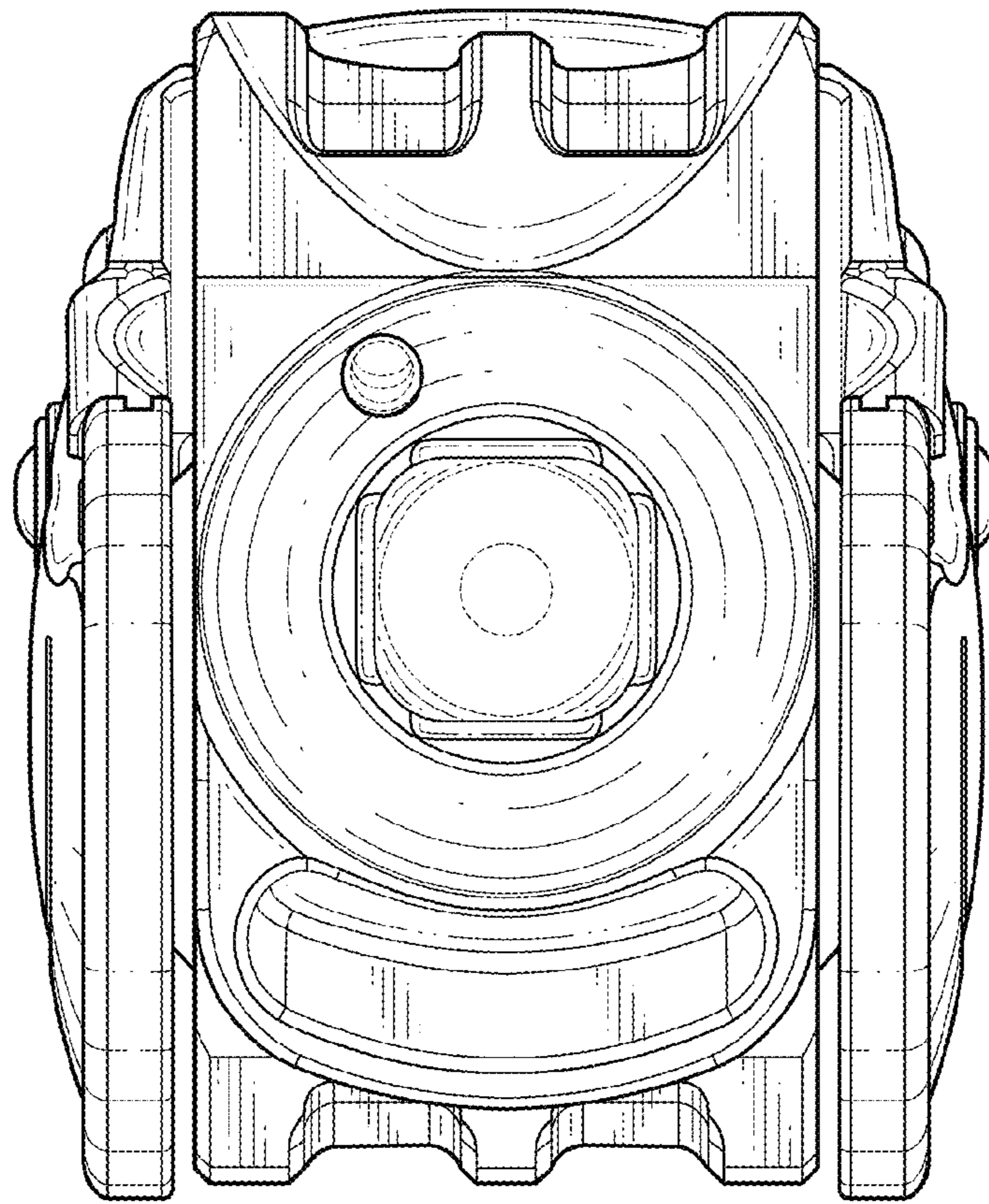


FIG. 6

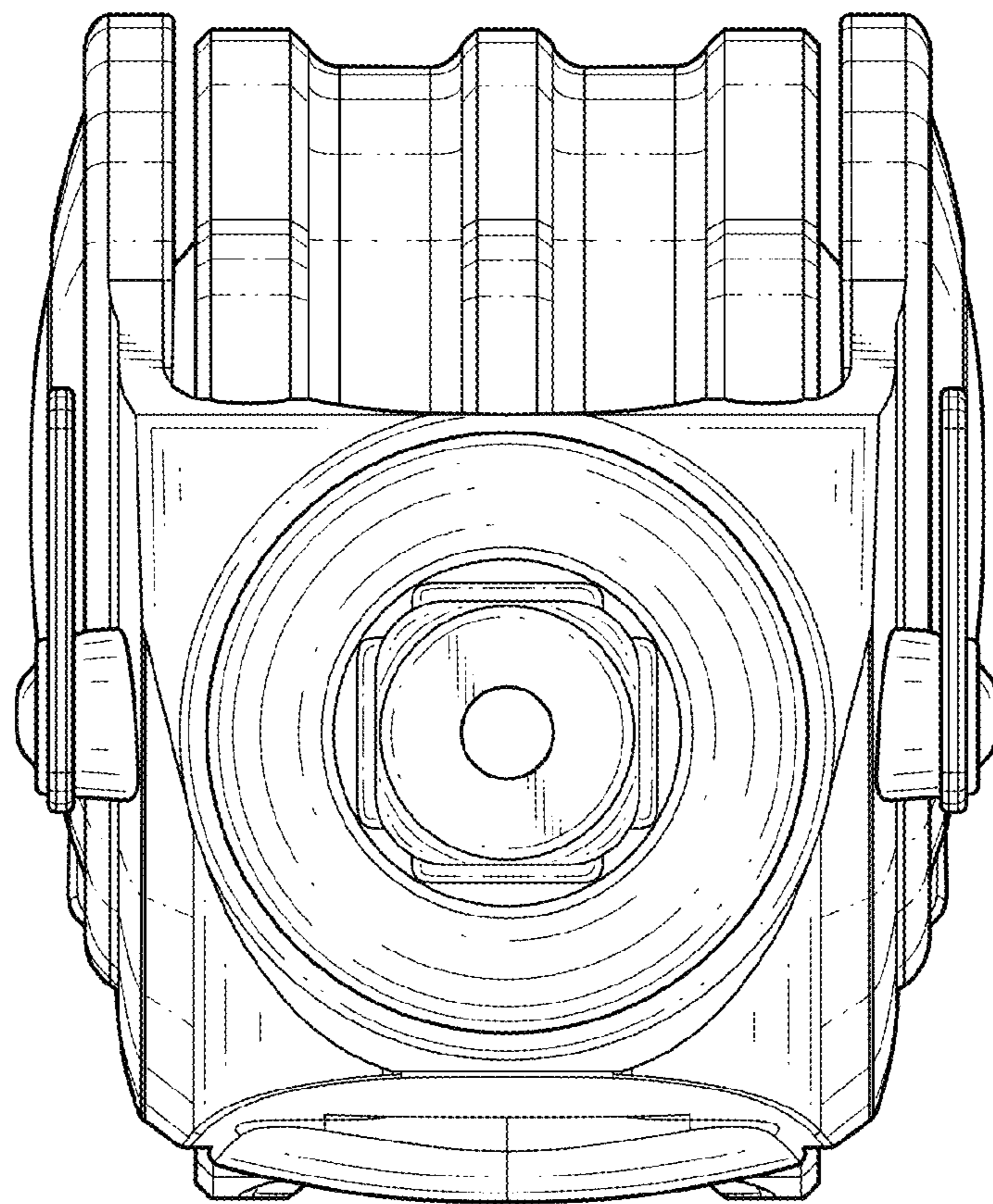


FIG. 7