



US00D702342S

(12) **United States Design Patent**
Tikochinsky

(10) **Patent No.:** **US D702,342 S**
(45) **Date of Patent:** **** Apr. 8, 2014**

(54) **FINGER TIP APPLICATOR**
(75) Inventor: **Yoav Tikochinsky, Tel-Aviv (IL)**
(73) Assignee: **Renew Medical Inc., Palo Alto, CA (US)**
(**) Term: **14 Years**
(21) Appl. No.: **29/423,620**
(22) Filed: **Jun. 3, 2012**
(51) **LOC (10) Cl.** **24-02**
(52) **U.S. Cl.**
USPC **D24/119**
(58) **Field of Classification Search**
USPC D24/119, 127-131, 112-114, 133, 186,
D24/147; 606/162, 180, 181, 185, 161;
604/1, 2, 19, 3, 309, 73, 540, 232, 187,
604/158, 164.08, 192, 263, 163, 181, 184,
604/198, 227; 600/572, 101, 139, 143;
128/200.24, 207.14, 207.15; 132/317;
401/196; 15/209.1, 210.1; D32/40;
433/89
See application file for complete search history.

D468,422 S * 1/2003 McCurrach D24/111
D480,479 S * 10/2003 Dragan et al. D24/152
D496,999 S * 10/2004 Dragan et al. D24/152
D504,948 S * 5/2005 Dragan et al. D24/152
7,214,206 B2 * 5/2007 Rue et al. 604/19
D573,250 S * 7/2008 MacRae et al. D24/108
D587,809 S * 3/2009 Boehm et al. D24/181
D644,328 S * 8/2011 Pauser D24/176
D659,824 S * 5/2012 Kwok D24/113
2005/0186531 A1 * 8/2005 Friedman 433/90

* cited by examiner

Primary Examiner — David Muller

(74) *Attorney, Agent, or Firm* — Ash Tankha; Lipton, Weinberger & Husick

(57) **CLAIM**

The ornamental design for a finger tip applicator, as shown.

DESCRIPTION

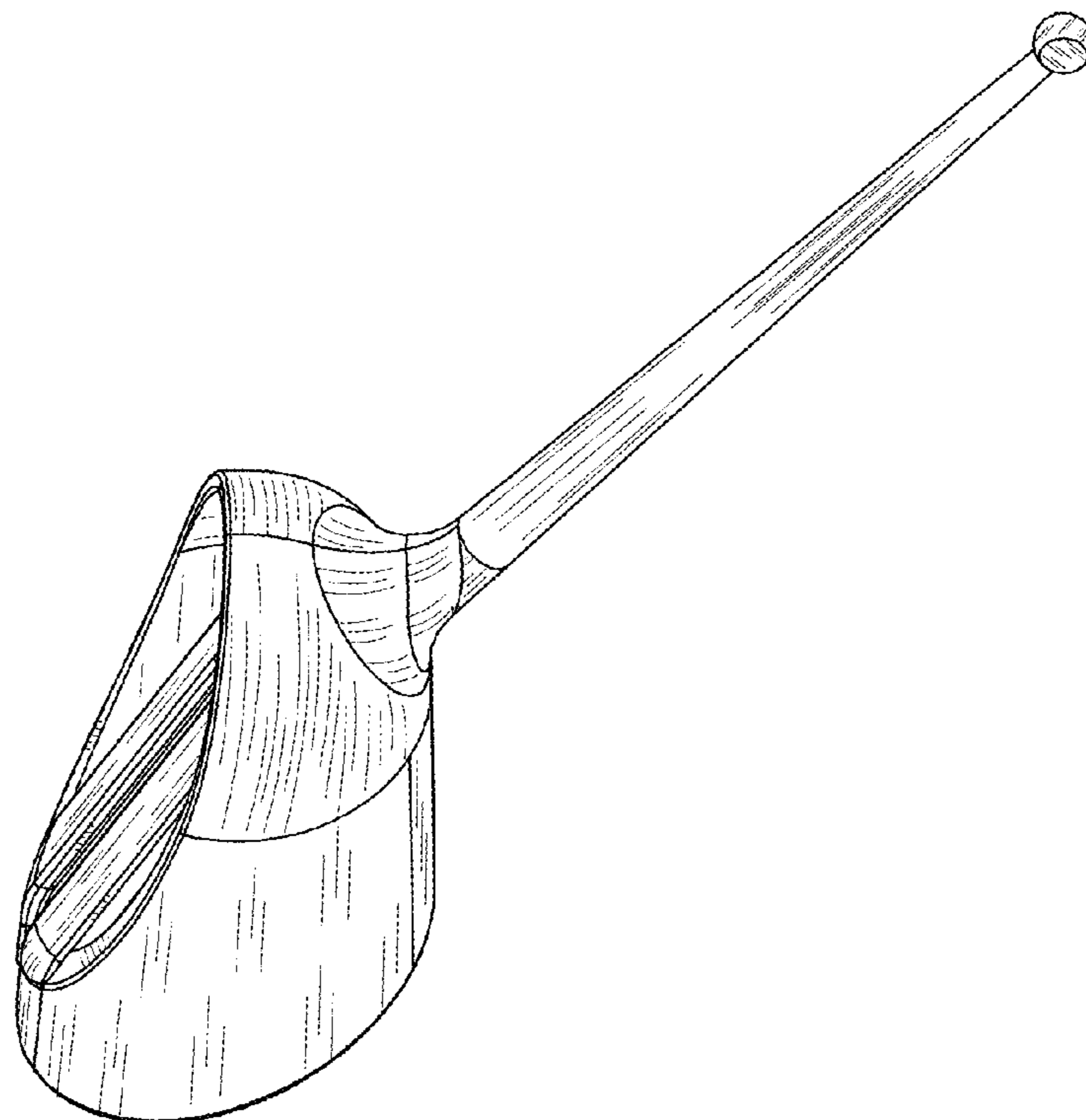
FIG. 1 is a right side perspective view of a finger tip applicator showing my new design;
FIG. 2 is a top view thereof;
FIG. 3 is a front view thereof;
FIG. 4 is a front perspective view thereof; and,
FIG. 5 is a left side view thereof with the right side view being a mirror image thereof.
The broken line showing of parts of the drawings is included for the purpose of illustrating use and environment and forms no part of the claimed design.

1 Claim, 2 Drawing Sheets

(56) **References Cited**

U.S. PATENT DOCUMENTS

D285,835 S * 9/1986 Hanses D24/147
6,319,002 B1 * 11/2001 Pond 433/89
D459,808 S * 7/2002 Safieh D24/152



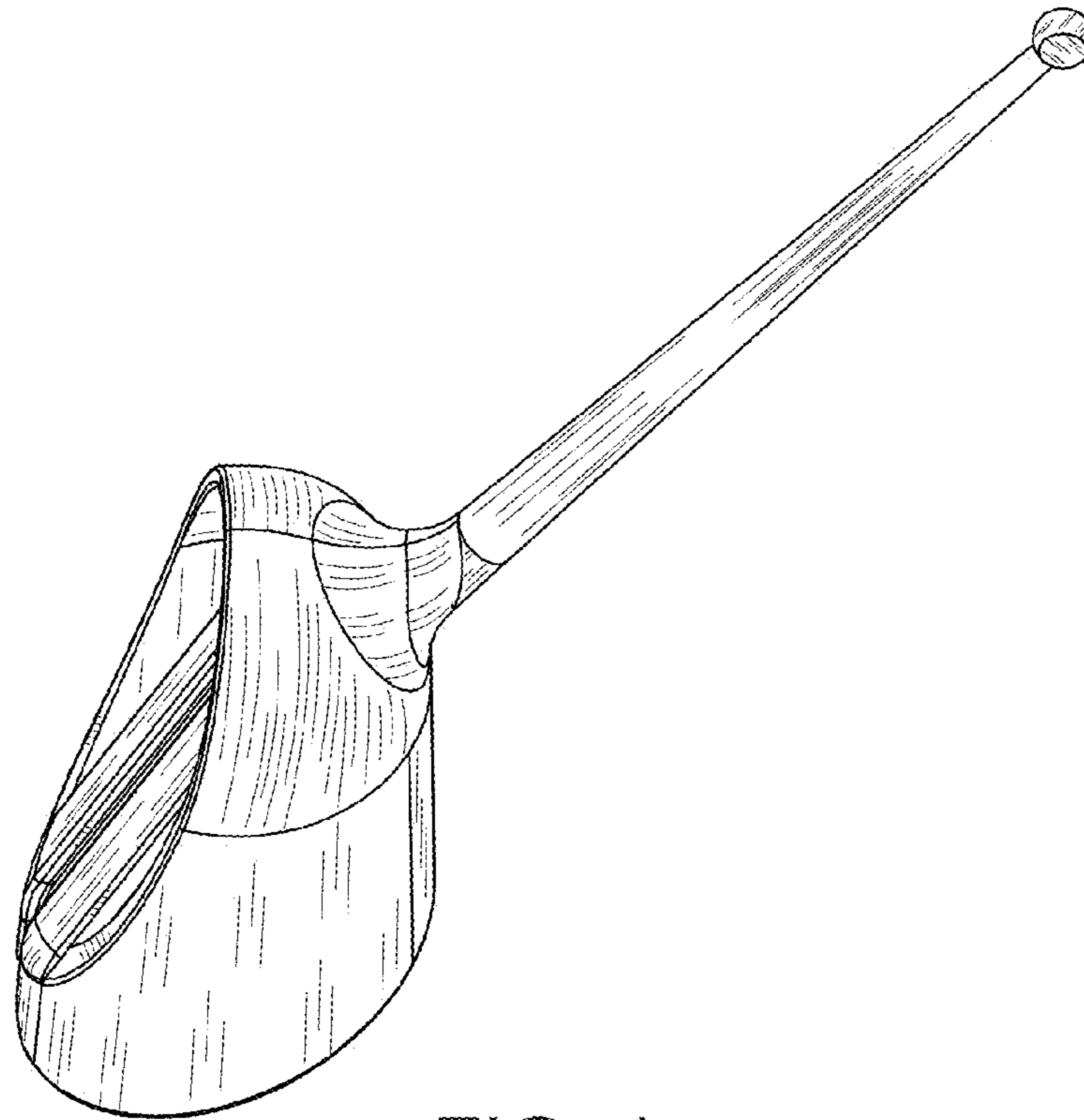


FIG. 1

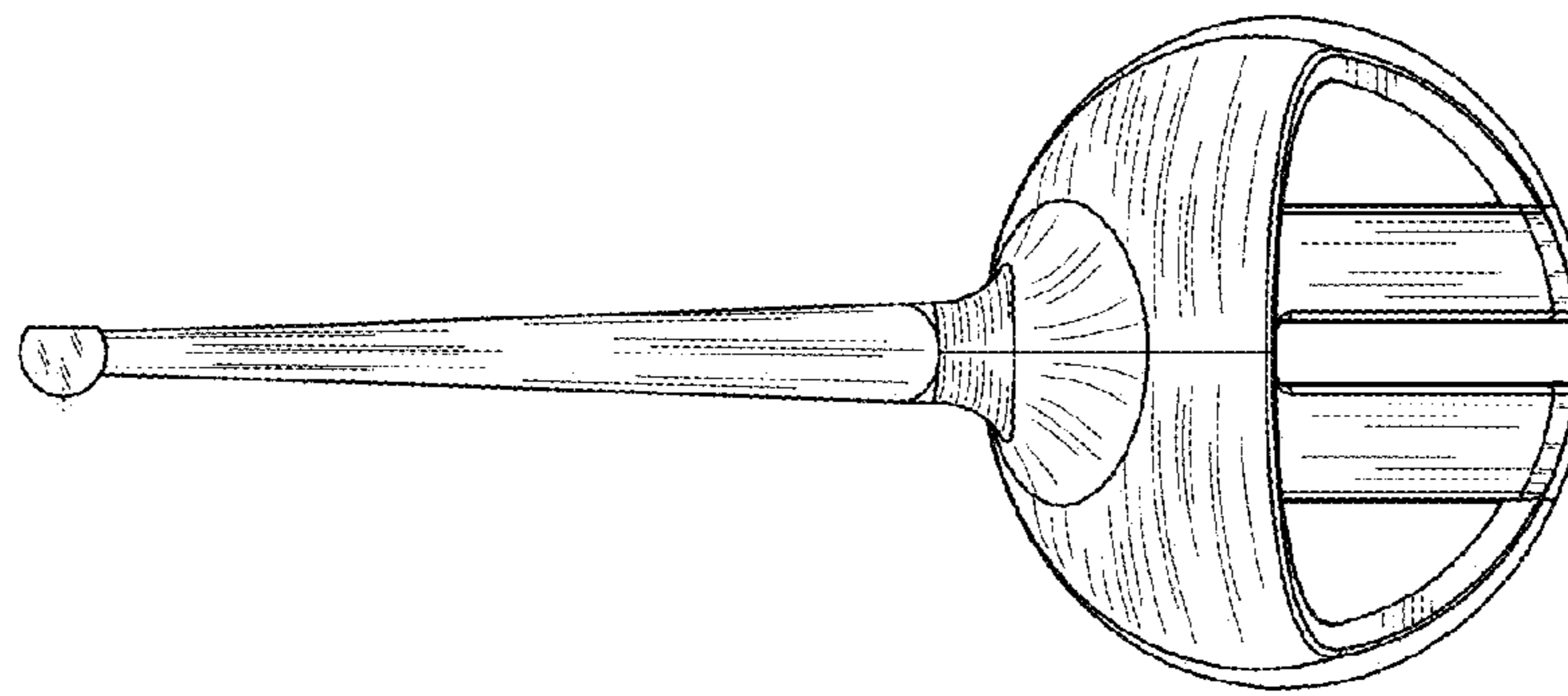


FIG. 2

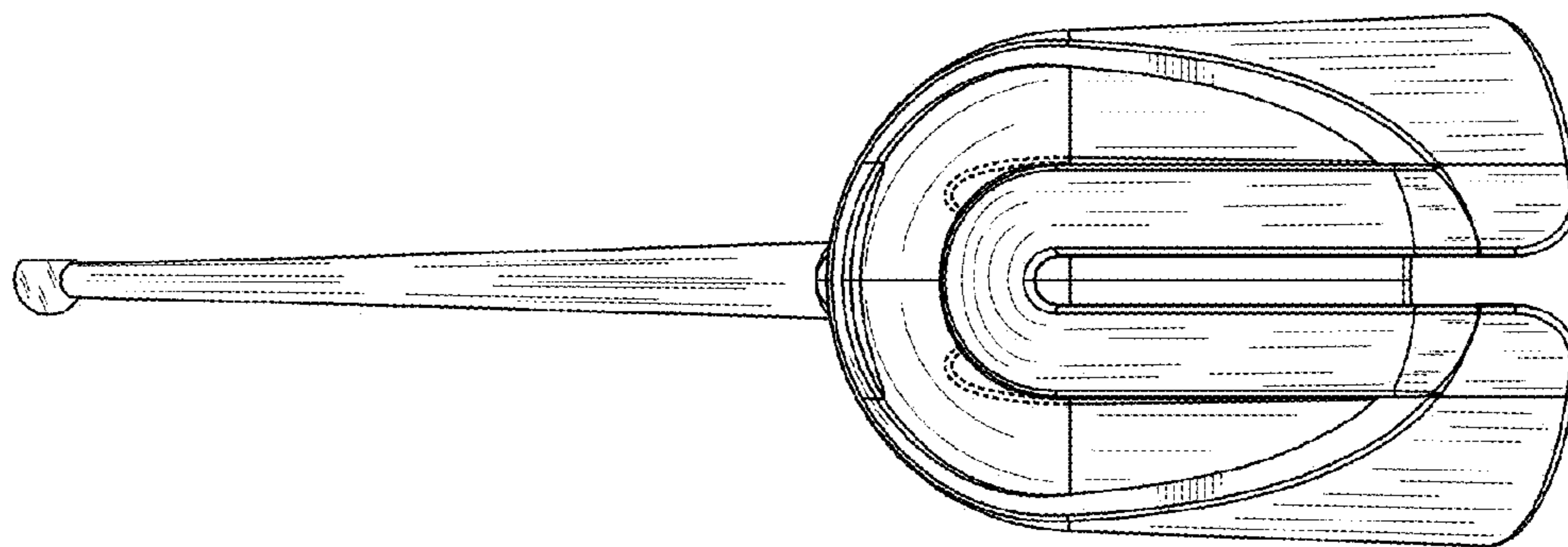


FIG. 3

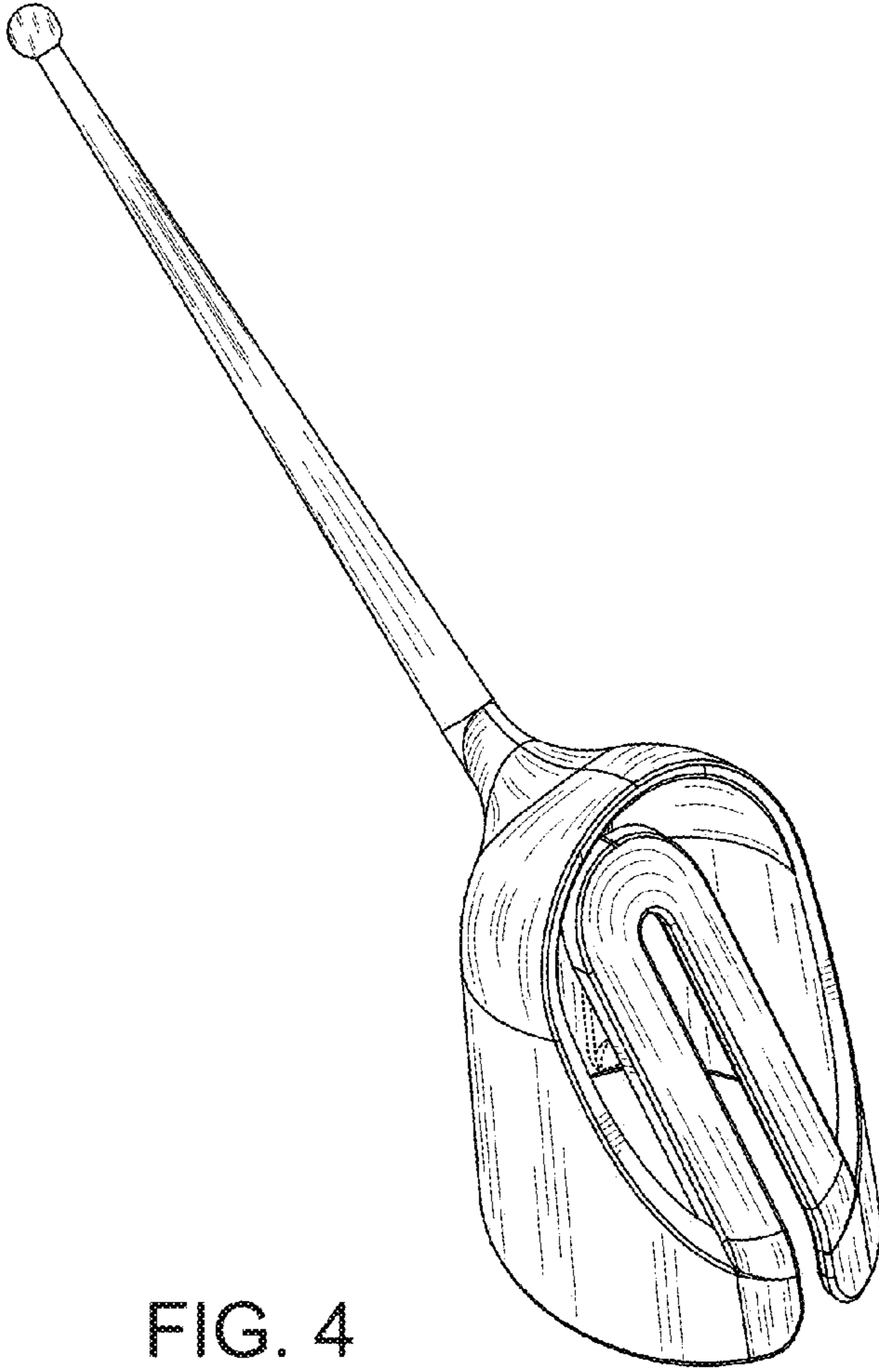


FIG. 4

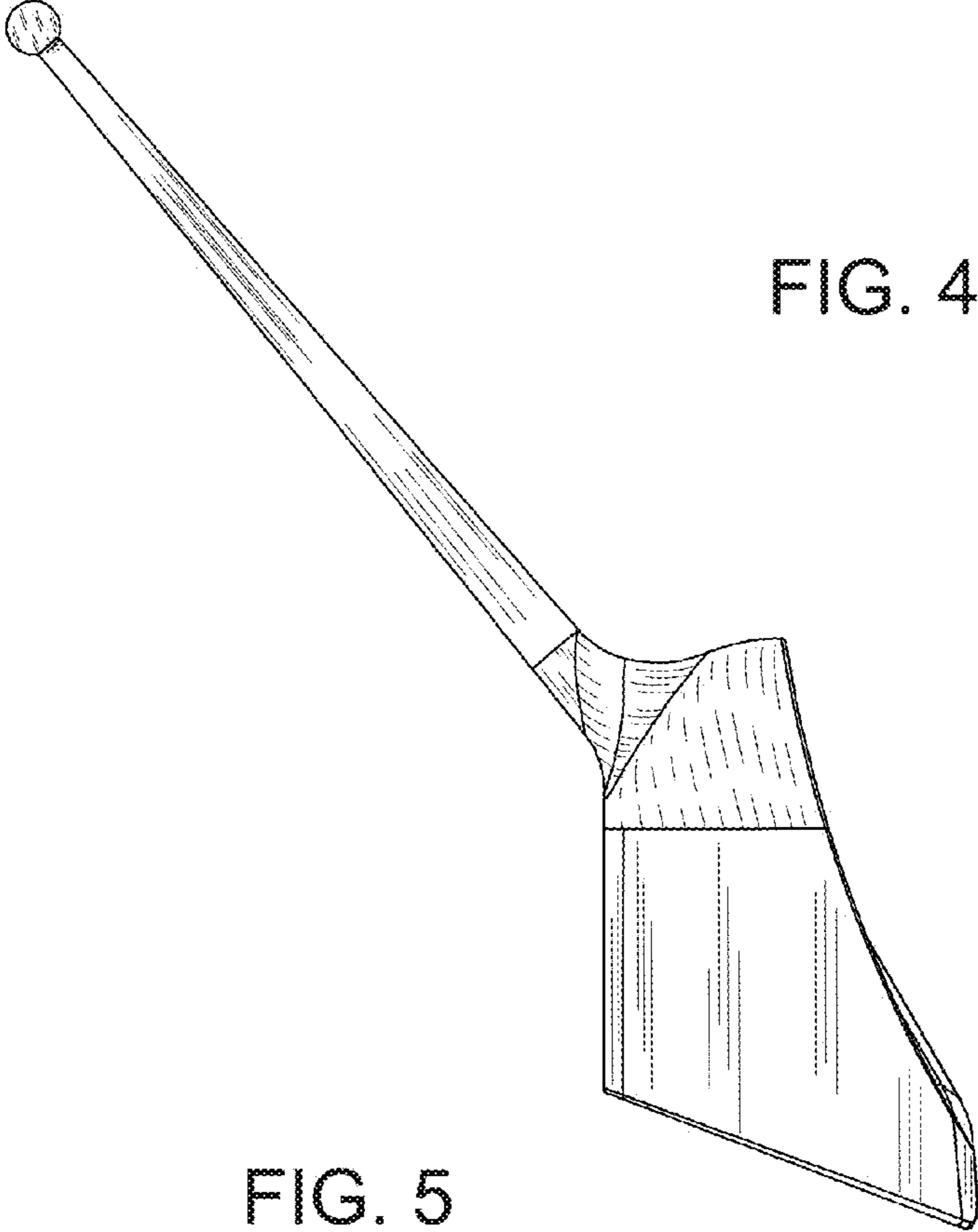


FIG. 5