



US00D702341S

(12) **United States Design Patent**
Kang et al.

(10) **Patent No.:** **US D702,341 S**
(45) **Date of Patent:** **** Apr. 8, 2014**

- (54) **FACEPIECE STRAP SUPPORT**
- (75) Inventors: **BongHyup Kang**, Seoul (KR);
Young-Jun Kim, Seoul (KR)
- (73) Assignee: **3M Innovative Properties Company**,
St. Paul, MN (US)
- (**) Term: **14 Years**
- (21) Appl. No.: **29/417,838**
- (22) Filed: **Apr. 10, 2012**
- (51) **LOC (10) Cl.** **29-02**
- (52) **U.S. Cl.**
USPC **D24/110.1**
- (58) **Field of Classification Search**
USPC D24/110.1-110.4, 127; 128/205.25,
128/206.21, 206.24, 207.13, 207.11,
128/207.17; 2/422, 452; D29/108; D16/339
See application file for complete search history.

D582,545 S 12/2008 Omura
7,634,997 B2 * 12/2009 Shiue 128/201.11
8,011,368 B2 9/2011 Crutchfield

* cited by examiner

Primary Examiner — Ian Simmons
Assistant Examiner — Richelle G Shelton
(74) *Attorney, Agent, or Firm* — Craig A. Deutsch

(57) **CLAIM**

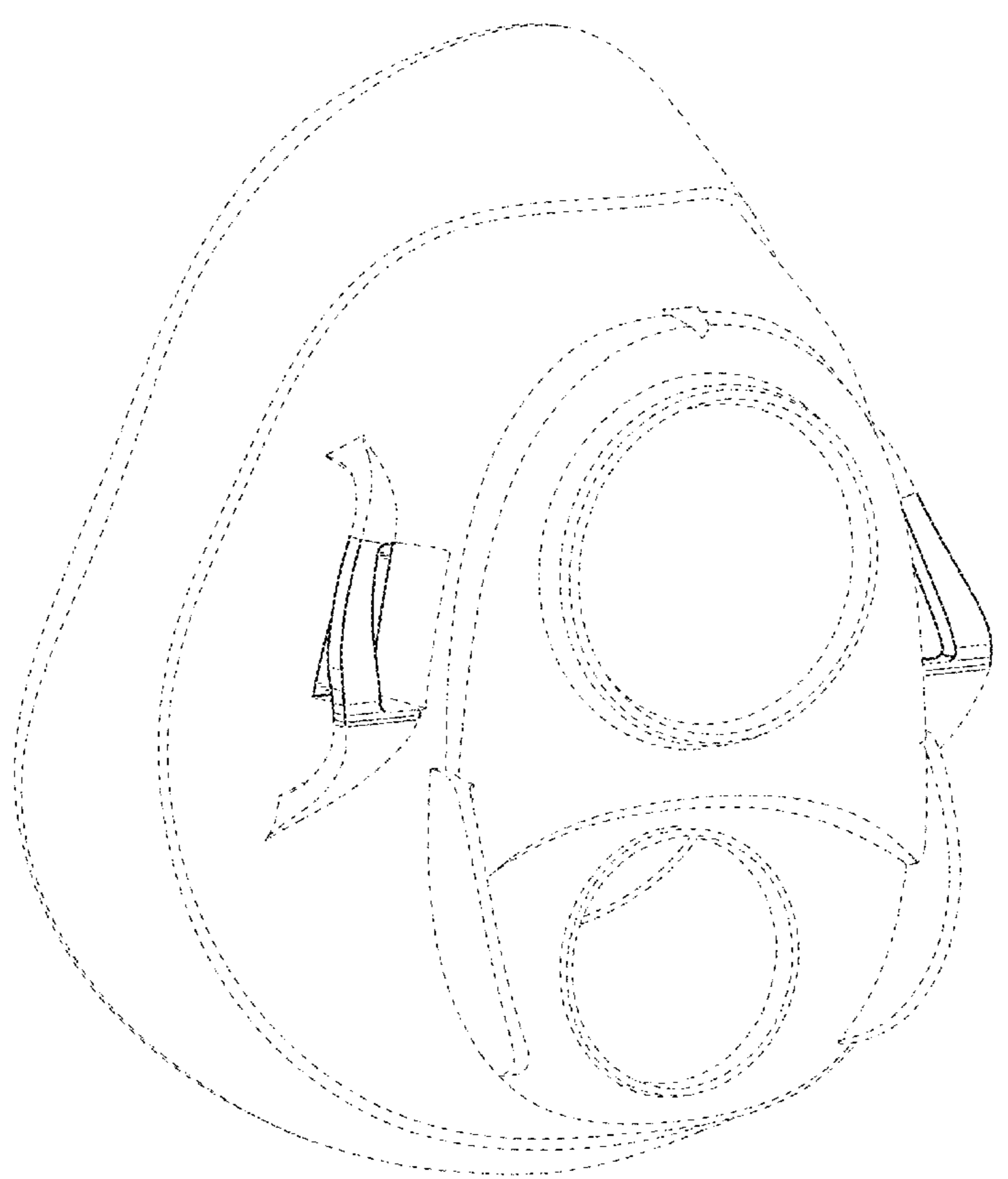
The ornamental design for facepiece strap support, as shown and described.

DESCRIPTION

FIG. 1 is a front perspective view showing the new design for a facepiece strap support.
FIG. 2 is a front view thereof;
FIG. 3 is a back view thereof;
FIG. 4 is a top view thereof;
FIG. 5 is a bottom view thereof; and,
FIG. 6 is a right side view thereof, the left side view being a mirror image thereof.
The broken line showing of a mask is included for the purpose of illustrating environment and forms no part of the claimed design. The shading is provided to illustrate contour only and is not an indication of surface texture or sheen.

1 Claim, 6 Drawing Sheets

- (56) **References Cited**
U.S. PATENT DOCUMENTS
5,353,789 A * 10/1994 Schlobohm 128/206.24
5,692,493 A * 12/1997 Weinstein et al. 128/200.23
D428,139 S * 7/2000 Smart D24/110.4
6,701,925 B1 3/2004 Resnick
D516,715 S * 3/2006 Guney et al. D24/110.1
D568,986 S 5/2008 Holmquist-Brown



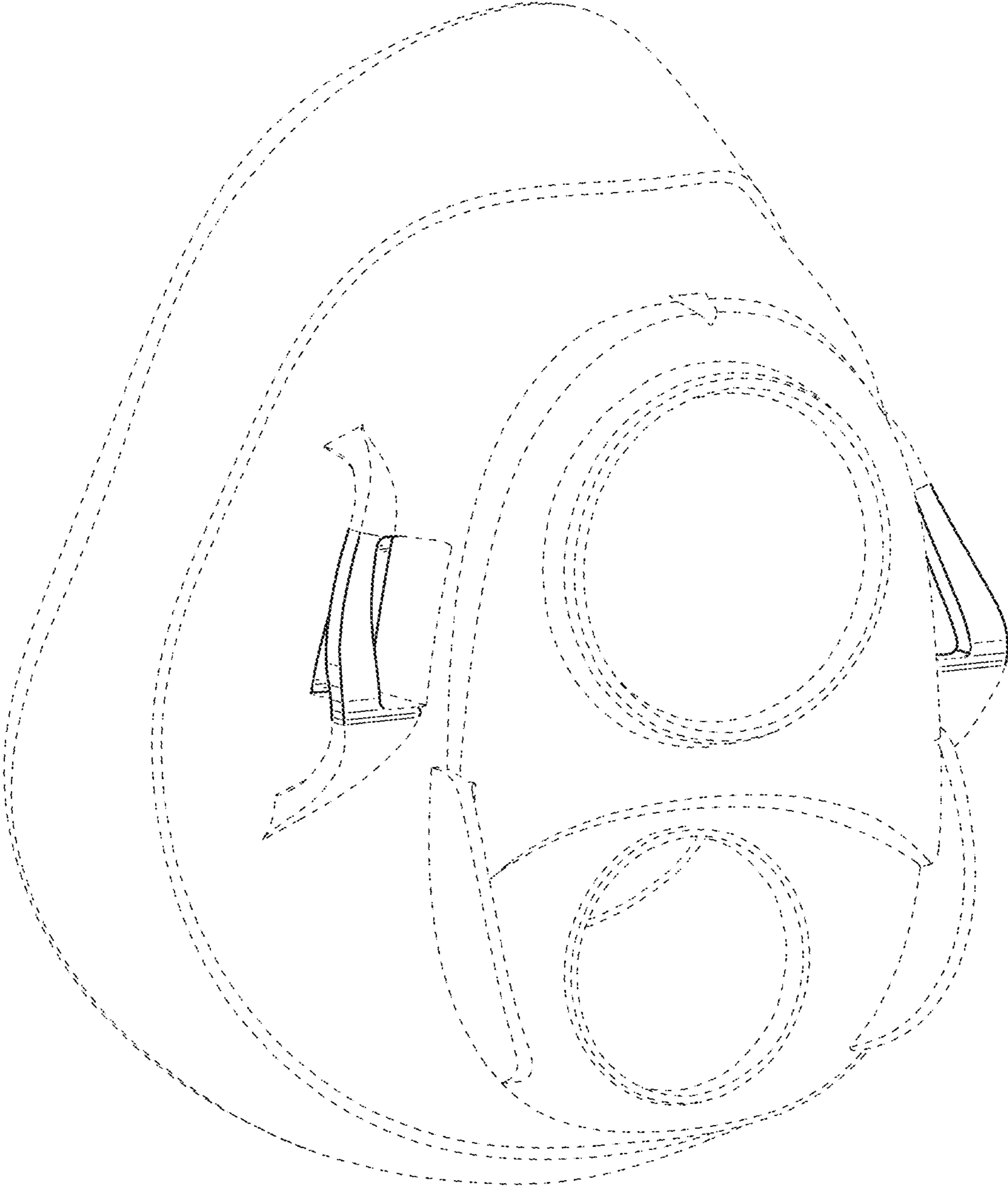


Fig. 1

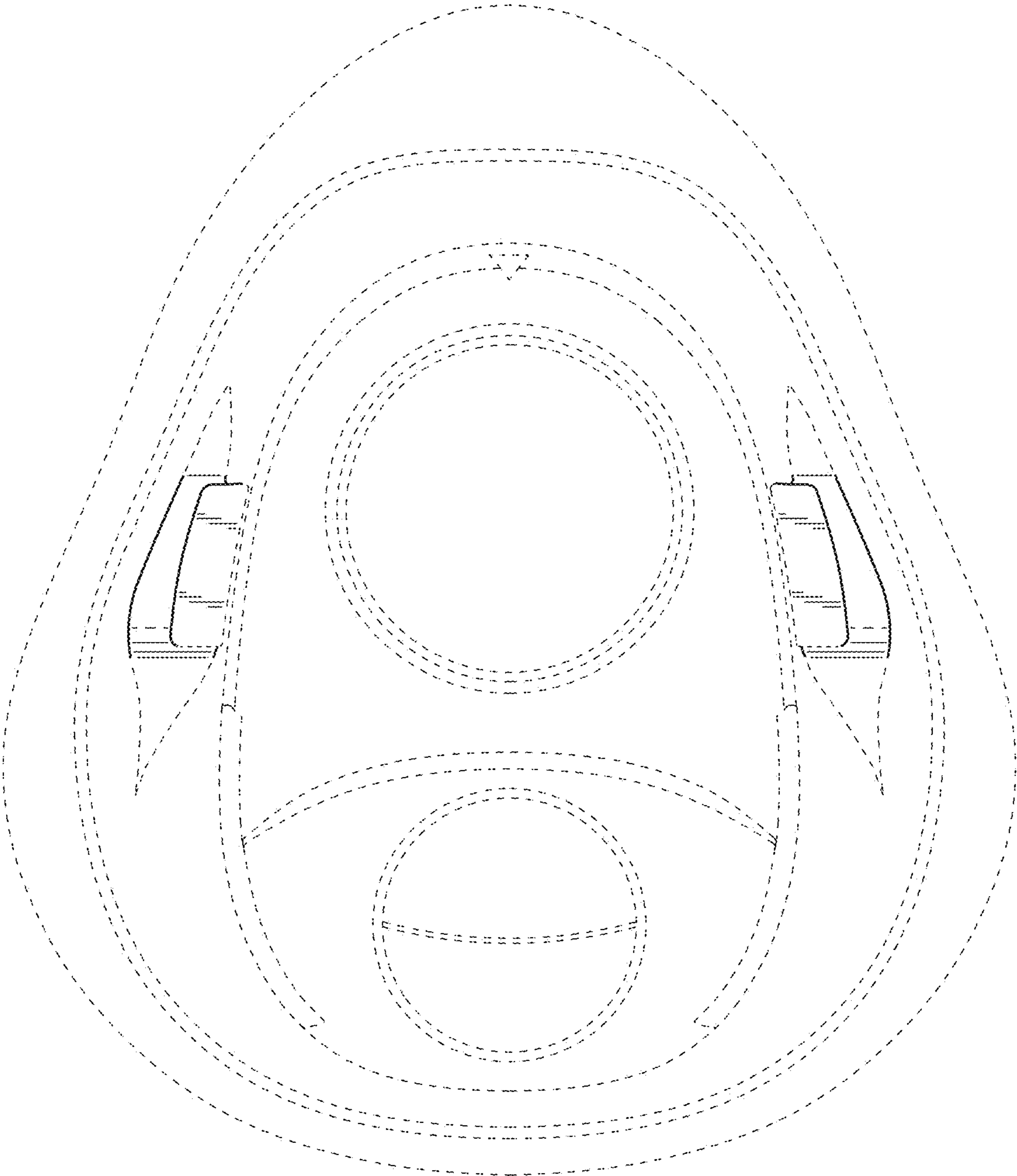


Fig. 2

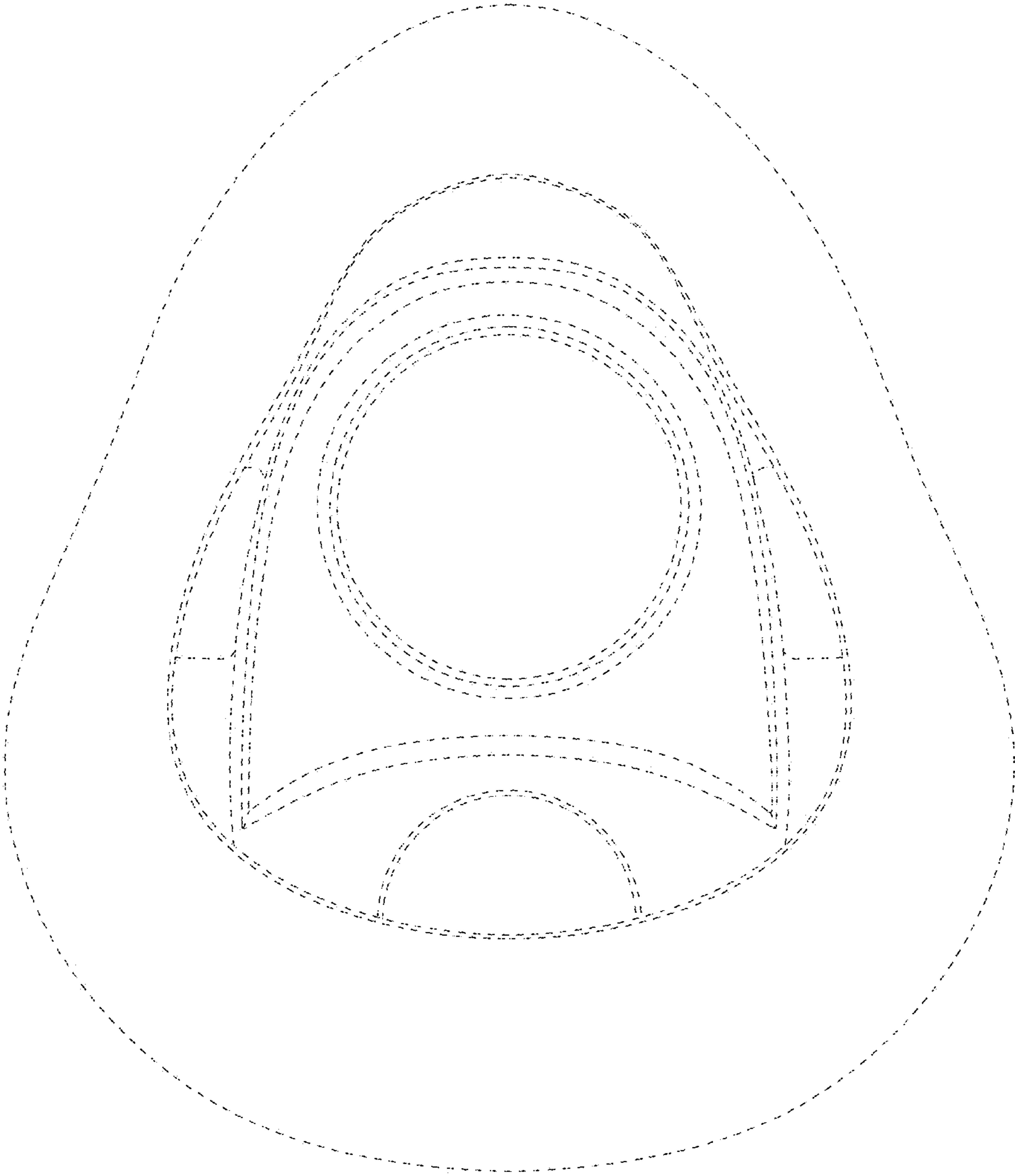


Fig. 3

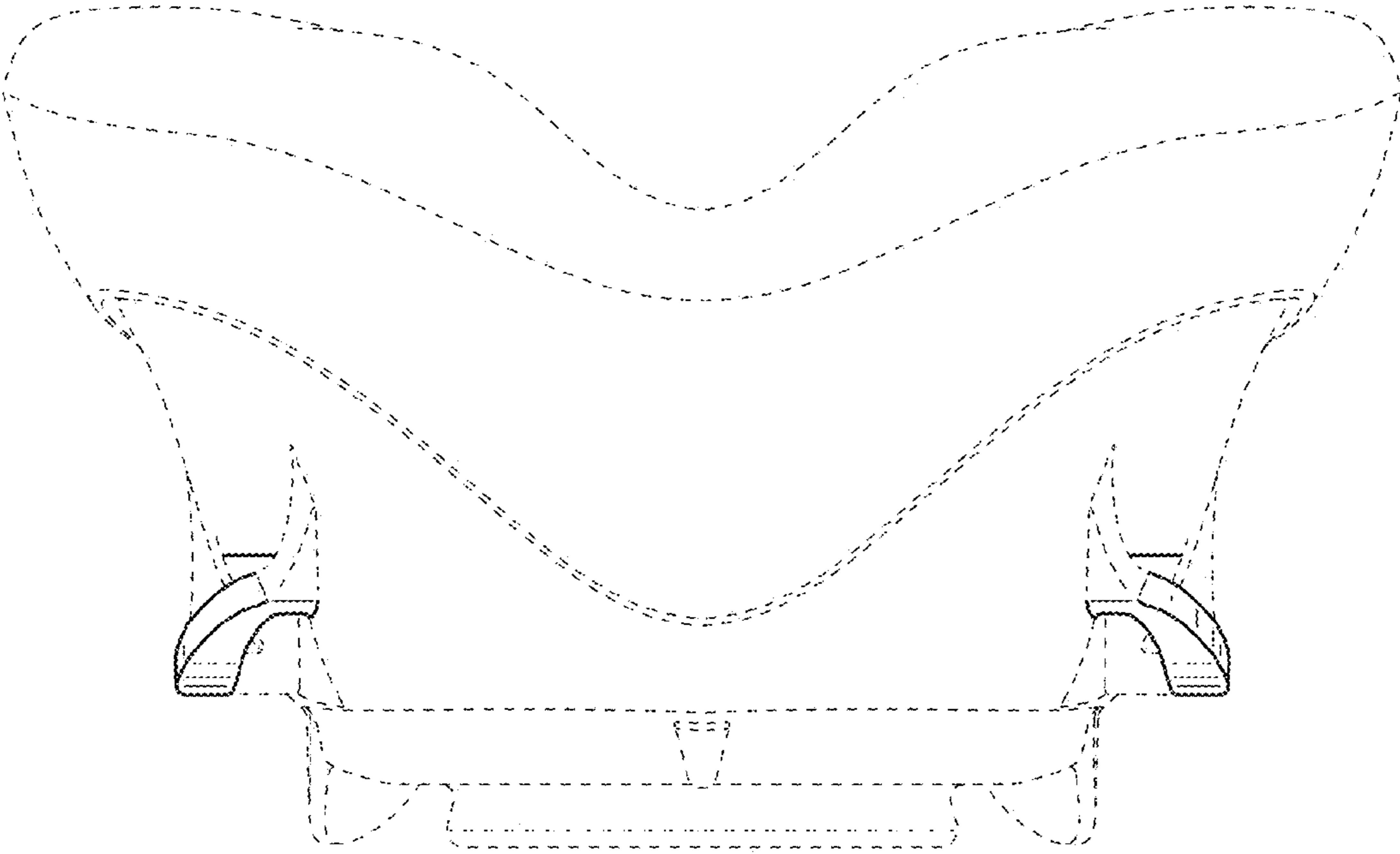


Fig. 4

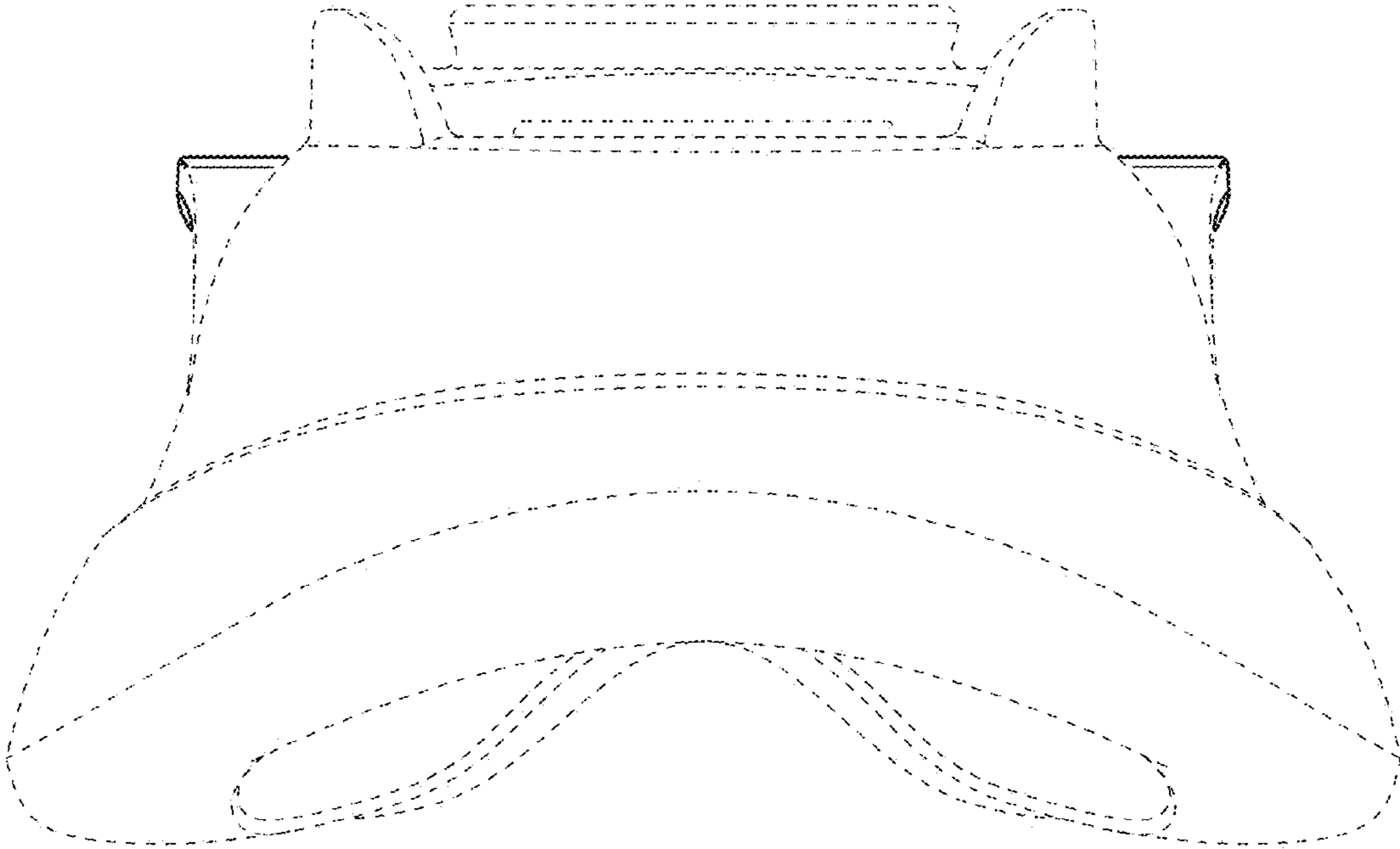


Fig. 5

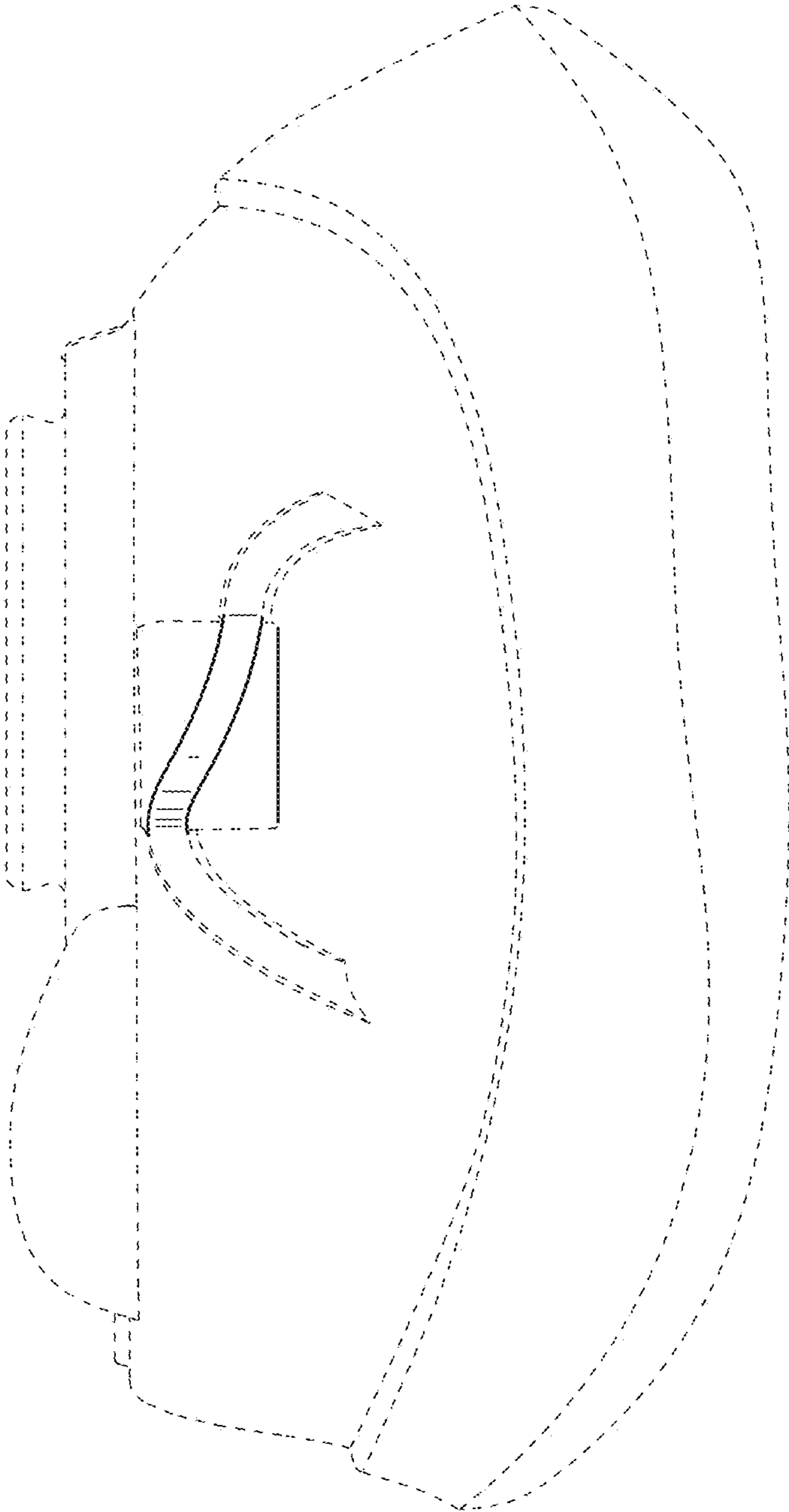


Fig. 6