



US00D702340S

(12) **United States Design Patent**  
**Yabuuchi et al.**

(10) **Patent No.:** **US D702,340 S**  
(45) **Date of Patent:** **\*\* Apr. 8, 2014**

- (54) **FAN MOTOR**
- (71) Applicant: **Mitsubishi Electric Corporation,**  
Tokyo (JP)
- (72) Inventors: **Hironori Yabuuchi,** Chiyoda-ku (JP);  
**Yukihiko Kawanori,** Chiyoda-ku (JP);  
**Shinji Kobayashi,** Chiyoda-ku (JP)
- (73) Assignee: **Mitsubishi Electric Corporation,**  
Tokyo (JP)
- (\*\*) Term: **14 Years**
- (21) Appl. No.: **29/461,058**
- (22) Filed: **Jul. 18, 2013**

- D547,436 S \* 7/2007 Shurtleff ..... D23/411
- D552,228 S \* 10/2007 Ertze ..... D23/411
- D569,494 S \* 5/2008 Pan ..... D23/411
- D596,737 S \* 7/2009 Pan ..... D23/411
- D626,211 S \* 10/2010 Wang ..... D23/411
- D627,053 S \* 11/2010 Pan ..... D23/411
- D627,456 S \* 11/2010 Glasbrenner ..... D23/411
- D632,384 S \* 2/2011 Pan ..... D23/411
- D632,778 S \* 2/2011 Spaggiari ..... D23/411
- D671,633 S \* 11/2012 Glasbrenner ..... D23/411

\* cited by examiner

*Primary Examiner* — Susan Bennett Hattan

*Assistant Examiner* — Janice Hallmark

(74) *Attorney, Agent, or Firm* — Sughrue Mion, PLLC

(30) **Foreign Application Priority Data**

Apr. 16, 2013 (JP) ..... 2013-008516

(51) **LOC (10) Cl.** ..... **23-04**

(52) **U.S. Cl.**  
USPC ..... **D23/411**

(58) **Field of Classification Search**  
USPC ..... D23/370–385, 411–414, 365, 364;  
415/60, 66, 68, 208.1, 213.1, 214.1;  
310/257; 361/695; 126/299 D, 299 R;  
D26/51, 72, 73; D32/15, 16; 416/189;  
D13/179

See application file for complete search history.

(56) **References Cited**

**U.S. PATENT DOCUMENTS**

- D258,056 S \* 1/1981 McKinnon et al. .... D13/112
- D448,841 S \* 10/2001 Campbell ..... D23/411
- D489,441 S \* 5/2004 Wagner ..... D23/370

(57) **CLAIM**

The ornamental design for a fan motor, as shown and described.

**DESCRIPTION**

FIG. 1 is a bottom, front and right side perspective view of a fan motor, showing our new design;  
FIG. 2 is a front elevational view thereof;  
FIG. 3 is a rear elevational view thereof;  
FIG. 4 is a left side elevational view thereof;  
FIG. 5 is a right side elevational view thereof;  
FIG. 6 is a top plan view thereof;  
FIG. 7 is a bottom plan view thereof; and,  
FIG. 8 is a enlarged horizontal cross-sectional view thereof; taken along line 8-8 of FIG. 2, with the internal system omitted.

The broken lines in all views are shown for illustrative purposes only and form no part of the claimed design. The long dash short dash line forms the boundary of the claimed design and forms no part of the claimed design.

**1 Claim, 6 Drawing Sheets**

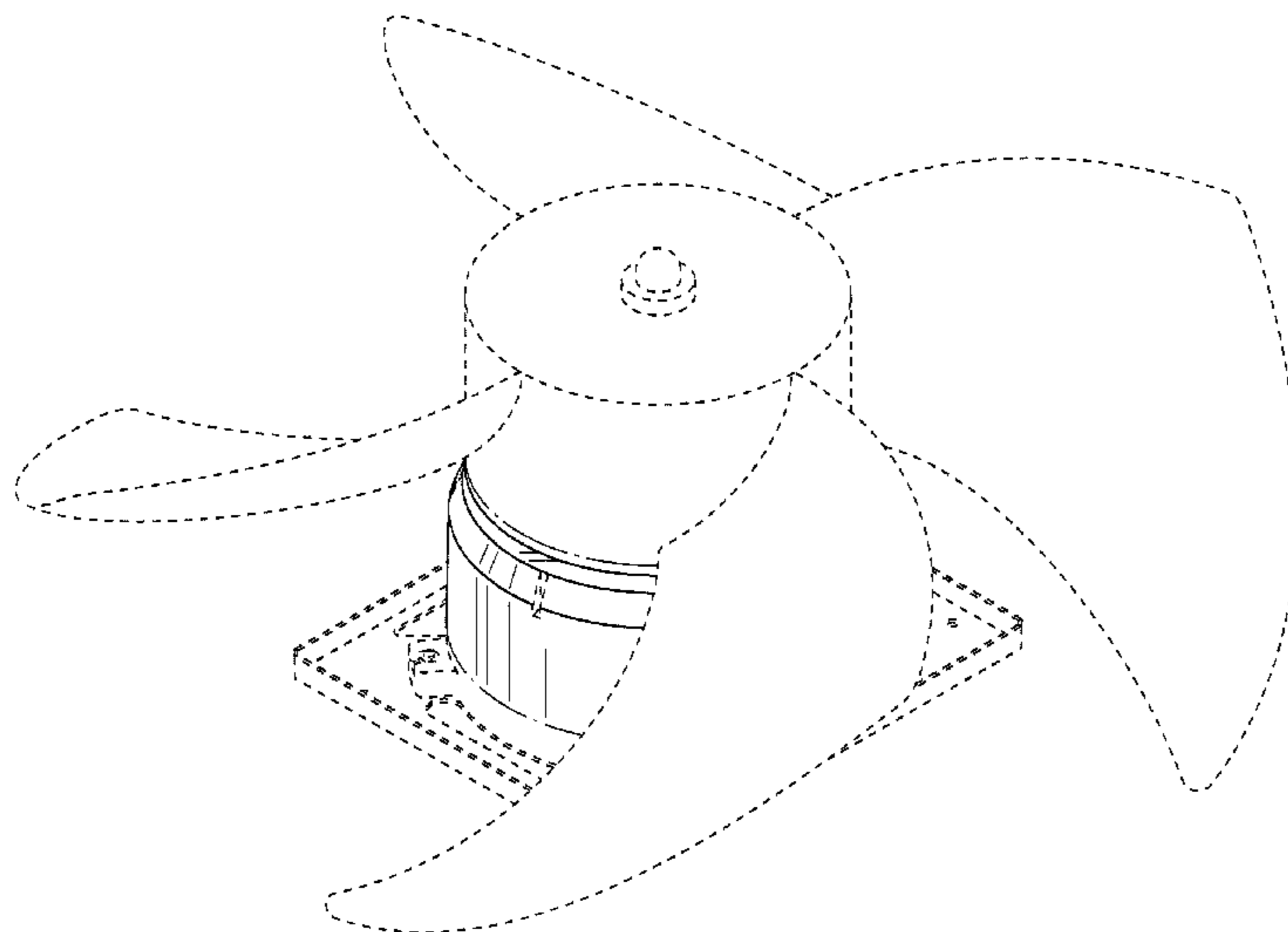


Fig. 1

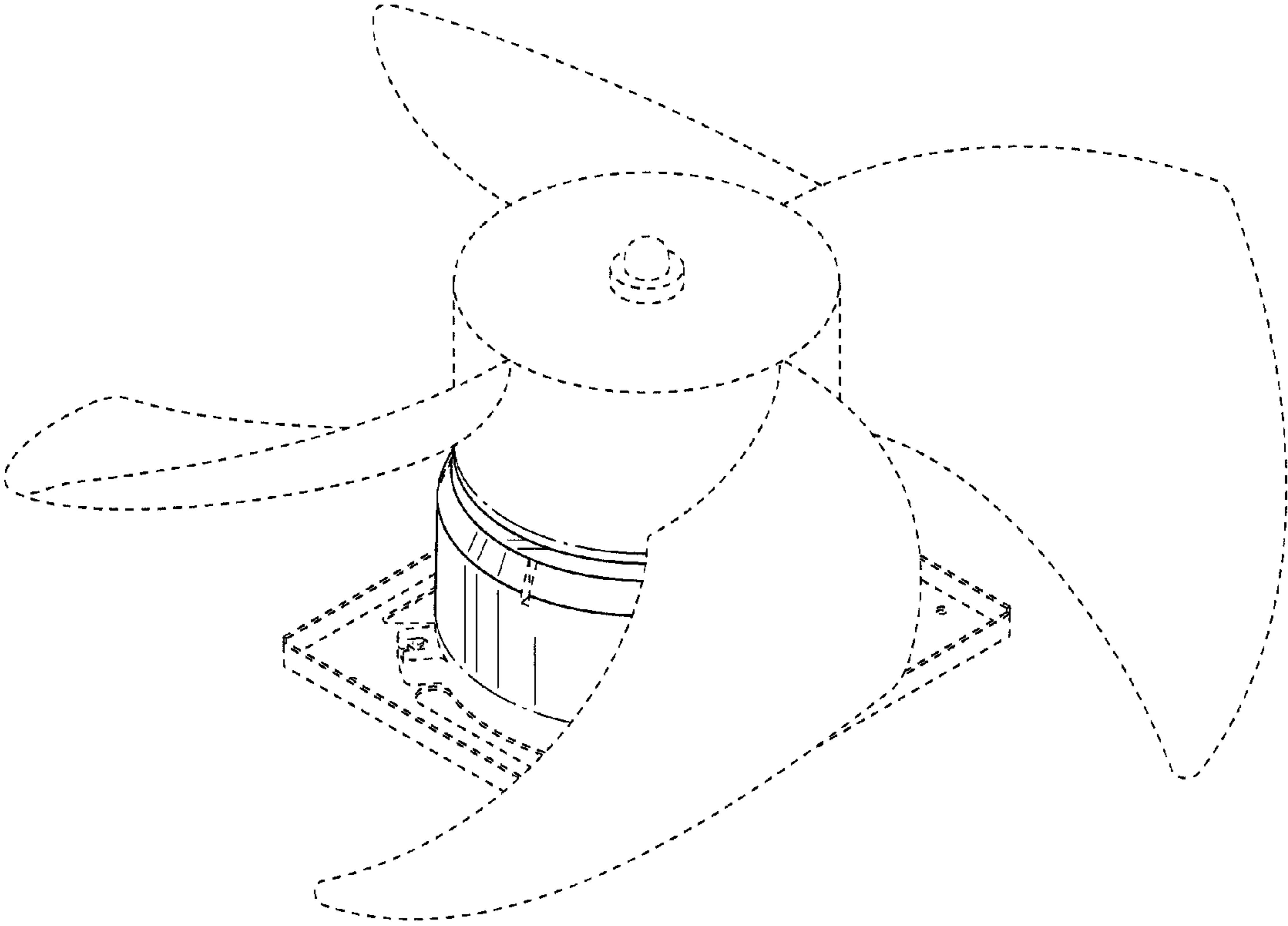


Fig. 2

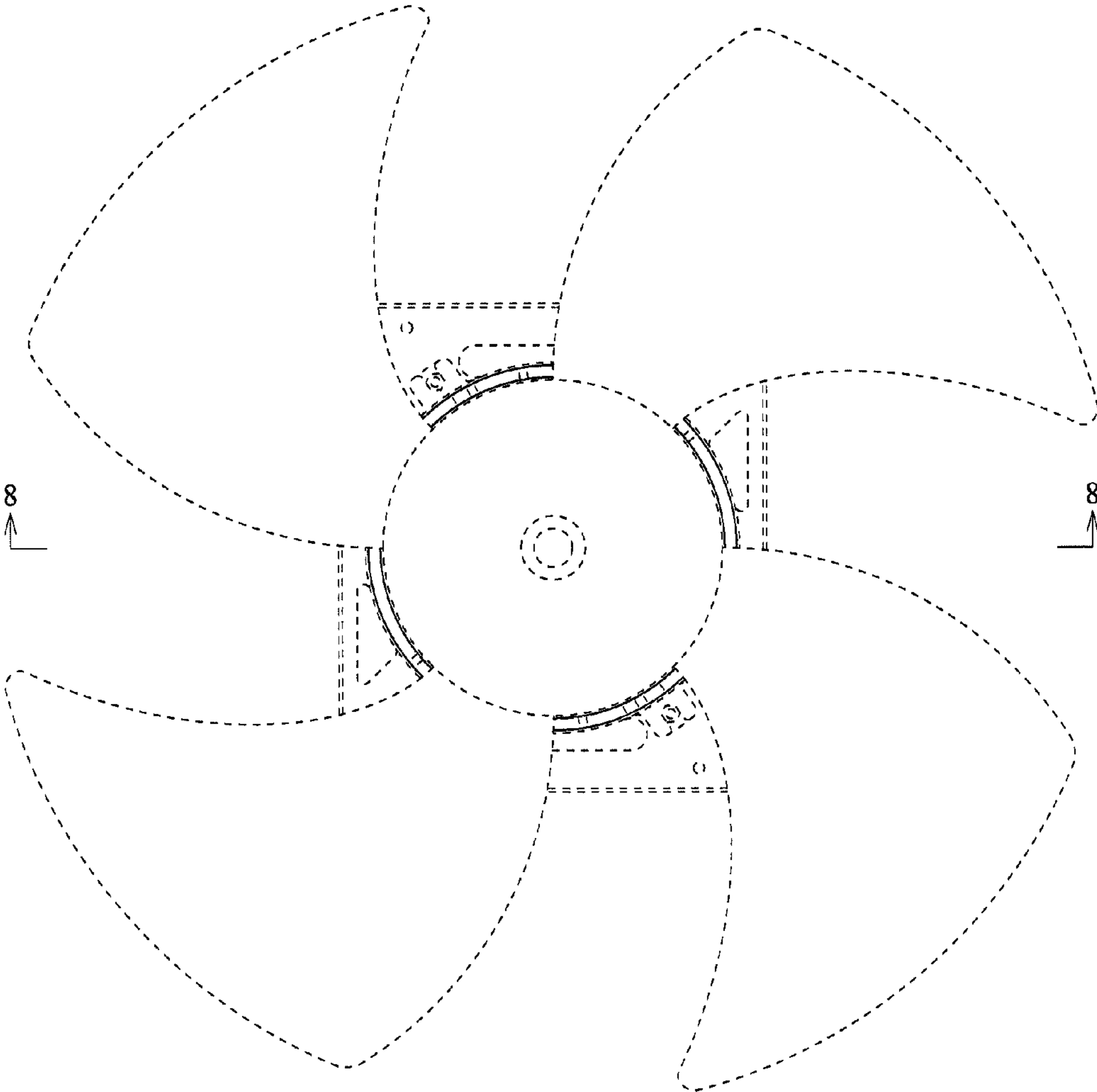


Fig. 3

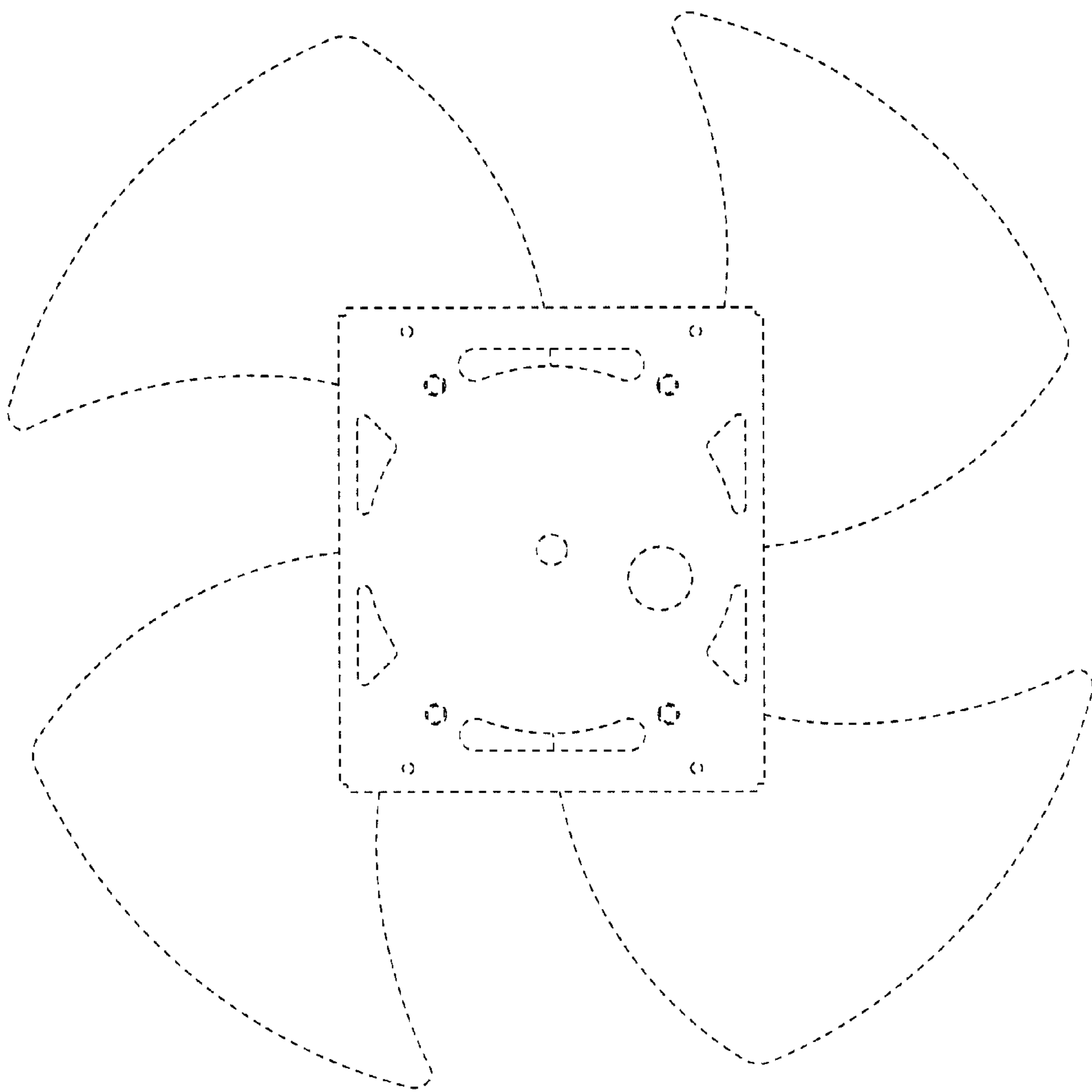


Fig. 4

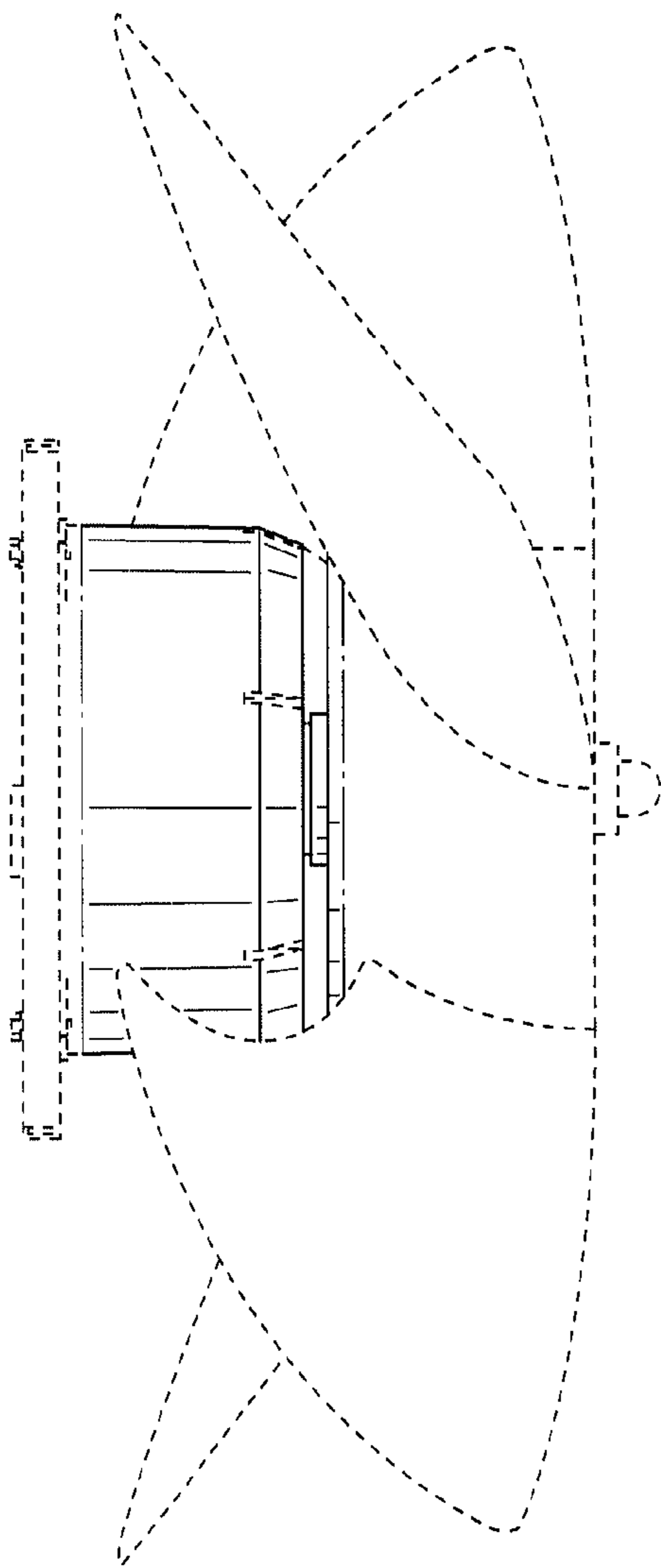


Fig. 5

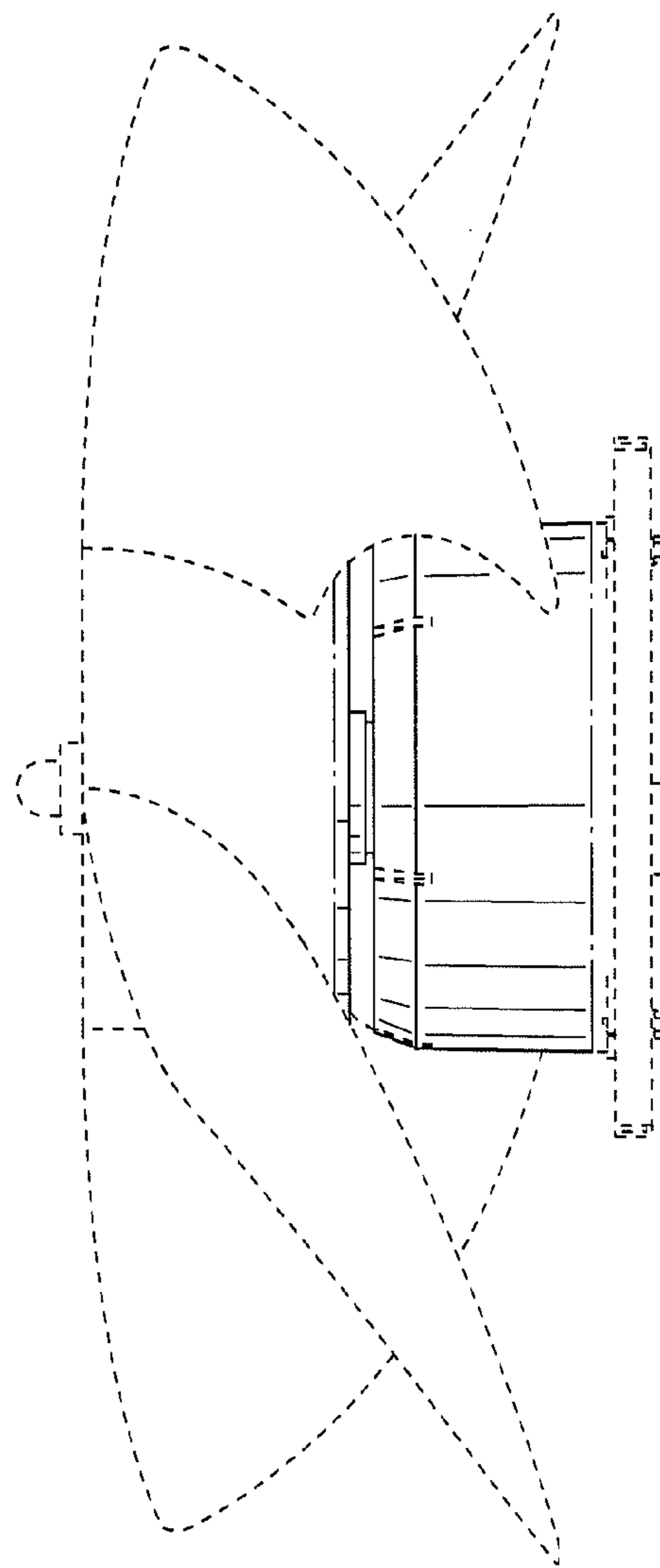


Fig. 6

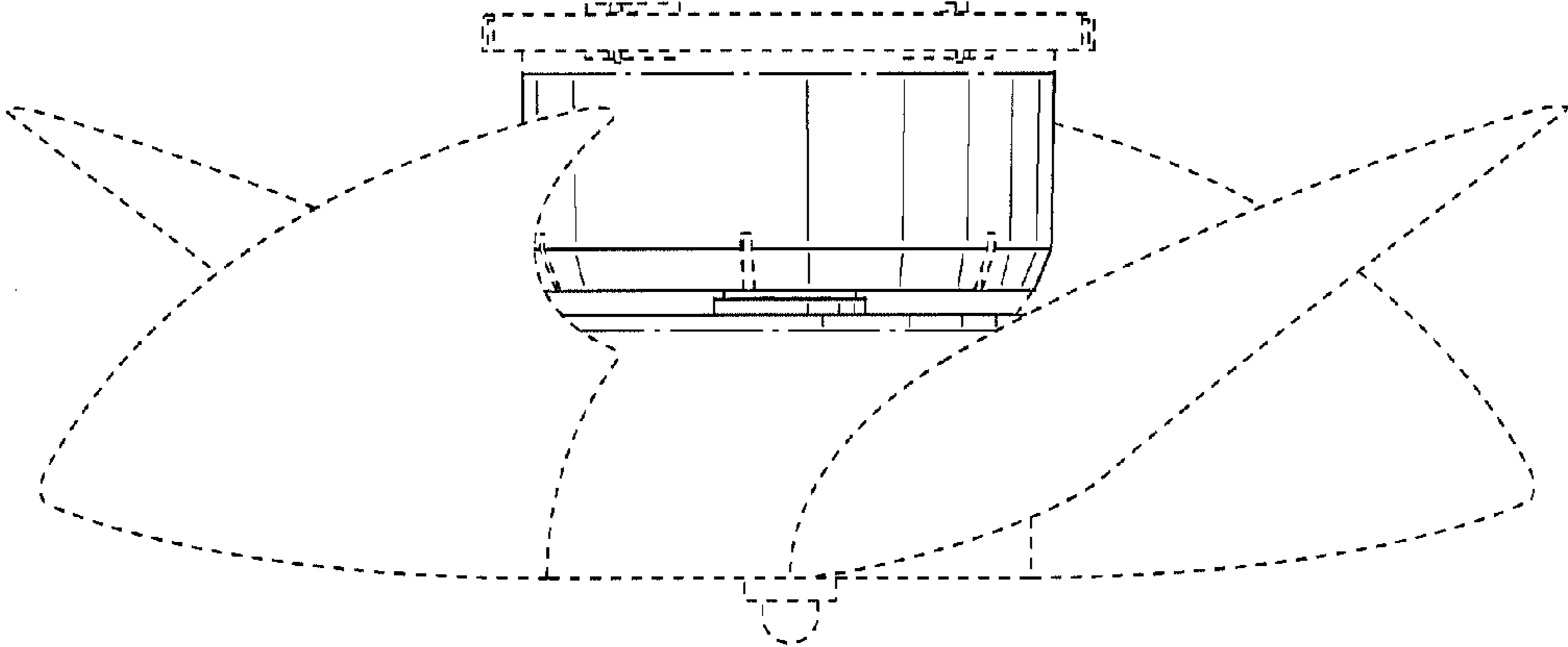


Fig. 7

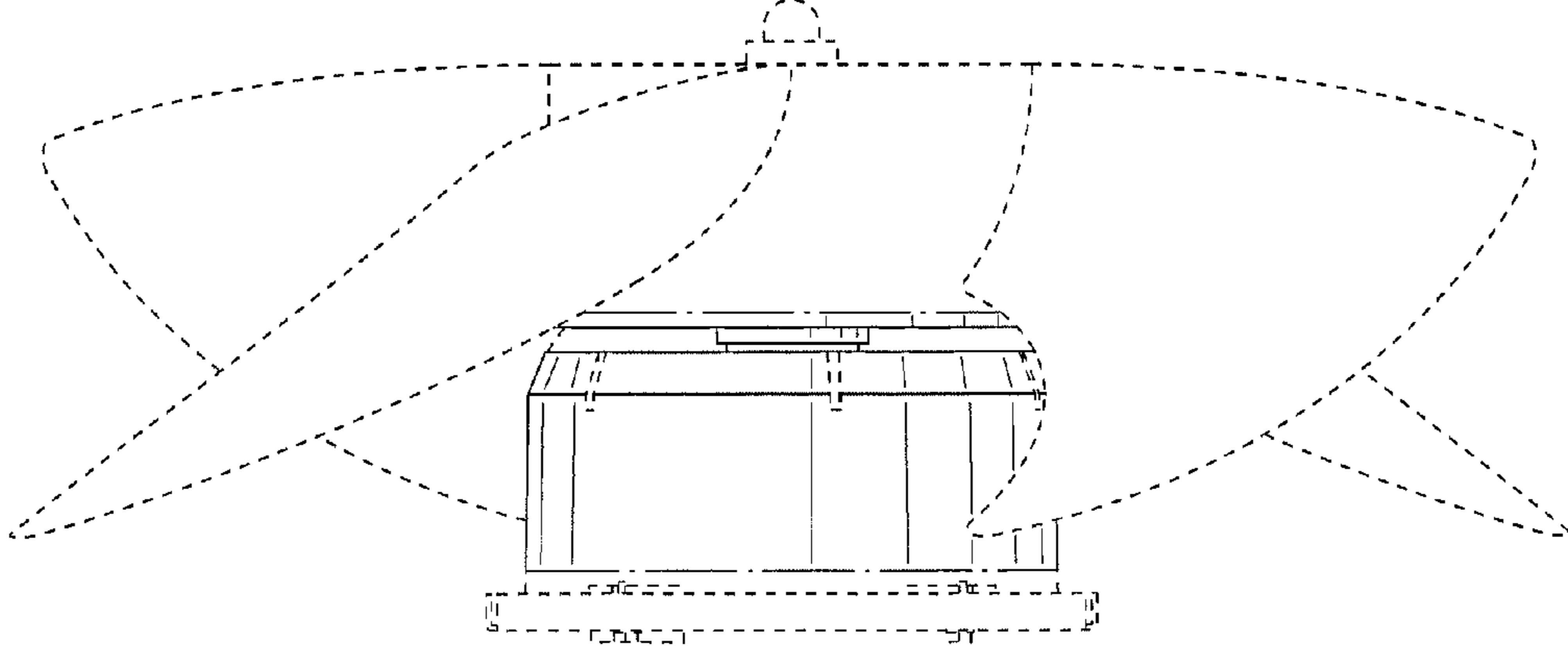


Fig. 8

