



US00D702339S

(12) **United States Design Patent**
Byberg

(10) **Patent No.:** **US D702,339 S**

(45) **Date of Patent:** **** Apr. 8, 2014**

(54) **FIREPLACE GRATE**

(71) Applicant: **Scott Byberg**, King (CA)

(72) Inventor: **Scott Byberg**, King (CA)

(**) Term: **14 Years**

(21) Appl. No.: **29/448,183**

(22) Filed: **Mar. 11, 2013**

(51) **LOC (10) Cl.** **23-03**

(52) **U.S. Cl.**
USPC **D23/407**

(58) **Field of Classification Search**
USPC D23/403-410, 415-422, 499, 345, 347,
D23/349; D7/332, 402, 407, 417; D15/144;
40/428, 798; 44/520, 530; 52/36.3;
126/201, 258, 500, 512, 540, 543, 544,
126/548, 555, 298; 160/DIG. 9; 219/549;
431/263, 273, 329

See application file for complete search history.

(56) **References Cited**

U.S. PATENT DOCUMENTS

1,588,954	A *	6/1926	Emmet	126/298
2,600,753	A *	6/1952	Gilbert	126/298
3,007,469	A *	11/1961	Hill	126/298
RE28,586	E *	10/1975	Dahlquist	126/505
D247,417	S *	3/1978	Smith	D23/398
4,215,671	A *	8/1980	Nadolsky	126/541
4,329,974	A *	5/1982	Reichert	126/541
4,360,001	A *	11/1982	Thompson	126/541
D267,466	S *	1/1983	Hassett et al.	D23/398

4,369,762	A *	1/1983	Ziebert	126/541
4,526,159	A *	7/1985	Vroome	126/541
4,770,159	A *	9/1988	Brown et al.	126/541
5,067,476	A *	11/1991	Rhodes, Jr.	126/540
5,069,200	A *	12/1991	Thow et al.	126/512
D387,854	S *	12/1997	Newman et al.	D23/409
D517,680	S *	3/2006	Butler	D23/403
D614,282	S *	4/2010	Betz et al.	D23/409
D635,657	S *	4/2011	Marple	D23/398

* cited by examiner

Primary Examiner — Karen S Acker

(74) *Attorney, Agent, or Firm* — Robert P. Stratton

(57) **CLAIM**

The ornamental design for a fireplace grate, as shown and described.

DESCRIPTION

FIG. 1 is a perspective view of the front, side and top of the fireplace grate in accordance with an embodiment of the design;

FIG. 2 is a perspective view of the bottom, side and back of the fireplace grate of FIG. 1;

FIG. 3 is a top view of the fireplace grate of FIG. 1;

FIG. 4 is a rear view of the fireplace grate of FIG. 1;

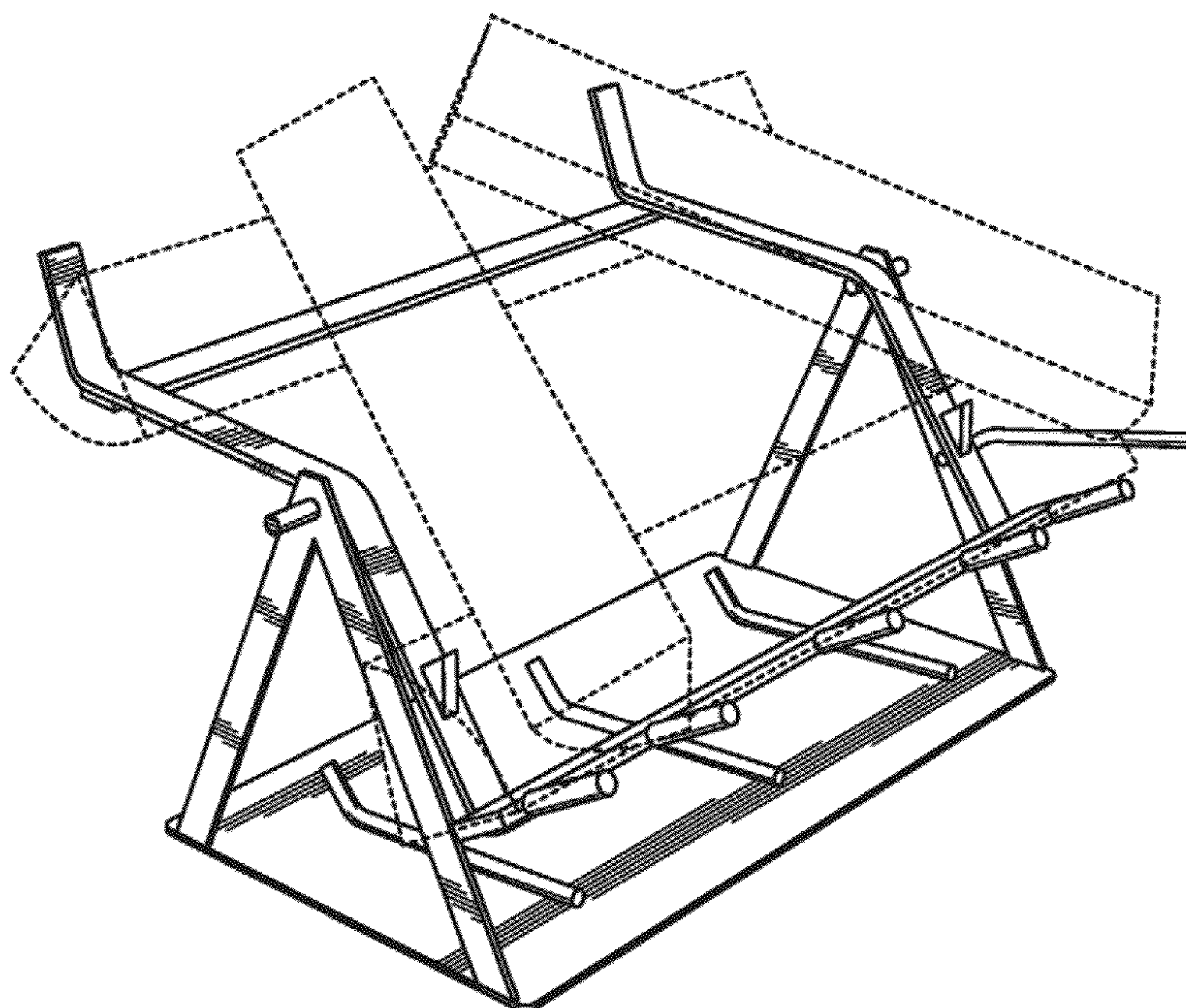
FIG. 5 is a front view of the fireplace grate of FIG. 1;

FIG. 6 is a side view of a first side of the fireplace grate of FIG. 1;

FIG. 7 is a bottom view of the fireplace grate of FIG. 1; and, FIG. 8 is a side view of a second side of the fireplace grate of FIG. 1.

The broken lines in the drawings represent environmental subject matter that forms no part of the claimed design.

1 Claim, 8 Drawing Sheets



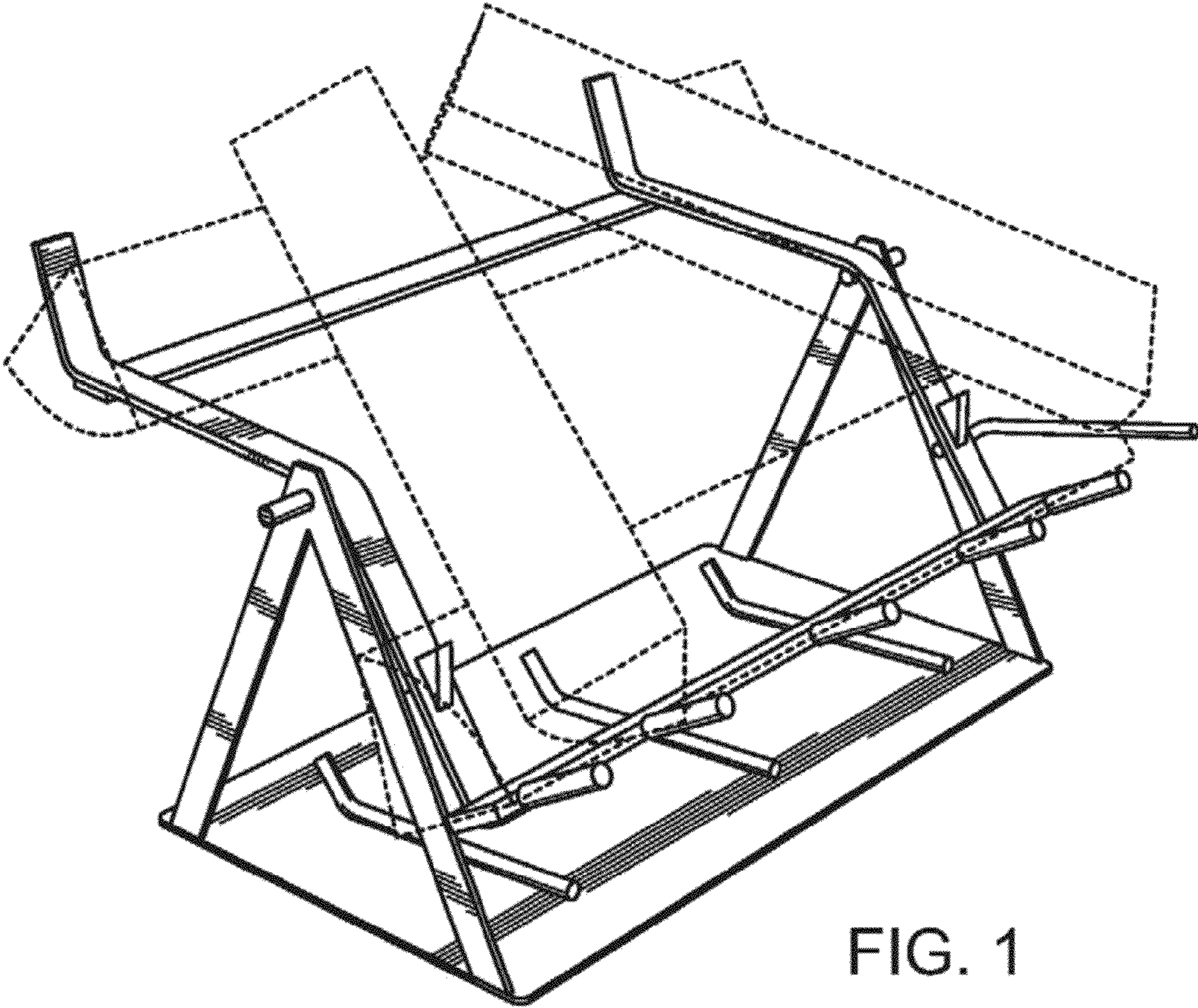


FIG. 1

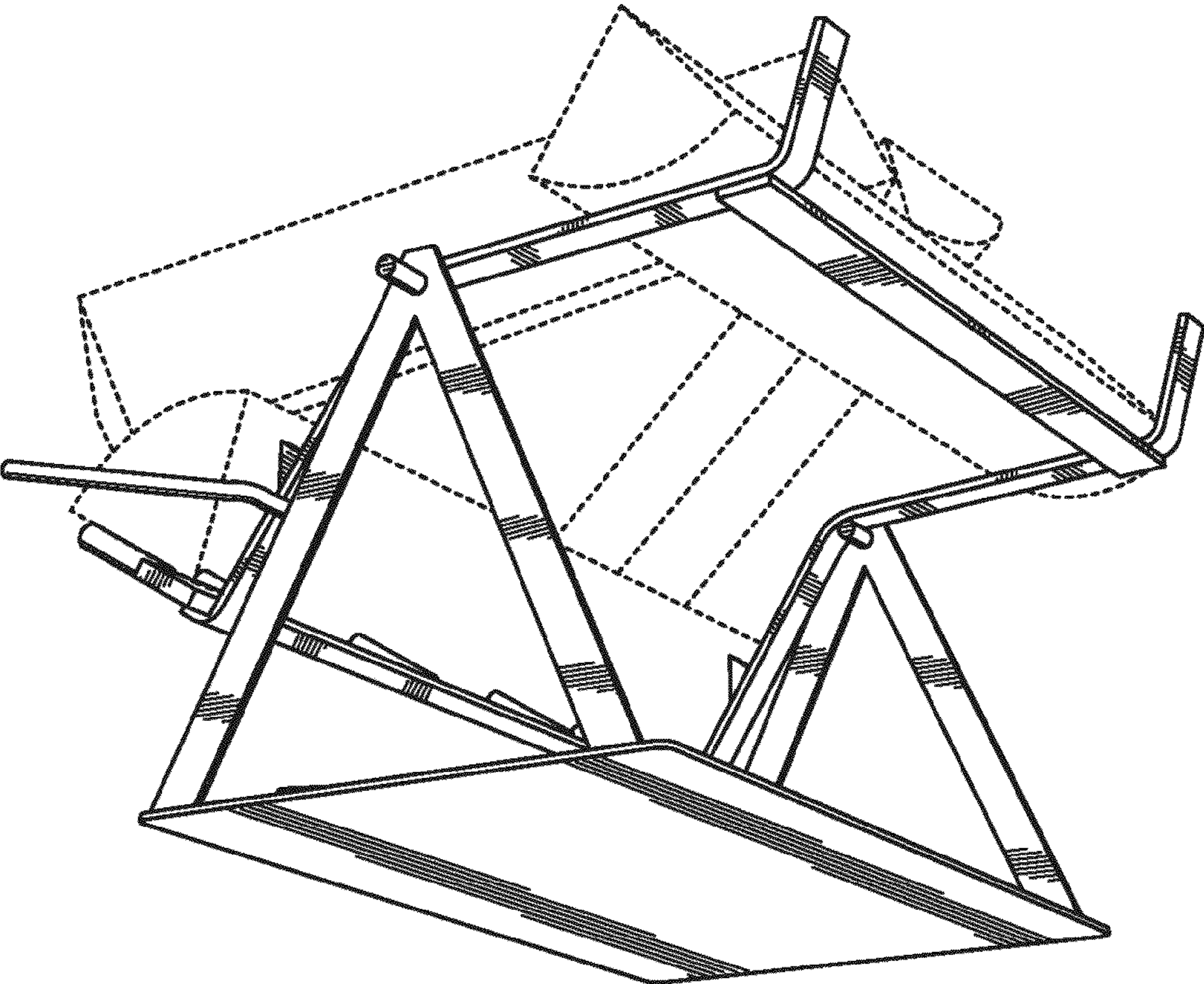


FIG. 2

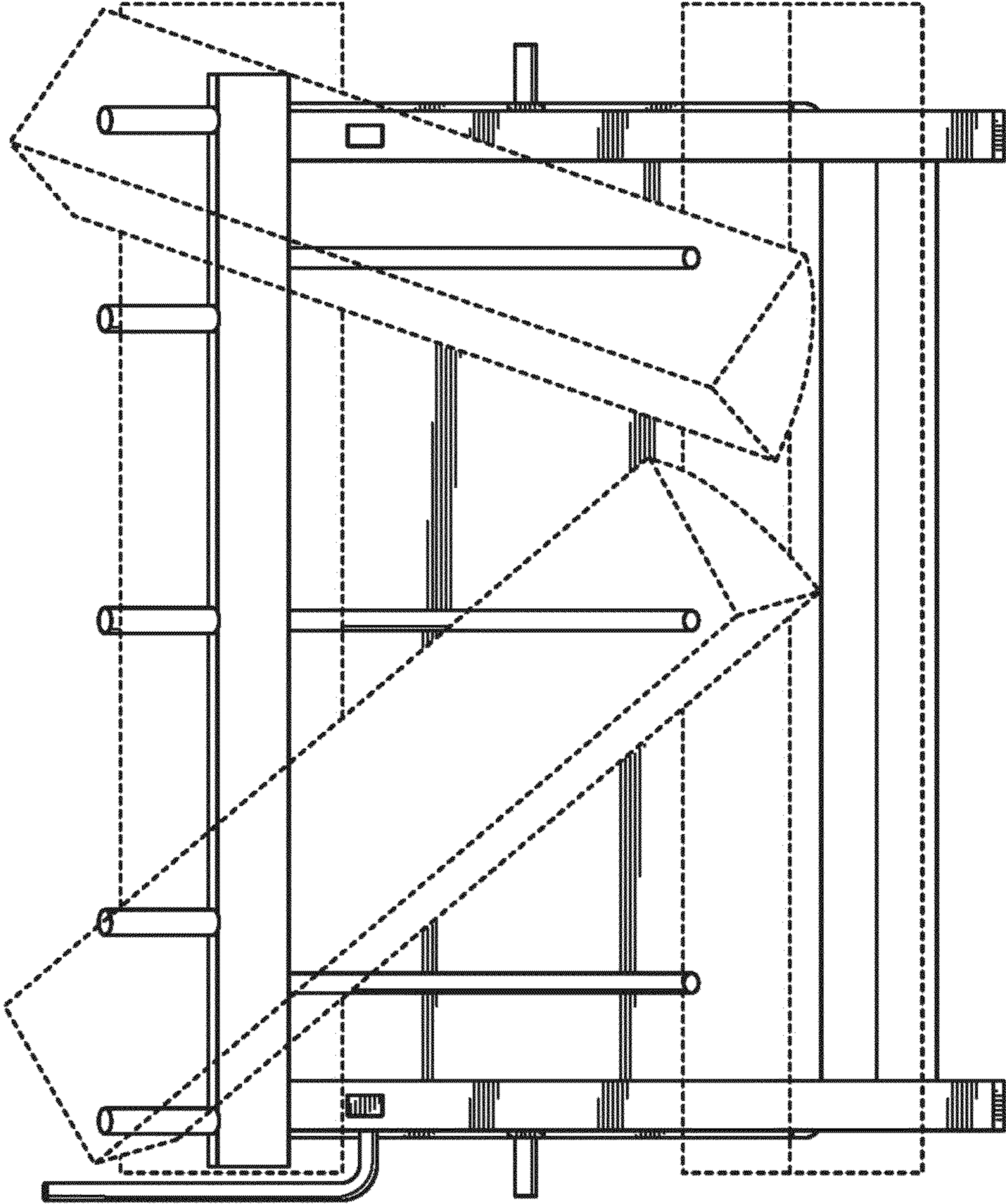


FIG. 3

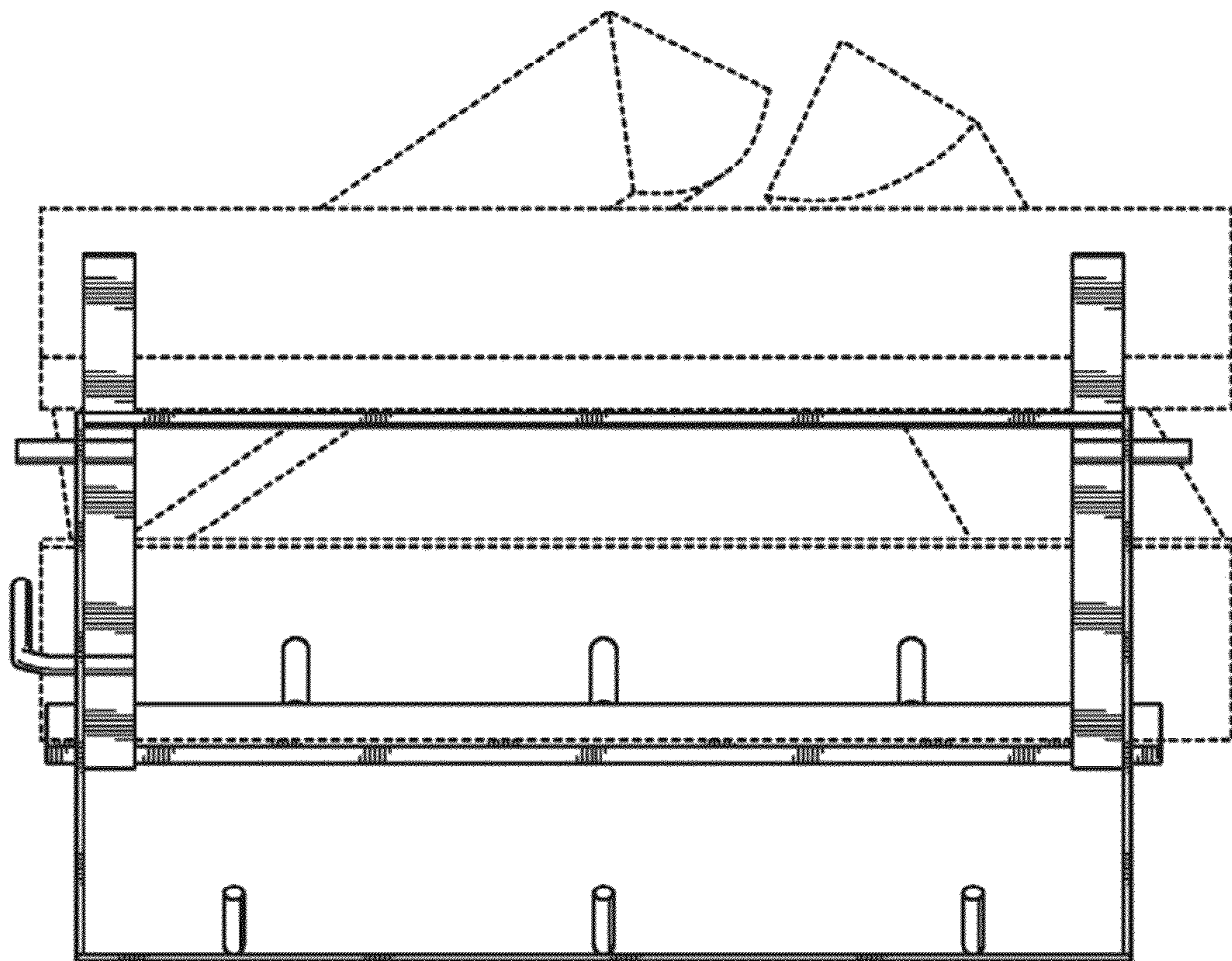


FIG. 4

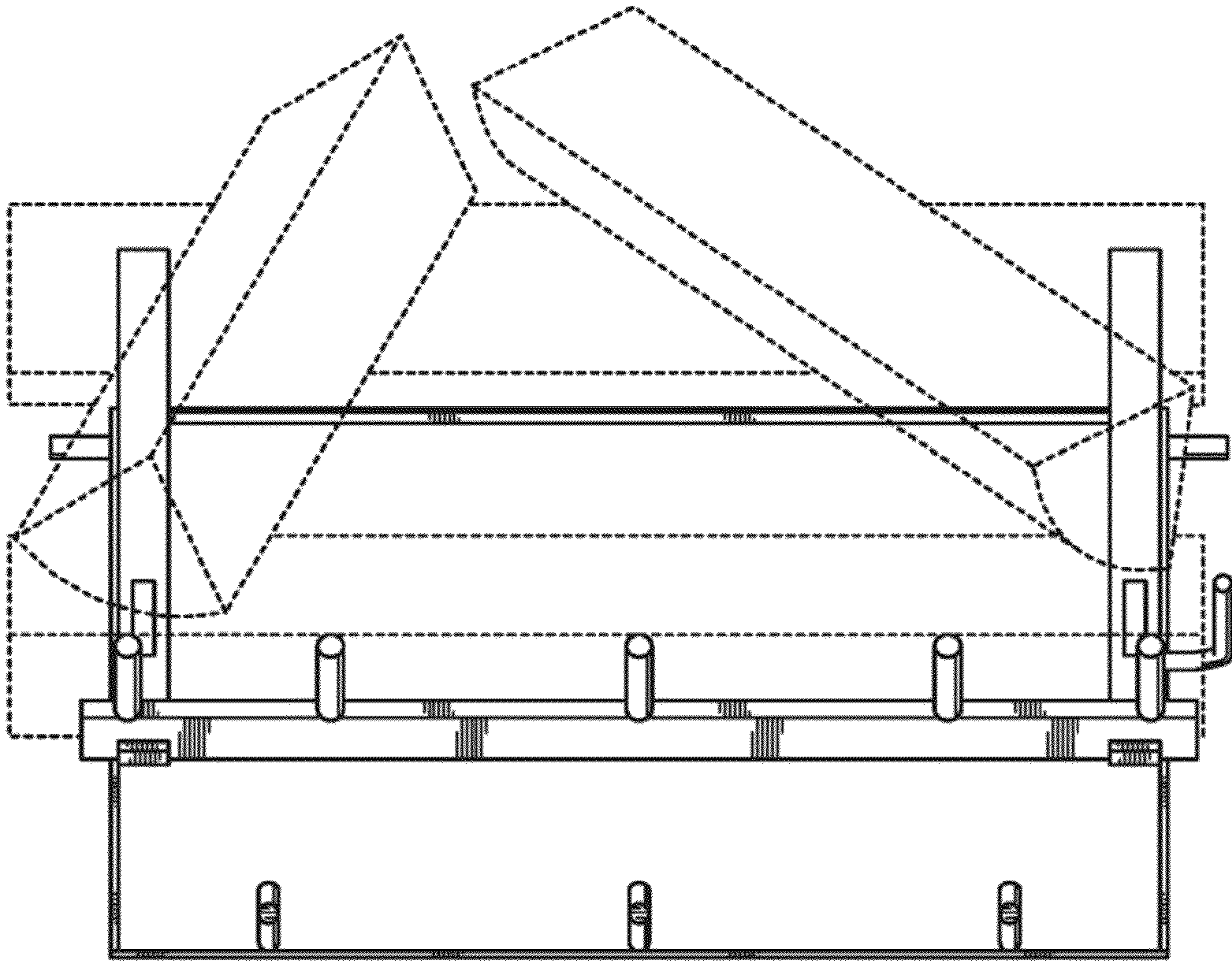


FIG. 5

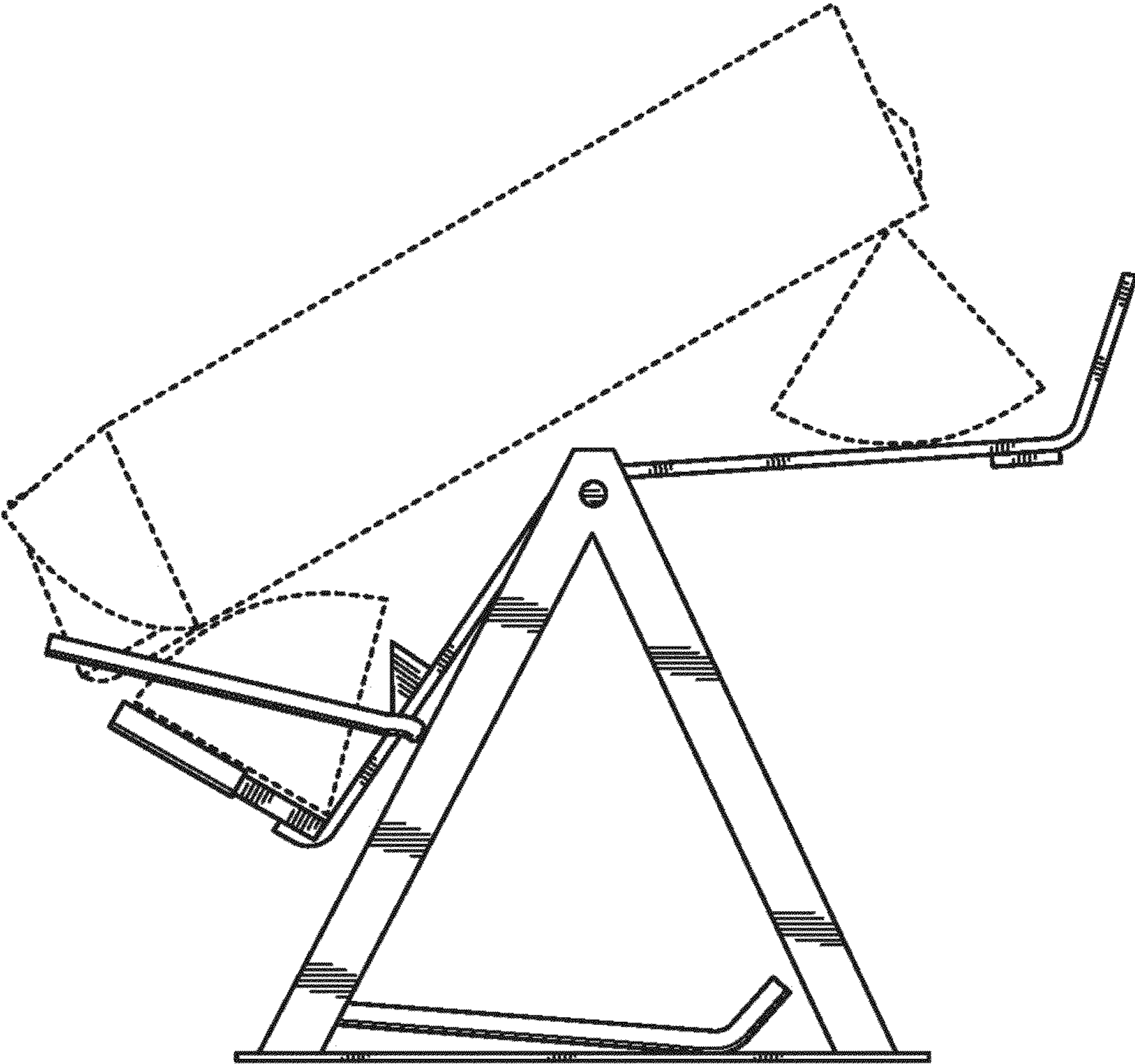


FIG. 6

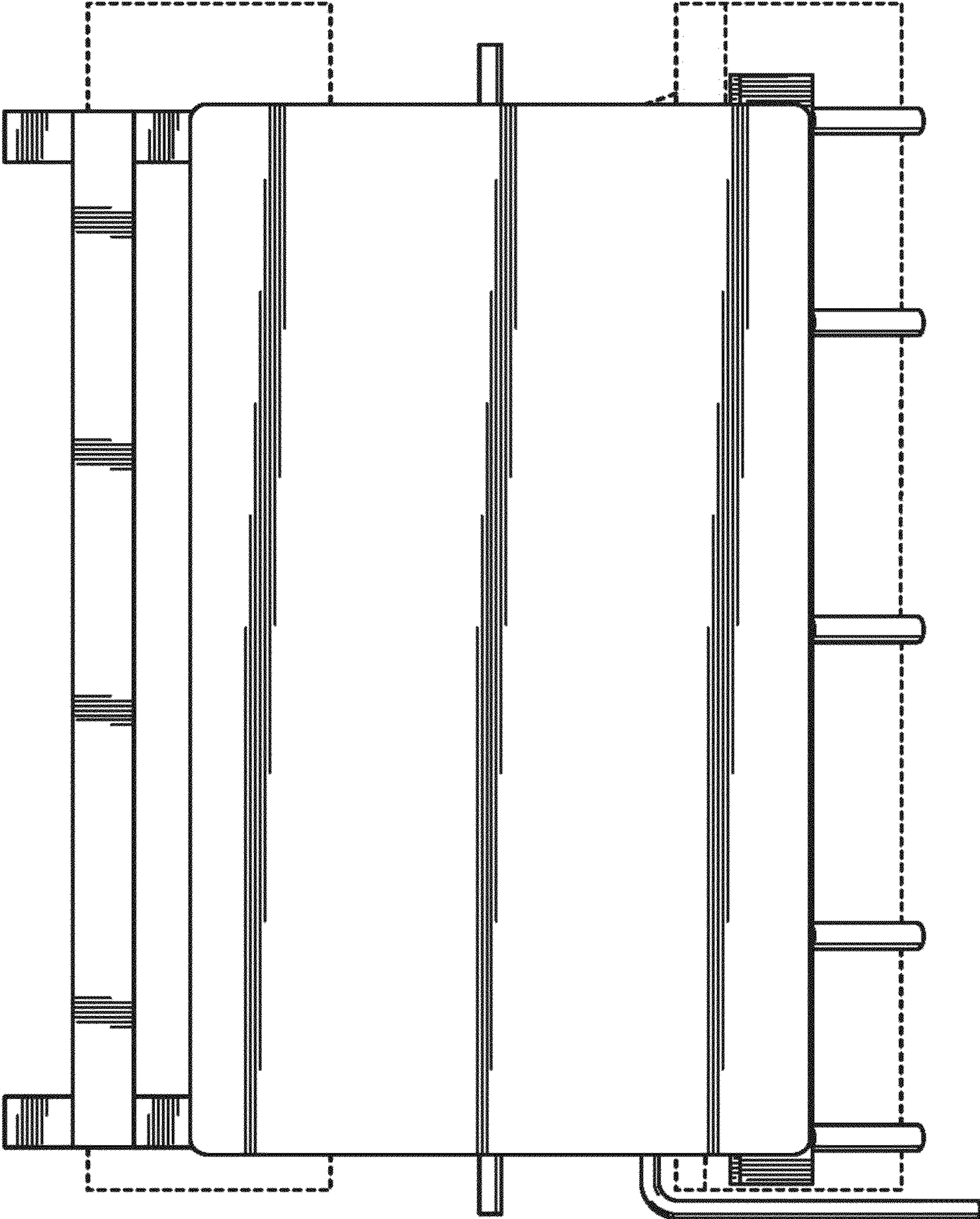


FIG. 7

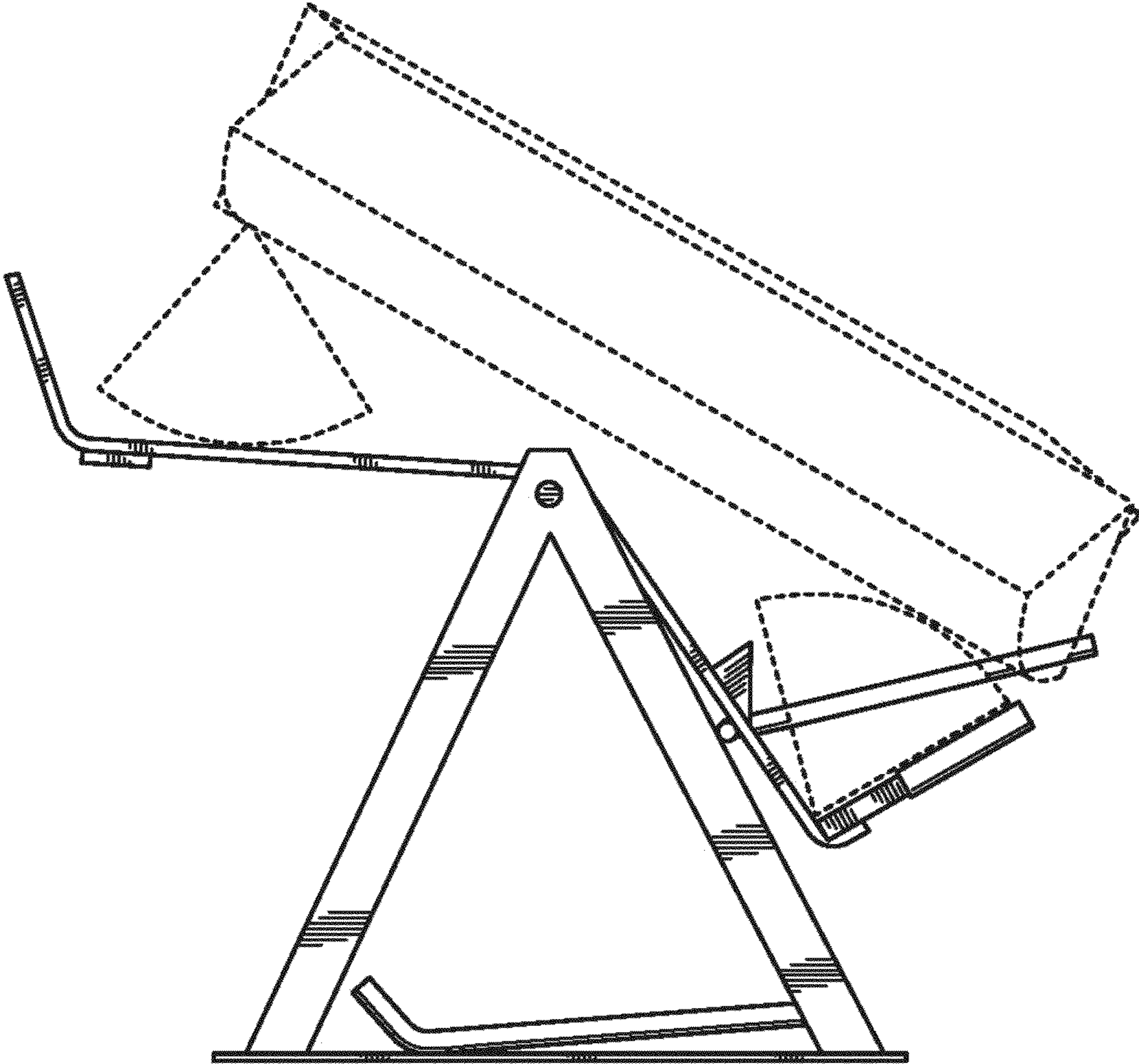


FIG. 8