



US00D702338S

(12) **United States Design Patent**
Jones

(10) **Patent No.:** **US D702,338 S**
(45) **Date of Patent:** **** Apr. 8, 2014**

(54) **VENT**
(75) **Inventor:** **Rory Macpherson Jones**, Christchurch (NZ)
(73) **Assignee:** **Teal Corporation Limited**, Auckland (NZ)
(**) **Term:** **14 Years**
(21) **Appl. No.:** **29/427,433**
(22) **Filed:** **Jul. 18, 2012**

4,585,021 A 4/1986 Belknap
4,704,510 A * 11/1987 Matsui D7/584
5,349,984 A 9/1994 Weinheimer
D351,263 S * 10/1994 Evans D30/129
D381,472 S * 7/1997 Catalano et al. D7/584
5,911,938 A * 6/1999 El et al. 264/261
D478,474 S * 8/2003 Zettle D7/584
D509,101 S * 9/2005 Søndergaard et al. D7/392.1
D575,589 S * 8/2008 Fadda D7/584
D590,551 S * 4/2009 Sperbeck D30/129
D623,806 S * 9/2010 Modi et al. D30/129
D628,443 S * 12/2010 McTaggart D7/587
D634,486 S * 3/2011 Graham-Cretcher D30/129
D651,865 S * 1/2012 Smyers D7/630
D652,266 S * 1/2012 Smyers D7/630
8,133,425 B2 3/2012 Jones

(30) **Foreign Application Priority Data**
Jan. 18, 2012 (NZ) 415755
(51) **LOC (10) Cl.** **23-02**
(52) **U.S. Cl.**
USPC **D23/393**
(58) **Field of Classification Search**
USPC D23/385–395, 397, 370–373, 365, 354,
D23/399–403, 421, 499; 454/309, 275–277,
454/284, 287–291, 358–363; 52/302.1,
52/32.07; 285/229, 189, 183, 123.1, 15,
285/114, 110, 424, 197; 264/310, 114;
137/511, 543.21; D7/630, 584, 587;
D30/129
See application file for complete search history.

* cited by examiner

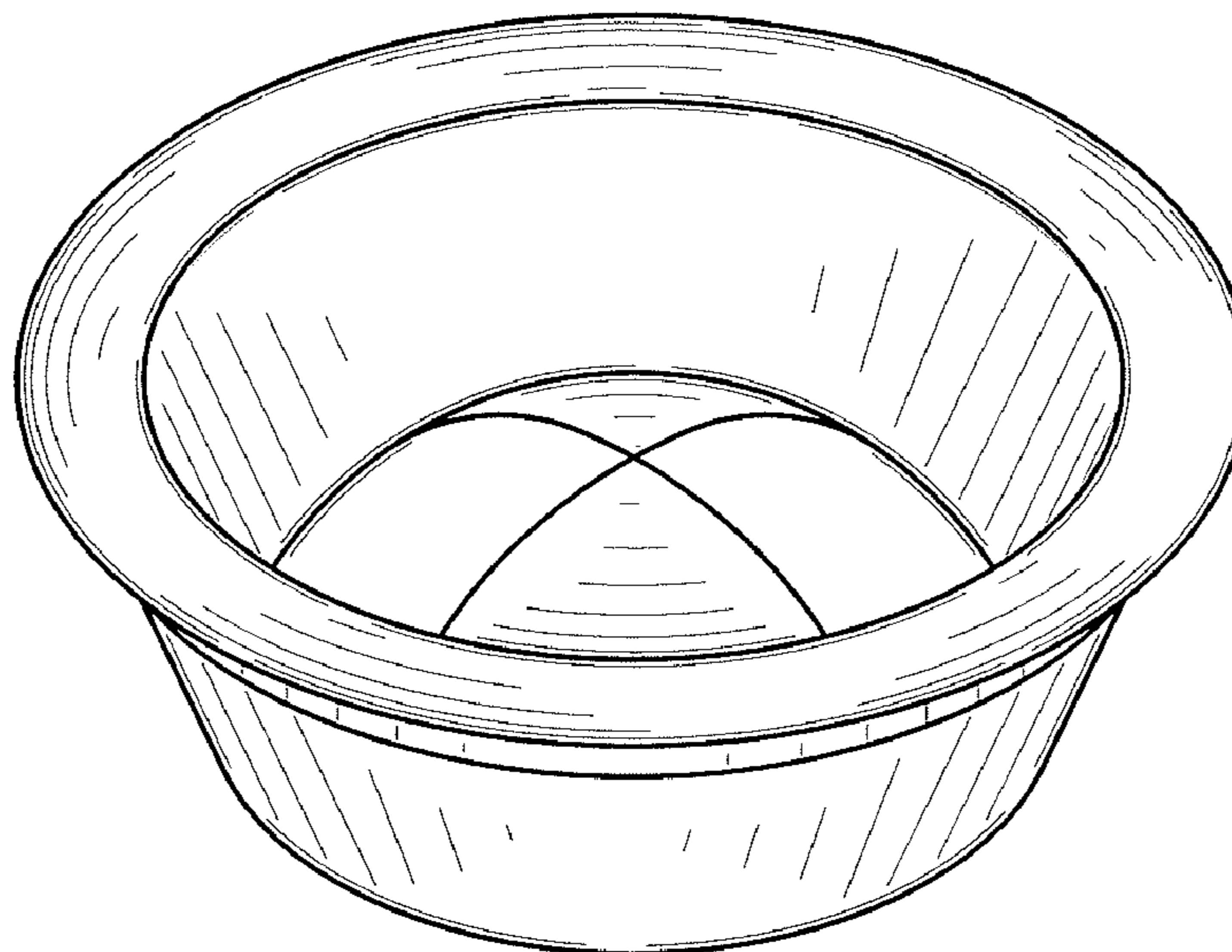
Primary Examiner — David Muller
(74) *Attorney, Agent, or Firm* — Jacobson Holman PLLC

(56) **References Cited**
U.S. PATENT DOCUMENTS
3,350,745 A 11/1967 Schott
3,550,206 A 12/1970 Von Der Heide

(57) **CLAIM**
I claim the ornamental design for the vent, as shown and described.

DESCRIPTION
FIG. 1 is a top perspective view of the vent embodying my design;
FIG. 2 is a bottom perspective view thereof;
FIG. 3 is a top plan view thereof;
FIG. 4 is a bottom plan view thereof;
FIG. 5 is a side elevation view thereof, the view of the other four sides being identical; and,
FIG. 6 is a cross-sectional view along line 6-6 of FIG. 3.

1 Claim, 3 Drawing Sheets



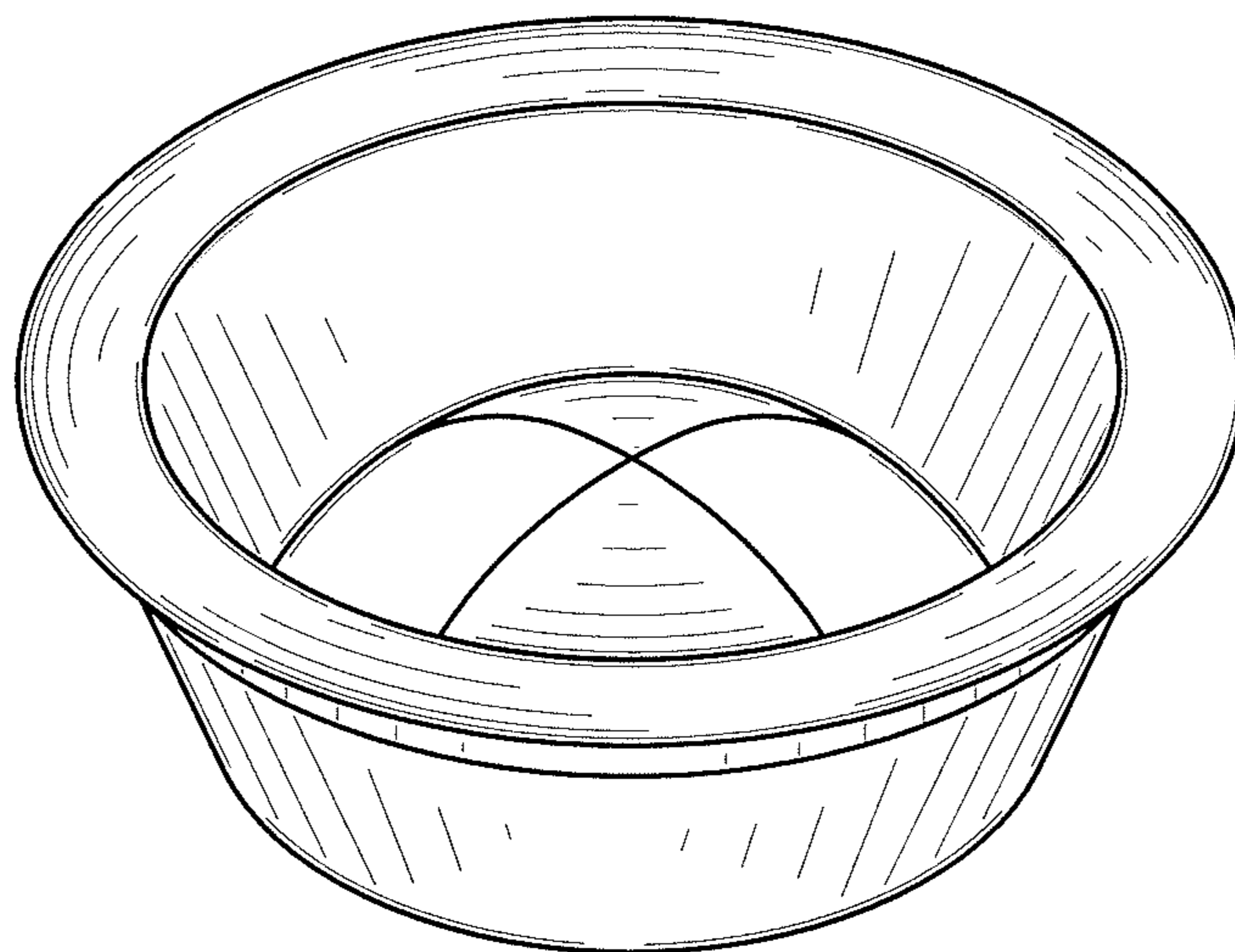


FIG. 1

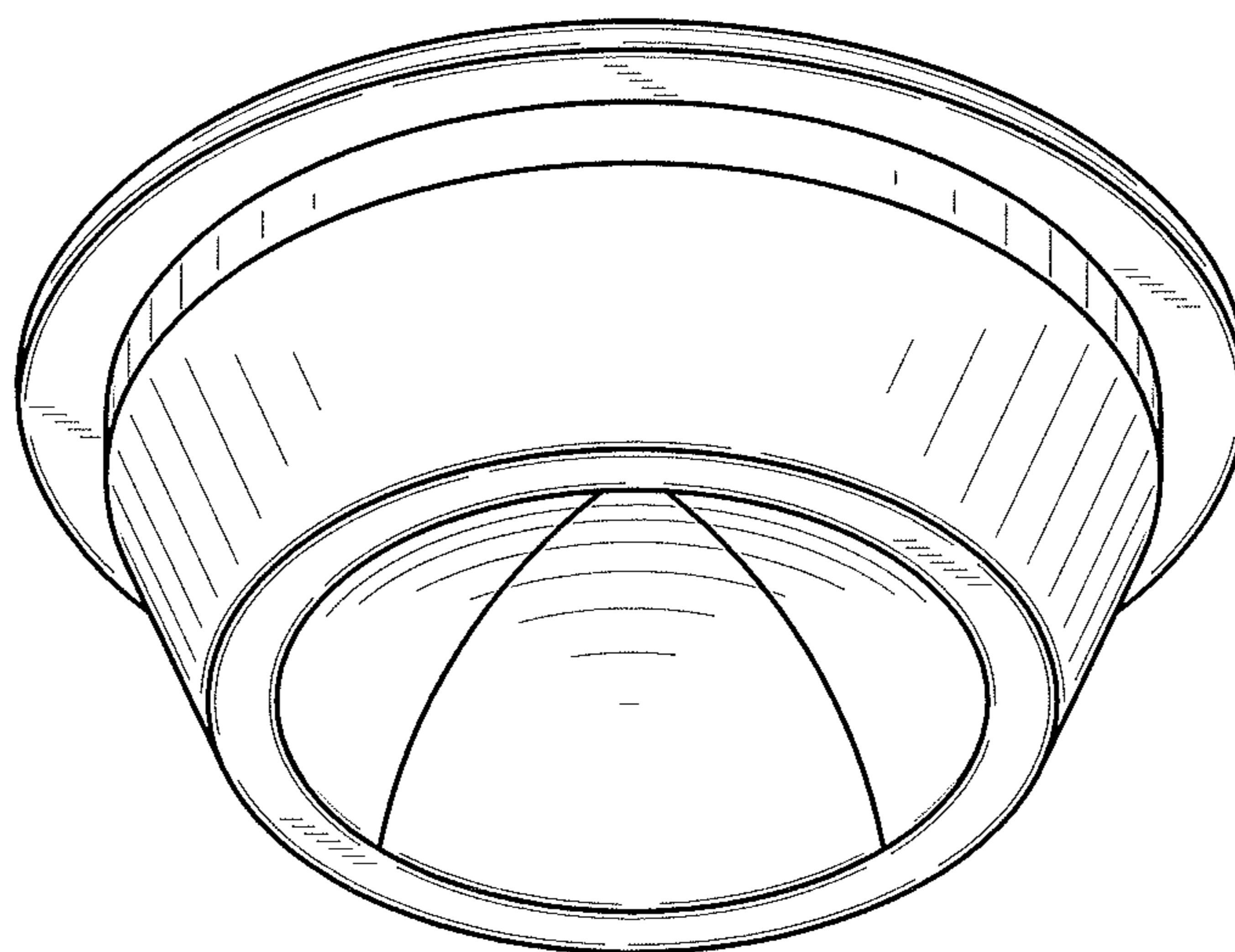


FIG. 2

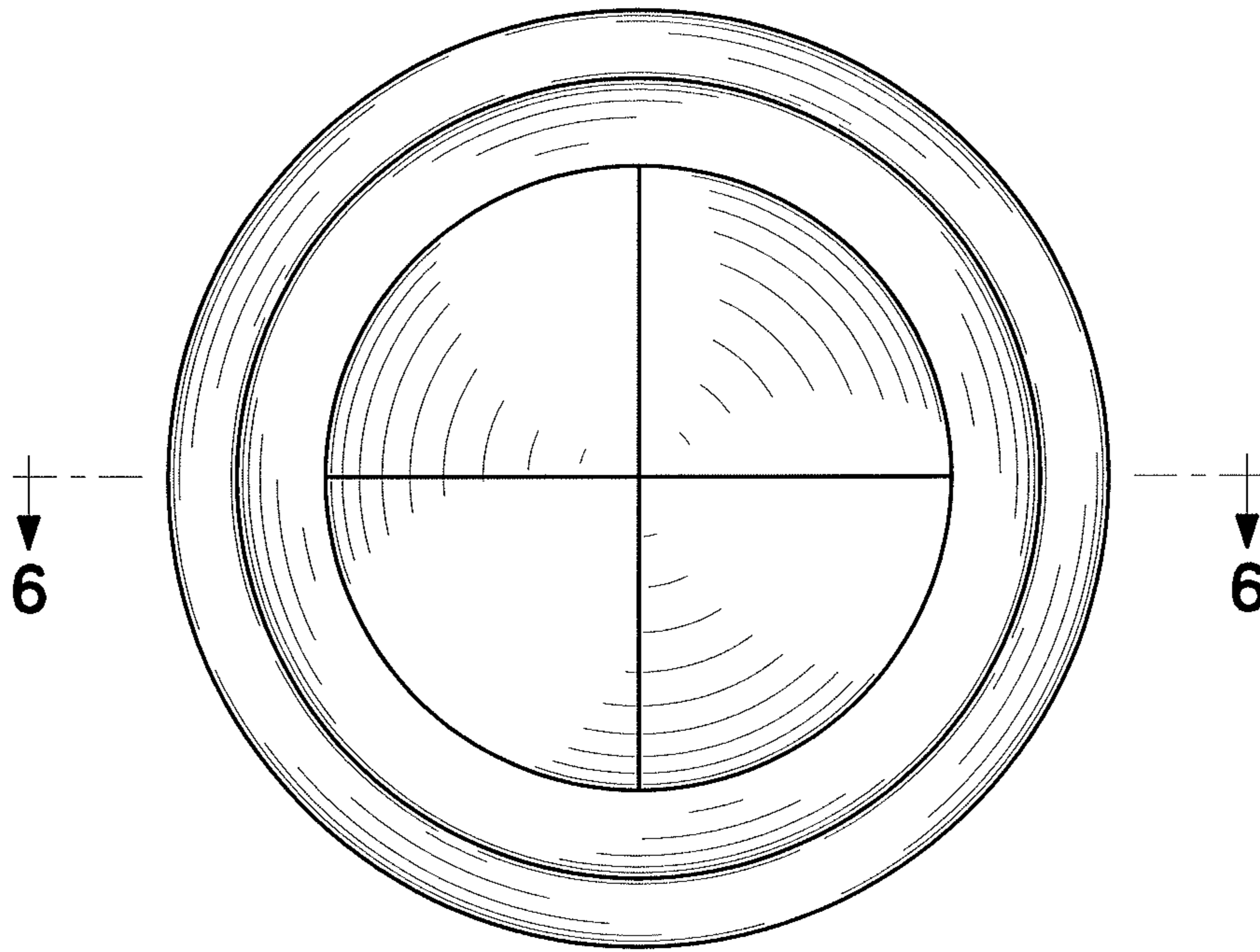


FIG. 3

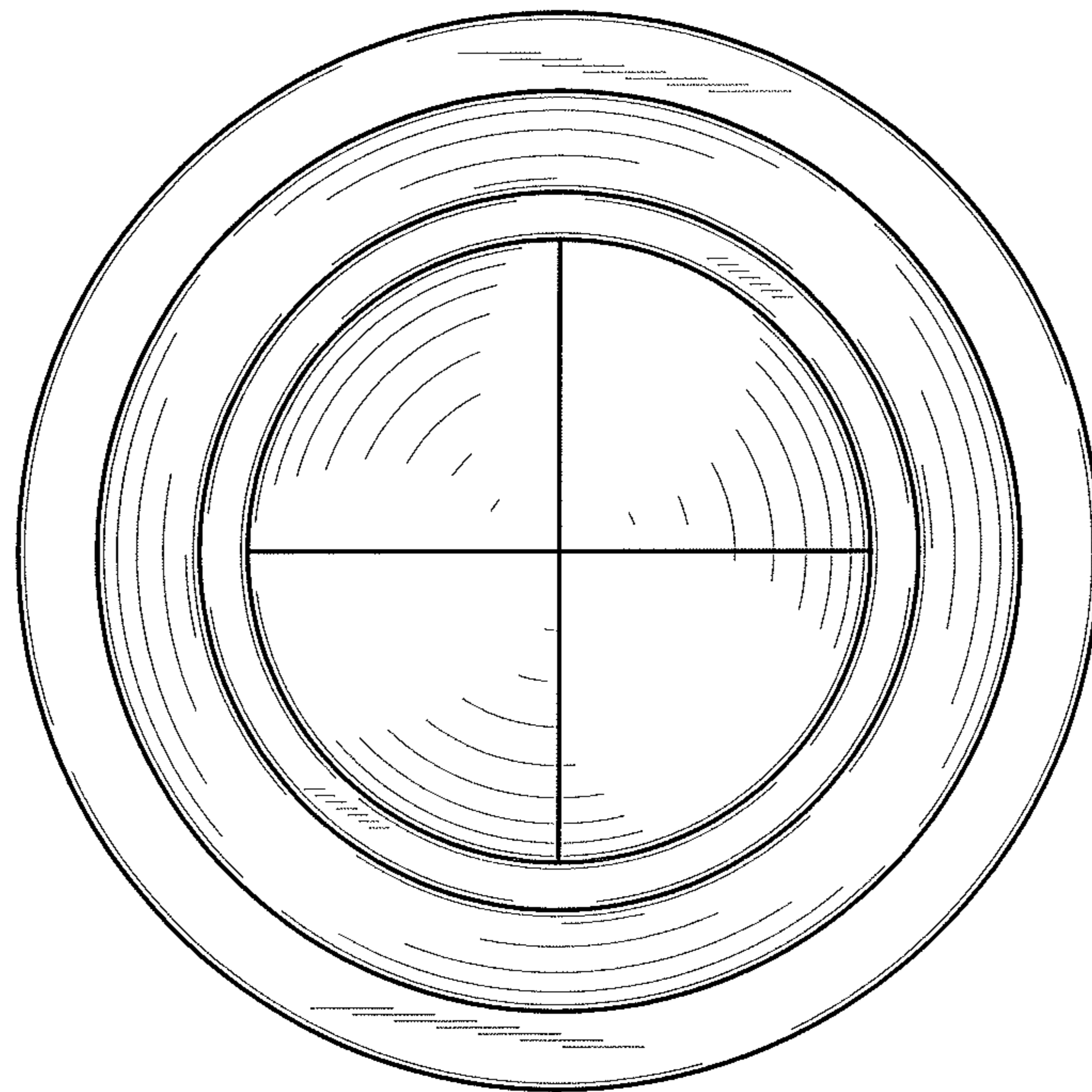


FIG. 4

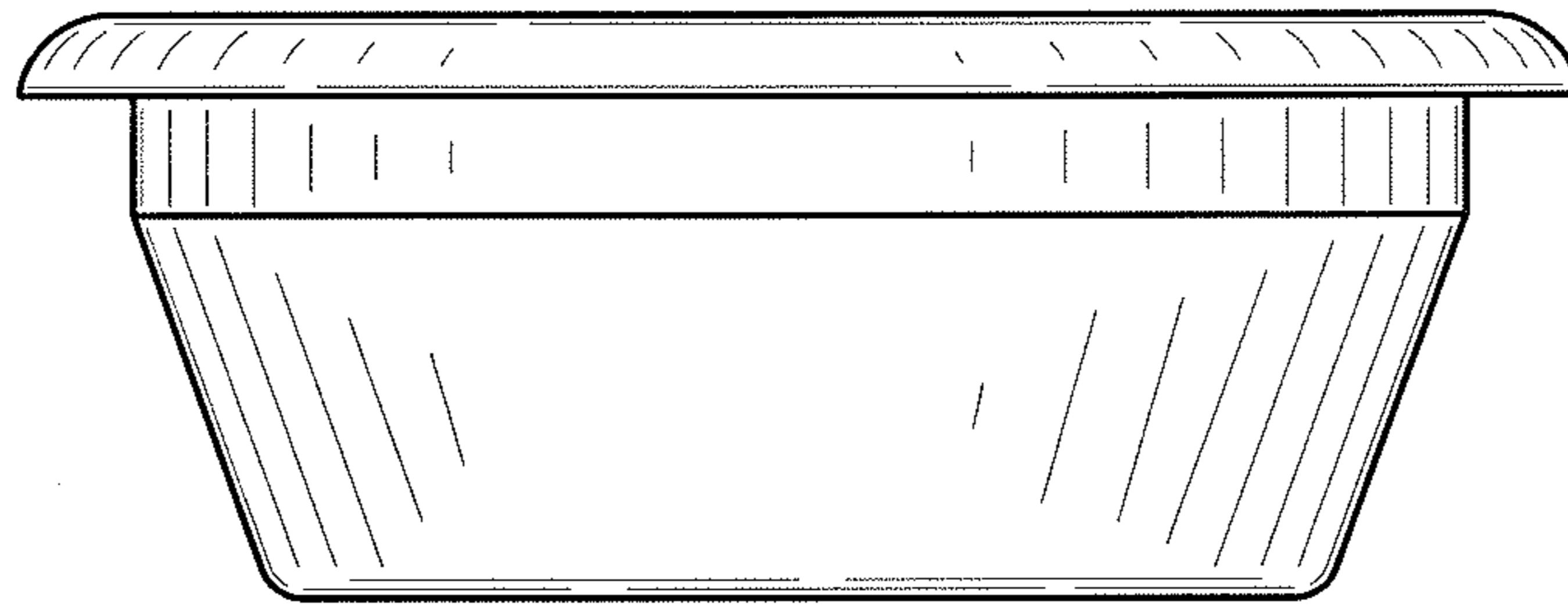


FIG. 5

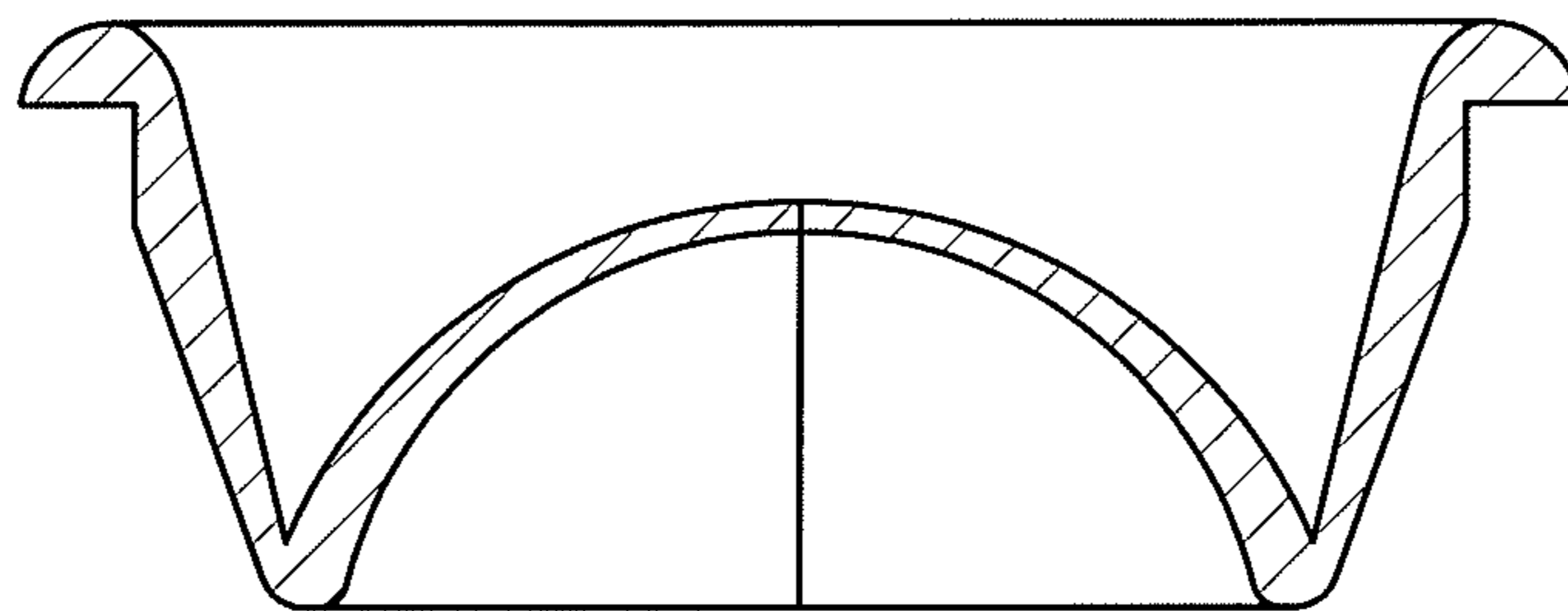


FIG. 6