



US00D702337S

(12) **United States Design Patent**
Wang

(10) **Patent No.:** **US D702,337 S**
(45) **Date of Patent:** **** Apr. 8, 2014**

(54) **CEILING FAN MOTOR HOUSING AND LIGHT KIT**

(75) Inventor: **Cliff Wang**, Taichung (TW)

(73) Assignee: **Air Cool Industrial Co., Ltd.**, Taichung (TW)

(**) Term: **14 Years**

(21) Appl. No.: **29/425,039**

(22) Filed: **Jun. 19, 2012**

(51) **LOC (10) Cl.** **23-04**

(52) **U.S. Cl.**
USPC **D23/385**

(58) **Field of Classification Search**
USPC D23/385, 379, 377; D26/59, 377;
416/5; 392/364, 361, 362; 362/96, 294;
417/423.14

See application file for complete search history.

(56) **References Cited**

U.S. PATENT DOCUMENTS

4,862,581	A	*	9/1989	Royer	29/596
D389,908	S	*	1/1998	Dolan	D23/411
D394,103	S	*	5/1998	Lee	D23/411
D413,378	S	*	8/1999	Zuege	D23/377
D414,856	S	*	10/1999	Zuege	D23/377
D414,857	S	*	10/1999	Zuege	D23/377
D419,660	S	*	1/2000	Zuege	D23/377

D523,952	S	*	6/2006	Ertze	D23/411
D525,696	S	*	7/2006	Ertze	D23/377
D525,697	S	*	7/2006	Ertze	D23/377
D525,698	S	*	7/2006	Wang	D23/377
D527,451	S	*	8/2006	Glasbrenner	D23/377
D547,483	S	*	7/2007	Pickett	D26/89
D556,930	S	*	12/2007	Ertze	D26/59
D567,421	S	*	4/2008	Pan	D26/59
D626,263	S	*	10/2010	Shurtleff	D26/59
D632,412	S	*	2/2011	Pan	D26/59
D678,499	S	*	3/2013	Pan	D23/411
2005/0214145	A1	*	9/2005	Grinbergs	417/423.14

* cited by examiner

Primary Examiner — Eric Goodman

Assistant Examiner — Ryan Harvey

(74) *Attorney, Agent, or Firm* — Ming Chow; Sinorica, LLC

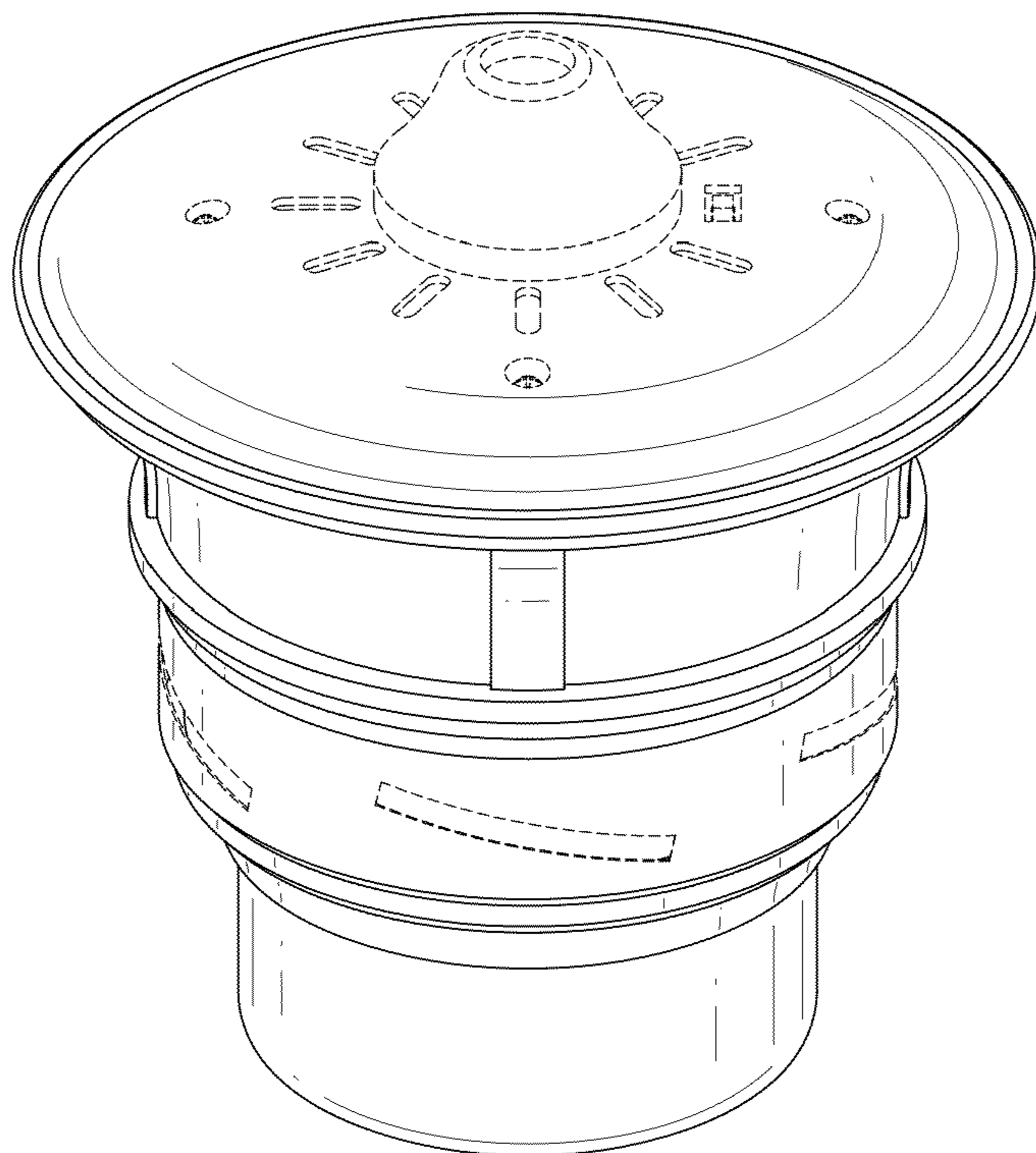
(57) **CLAIM**

I claim the ornamental design for a ceiling fan motor housing and light kit, as shown and described.

DESCRIPTION

FIG. 1 is a front perspective view of a ceiling fan motor housing and light kit showing my new design; FIG. 2 is a front elevational view thereof; FIG. 3 is a rear elevational view thereof; FIG. 4 is a left side elevational view thereof; FIG. 5 is a right side elevational view thereof; FIG. 6 is a top plan view thereof; and, FIG. 7 is a bottom plan view thereof.

1 Claim, 4 Drawing Sheets



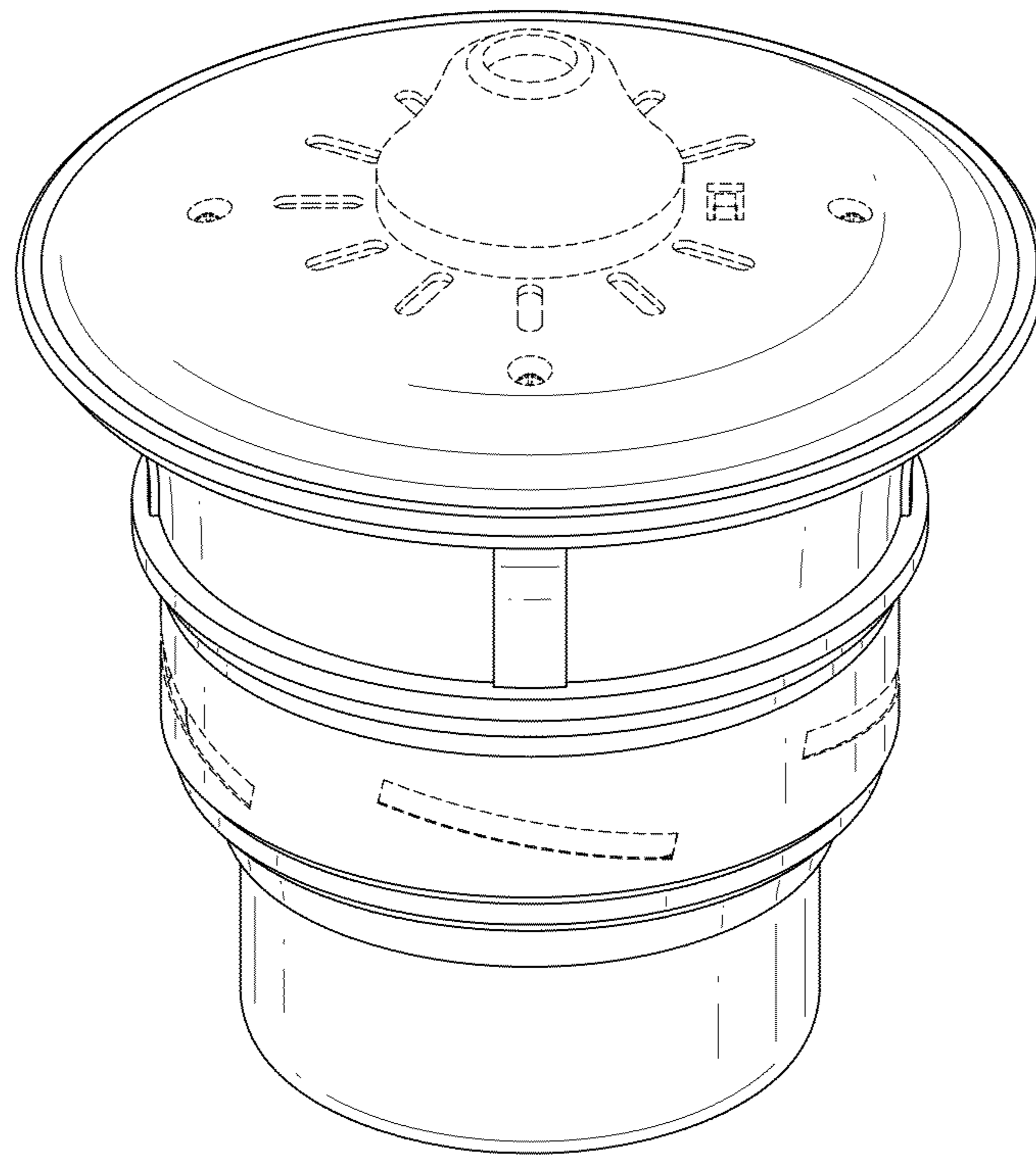


FIG. 1

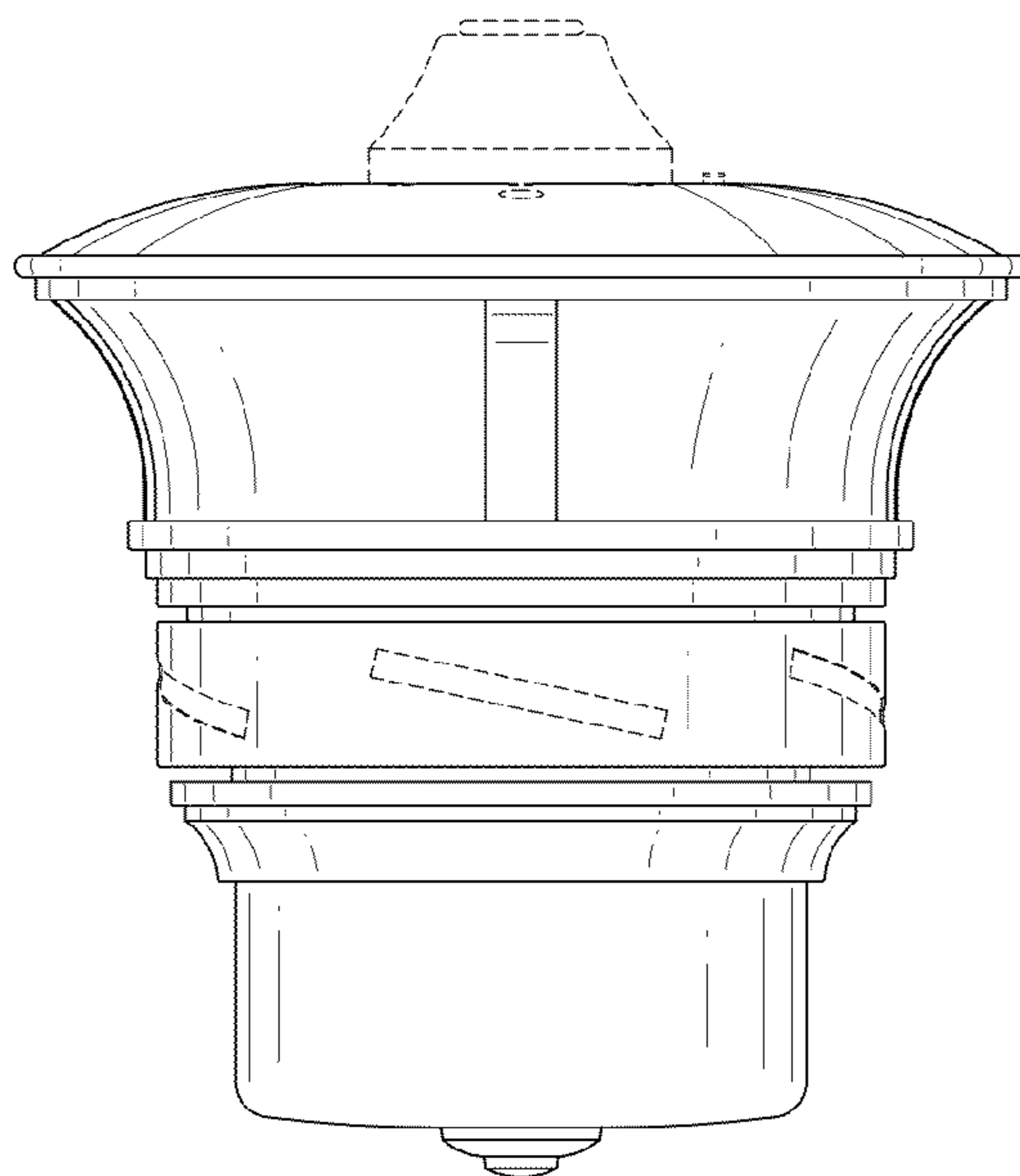


FIG. 2

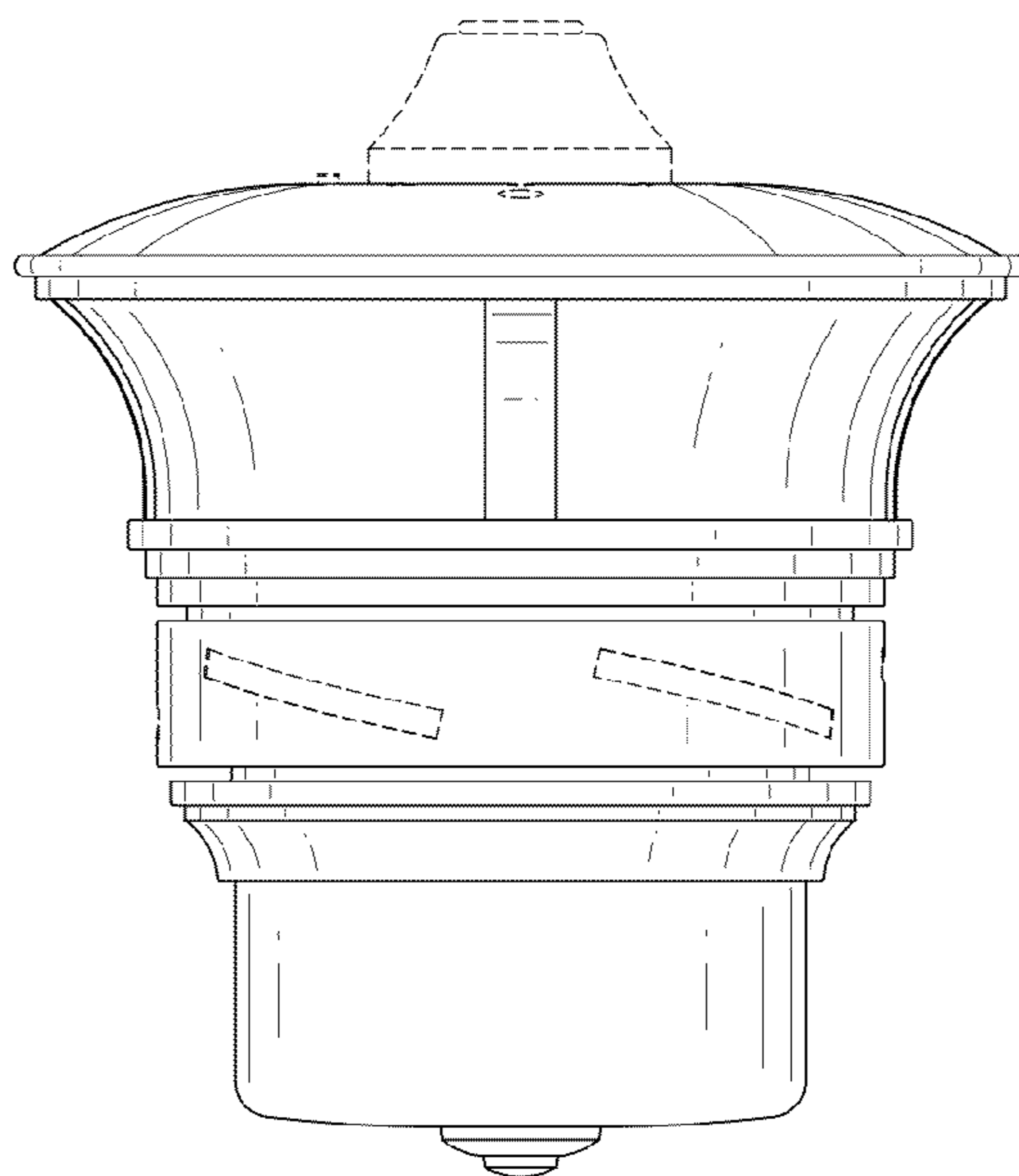


FIG. 3

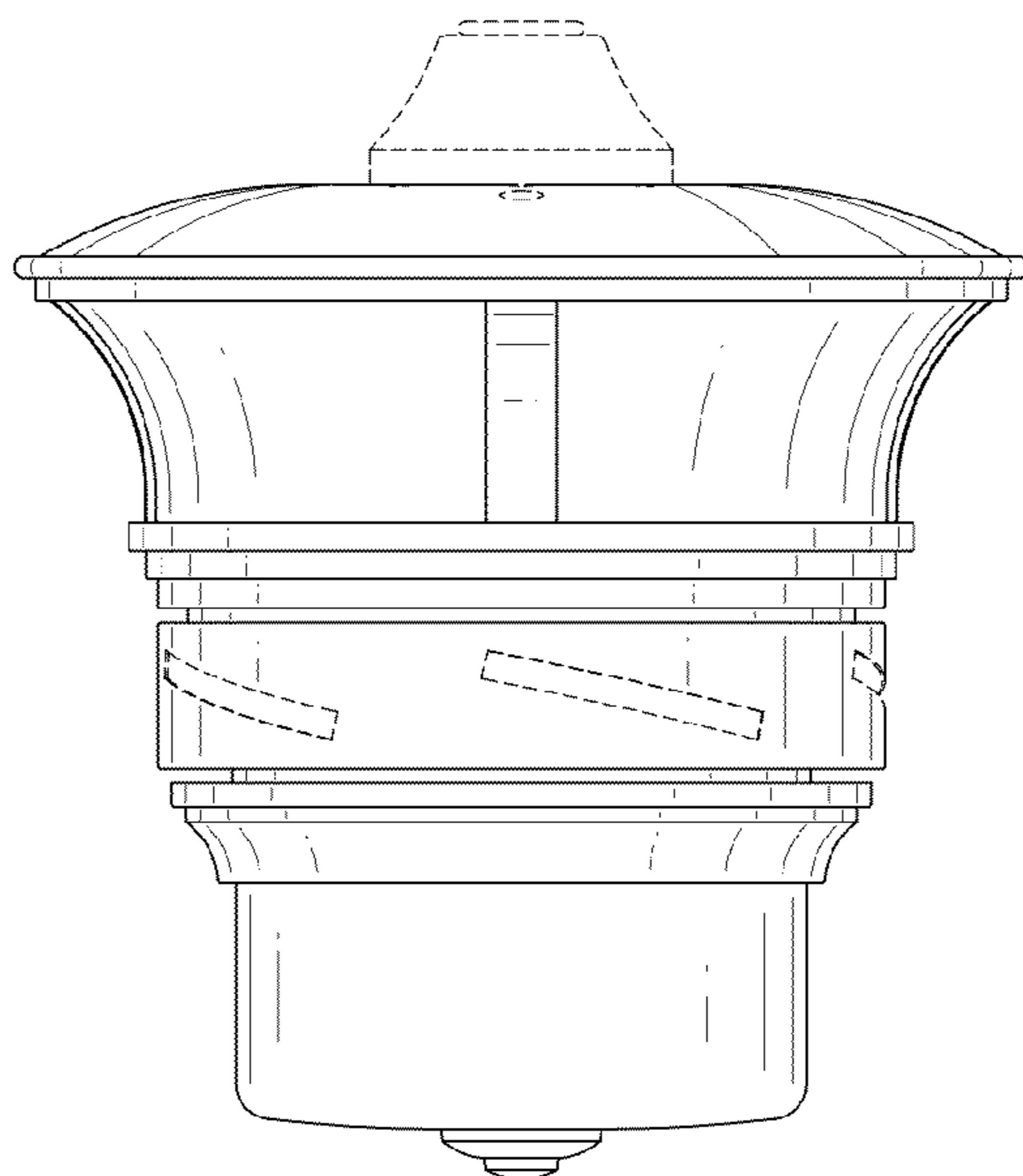


FIG. 4

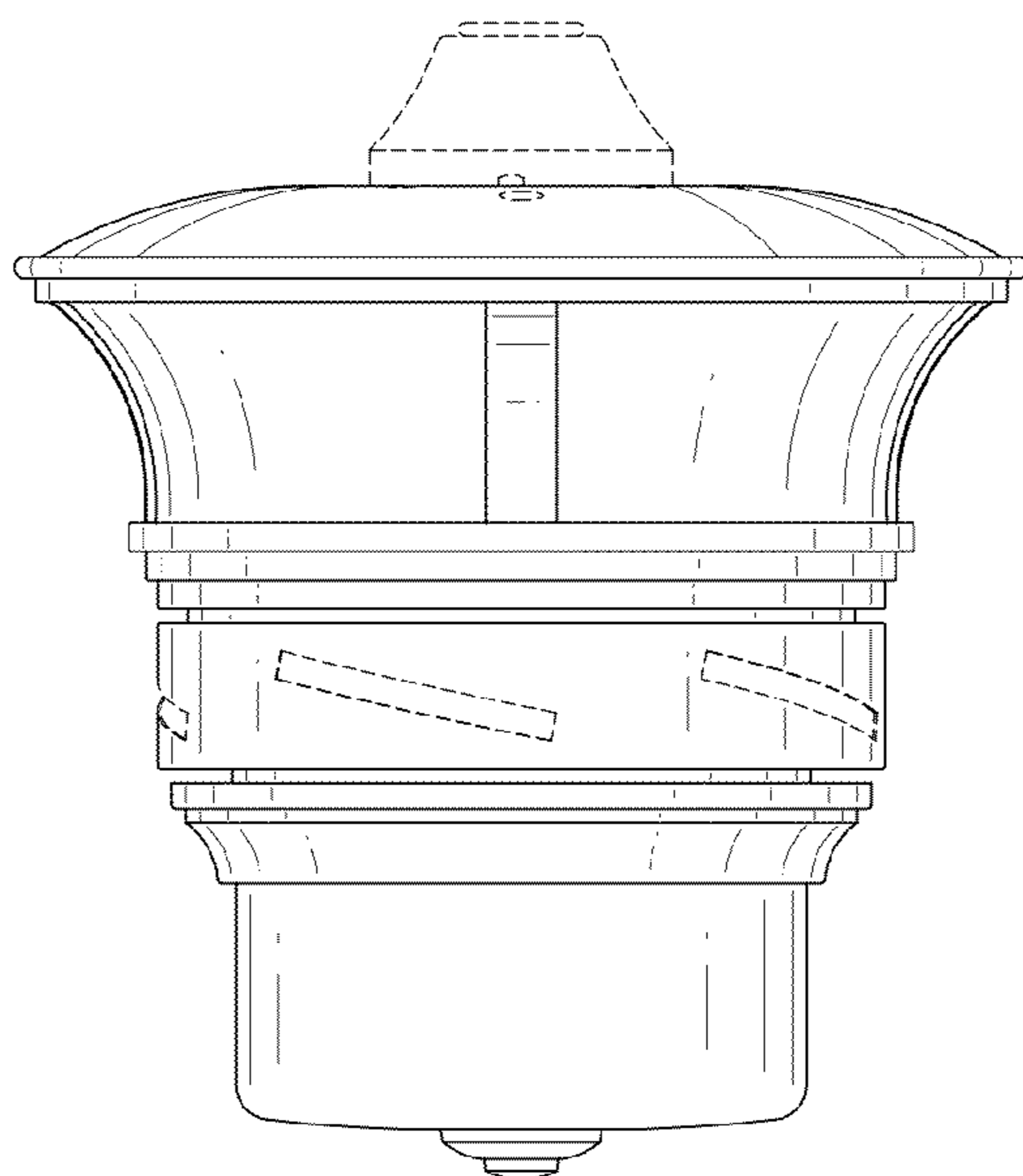


FIG. 5

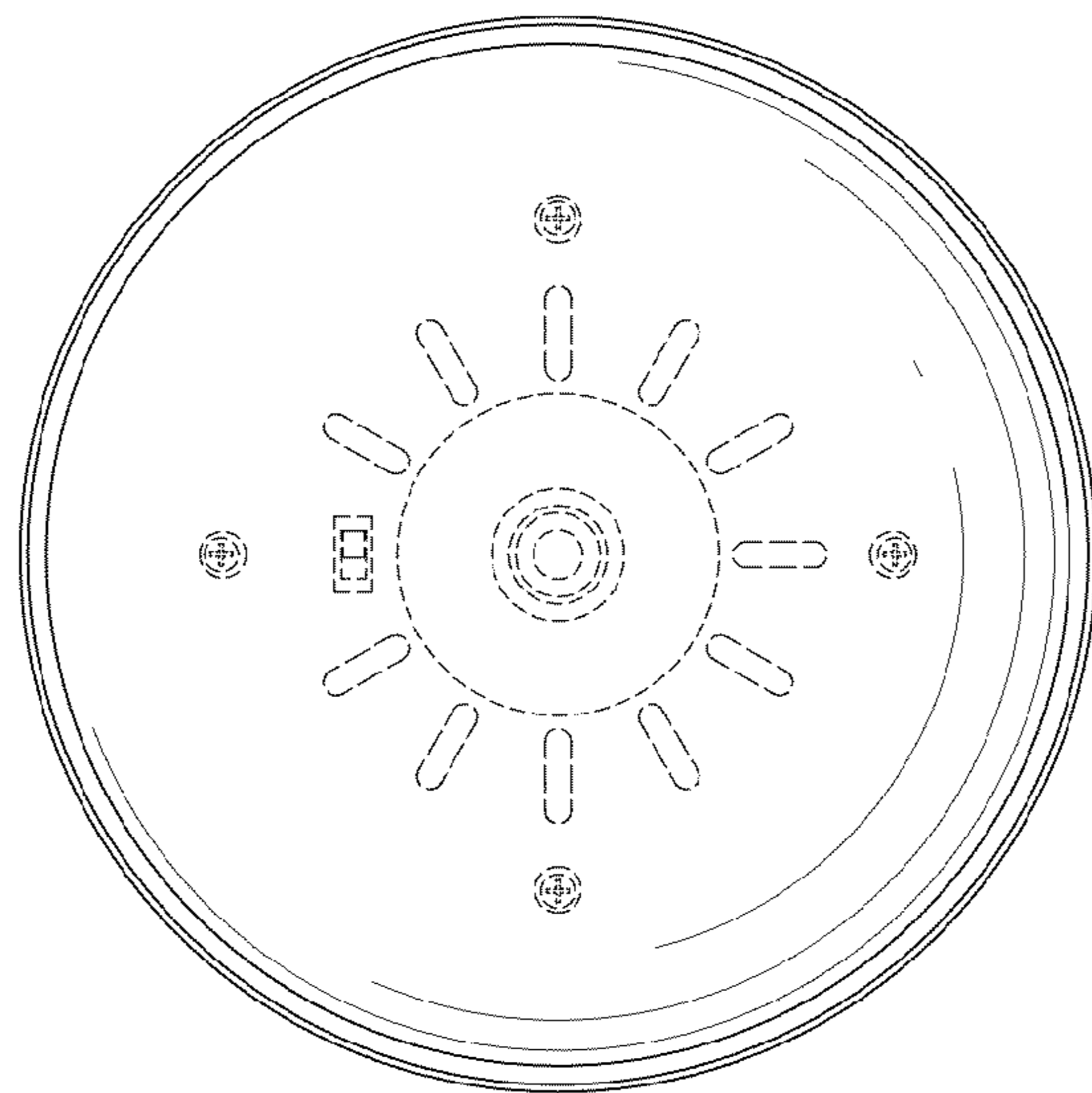


FIG. 6

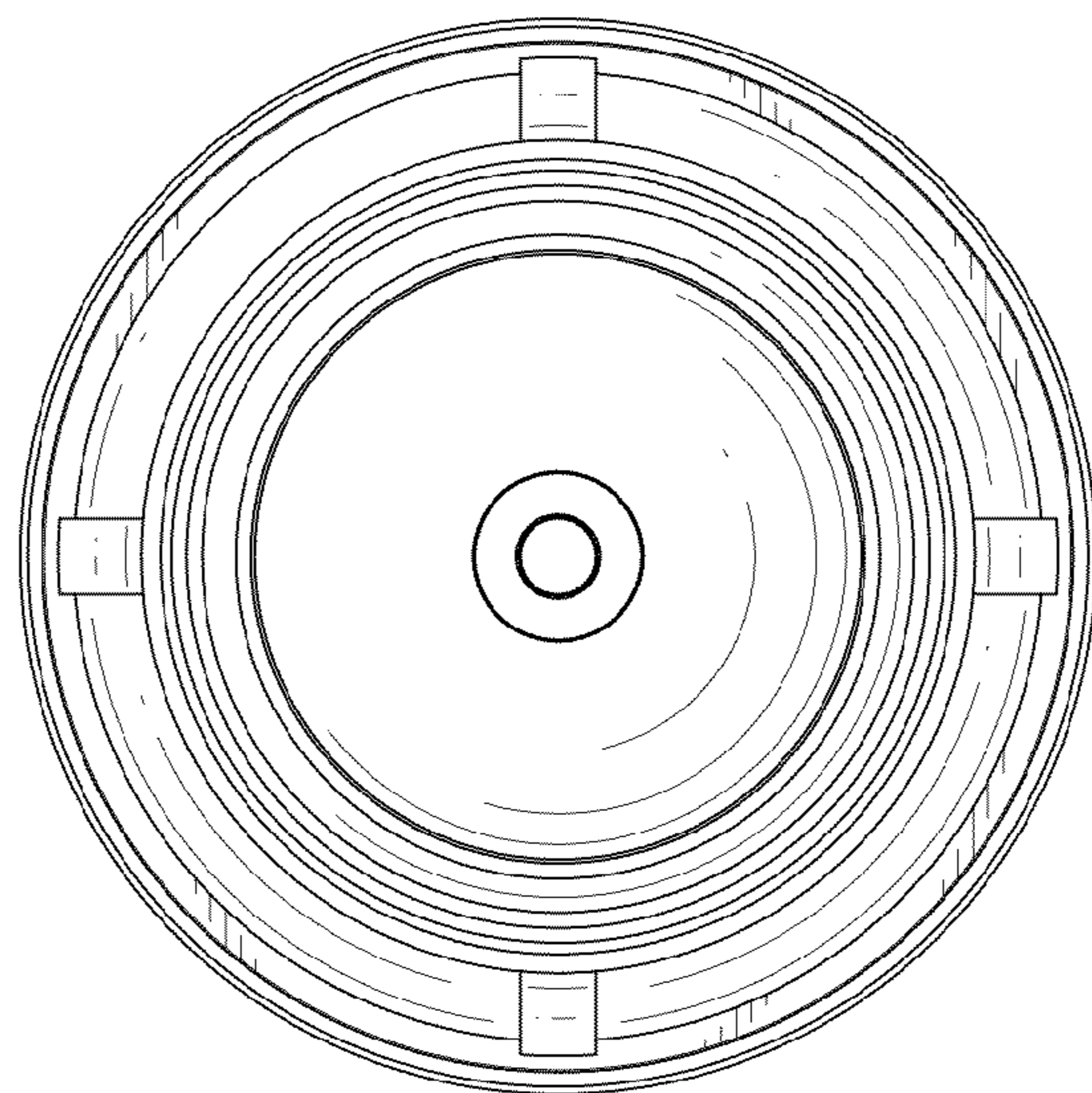


FIG. 7