



US00D702331S

(12) **United States Design Patent**
Garland et al.

(10) **Patent No.:** **US D702,331 S**

(45) **Date of Patent:** **** Apr. 8, 2014**

(54) **TOILET BOWL**

(71) Applicant: **Masco Corporation of Indiana,**
Indianapolis, IN (US)

(72) Inventors: **Celine Kwok Garland,** Indianapolis, IN
(US); **Anthony Spangler,** Indianapolis,
IN (US)

(73) Assignee: **Masco Corporation of Indiana,**
Indianapolis, IN (US)

(**) Term: **14 Years**

(21) Appl. No.: **29/457,406**

(22) Filed: **Jun. 10, 2013**

(51) **LOC (10) Cl.** **23-02**

(52) **U.S. Cl.**
USPC **D23/295**

(58) **Field of Classification Search**
USPC D23/295, 301, 303, 309, 313; 4/300,
4/420

See application file for complete search history.

(56) **References Cited**

U.S. PATENT DOCUMENTS

D406,325 S * 3/1999 Nagato D23/301
D690,402 S * 9/2013 Bates et al. D23/301

* cited by examiner

Primary Examiner — Robert Delehanty
(74) *Attorney, Agent, or Firm* — Edgar A. Zarins; Nirav D. Parikh

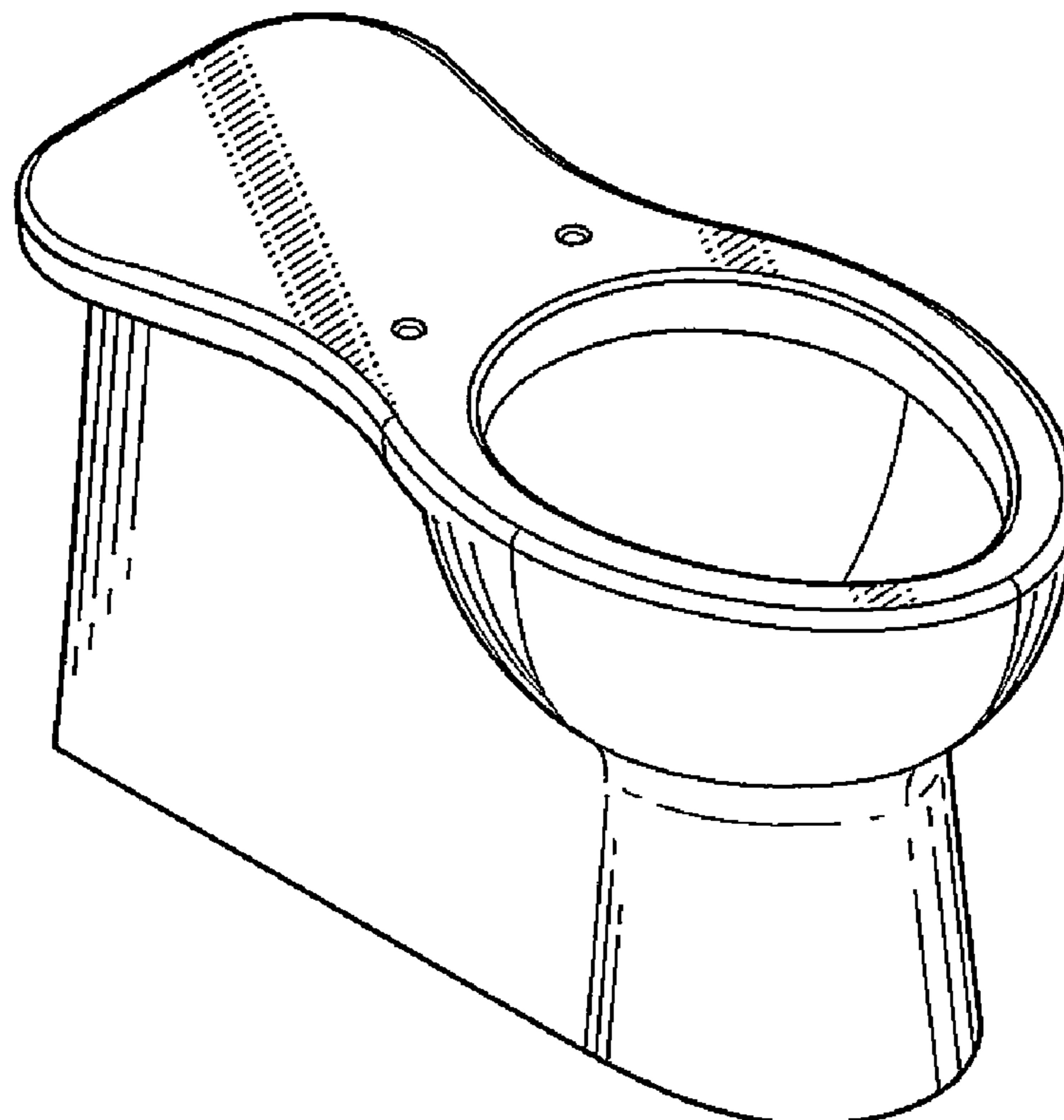
(57) **CLAIM**

The ornamental design for a toilet bowl, as shown and described.

DESCRIPTION

FIG. 1 is a perspective view of a toilet bowl showing our new design;
FIG. 2 is a top plan view thereof;
FIG. 3 is a bottom view thereof;
FIG. 4 is a left side view thereof;
FIG. 5 is a right side view thereof;
FIG. 6 is a front elevational view thereof; and,
FIG. 7 is a rear view thereof.
The broken lines shown in the drawings are included for the purpose of illustrating a portion of the toilet that forms no part of the claimed design.

1 Claim, 2 Drawing Sheets



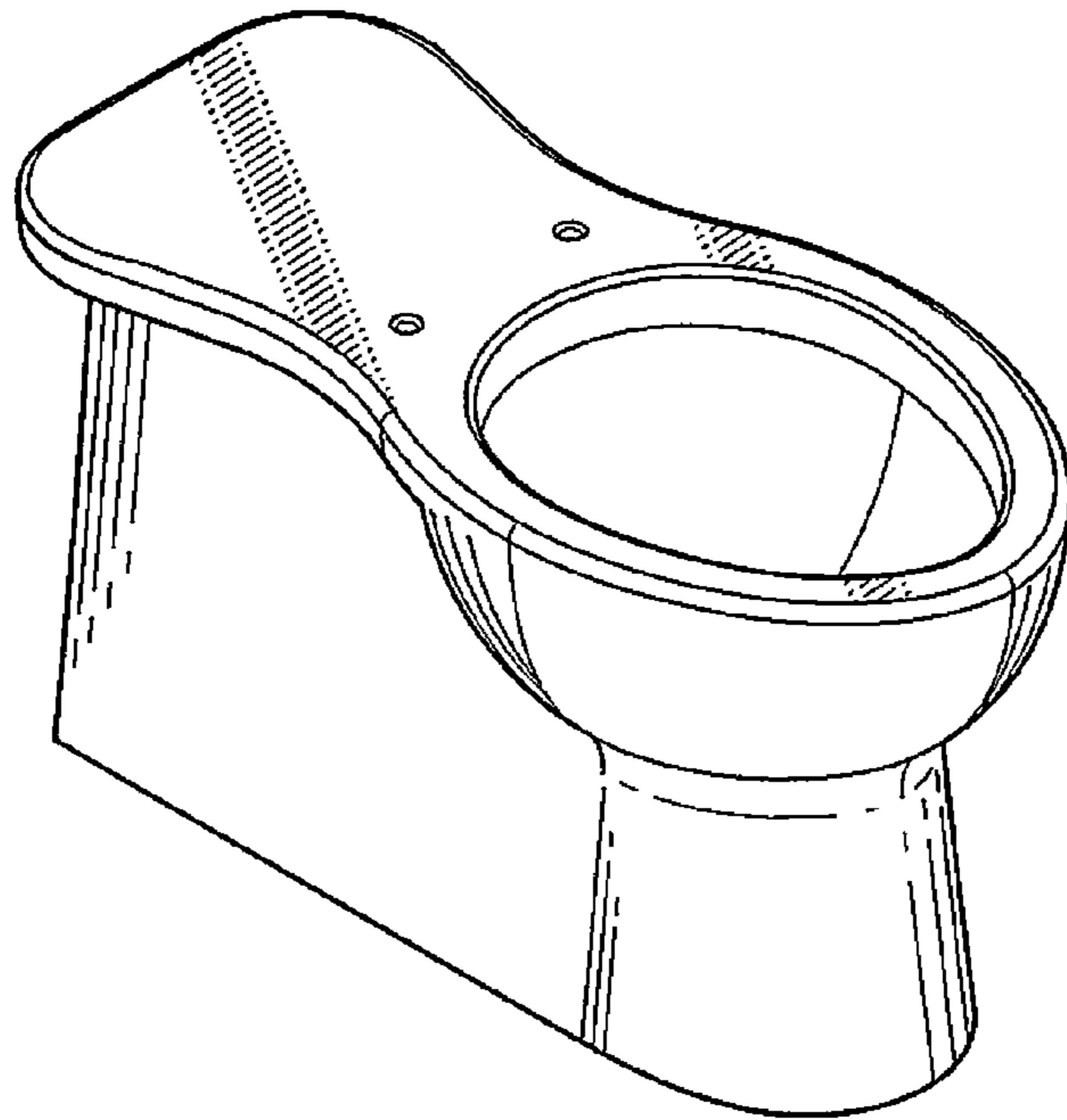


Fig-1

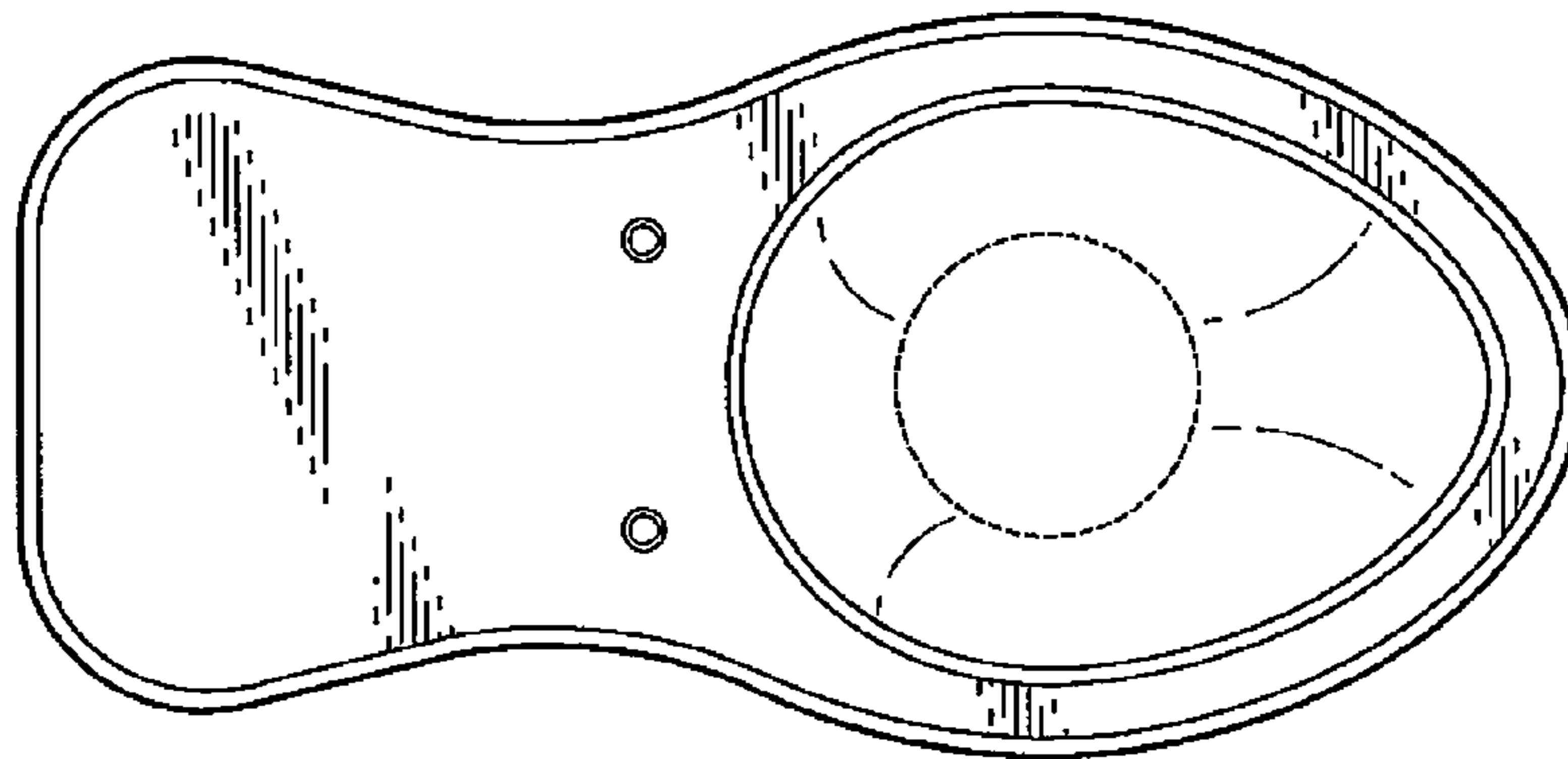


Fig-2

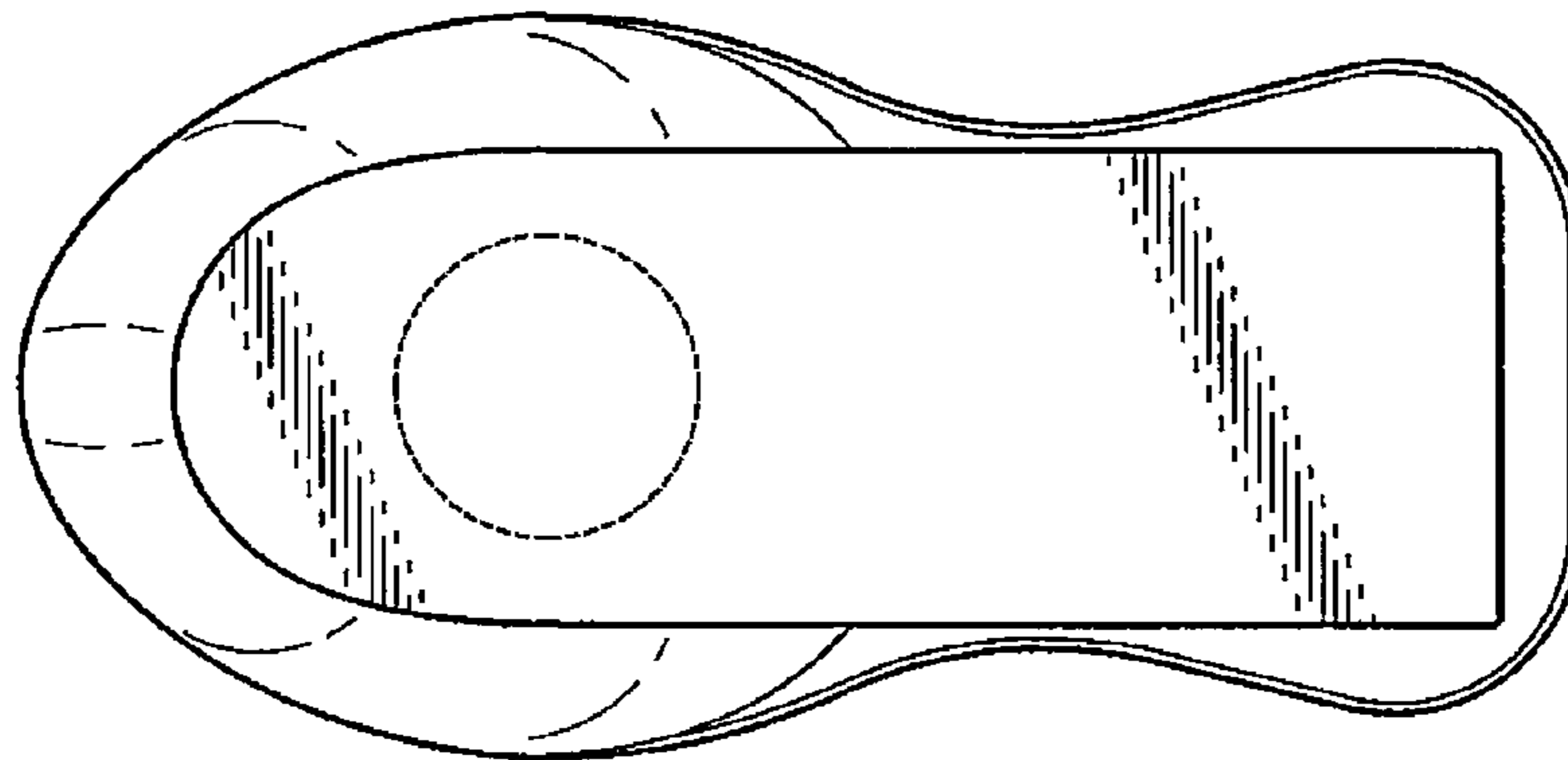


Fig-3

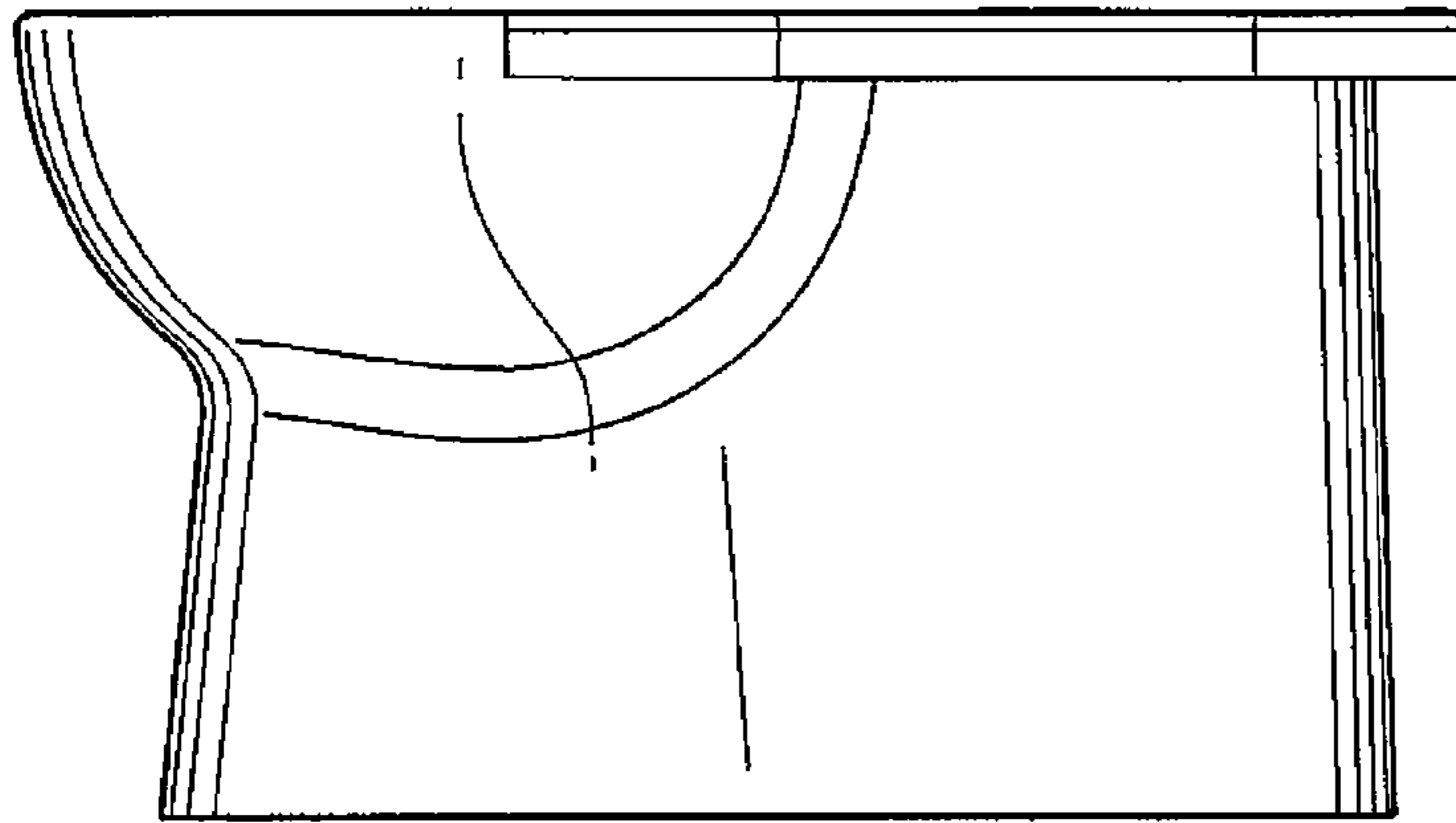


Fig-4

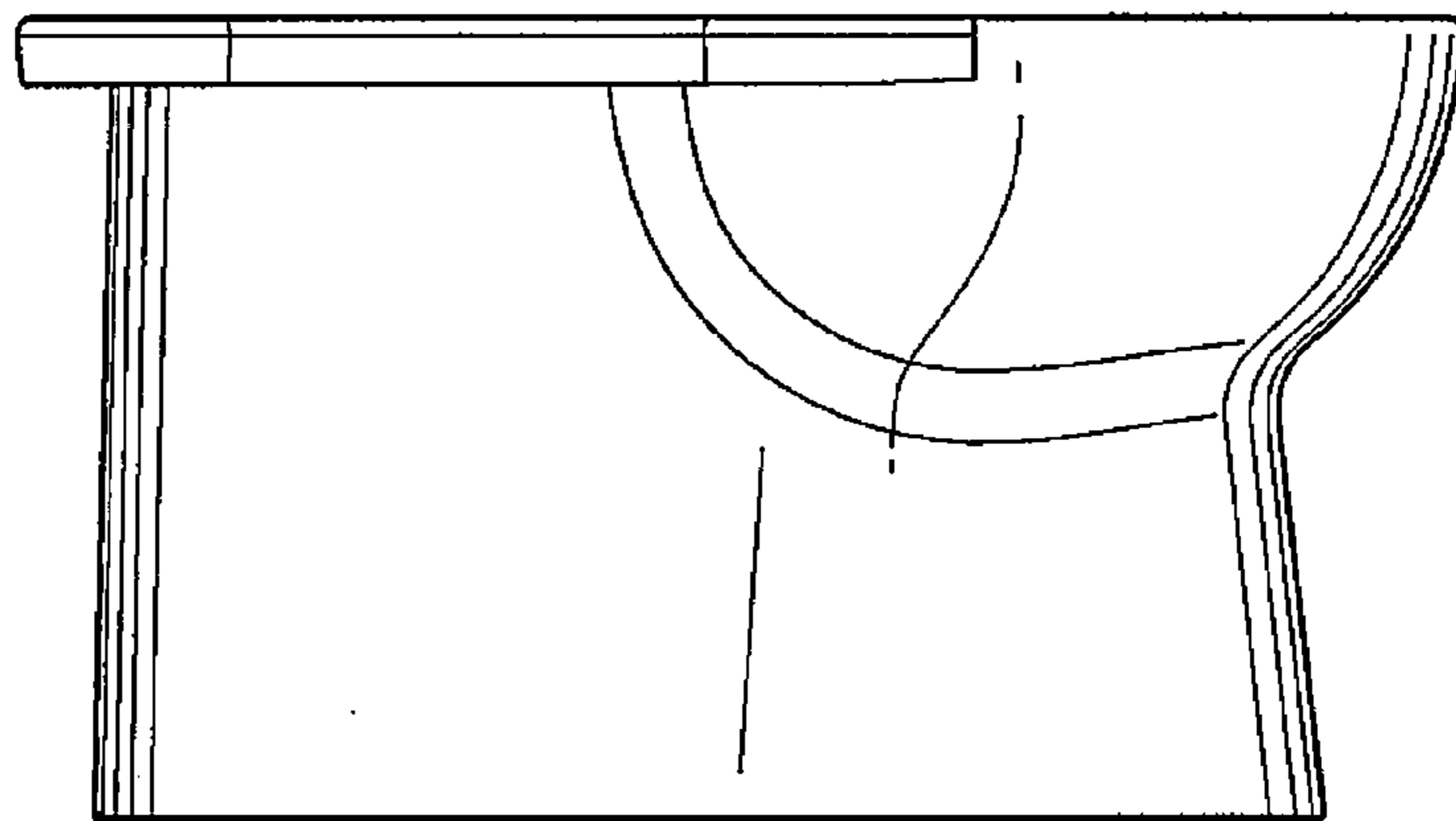


Fig-5

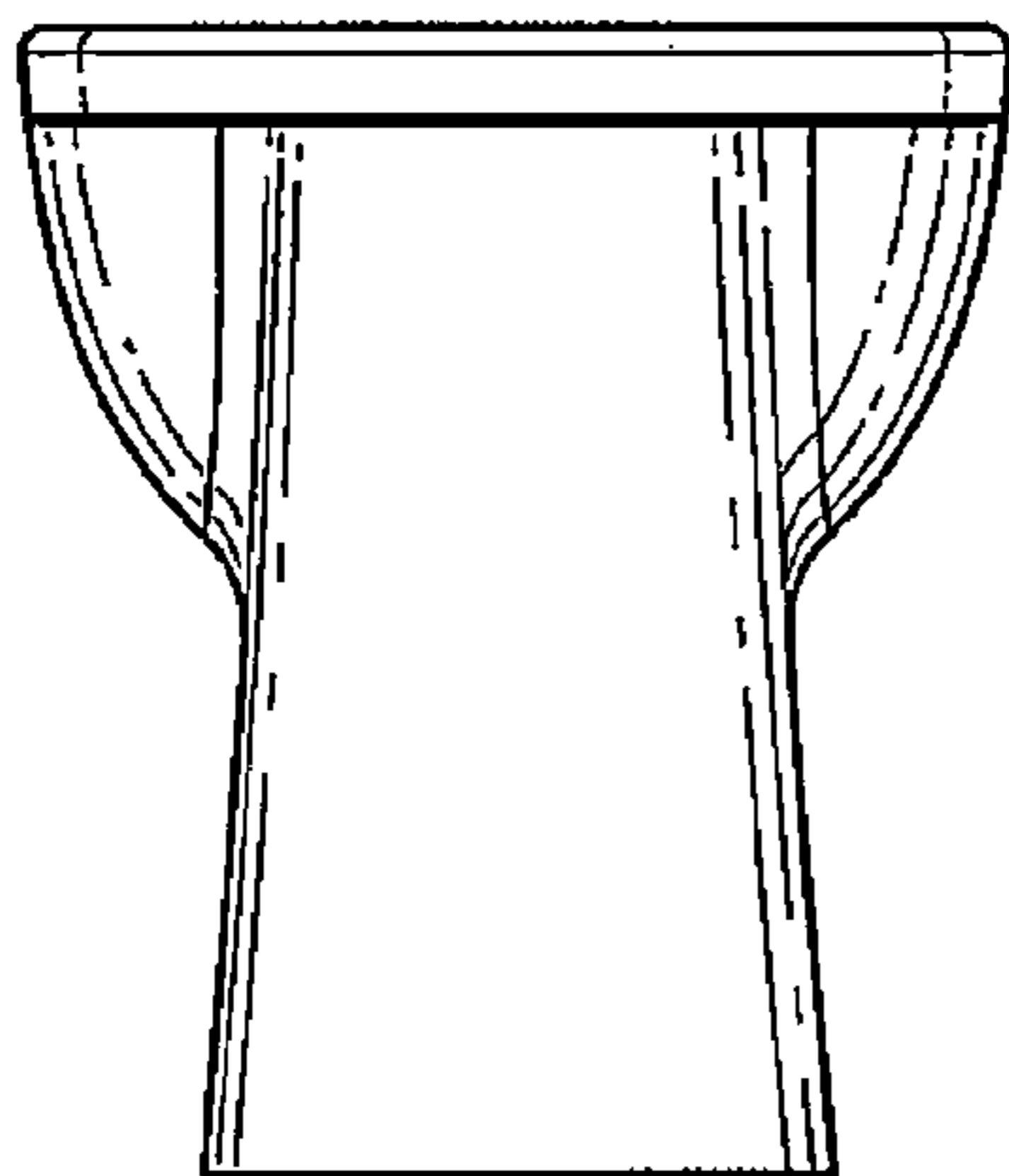


Fig-6

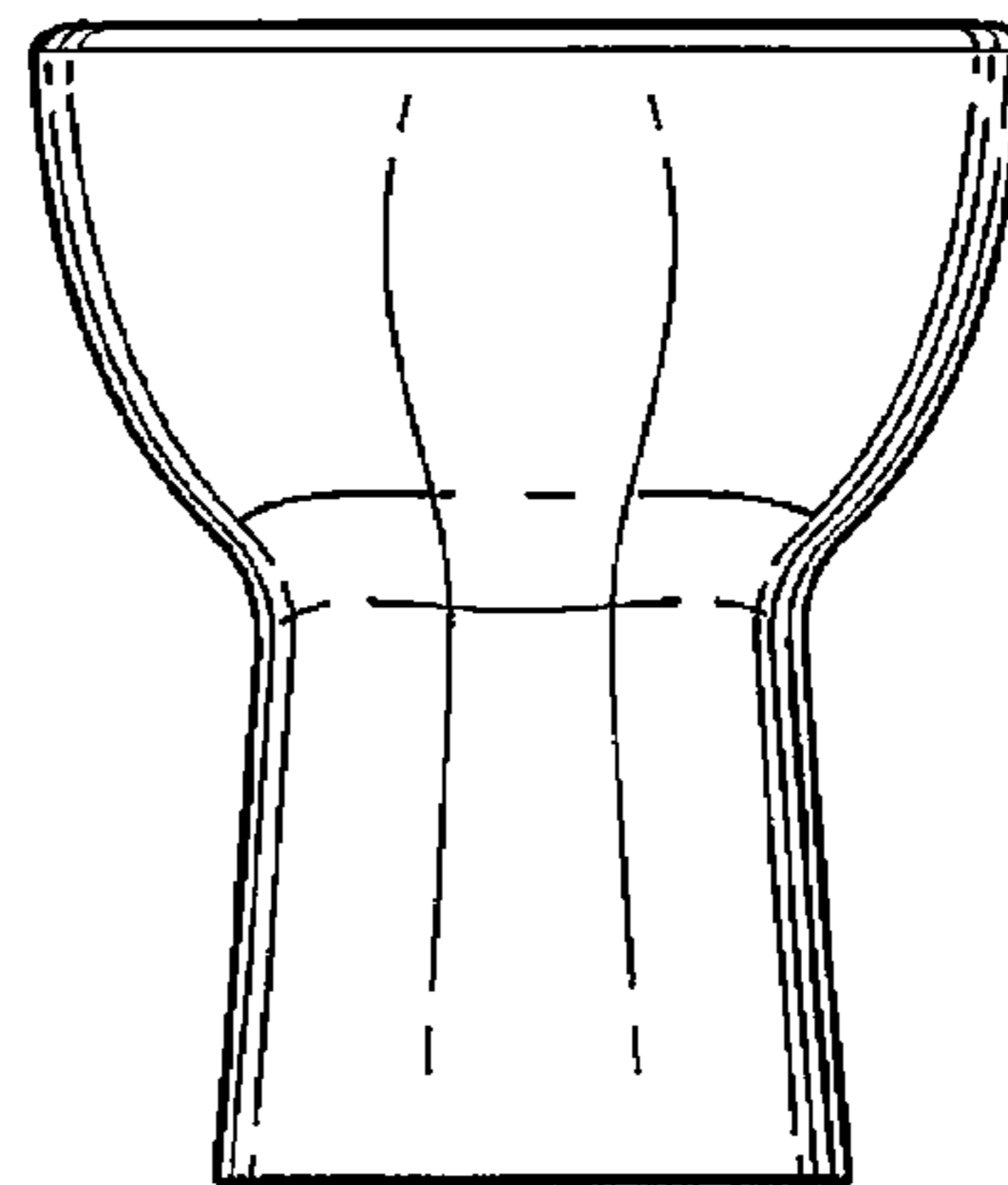


Fig-7