



US00D702325S

(12) **United States Design Patent**
Dannrup

(10) **Patent No.:** **US D702,325 S**

(45) **Date of Patent:** **** Apr. 8, 2014**

(54) **FILTER MODULE FOR STREET INLET AND PARTS THEREOF**

2004/0255378	A1 *	12/2004	Tracy	4/689
2010/0000011	A1 *	1/2010	Angarita	4/287
2010/0050335	A1 *	3/2010	Baker	4/504
2010/0071122	A1 *	3/2010	Li	4/287
2013/0191982	A1 *	8/2013	Booker, Jr.	4/290

(71) Applicant: **Niels Dannrup**, Helsingborg (SE)

(72) Inventor: **Niels Dannrup**, Helsingborg (SE)

(73) Assignee: **Sweden Water Purification AB**,
Jonkoping (SE)

FOREIGN PATENT DOCUMENTS

EP 12153111.5 1/2012

(**) Term: **14 Years**

(21) Appl. No.: **29/447,036**

(22) Filed: **Feb. 28, 2013**

(51) **LOC (10) Cl.** **23-01**

(52) **U.S. Cl.**
USPC **D23/261**

(58) **Field of Classification Search**
USPC D23/260, 261, 263, 266; 4/286–294,
4/309, 178
See application file for complete search history.

OTHER PUBLICATIONS

U.S. Appl. No. 29/447,053, filed Feb. 28, 2013, Niels Dannrup.
U.S. Appl. No. 29/447,045, filed Feb. 28, 2013, Niels Dannrup.
U.S. Appl. No. 29/447,049, filed Feb. 28, 2013, Niels Dannrup.

* cited by examiner

Primary Examiner — Eric Goodman

(74) *Attorney, Agent, or Firm* — Wolf, Greenfield & Sacks,
P.C.; Randy J. Pritzker

(57) **CLAIM**

The ornamental design for filter module for street inlet and parts thereof, as shown and described.

(56) **References Cited**

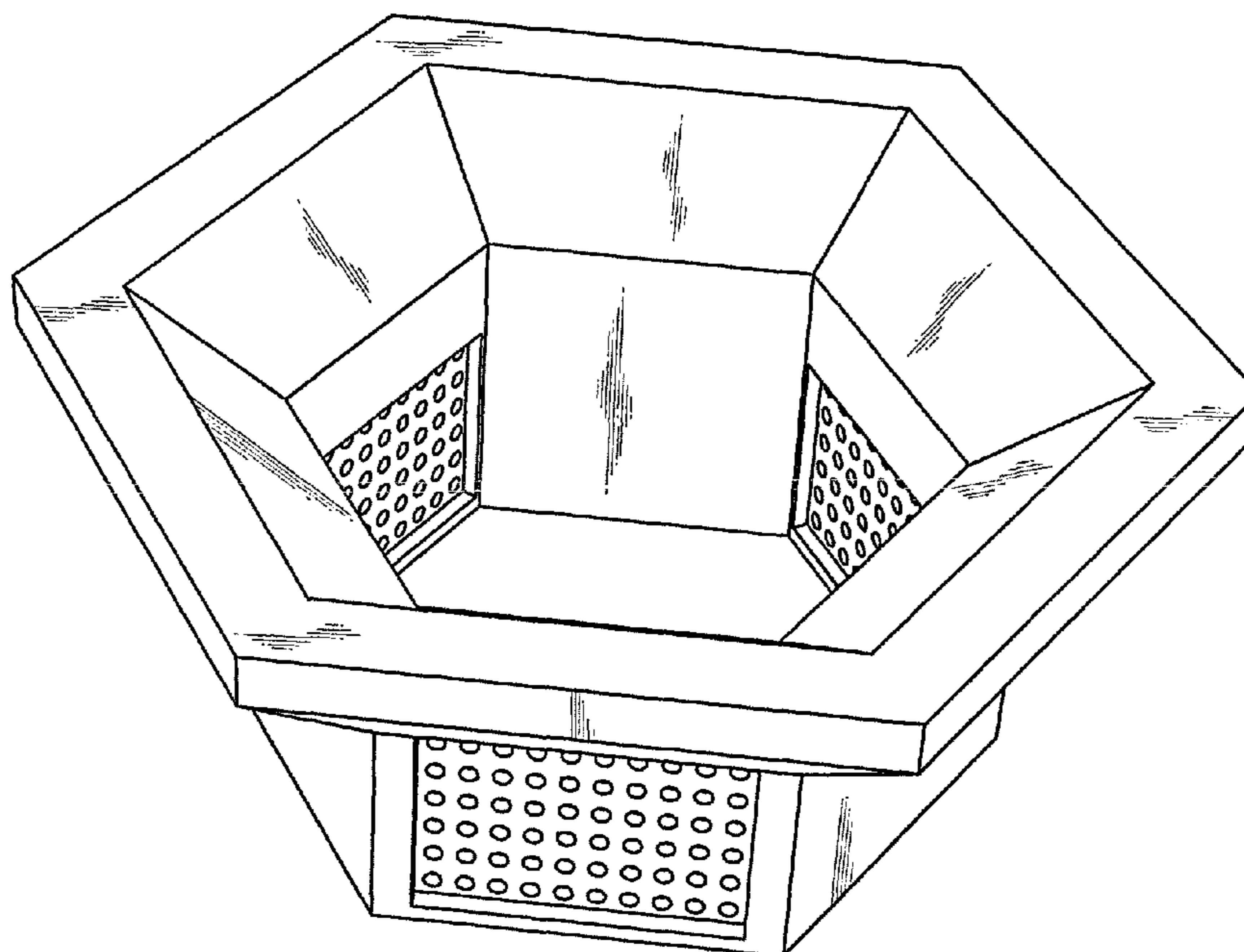
U.S. PATENT DOCUMENTS

1,115,016	A *	10/1914	Phells	220/484
1,593,087	A *	7/1926	Logan	4/291
2,285,833	A *	6/1942	Platt	210/238
2,505,305	A *	4/1950	Schaefer	4/289
5,397,464	A *	3/1995	Hannon	210/163
D446,844	S *	8/2001	Claussen et al.	D23/261
6,588,029	B2 *	7/2003	Mullings	4/507
D523,537	S *	6/2006	Howard	D23/261
D598,196	S *	8/2009	Vreeland	D3/304
D600,324	S *	9/2009	Vreeland	D23/261
8,505,125	B1 *	8/2013	Chia et al.	4/289

DESCRIPTION

FIG. 1 is a perspective view of the filter module for street inlet and parts thereof;
FIG. 2 is a an opposite perspective view thereof; and
FIG. 3 is a first side view thereof; and
FIG. 4 is a second side view thereof; and
FIG. 5 is a third side view thereof; and
FIG. 6 is a first end view thereof; and,
FIG. 7 is a second end view thereof.

1 Claim, 5 Drawing Sheets



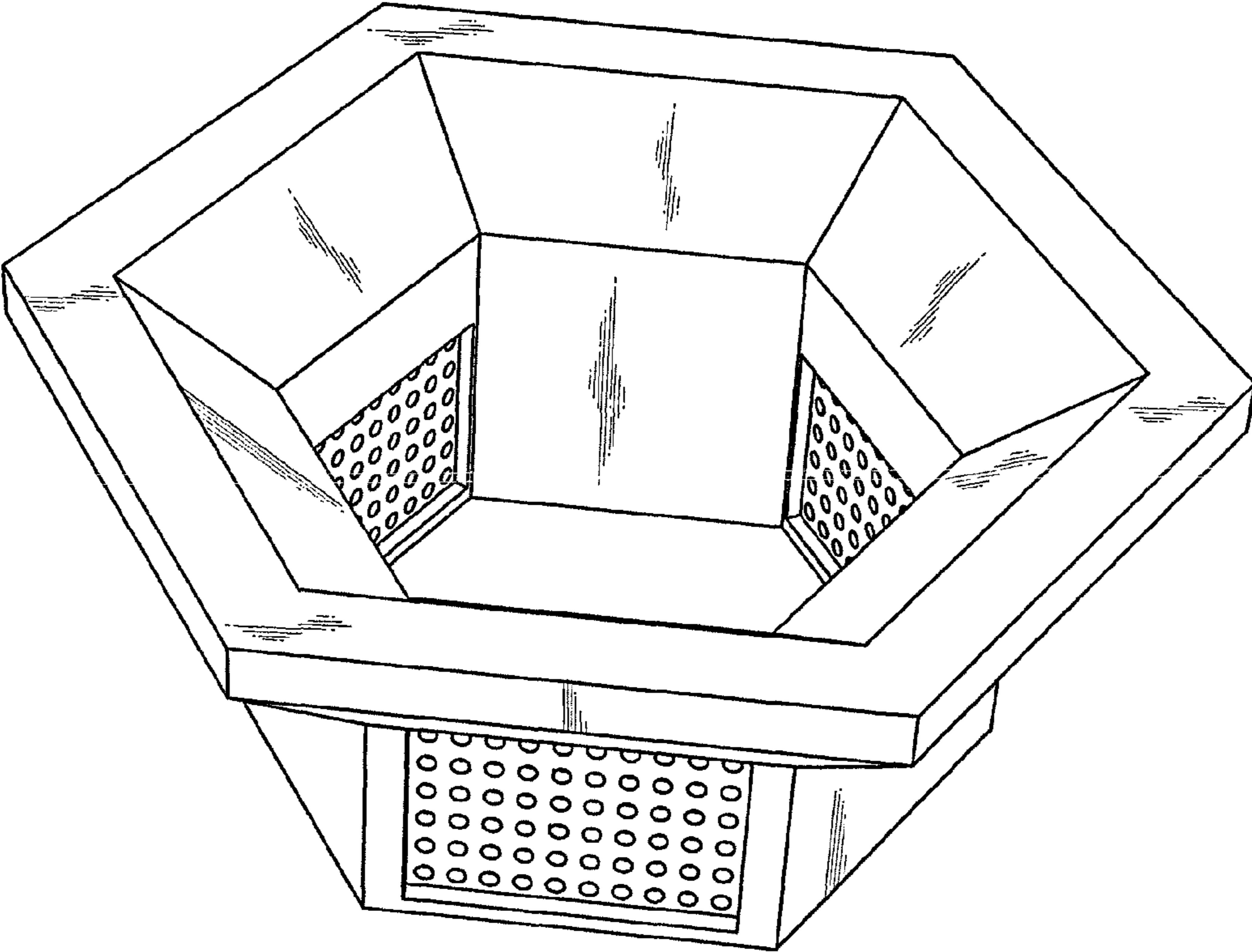


Figure 1

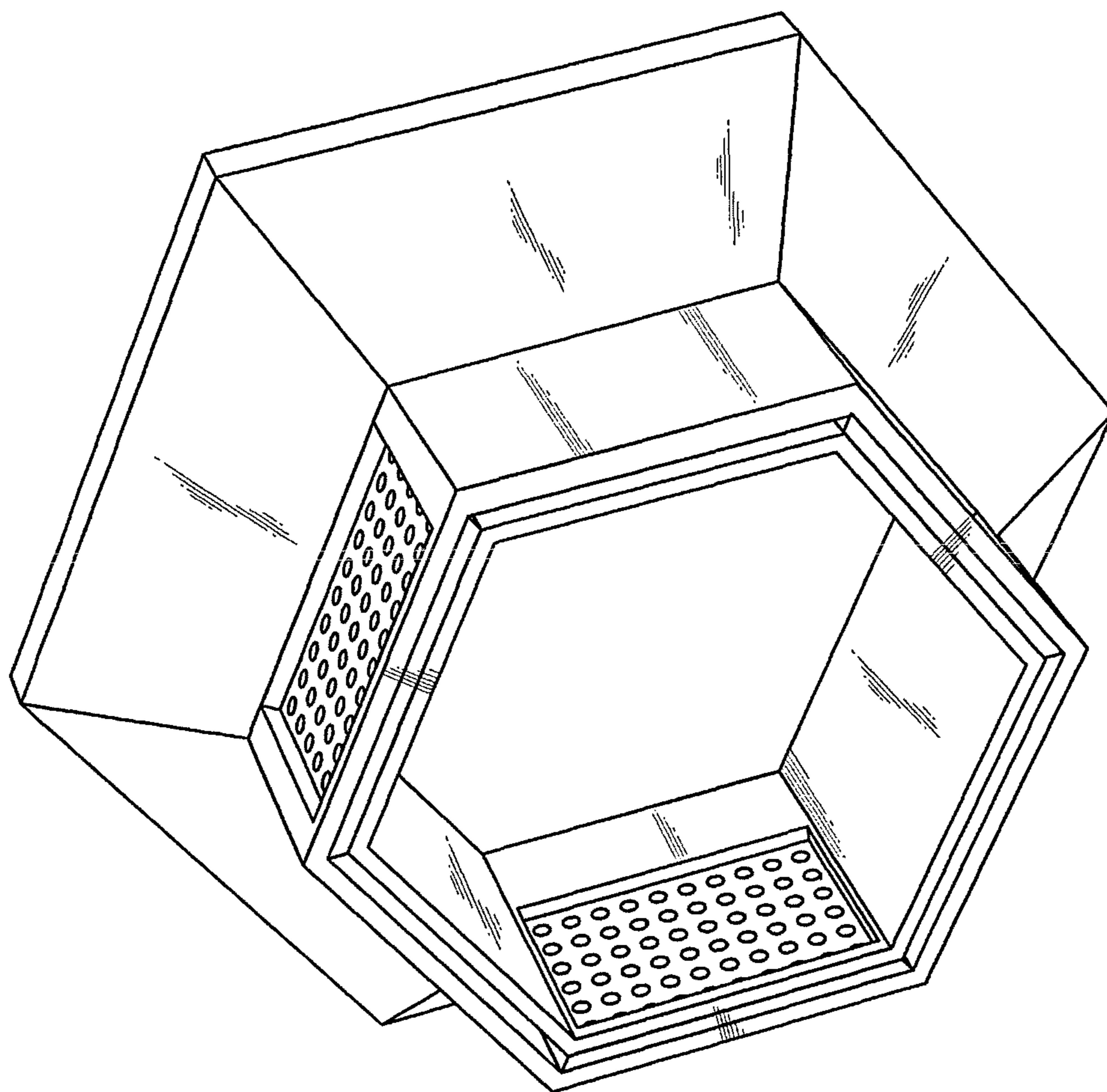


Figure 2

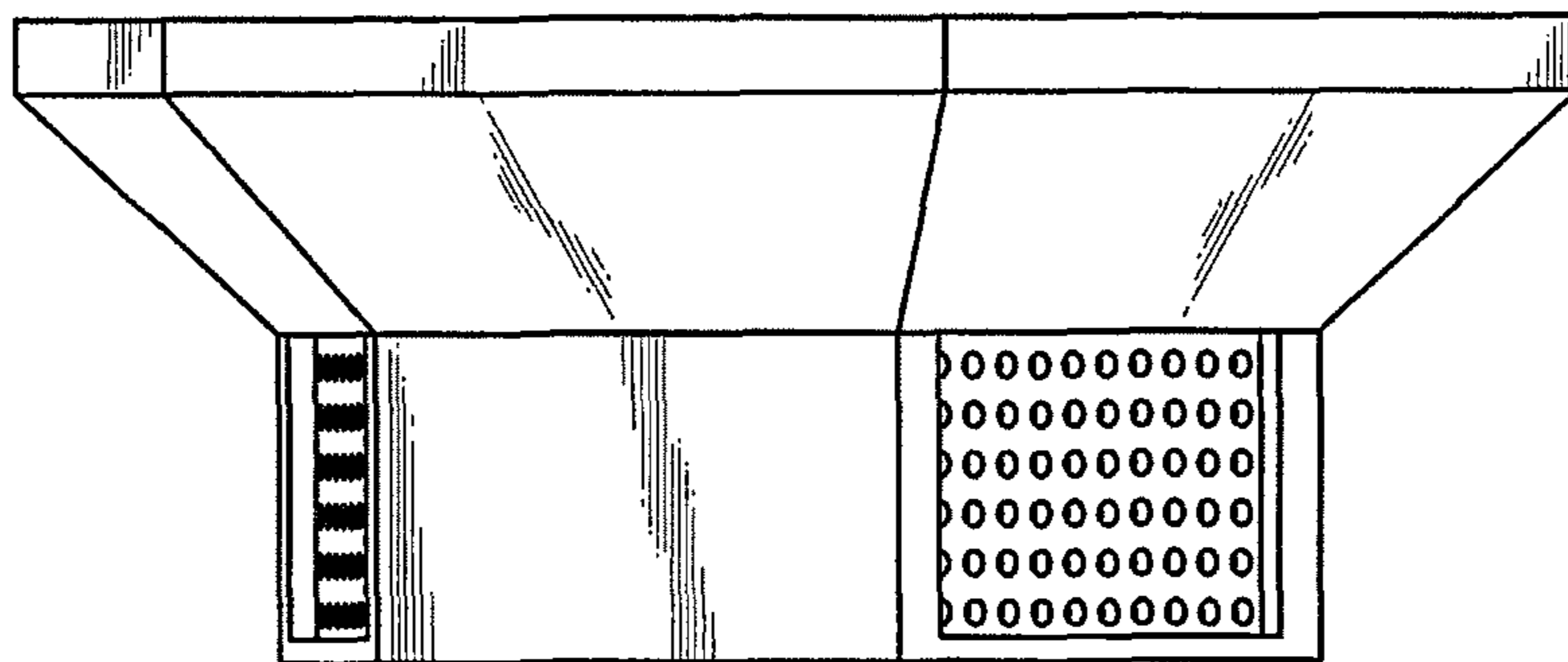


Figure 3

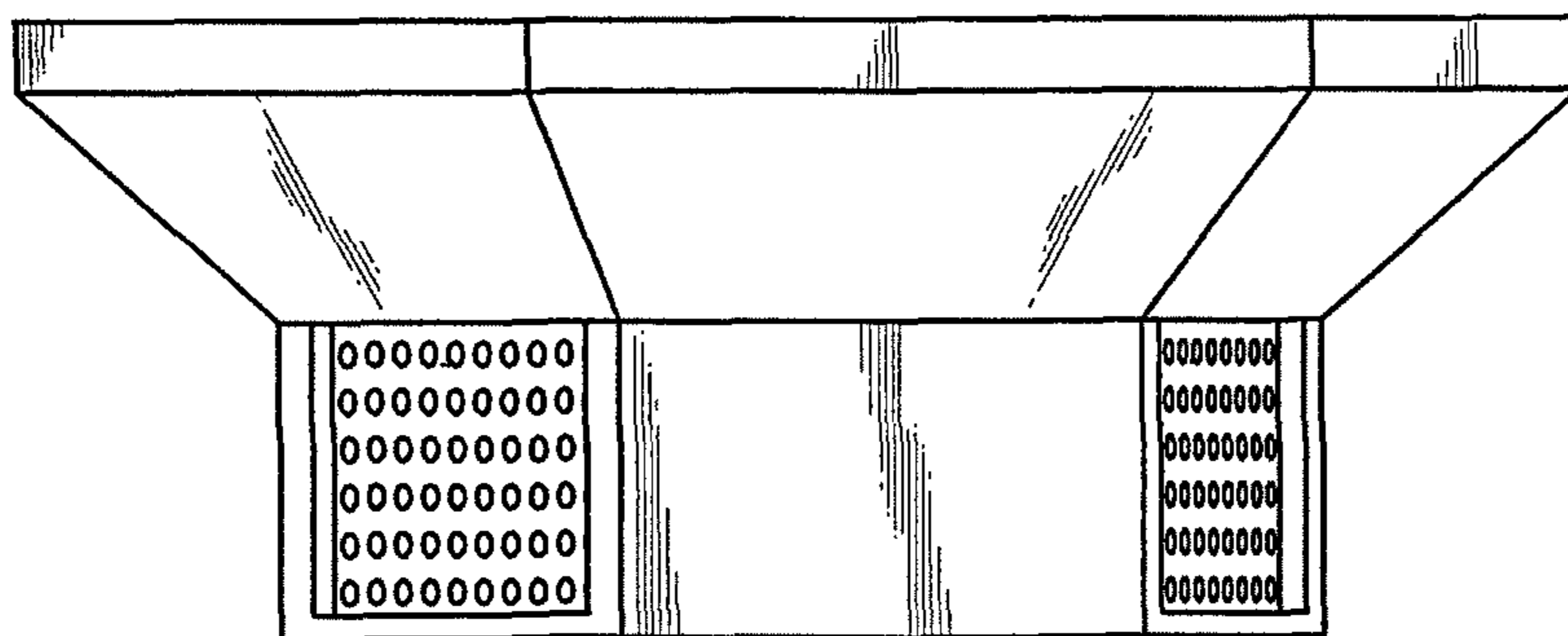


Figure 4

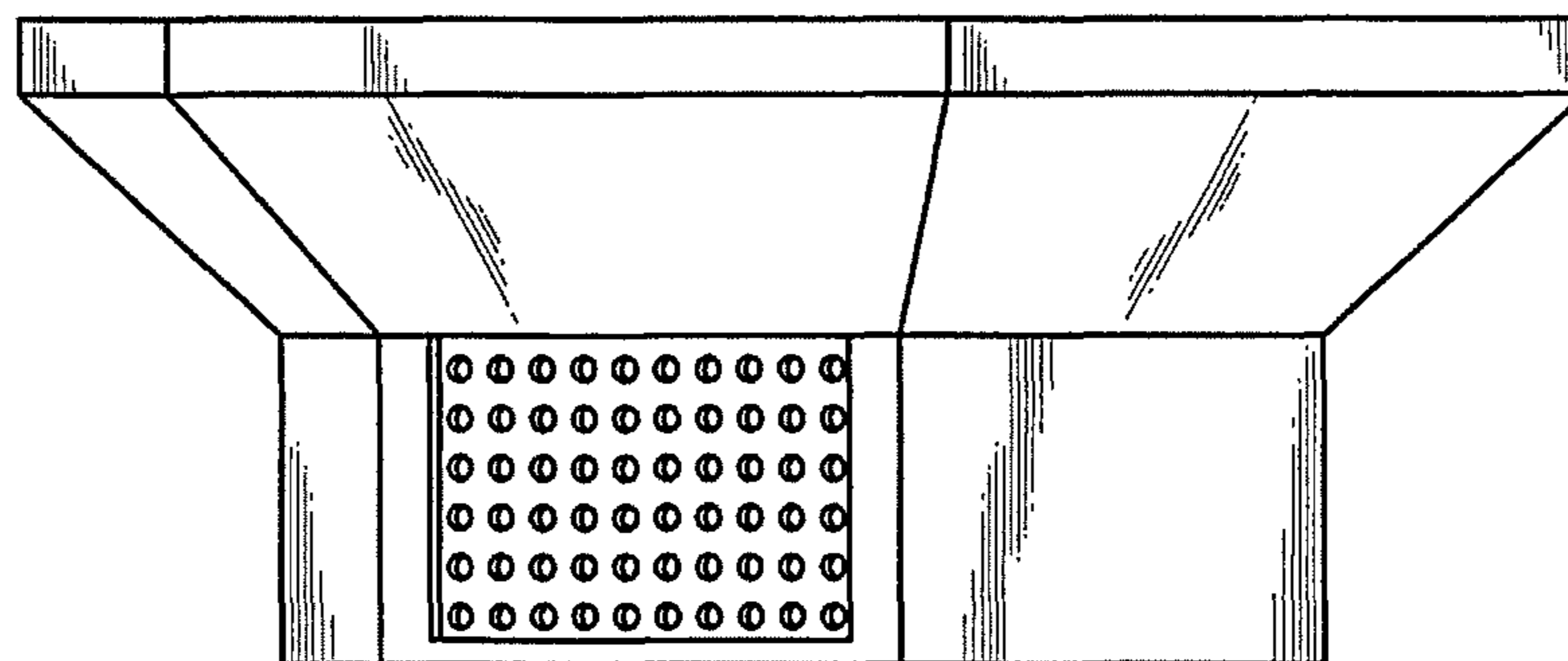


Figure 5

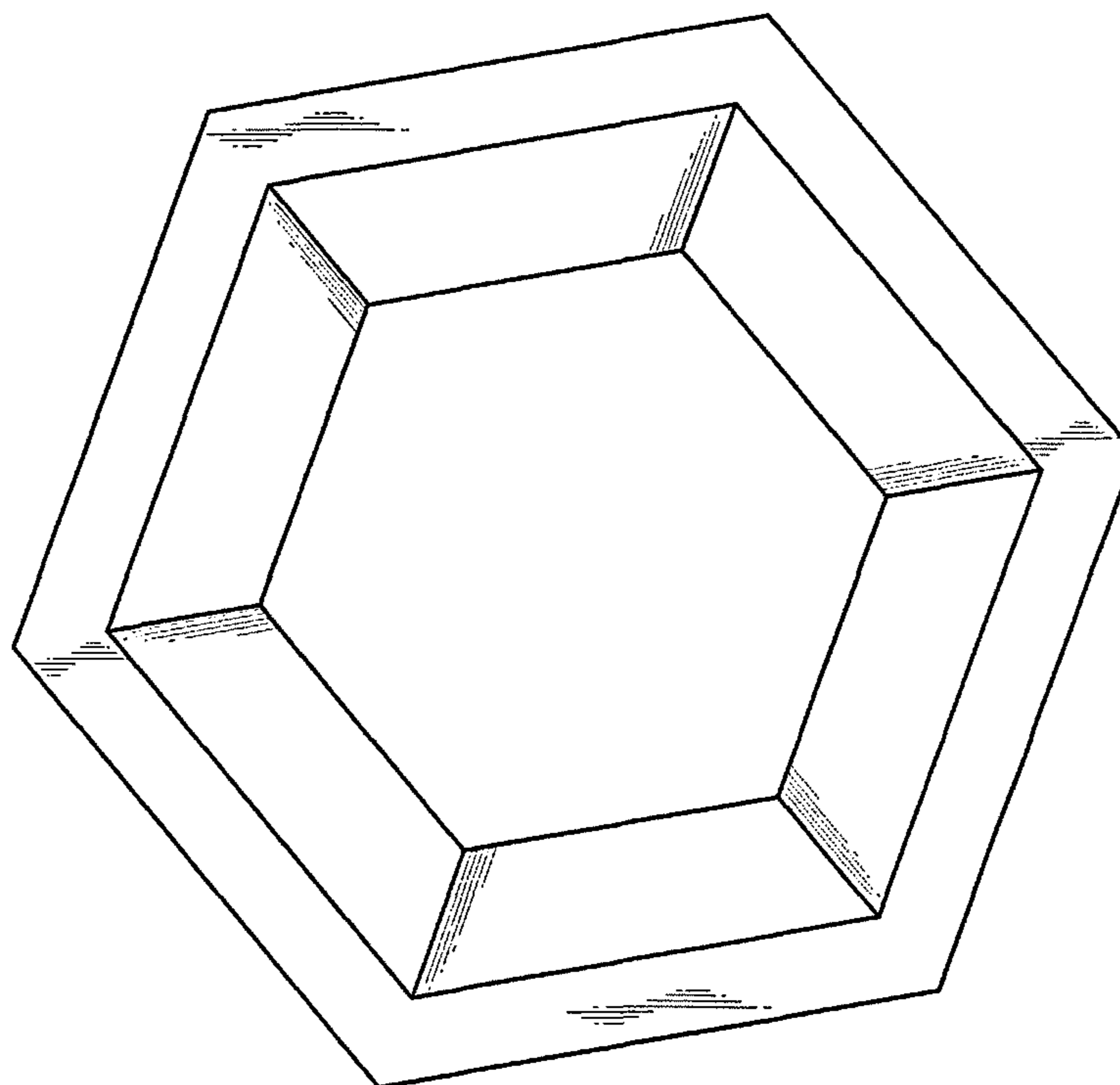


Figure 6

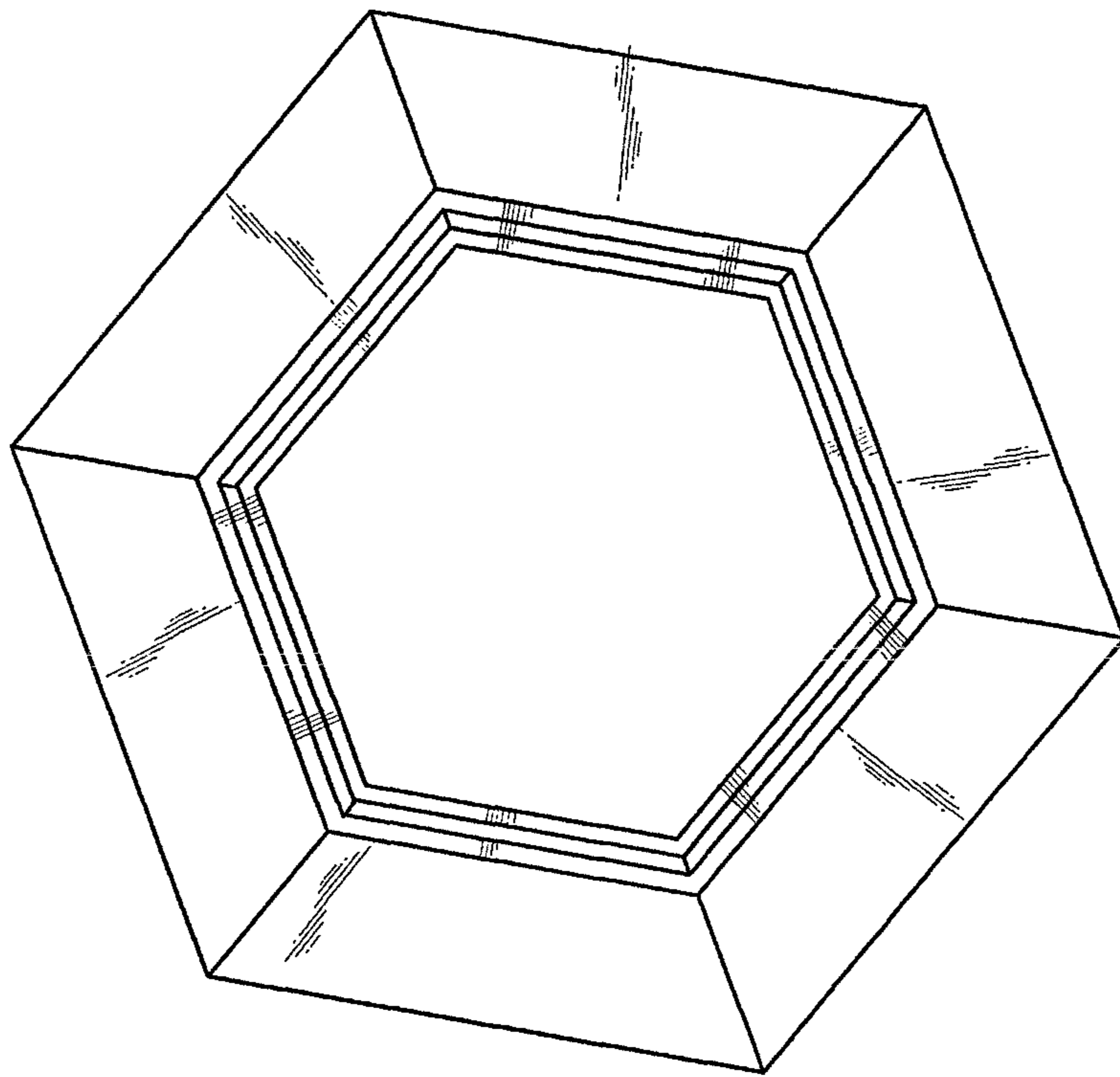


Figure 7