

US00D702324S

(12) **United States Design Patent**  
**Flowers et al.**

(10) **Patent No.:** **US D702,324 S**  
(45) **Date of Patent:** **\*\* Apr. 8, 2014**

(54) **PRESSURE BALANCING VALVE**

D686,305 S \* 7/2013 Flowers et al. .... D23/254

(71) Applicant: **Grohe AG**, Hemer (DE)

\* cited by examiner

(72) Inventors: **Paul Flowers**, Duesseldorf (DE); **Jochen Allard**, Menden (DE)

*Primary Examiner* — Robert Delehanty

(74) *Attorney, Agent, or Firm* — Muncy, Geissler, Olds & Lowe, P.C.

(73) Assignee: **Grohe AG**, Hemer (DE)

(57) **CLAIM**

(\*\*) Term: **14 Years**

The ornamental design for a pressure balancing valve, as shown and described.

(21) Appl. No.: **29/465,615**

**DESCRIPTION**

(22) Filed: **Aug. 29, 2013**

(30) **Foreign Application Priority Data**

Apr. 2, 2013 (EM) ..... 002212464-0008

(51) **LOC (10) Cl.** ..... **23-01**

(52) **U.S. Cl.**  
USPC ..... **D23/254**

(58) **Field of Classification Search**  
USPC ..... D23/238–243, 249–250, 252, 254;  
4/675–678; 137/359, 801;  
D8/350–353; 16/402

See application file for complete search history.

(56) **References Cited**

**U.S. PATENT DOCUMENTS**

D428,119 S \* 7/2000 Fiegl et al. .... D23/254  
D622,359 S \* 8/2010 Bouroullec et al. .... D23/254

FIG. 1 is a front elevational view of a pressure balancing valve according to the present invention.

FIG. 2 is a rear elevational view of the pressure balancing valve of FIG. 1.

FIG. 3 is a right side elevational view of the pressure balancing valve of FIG. 1.

FIG. 4 is a left side elevational view of the pressure balancing valve of FIG. 1.

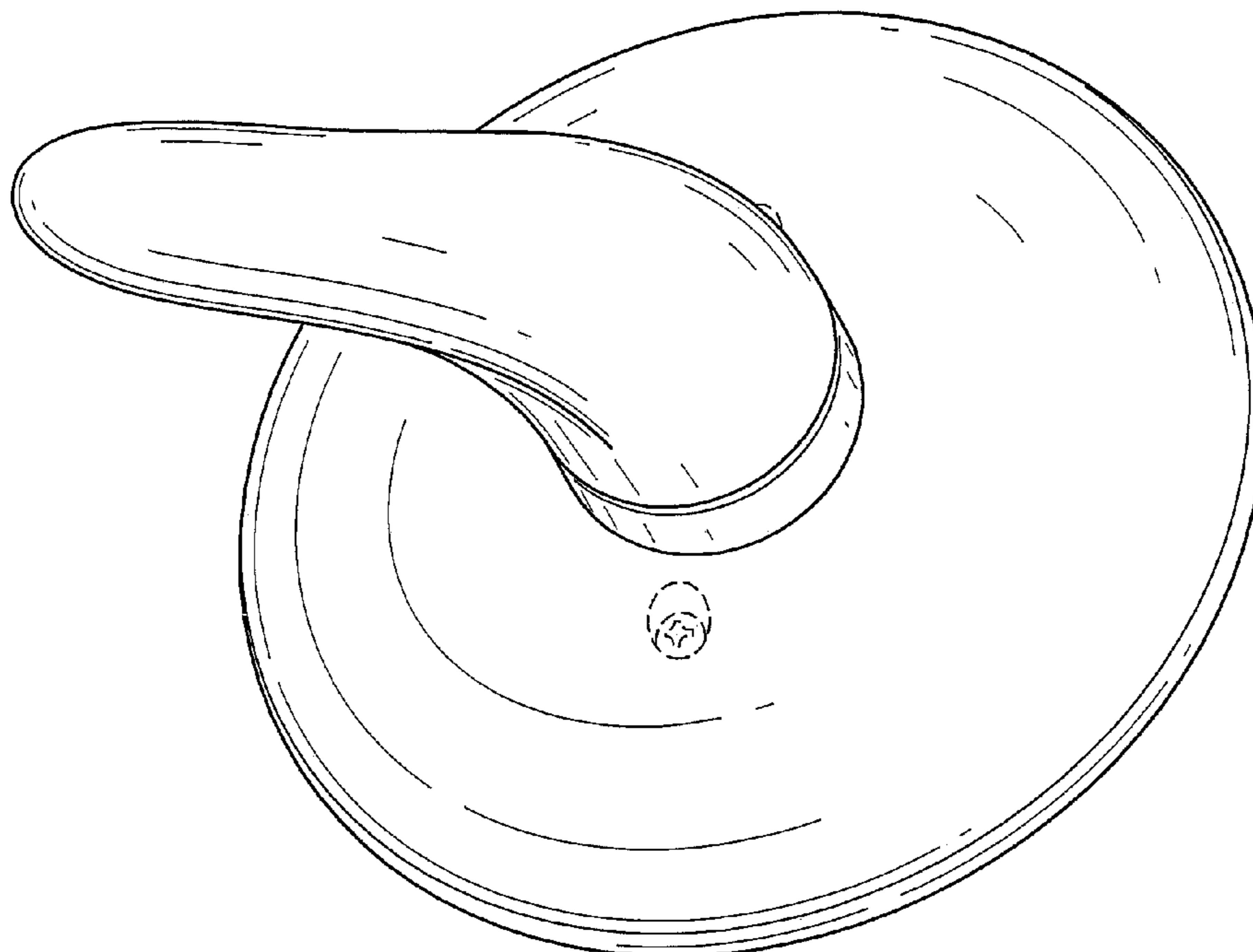
FIG. 5 is a top plan view of the pressure balancing valve of FIG. 1.

FIG. 6 is a bottom plan view of the pressure balancing valve of FIG. 1; and,

FIG. 7 is a perspective view of the pressure balancing valve of FIG. 1.

The dashed lines illustrate environment that does not form a part of the present invention, and no claim is made to the material illustrated with dashed lines.

**1 Claim, 7 Drawing Sheets**



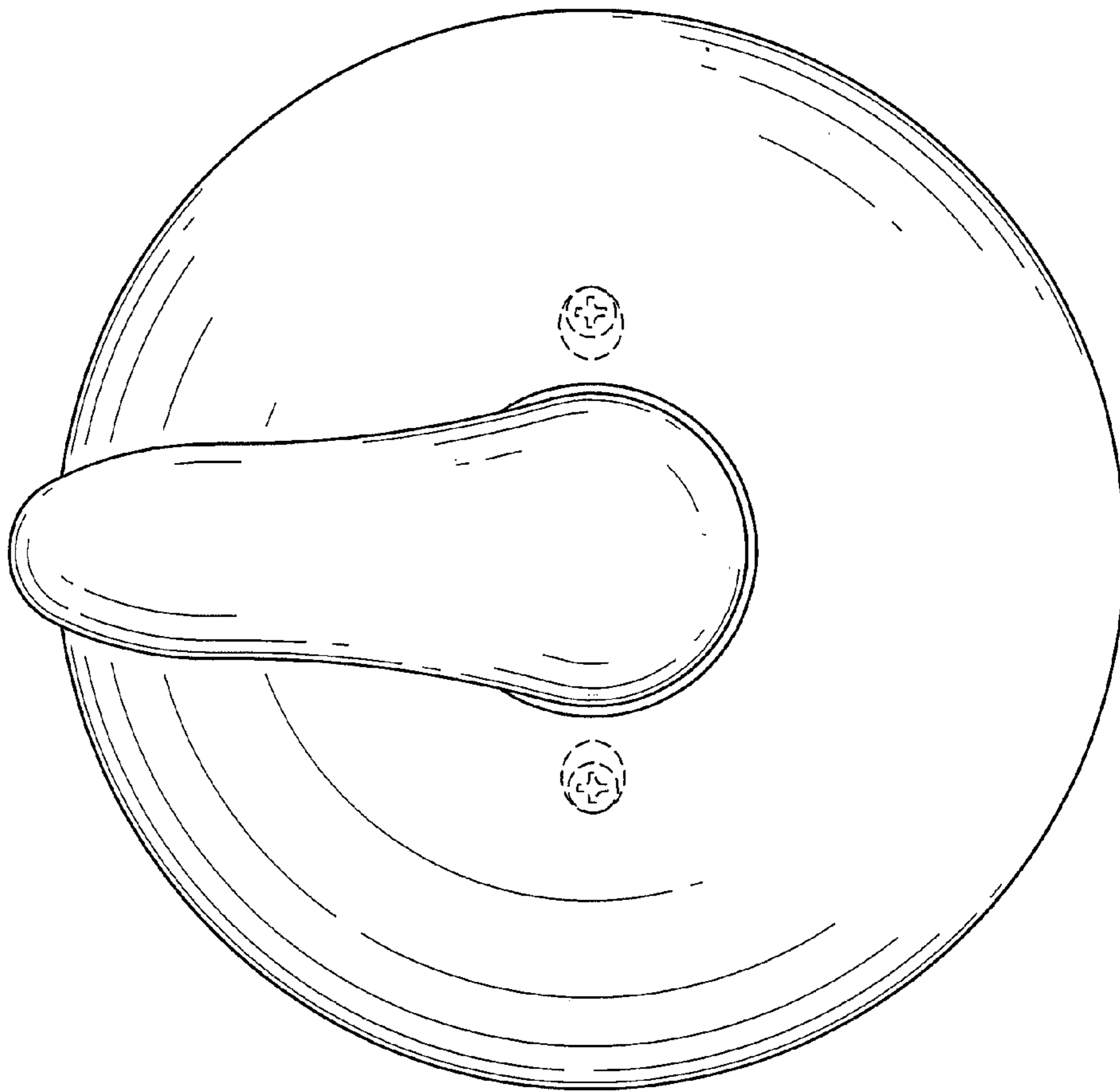


FIG.1

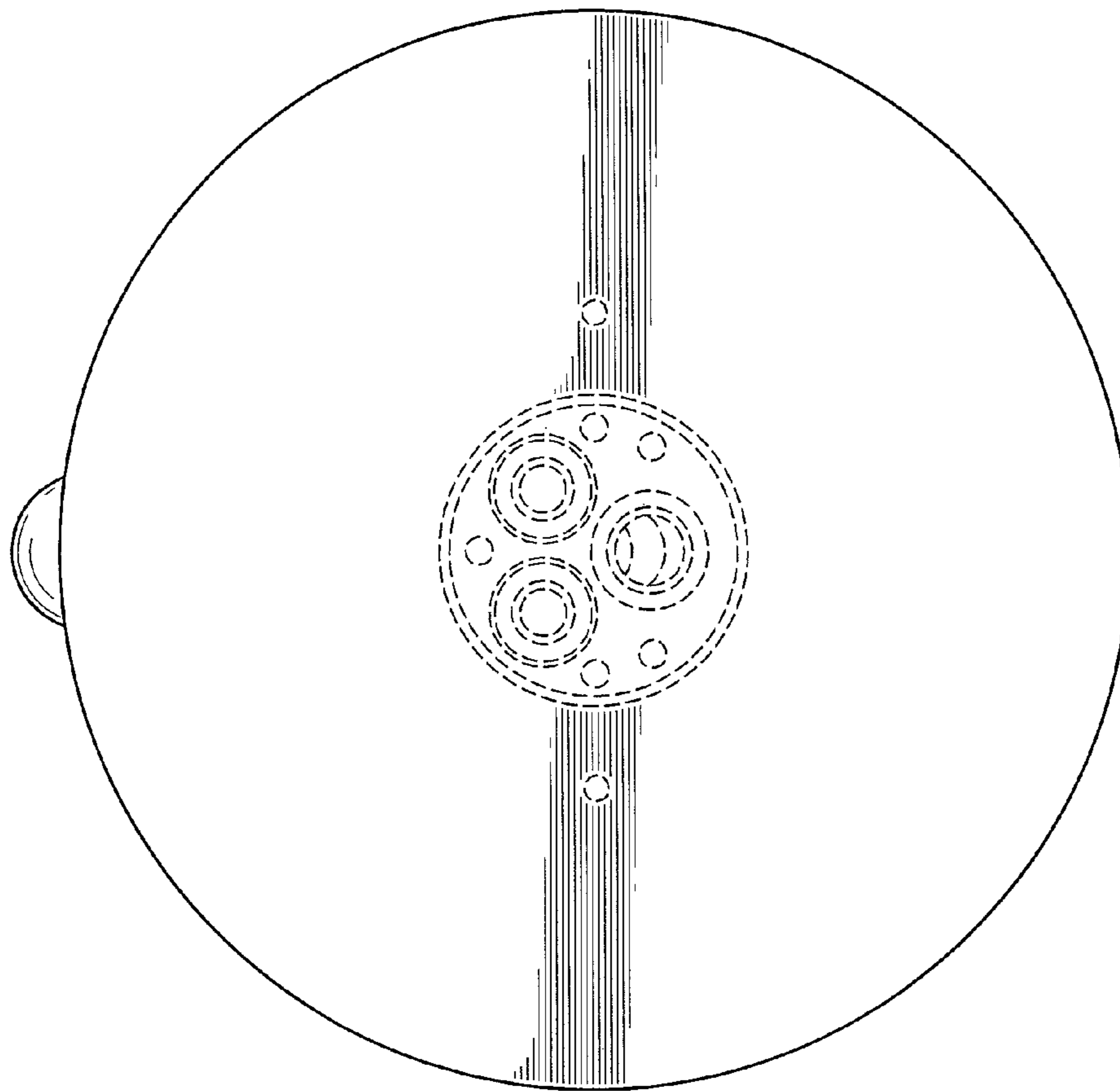


FIG.2

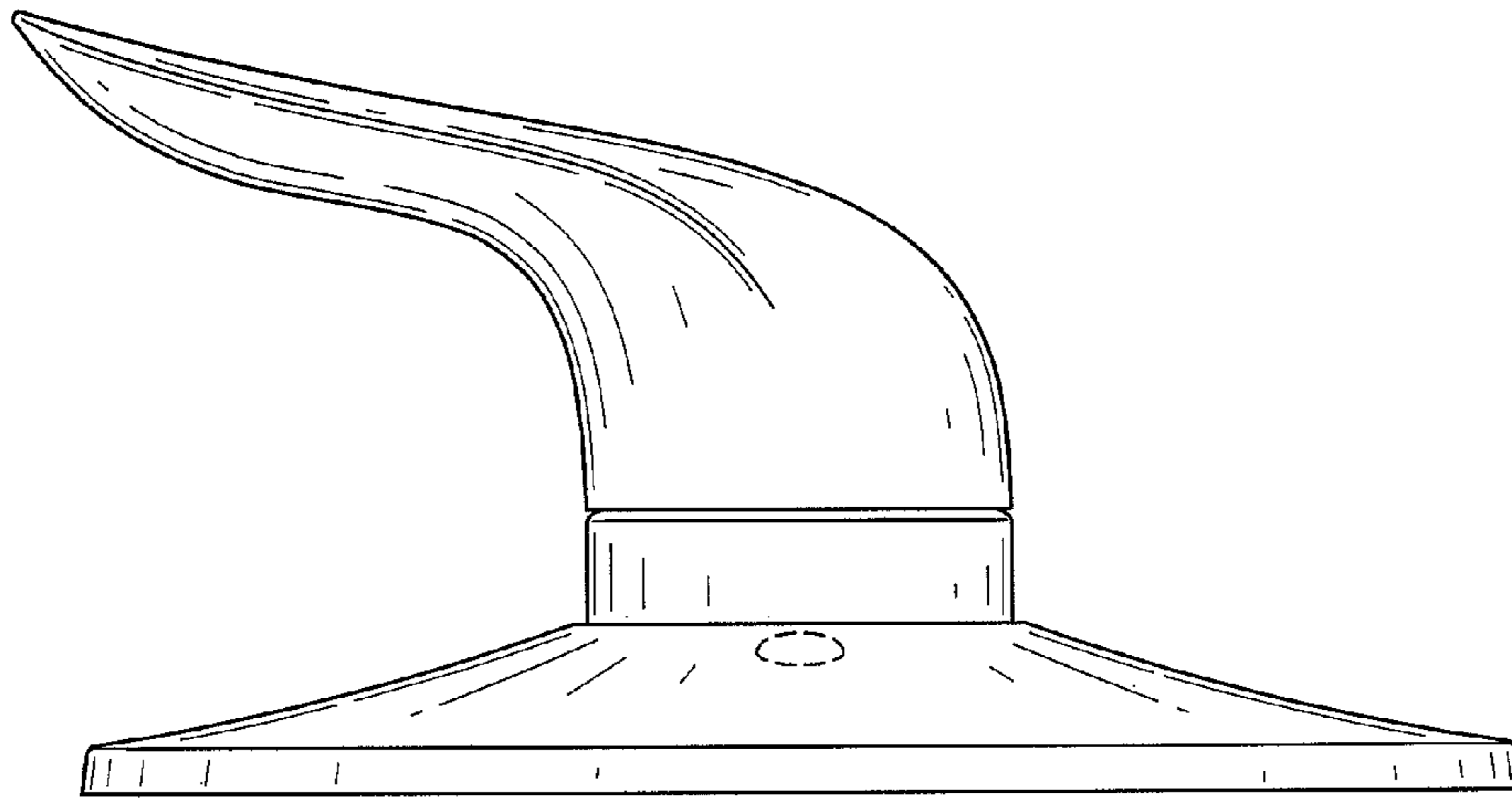


FIG.3

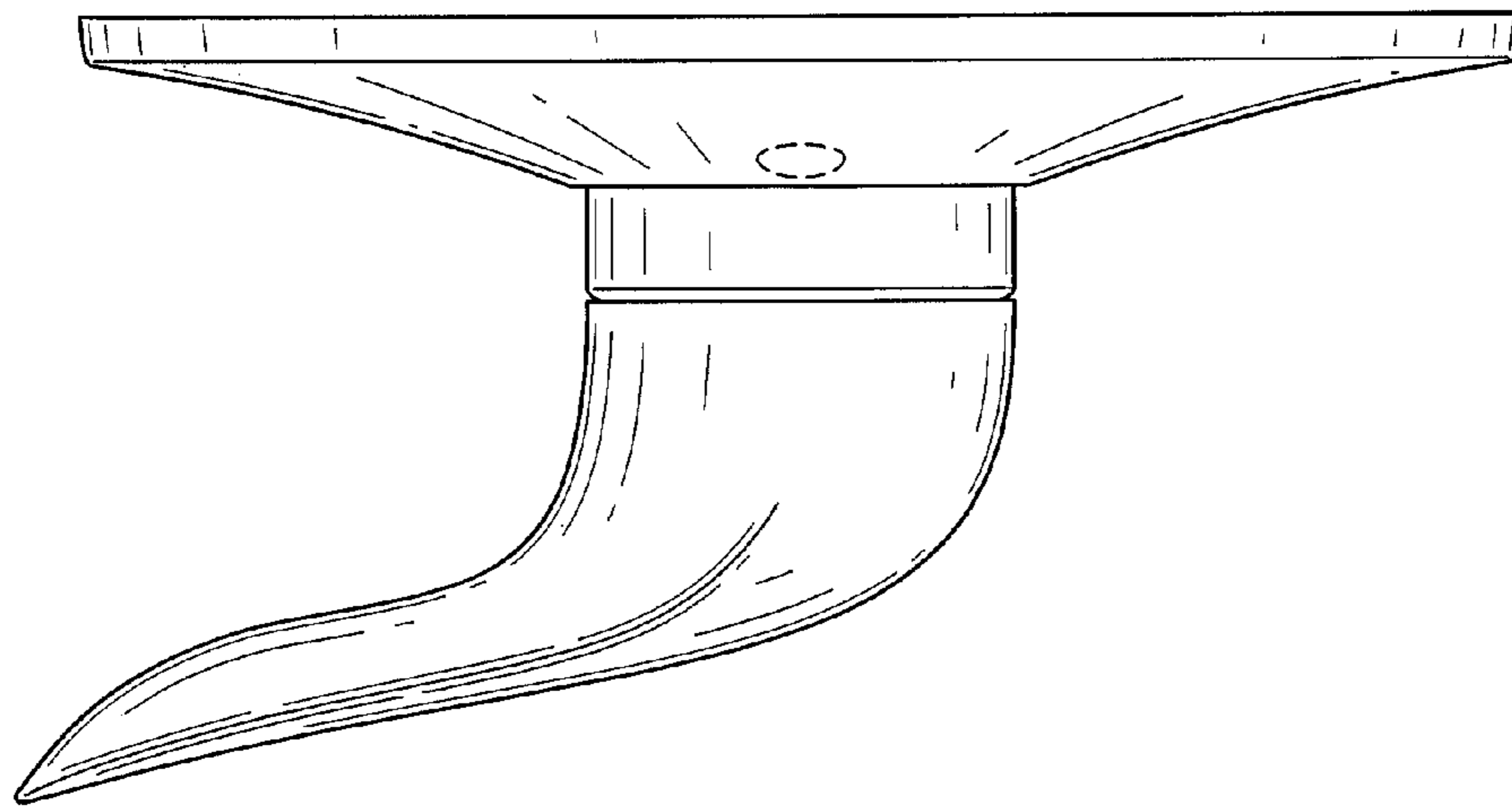


FIG.4

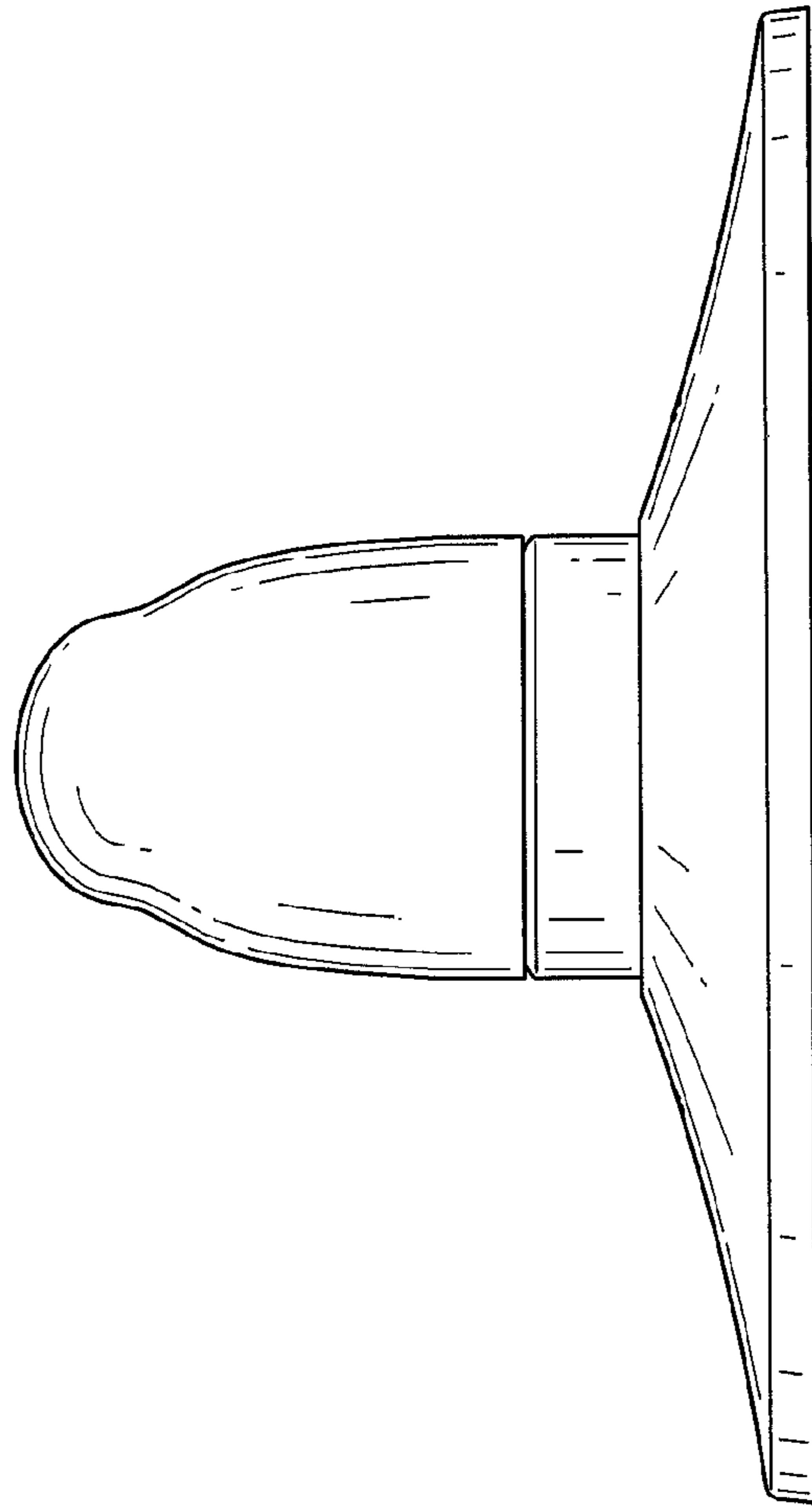


FIG.5

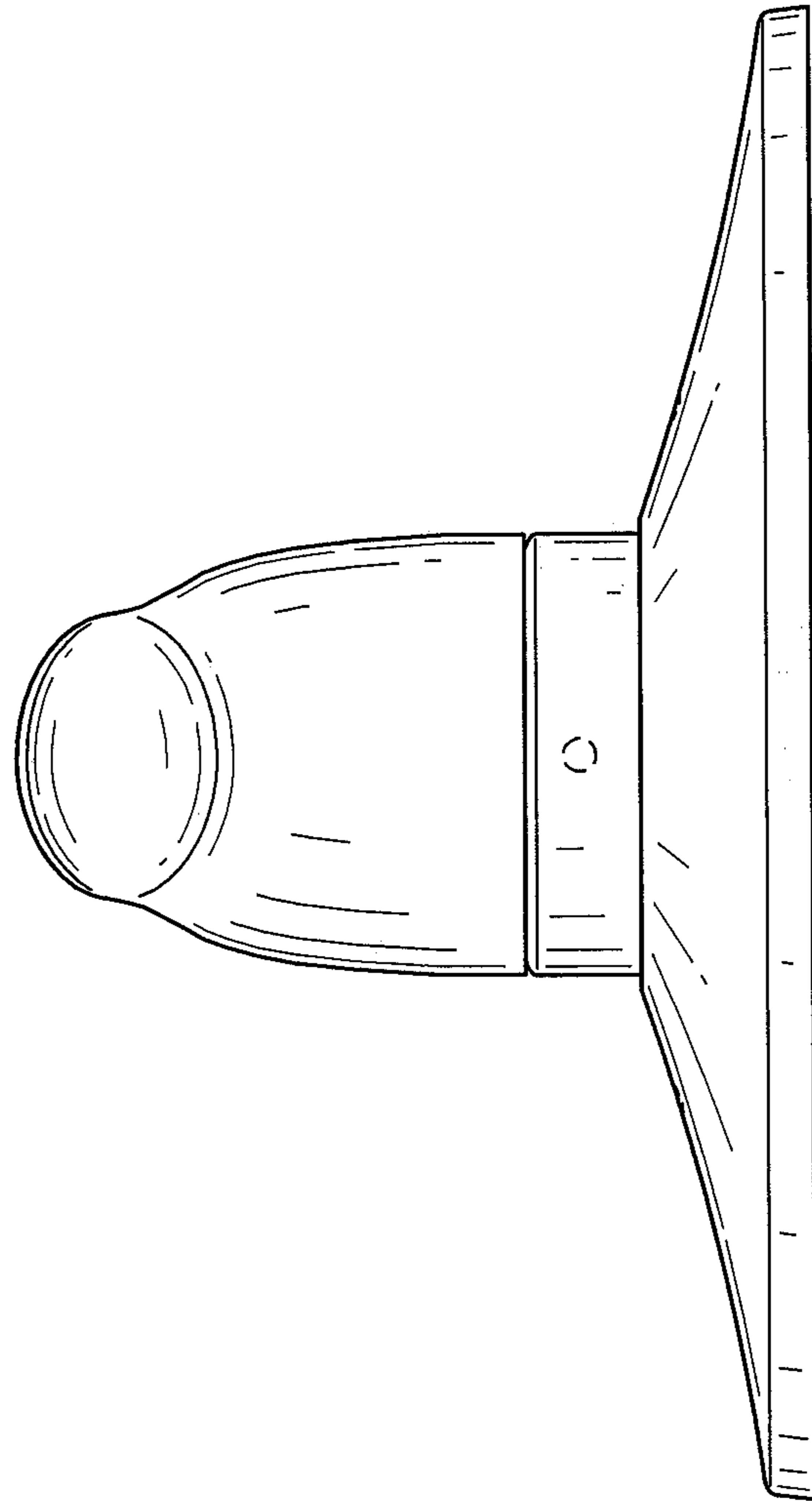


FIG.6

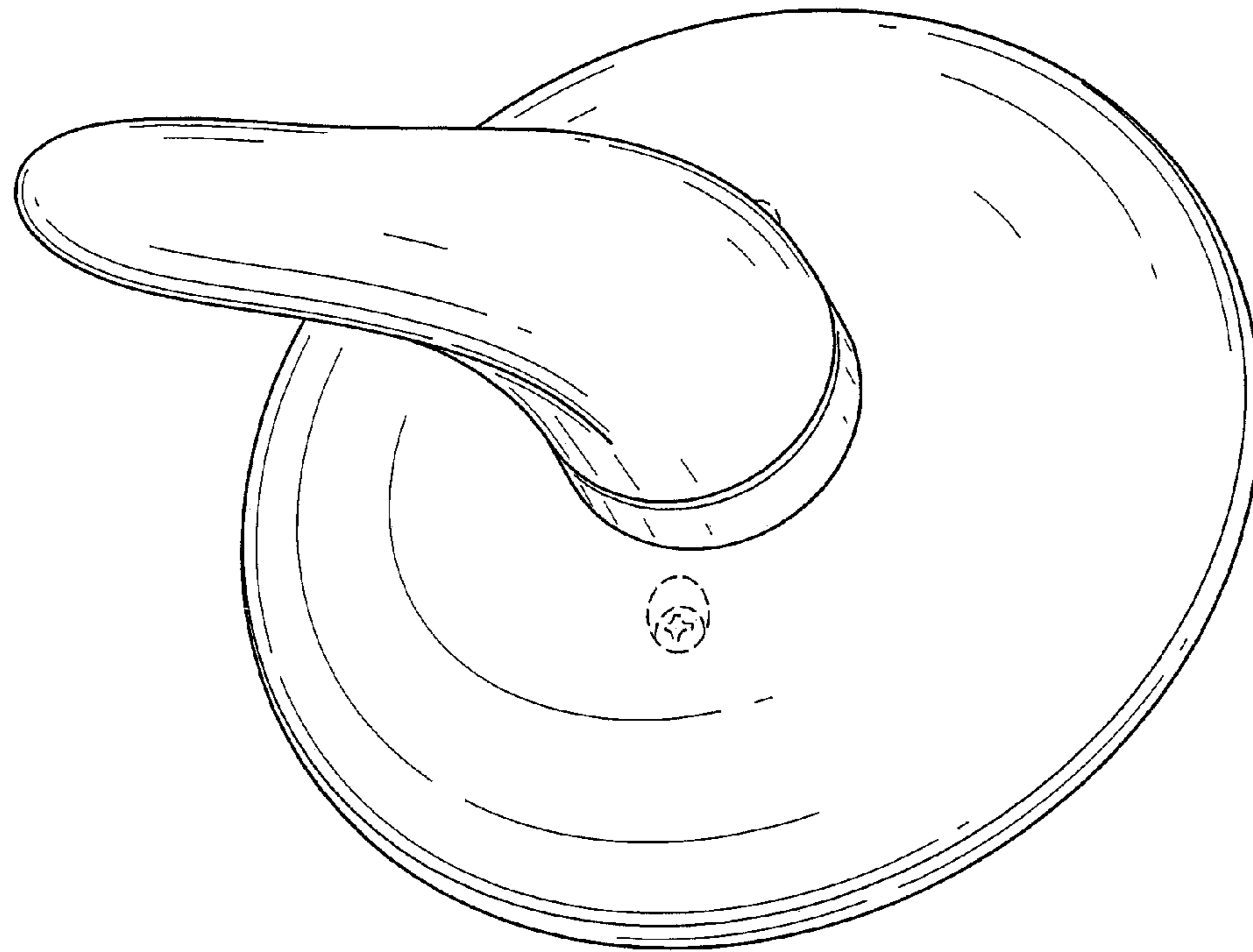


FIG. 7