



US00D702322S

(12) **United States Design Patent**
Sieger

(10) **Patent No.:** **US D702,322 S**

(45) **Date of Patent:** **** Apr. 8, 2014**

(54) **SINK FAUCET**

(71) Applicant: **Michael Sieger**, Sassenberg (DE)

(72) Inventor: **Michael Sieger**, Sassenberg (DE)

(73) Assignee: **Aloys F. Dombracht GmbH & Co. KG**,
Iserlohn (DE)

(**) Term: **14 Years**

(21) Appl. No.: **29/443,912**

(22) Filed: **Jan. 24, 2013**

(30) **Foreign Application Priority Data**

Jul. 25, 2012 (EP) 001336812-0001

(51) **LOC (10) Cl.** **23-01**

(52) **U.S. Cl.**
USPC **D23/238**

(58) **Field of Classification Search**
USPC D23/238-243, 250, 252, 255;
4/675-678; 137/801

See application file for complete search history.

(56) **References Cited**

U.S. PATENT DOCUMENTS

D576,705 S *	9/2008	McKeone	D23/238
D599,893 S *	9/2009	Sieger	D23/255
D606,173 S *	12/2009	Sieger	D23/255
D646,359 S *	10/2011	Sieger	D23/238
8,061,386 B2 *	11/2011	Mueller et al.	137/801

* cited by examiner

Primary Examiner — Robert Delehanty

(74) *Attorney, Agent, or Firm* — Von Rohrscheidt Patents

(57) **CLAIM**

The ornamental design for a sink faucet, as shown and described.

DESCRIPTION

FIG. 1 illustrates a right side view of an embodiment of the sink faucet showing the new design.

FIG. 2 illustrates a right side view of the sink faucet in FIG. 1.

FIG. 3 illustrates a front right side view of the sink faucet in FIG. 1.

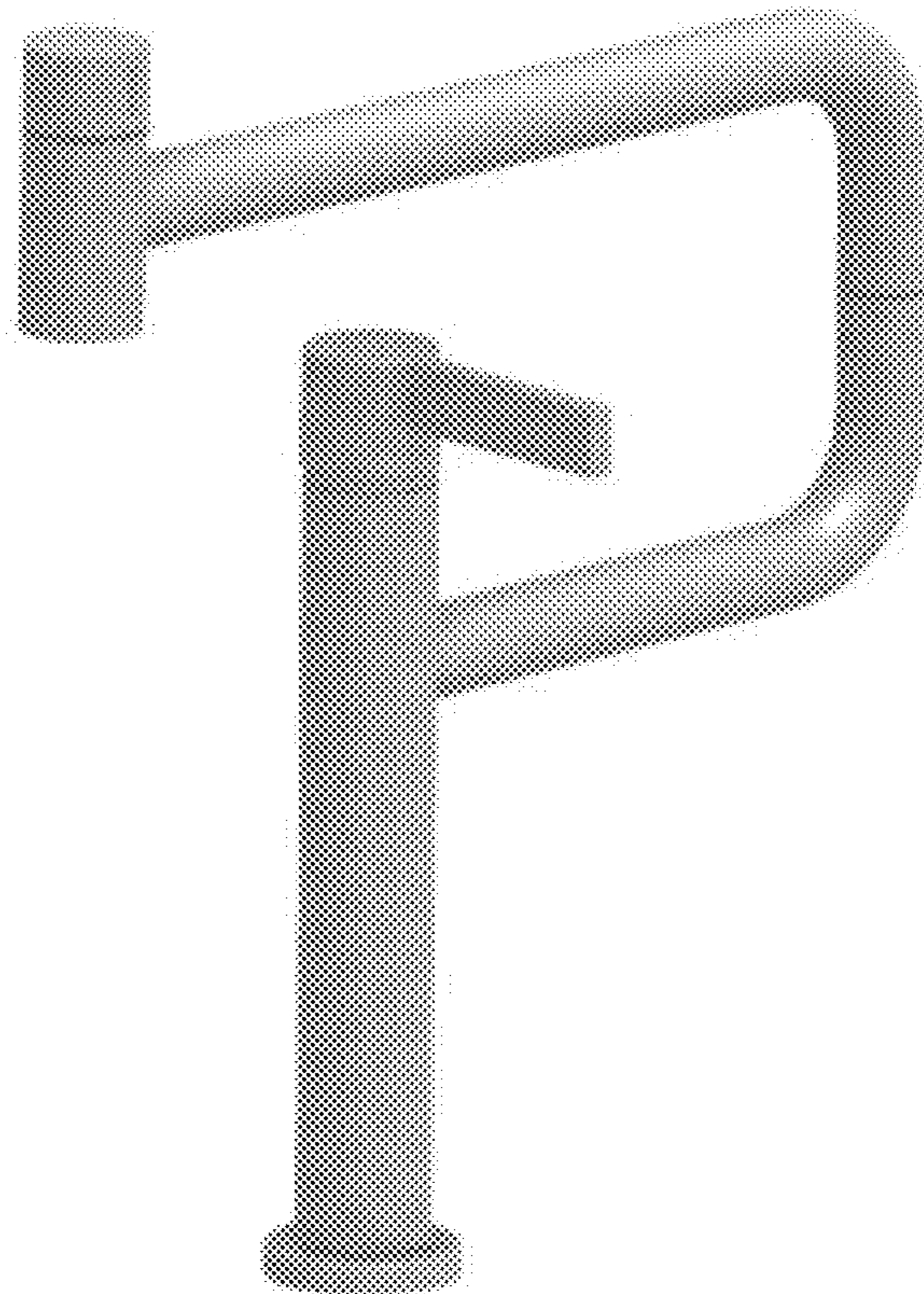
FIG. 4 illustrates a left rear view of the sink faucet in FIG. 1.

FIG. 5 illustrates a rear view of the sink faucet in FIG. 1.

FIG. 6 illustrates a rear view of the sink faucet in FIG. 1; and,

FIG. 7 illustrates a top view of the sink faucet in FIG. 1.

1 Claim, 3 Drawing Sheets



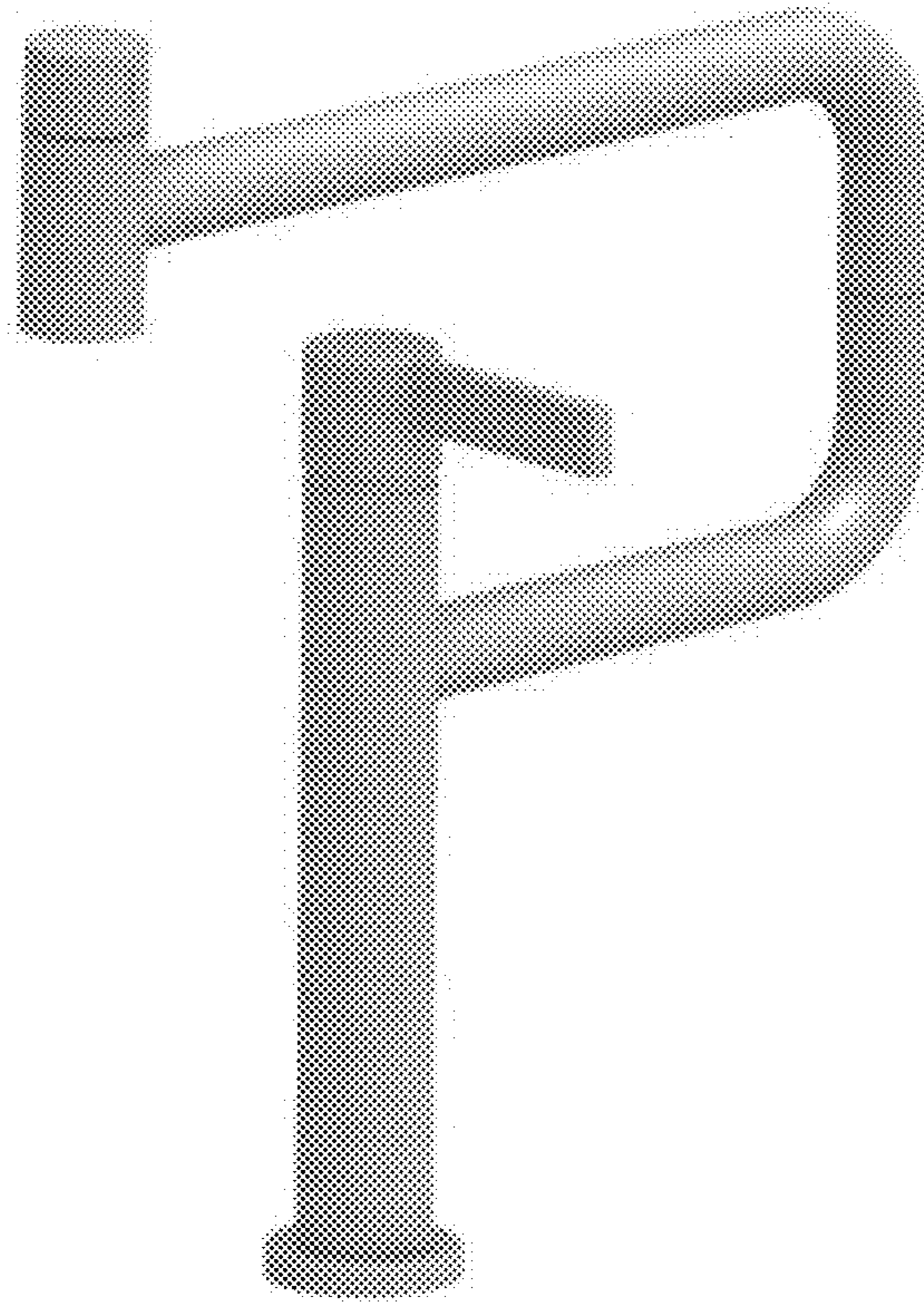


FIG. 1

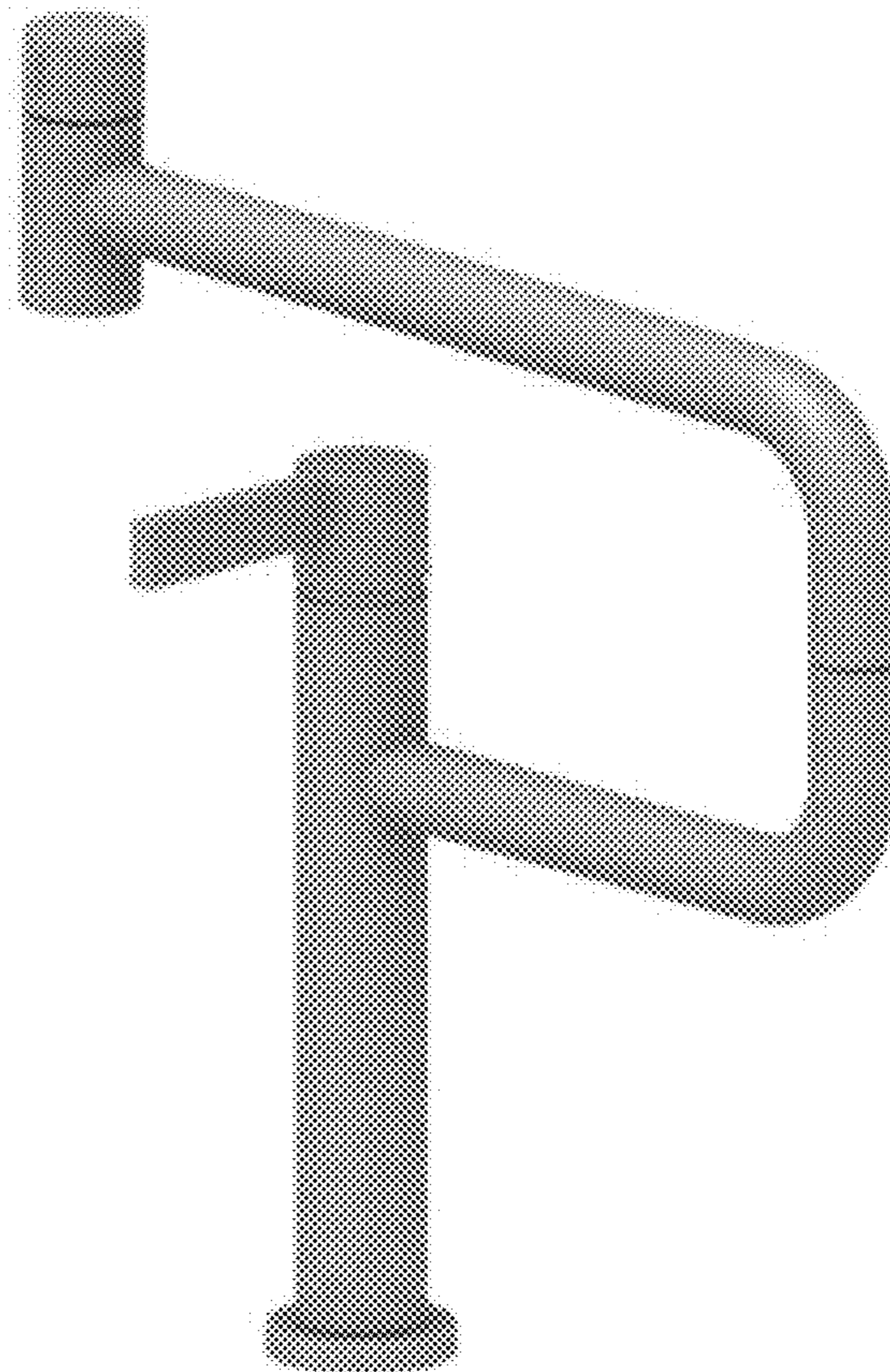


FIG. 2

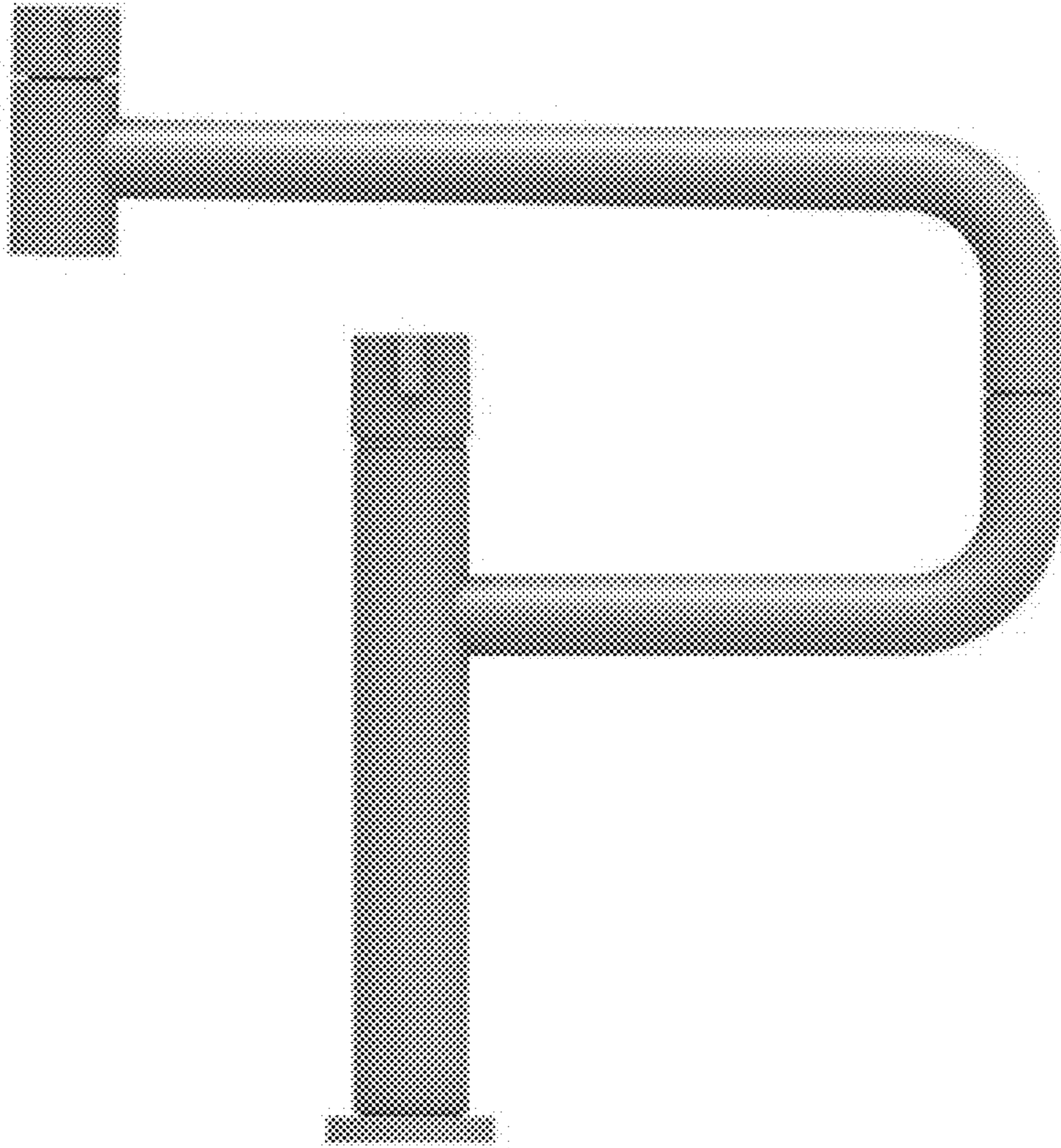


FIG. 3



FIG. 4

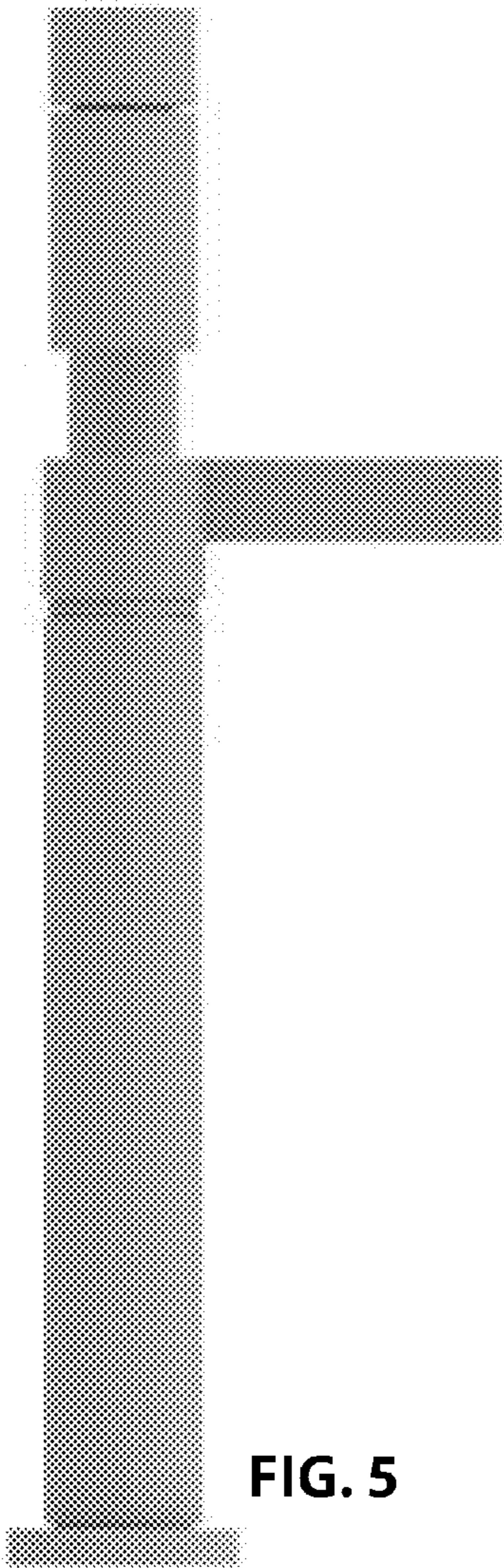


FIG. 5

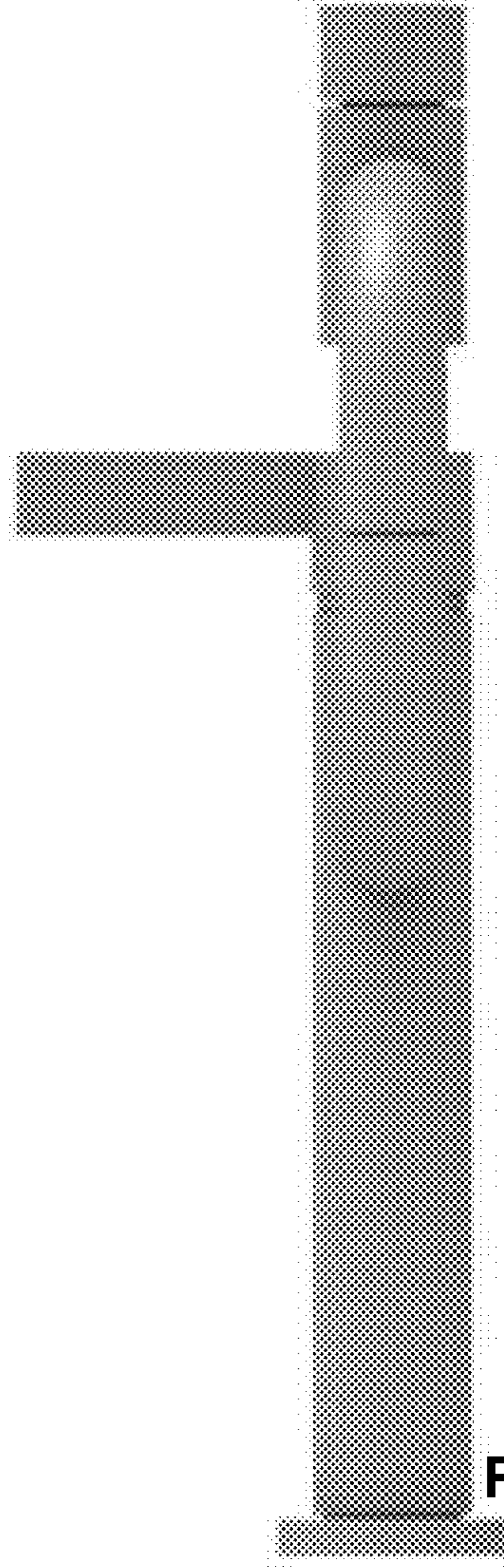


FIG. 6

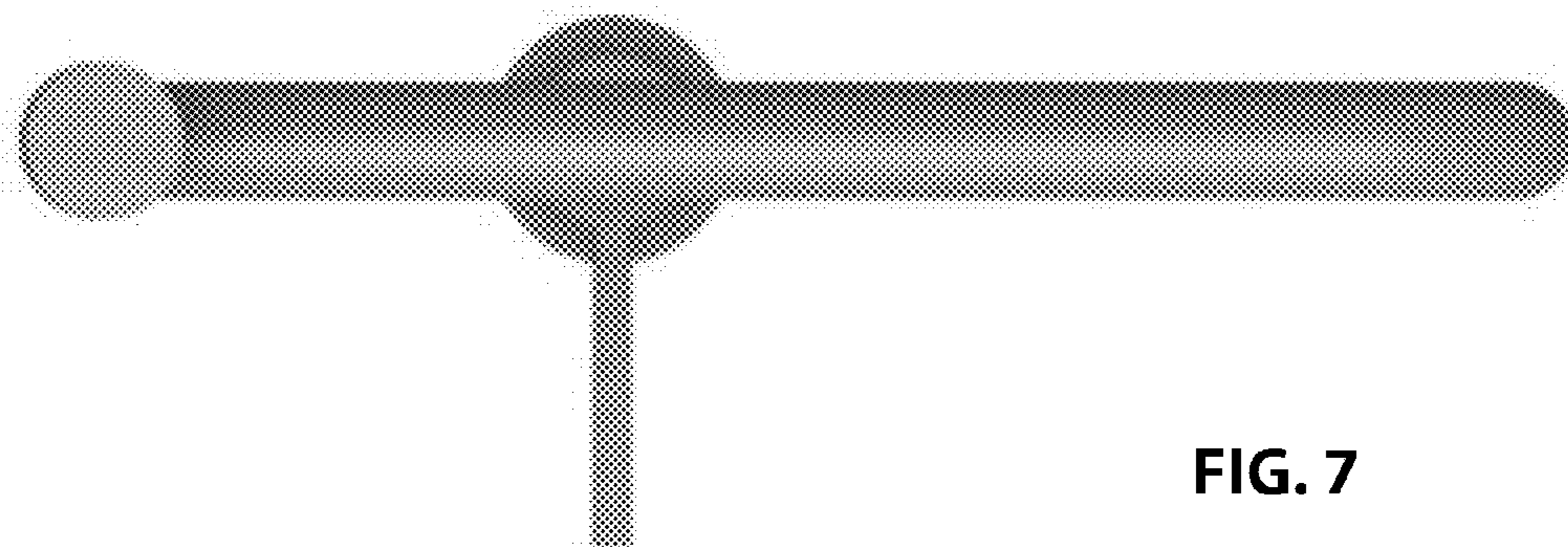


FIG. 7

UNITED STATES PATENT AND TRADEMARK OFFICE
CERTIFICATE OF CORRECTION

PATENT NO. : D702,322 S
APPLICATION NO. : 29/443912
DATED : April 8, 2014
INVENTOR(S) : Michael Sieger

Page 1 of 1

It is certified that error appears in the above-identified patent and that said Letters Patent is hereby corrected as shown below:

On the Title Page, Item (73) Assignee should read -- Assignee Name: Aloys F. Dombrecht GmbH & Co. KG --.

Signed and Sealed this
Twelfth Day of August, 2014



Michelle K. Lee
Deputy Director of the United States Patent and Trademark Office

UNITED STATES PATENT AND TRADEMARK OFFICE
CERTIFICATE OF CORRECTION

PATENT NO. : D702,322 S
APPLICATION NO. : 29/443912
DATED : April 8, 2014
INVENTOR(S) : Michael Sieger

Page 1 of 1

It is certified that error appears in the above-identified patent and that said Letters Patent is hereby corrected as shown below:

On the Title Page, Item (73) Assignee should read -- Assignee Name: Aloys F. Dornbracht GmbH & Co. KG --.

This certificate supersedes the Certificate of Correction issued August 12, 2014.

Signed and Sealed this
Eighteenth Day of November, 2014



Michelle K. Lee
Deputy Director of the United States Patent and Trademark Office