



US00D702321S

(12) **United States Design Patent**
Narita

(10) **Patent No.:** **US D702,321 S**

(45) **Date of Patent:** **** Apr. 8, 2014**

- (54) **ELECTROMAGNETIC VALVE**
- (71) Applicant: **SMC Corporation**, Chiyoda-ku (JP)
- (72) Inventor: **Masaru Narita**, Kashiwa (JP)
- (73) Assignee: **SMC Corporation**, Tokyo (JP)

7,246,863	B2 *	7/2007	Otsuka	303/119.3
7,273,206	B2 *	9/2007	Sato et al.	251/129.15
D563,510	S *	3/2008	Yoshimura et al.	D23/233
D563,511	S *	3/2008	Mita et al.	D23/233
D563,512	S *	3/2008	Mita et al.	D23/233
D563,513	S *	3/2008	Mita et al.	D23/233
D563,515	S *	3/2008	Yoshimura et al.	D23/233
D563,516	S *	3/2008	Mita et al.	D23/233

- (**) Term: **14 Years**
- (21) Appl. No.: **29/443,021**
- (22) Filed: **Jan. 11, 2013**

OTHER PUBLICATIONS

U.S. Appl. No. 29/433,033, filed Jan. 11, 2013, Narita.
 U.S. Appl. No. 29/454,789, filed May 14, 2013, Narita.
 U.S. Appl. No. 29/454,803, filed May 14, 2013, Narita.

* cited by examiner

- (30) **Foreign Application Priority Data**
- Jul. 13, 2012 (JP) 2012-016733
- (51) **LOC (10) Cl.** **23-01**
- (52) **U.S. Cl.**
- USPC **D23/233**
- (58) **Field of Classification Search**
- USPC D23/233-237, 244-249; 137/554, 557,
137/560, 882, 884, 343, 625.64, 269, 271;
251/331, 219, 15, 130, 129.04
- See application file for complete search history.

Primary Examiner — Cynthia Ramirez

(74) *Attorney, Agent, or Firm* — Oblon, Spivak, McClelland, Maier & Neustadt, L.L.P.

(57) **CLAIM**

The ornamental design for an electromagnetic valve, as shown and described.

DESCRIPTION

FIG. 1 is a front, top, and left side perspective view of an electromagnetic valve;
 FIG. 2 is a rear, bottom, and left side perspective view of;
 FIG. 3 is a front elevational view thereof;
 FIG. 4 is a rear elevational view thereof;
 FIG. 5 is a top plan view thereof;
 FIG. 6 is a bottom plan view thereof;
 FIG. 7 is a left side elevational view thereof; and,
 FIG. 8 is a right side elevational view thereof.
 The broken lines in the drawings depict environmental subject matter only and form no part of the claimed design.

- (56) **References Cited**
- U.S. PATENT DOCUMENTS**
- D338,258 S * 8/1993 Tamaki D23/248
- D409,279 S * 5/1999 Hayashi et al. D23/233
- D416,309 S * 11/1999 Hayashi et al. D23/233
- 6,408,883 B2 * 6/2002 Motoki et al. 137/625.64
- D524,910 S * 7/2006 Matsumoto et al. D23/233
- D533,255 S * 12/2006 Miyazoe et al. D23/233
- D544,577 S * 6/2007 Matsumoto et al. D23/233
- D544,578 S * 6/2007 Matsumoto et al. D23/233
- D546,420 S * 7/2007 Matsumoto et al. D23/233

1 Claim, 4 Drawing Sheets

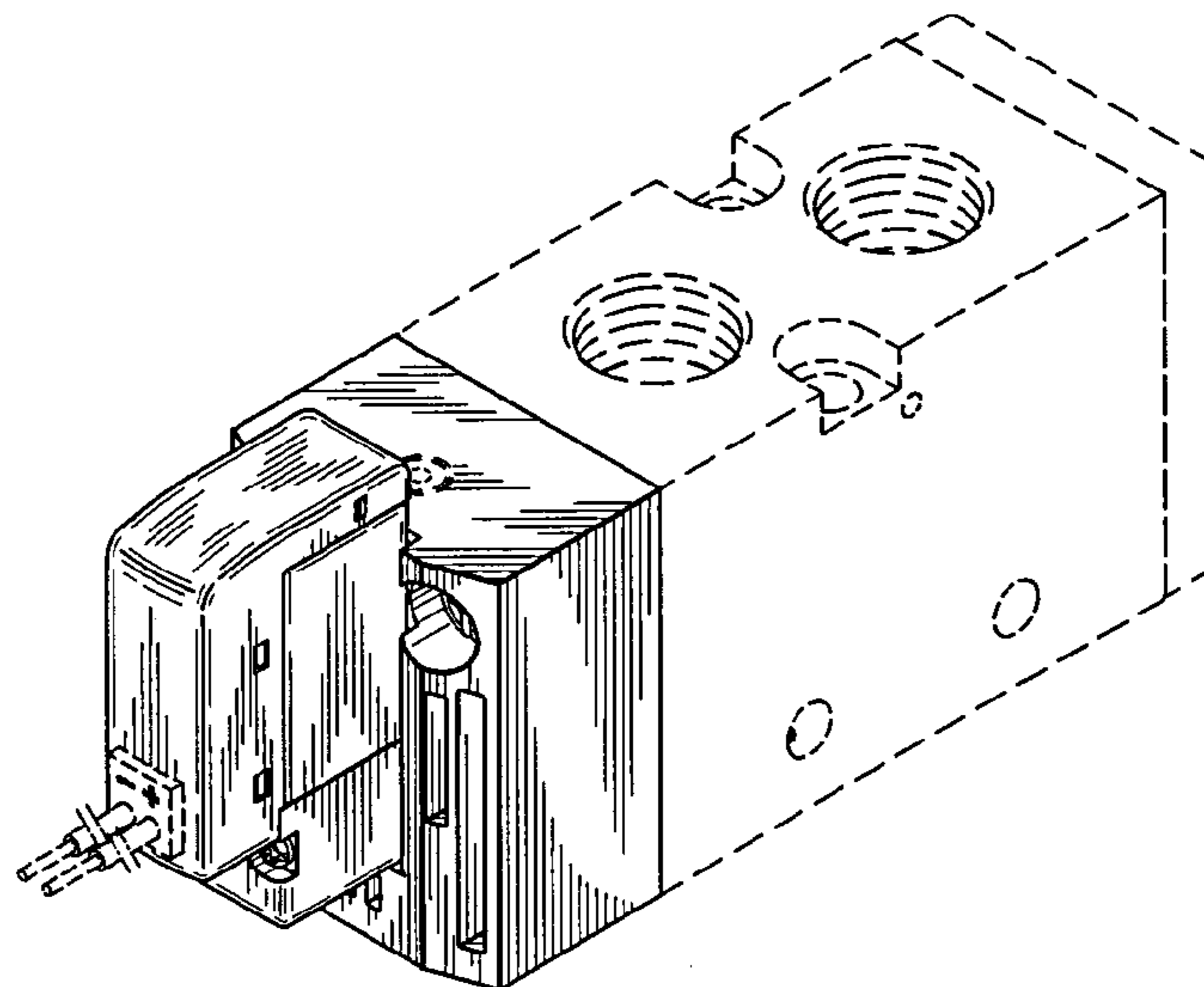


Fig. 1

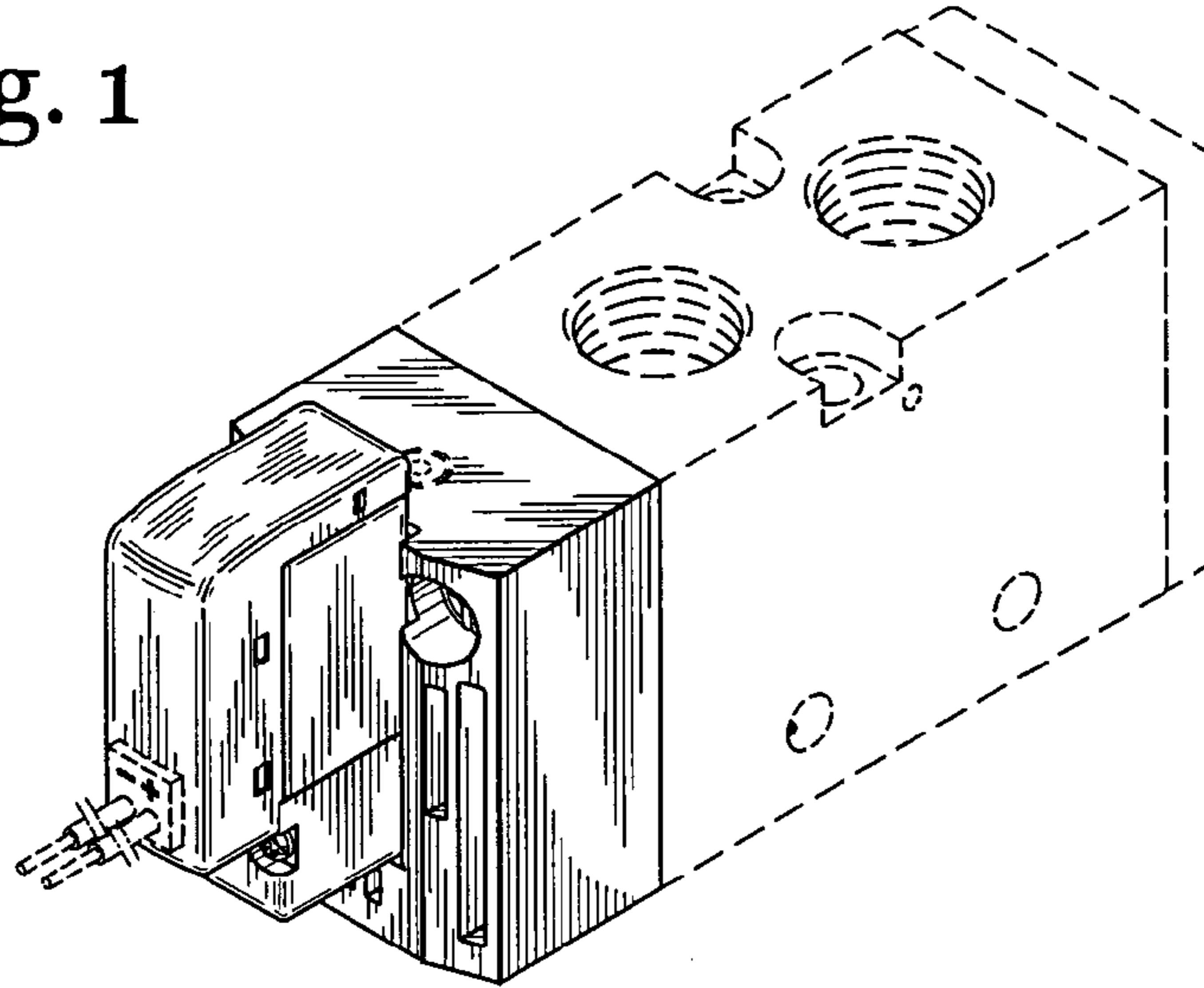


Fig. 2

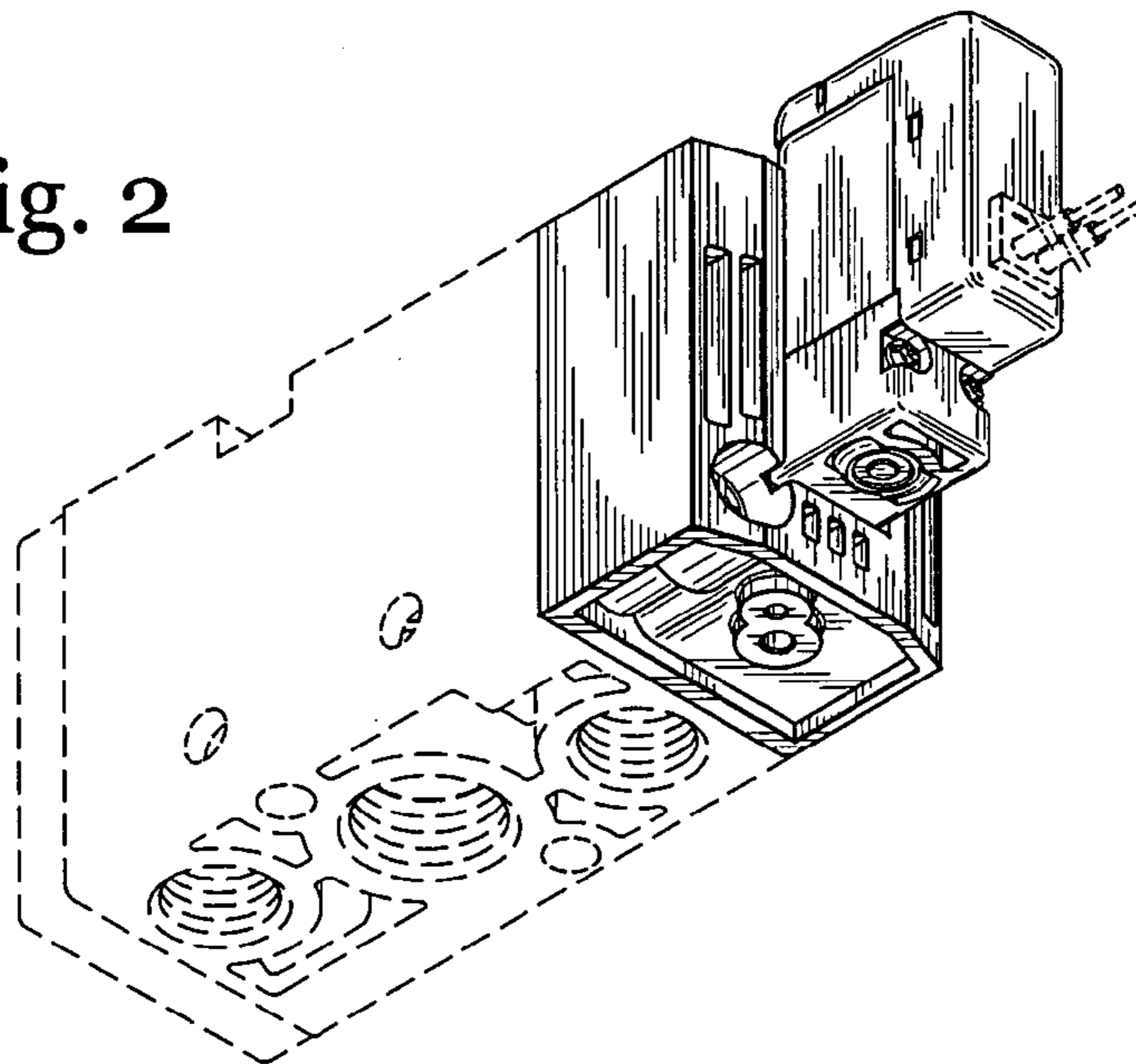


Fig. 3

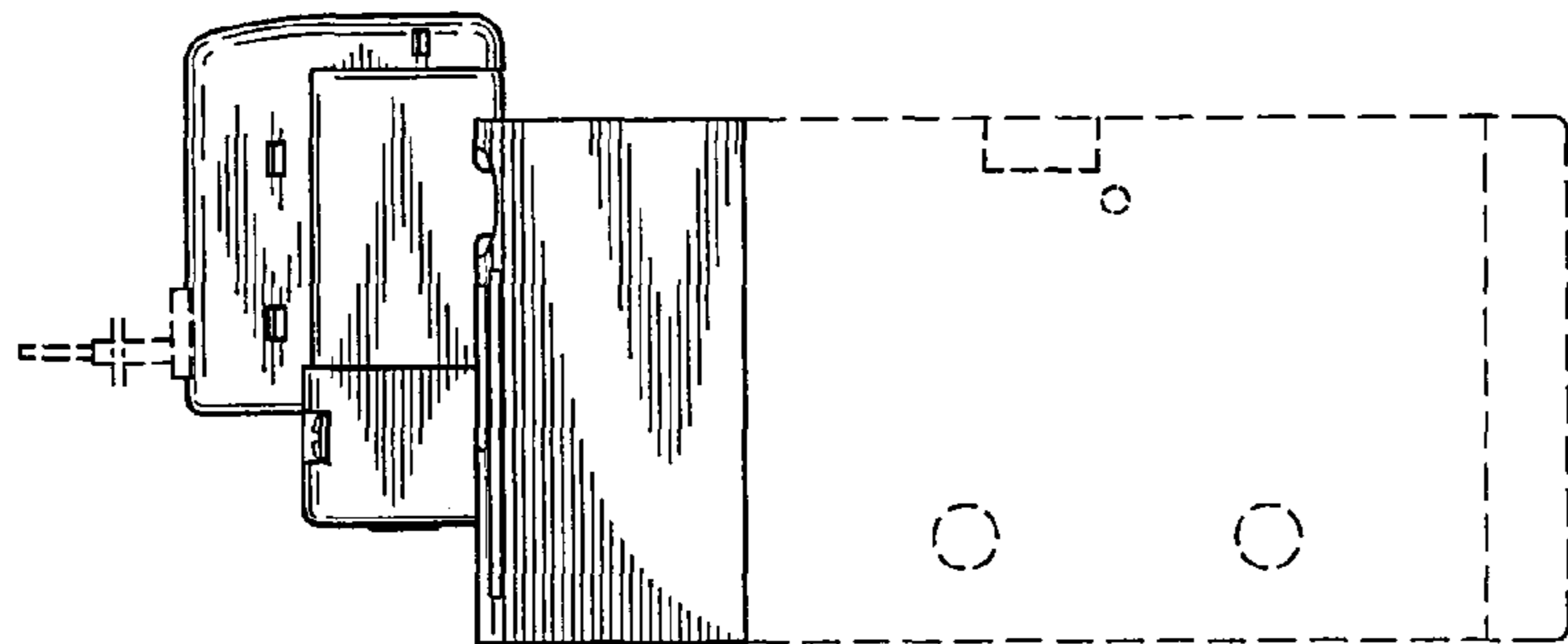


Fig. 4

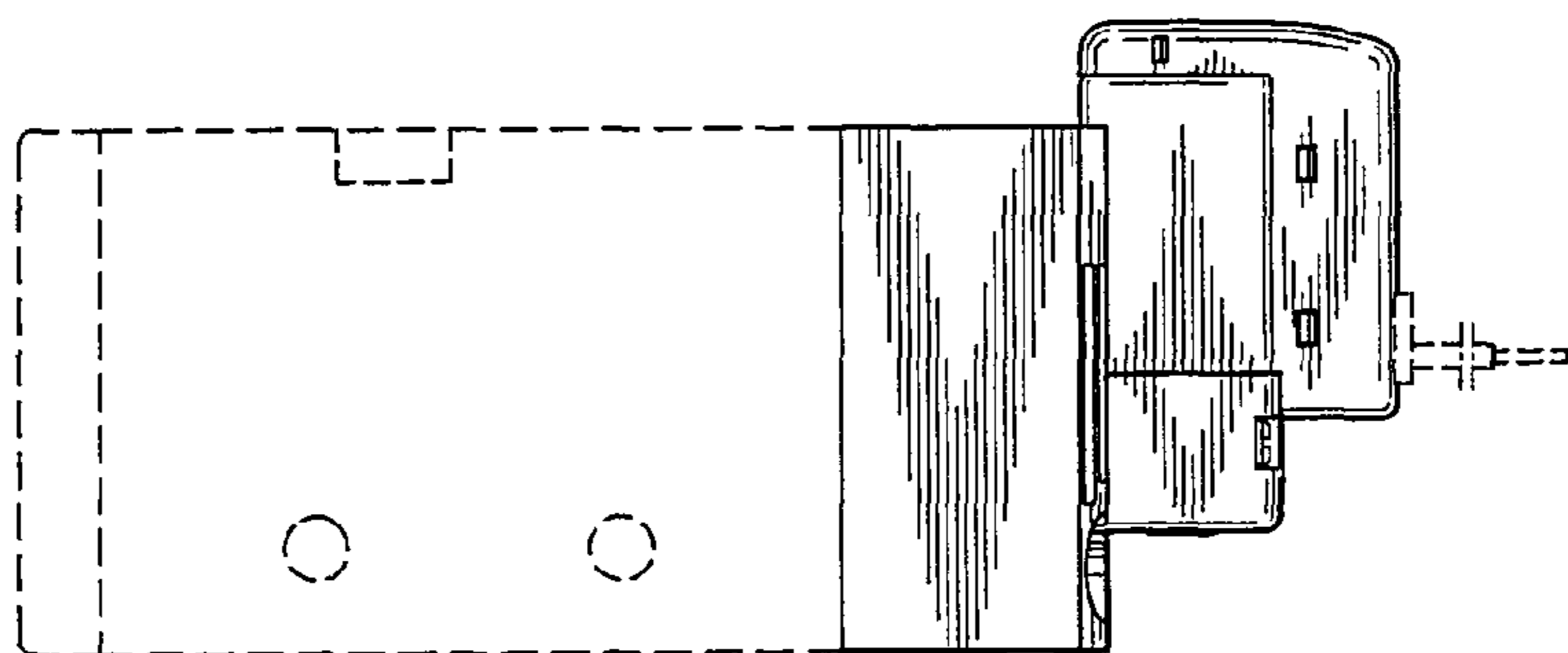


Fig. 5

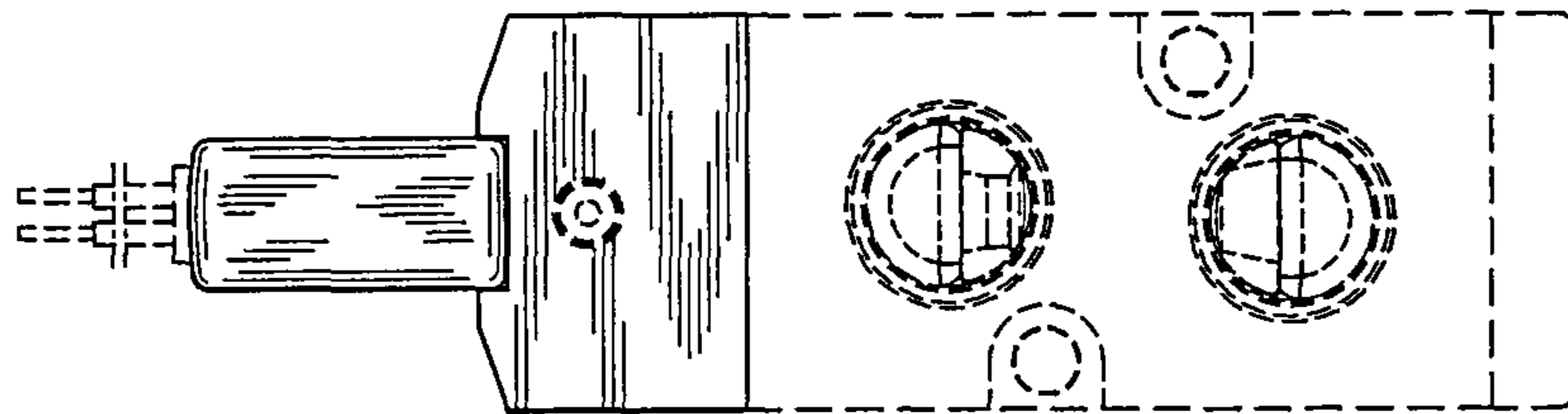


Fig. 6

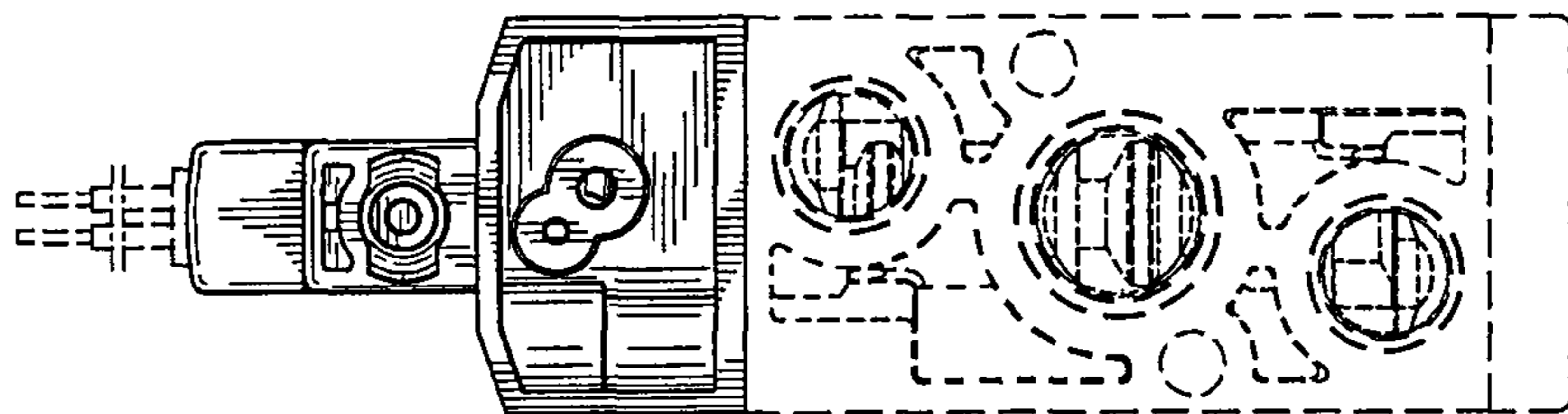


Fig. 7

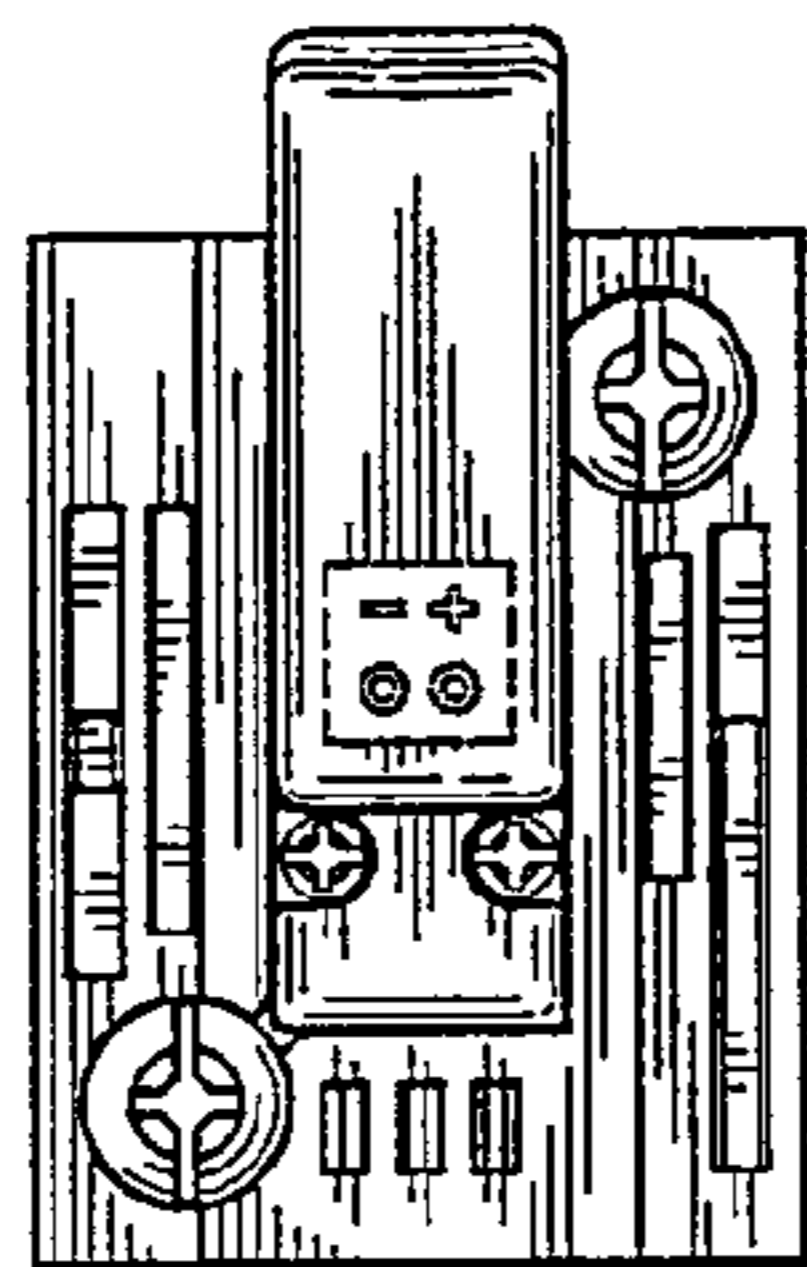


Fig. 8

