



US00D702320S

(12) **United States Design Patent**
Pifer

(10) **Patent No.:** **US D702,320 S**

(45) **Date of Patent:** **** Apr. 8, 2014**

(54) **FUEL TANK VENT VALVE ASSEMBLY**

(75) **Inventor:** **Daniel Lee Pifer**, Chelsea, MI (US)

(73) **Assignee:** **Eaton Corporation**, Cleveland, OH (US)

(**) **Term:** **14 Years**

(21) **Appl. No.:** **29/409,405**

(22) **Filed:** **Dec. 22, 2011**

(51) **LOC (10) Cl.** **23-01**

(52) **U.S. Cl.**

USPC **D23/233**

(58) **Field of Classification Search**

USPC D23/233-237, 244-249; 417/411;
137/140, 636.3, 636.2, 625.4, 625.41,
137/625.17, 625.65

See application file for complete search history.

(56) **References Cited**

U.S. PATENT DOCUMENTS

7,255,131	B2 *	8/2007	Paper et al.	137/625.47
D634,813	S *	3/2011	Hernandez, IV	D23/233
D639,825	S *	6/2011	Murakami et al.	D15/5
D655,393	S *	3/2012	Whitaker	D23/233
D656,223	S *	3/2012	Cronje et al.	D23/233
D675,714	S *	2/2013	Nguyen	D23/233
D681,782	S *	5/2013	Bohm et al.	D23/233
D691,240	S *	10/2013	Iranyi et al.	D23/233
D691,701	S *	10/2013	Iranyi et al.	D23/233
D691,702	S *	10/2013	Iranyi et al.	D23/233
D691,703	S *	10/2013	Iranyi et al.	D23/233

OTHER PUBLICATIONS

U.S. Appl. No. 13/334,519, Fuel Tank Vent Valve Assembly and Method of Assembly, filed Dec. 22, 2011.

* cited by examiner

Primary Examiner — Cynthia Ramirez

(74) *Attorney, Agent, or Firm* — Quinn Law Group, PLLC

(57) **CLAIM**

The ornamental design for a fuel tank vent valve assembly, as shown and described.

DESCRIPTION

This application is related to U.S. patent application Ser. No. 13/334,519 filed on Dec. 22, 2011.

FIG. 1 is a top view of a fuel tank vent valve assembly in accordance with the present teachings.

FIG. 2 is a bottom view of the fuel tank vent valve assembly of FIG. 1.

FIG. 3 is a back view of the fuel tank vent valve assembly of FIG. 1.

FIG. 4 is a front view of the fuel tank vent valve assembly of FIG. 1.

FIG. 5 is a side view of the fuel tank vent valve assembly of FIG. 1.

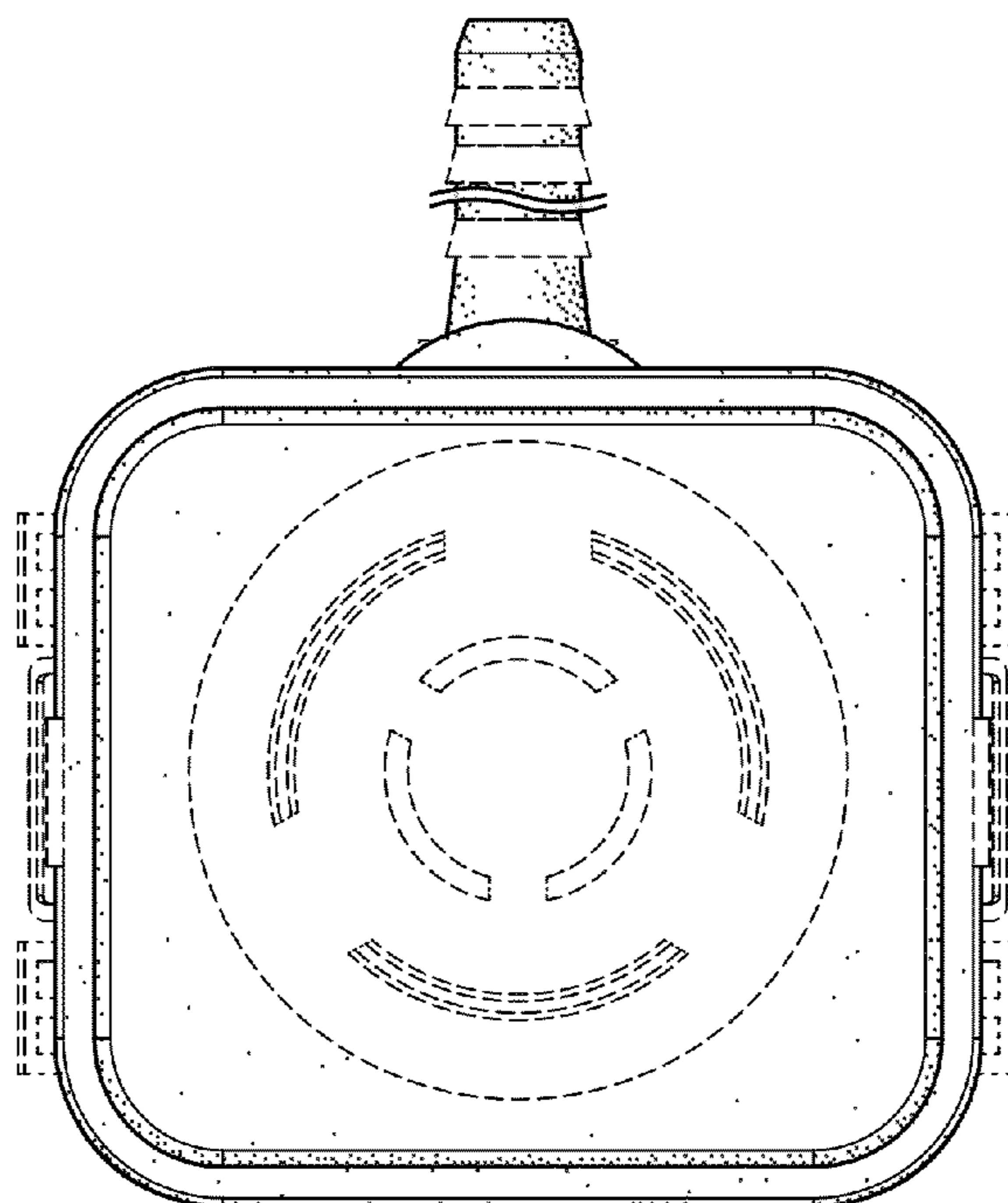
FIG. 6 is a perspective view of the fuel tank vent valve assembly of FIG. 1; and,

FIG. 7 is another perspective view of the fuel tank vent valve assembly of FIG. 1.

The broken line showing portions of the fuel tank vent valve assembly form no part of the claimed design.

The connector protruding from the body of the vent valve is shown broken away to indicate that no specific length is being claimed.

1 Claim, 3 Drawing Sheets



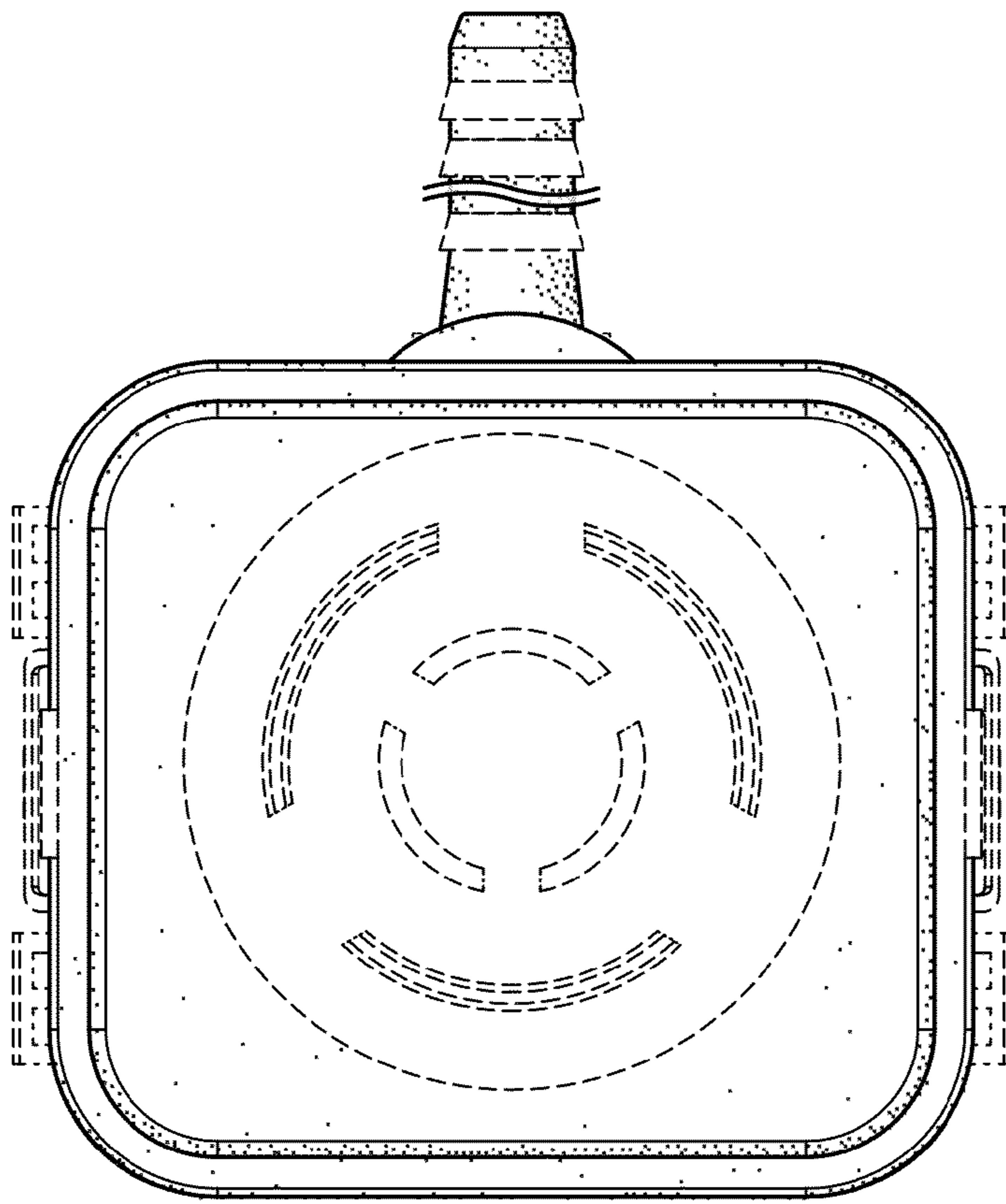


FIG. 1

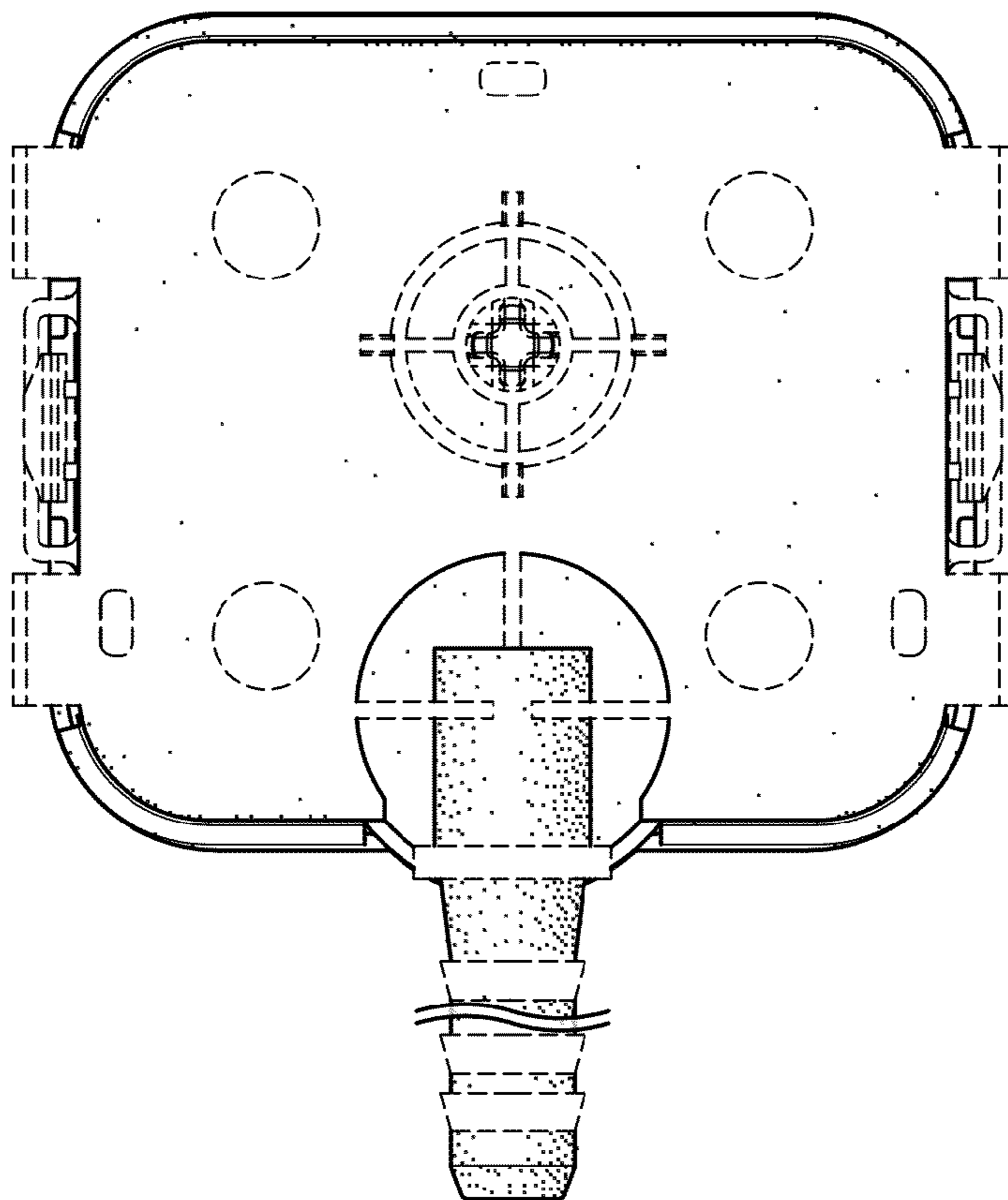


FIG. 2

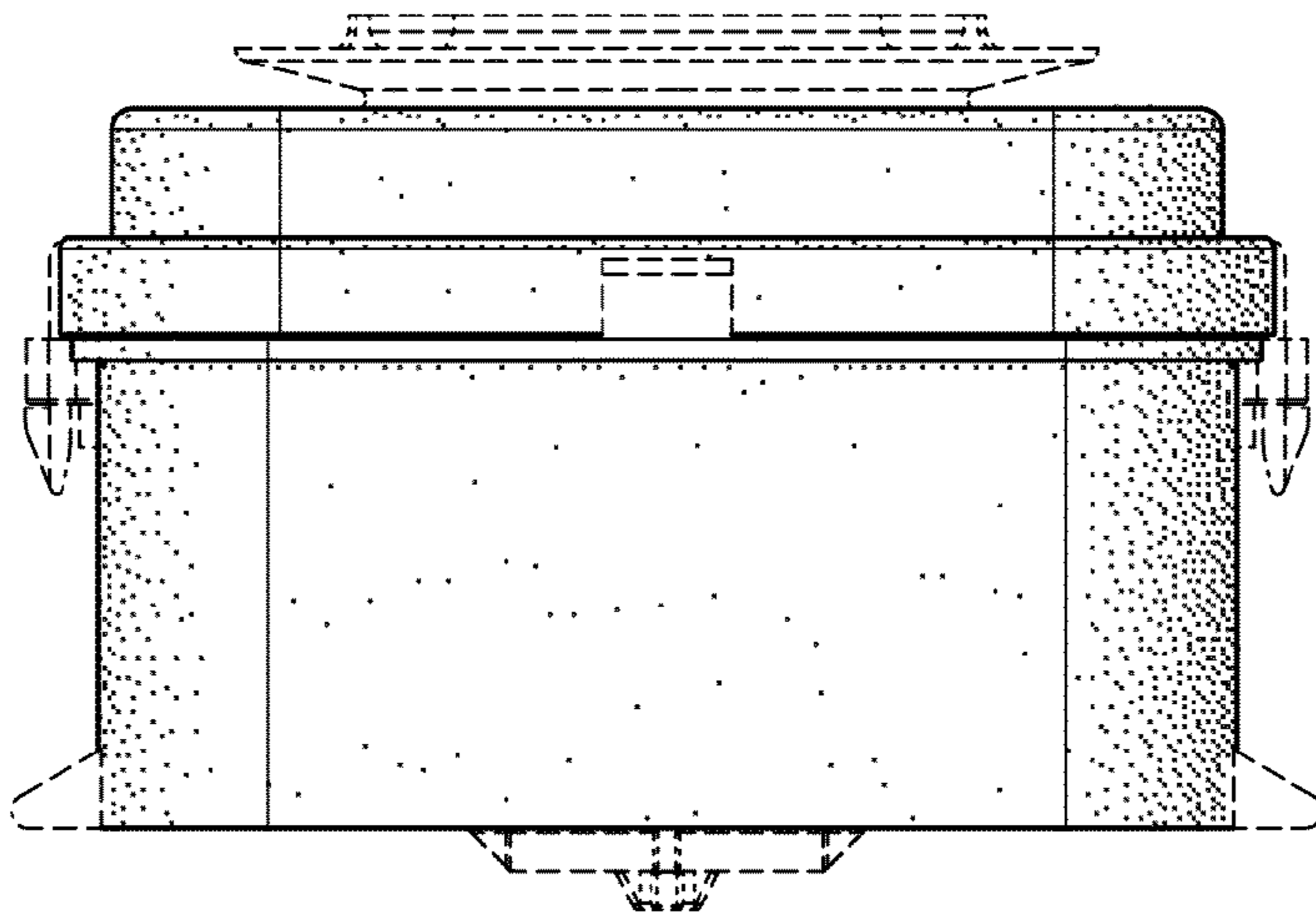


FIG. 3

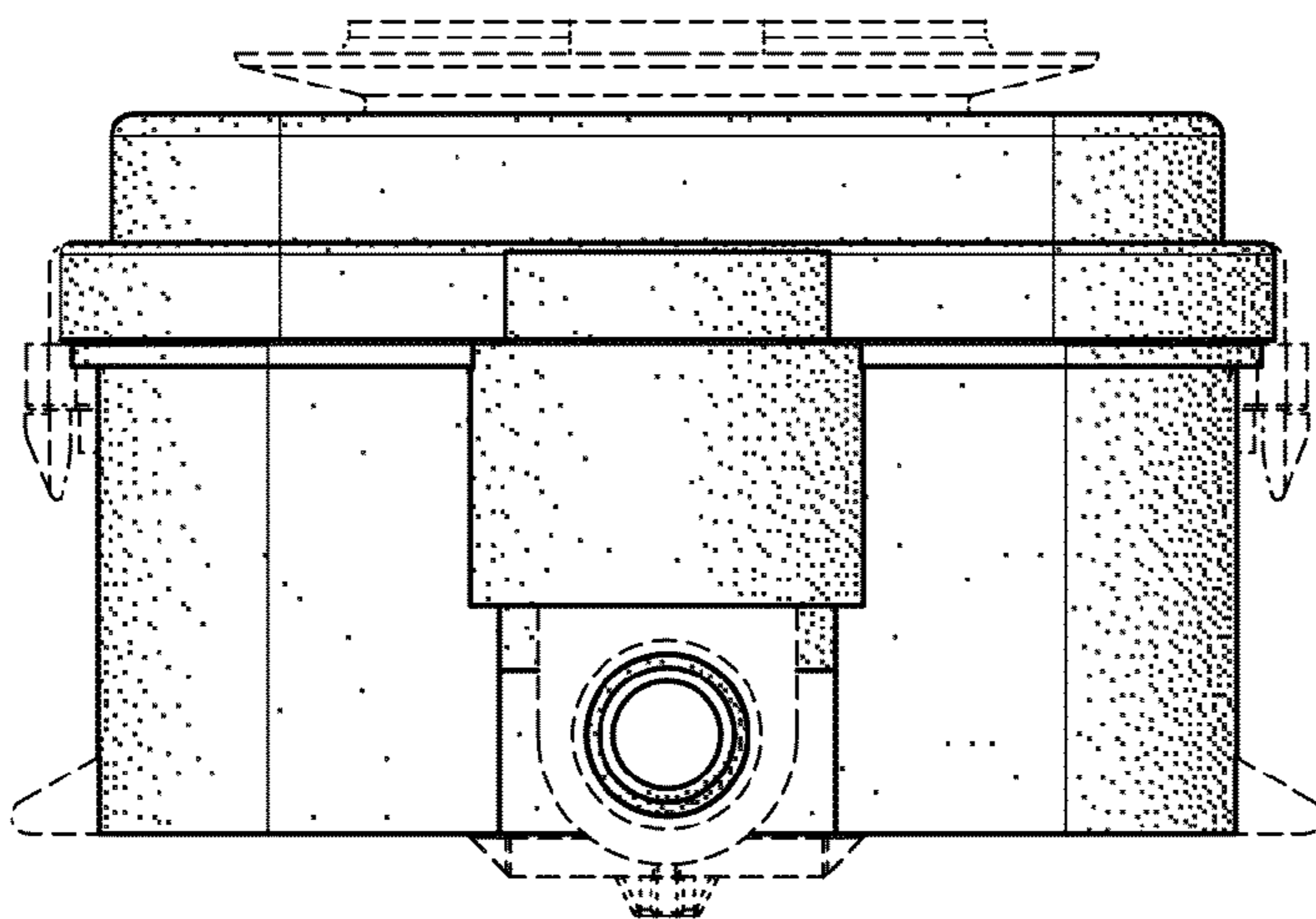


FIG. 4

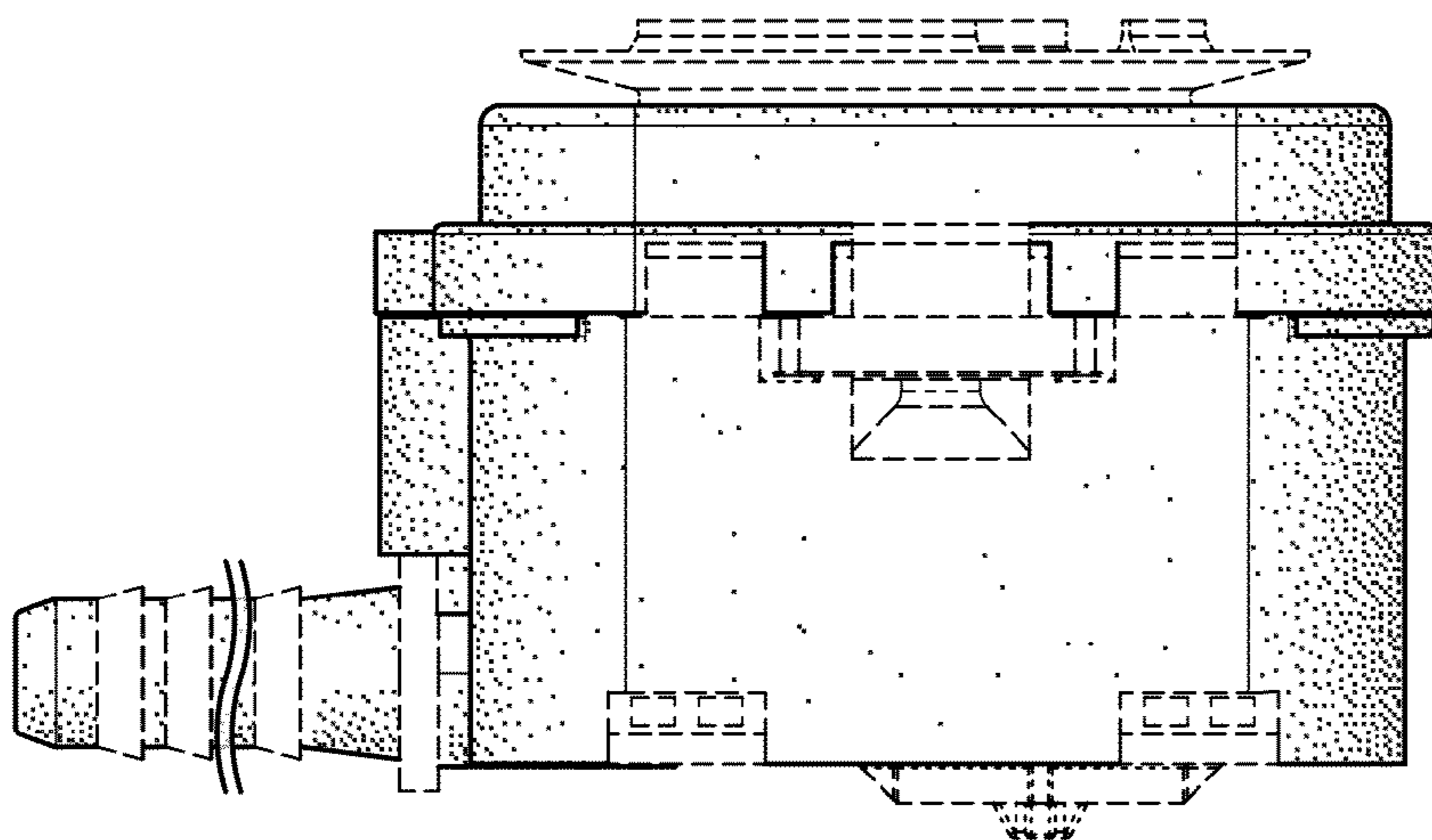


FIG. 5

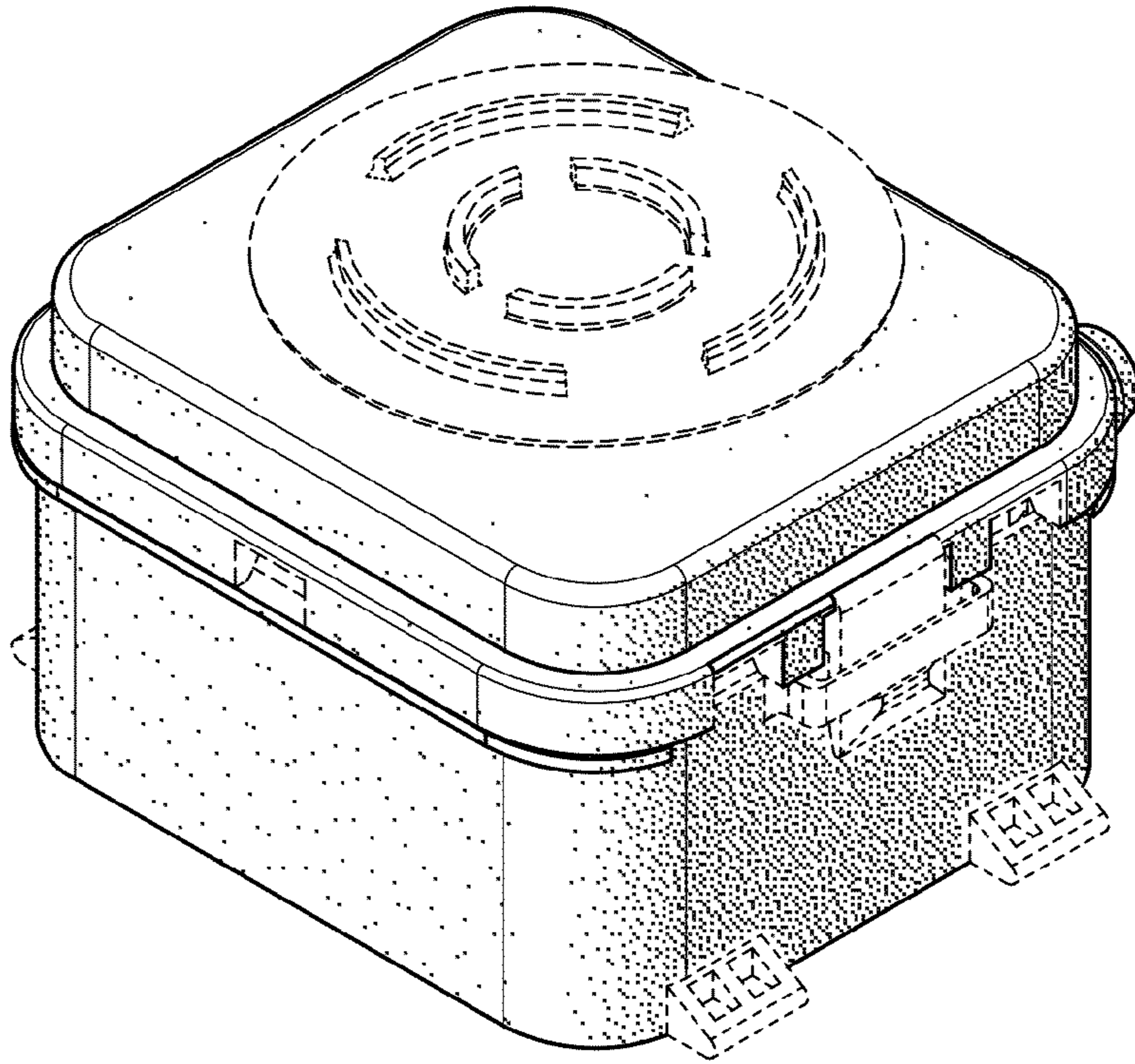


FIG. 6

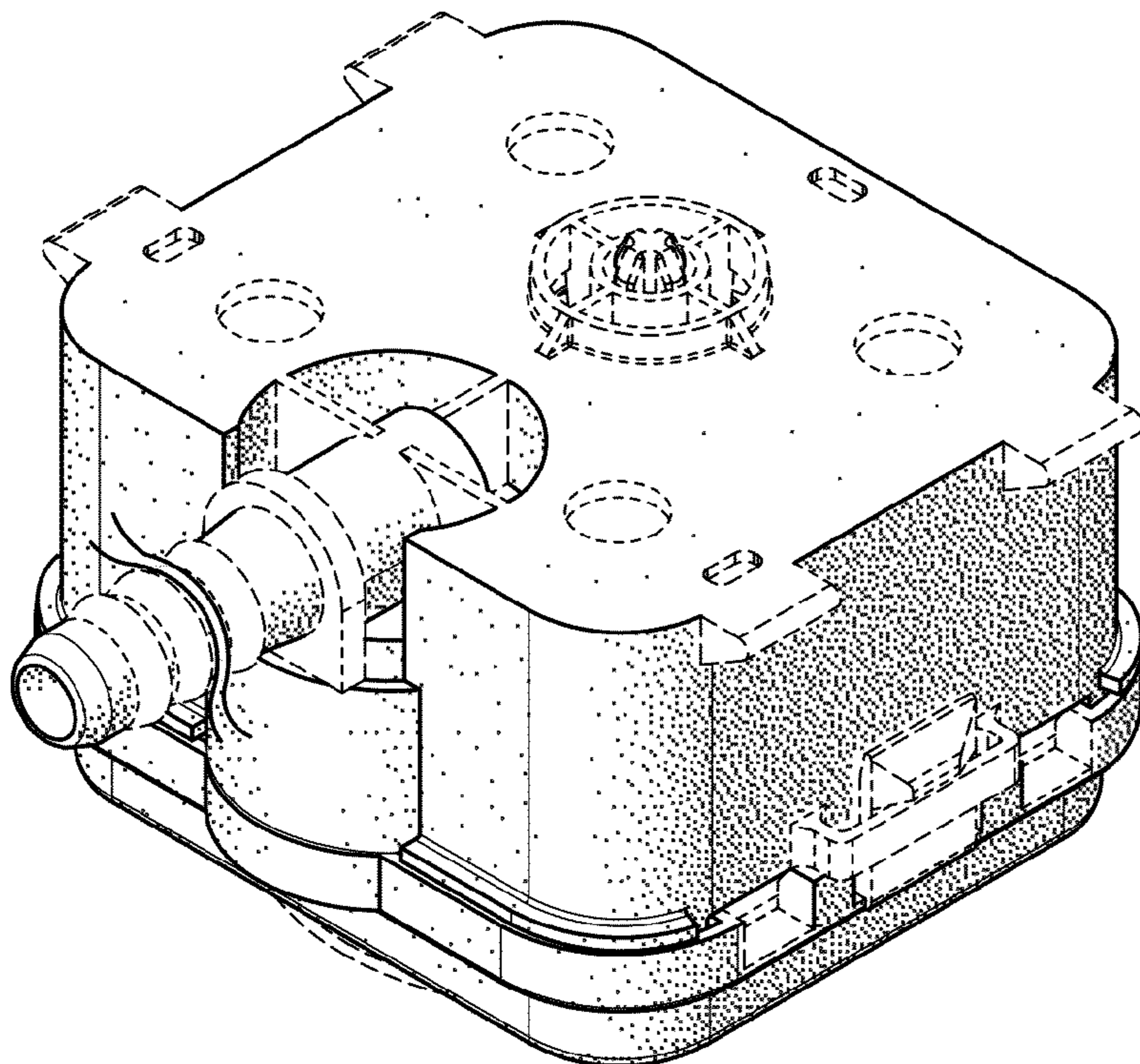


FIG. 7