

US00D702317S

(12) **United States Design Patent**
Nirenberg

(10) **Patent No.:** **US D702,317 S**

(45) **Date of Patent:** **** Apr. 8, 2014**

(54) **ILLUMINATED SPACER FOR A FISHING
ROD HOLDER**

7,147,193 B2 * 12/2006 Slatter 248/314
D607,962 S * 1/2010 Baltes D22/147
D607,963 S * 1/2010 Baltes D22/147

(71) Applicant: **David B. Nirenberg**, Bonita Springs, FL
(US)

* cited by examiner

(72) Inventor: **David B. Nirenberg**, Bonita Springs, FL
(US)

Primary Examiner — Catheri Oliver-Garcia

(74) *Attorney, Agent, or Firm* — Porter, Wright, Morris &
Arthur, LLP

(**) Term: **14 Years**

(21) Appl. No.: **29/462,913**

(22) Filed: **Aug. 9, 2013**

(51) **LOC (10) Cl.** **22-05**

(52) **U.S. Cl.**
USPC **D22/134**

(58) **Field of Classification Search**
USPC D22/134, 147–148, 199; 43/21.2;
403/128, 131, 138; 248/314, 514,
248/534–535, 538

See application file for complete search history.

(56) **References Cited**

U.S. PATENT DOCUMENTS

3,212,740 A * 10/1965 Greenberg 248/514
4,778,141 A * 10/1988 Bogar 248/538

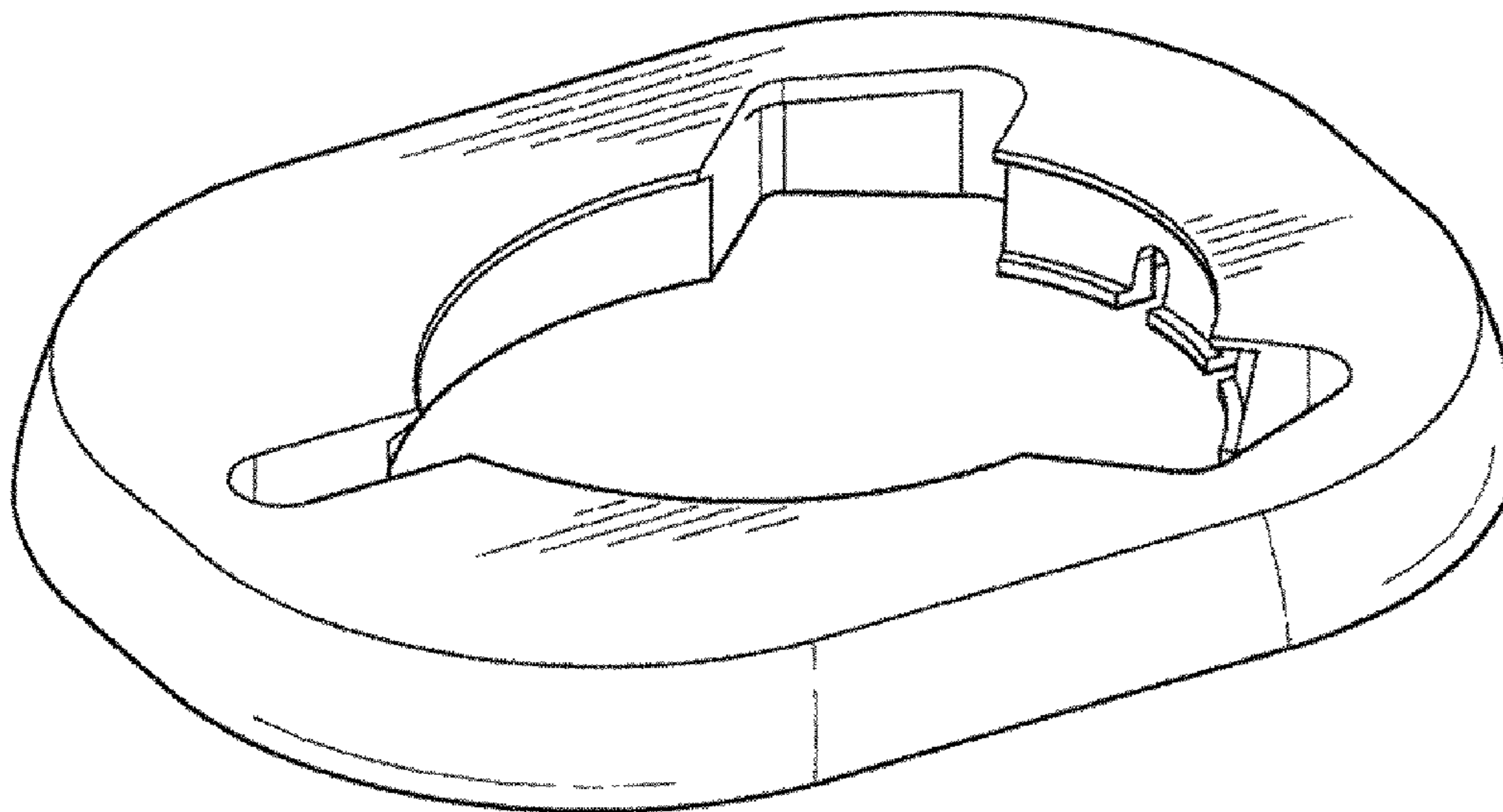
(57) **CLAIM**

The ornamental design for an illuminated spacer for a fishing rod holder, as shown and described.

DESCRIPTION

FIG. 1 is a top perspective view of illuminated spacer for a fishing rod holder according to my new design;
FIG. 2 is a bottom perspective view thereof;
FIG. 3 is a top view thereof;
FIG. 4 is a bottom view thereof;
FIG. 5 is a front view thereof, the rear view being the same;
and,
FIG. 6 is a right-side view thereof, the left-side view being the same.

1 Claim, 3 Drawing Sheets



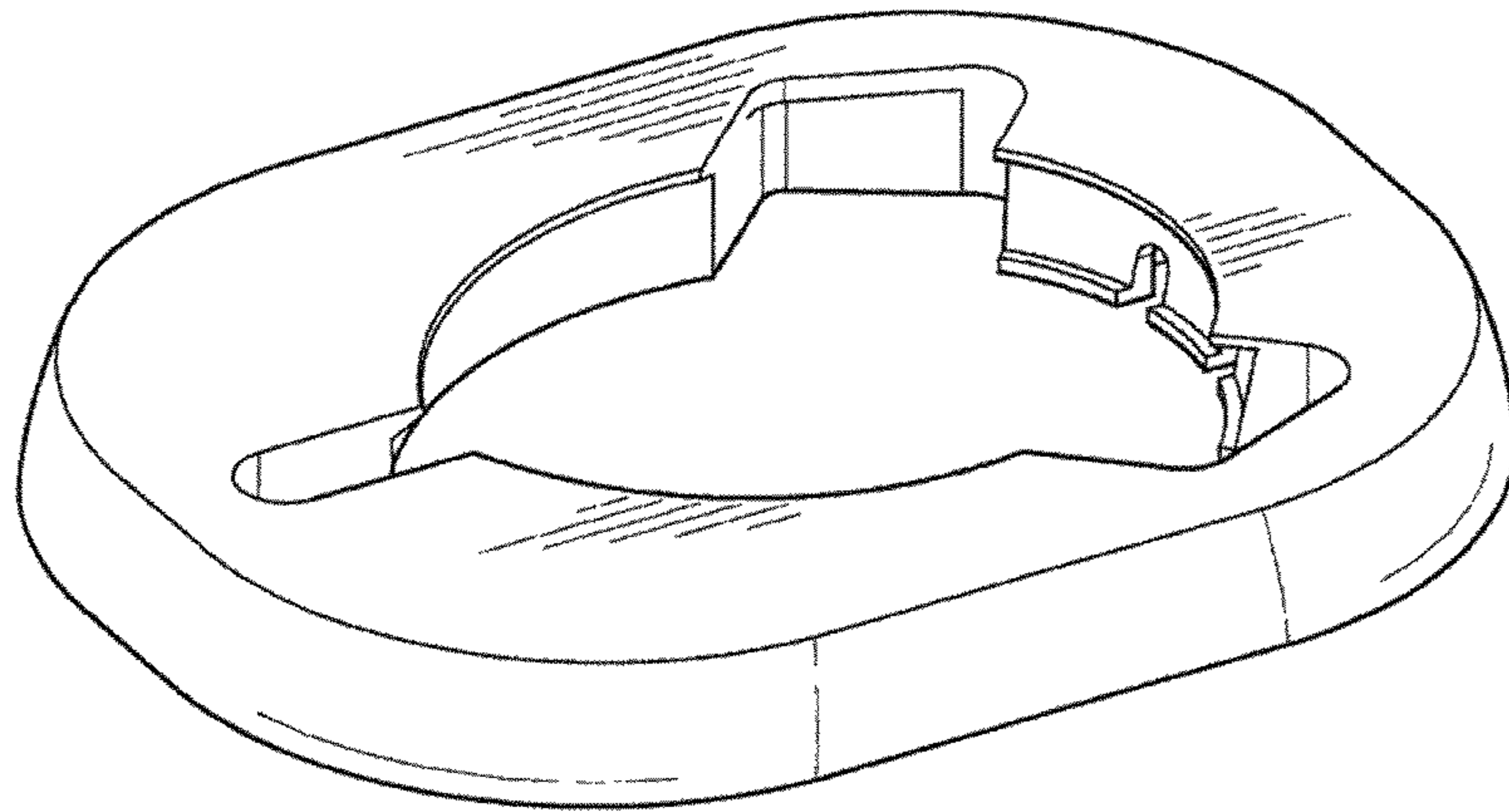


FIG. 1

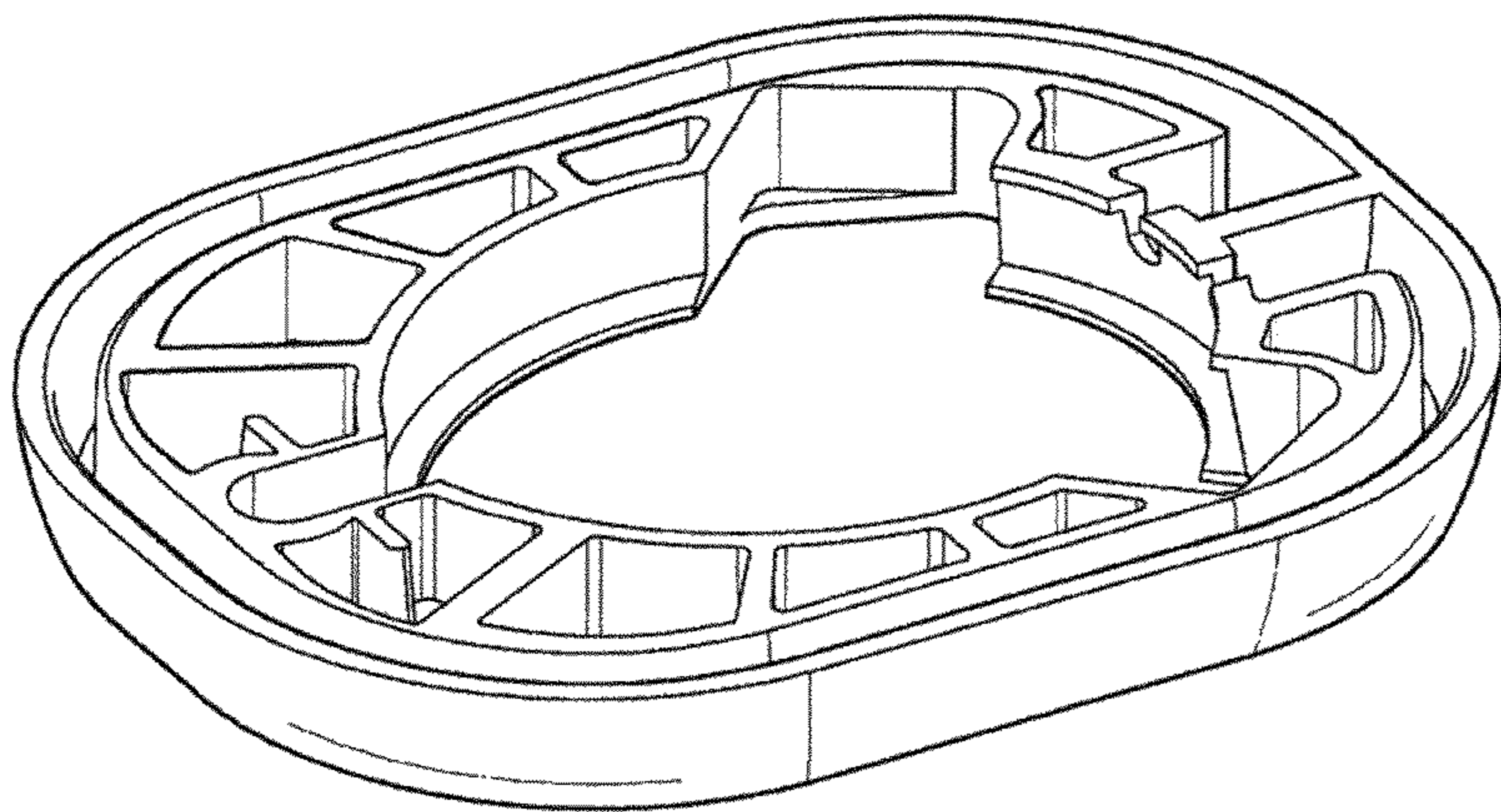


FIG. 2

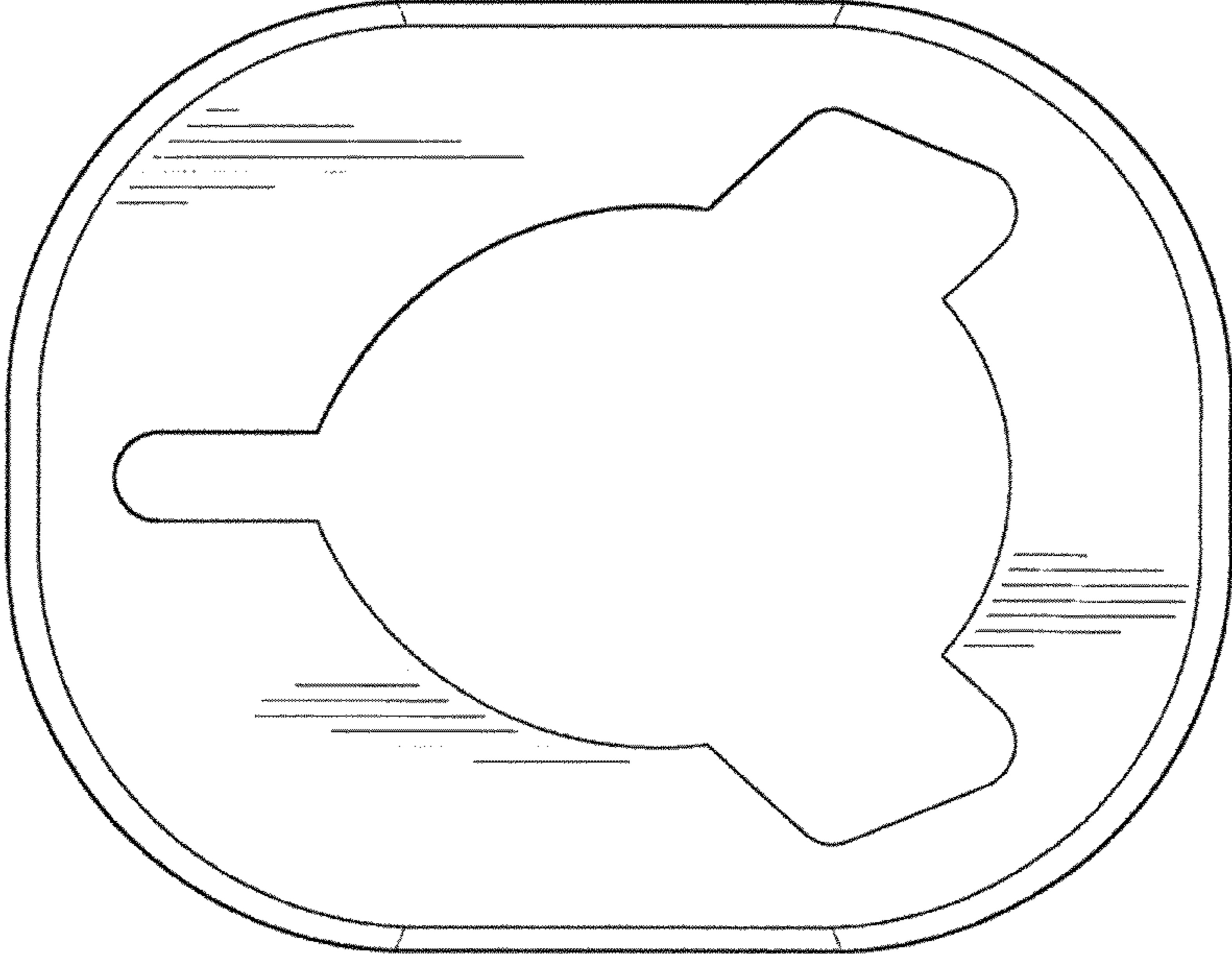


FIG. 3

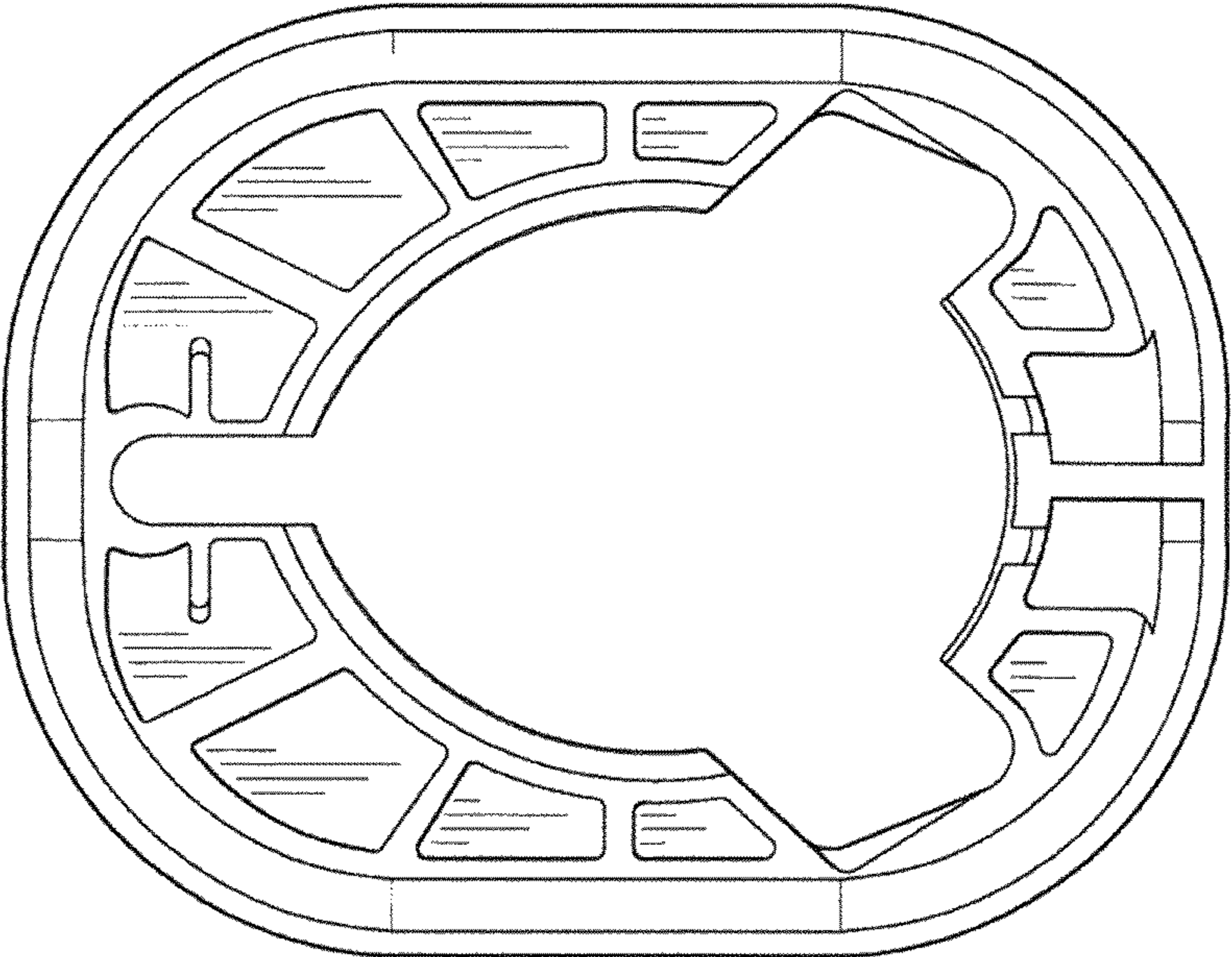


FIG. 4



FIG. 5

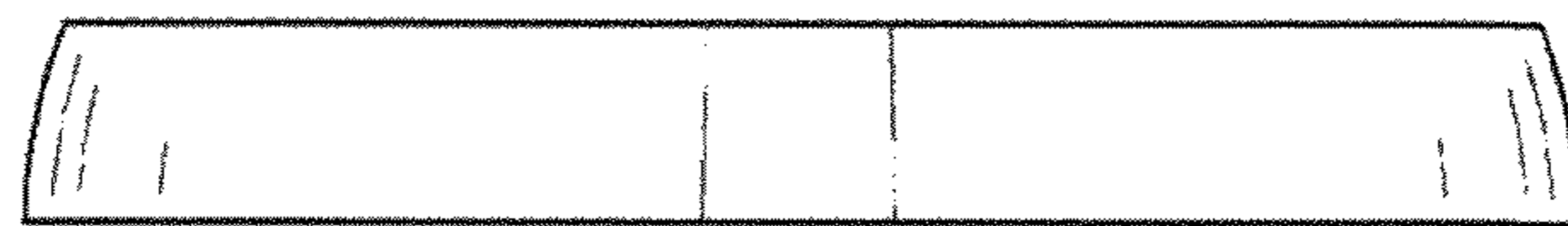


FIG. 6