



US00D702306S

(12) **United States Design Patent**
Westley

(10) **Patent No.:** **US D702,306 S**

(45) **Date of Patent:** **** Apr. 8, 2014**

- (54) **LAMINATED BILLIARD RACK**
- (71) Applicant: **William G Westley**, Birdsboro, PA (US)
- (72) Inventor: **William G Westley**, Birdsboro, PA (US)
- (**) Term: **14 Years**
- (21) Appl. No.: **29/448,064**
- (22) Filed: **Mar. 8, 2013**
- (51) **LOC (10) Cl.** **21-01**
- (52) **U.S. Cl.**
USPC **D21/782**
- (58) **Field of Classification Search**
USPC D21/782-784, 385; 473/40, 41
See application file for complete search history.

- D577,407 S * 9/2008 Taggart et al. D21/782
- D577,790 S 9/2008 Yovanovich et al.
- D588,669 S * 3/2009 Taggart et al. D21/782
- D595,383 S * 6/2009 Taggart et al. D21/782
- 7,785,209 B1 * 8/2010 Targosz et al. 473/40
- 8,216,078 B1 7/2012 Yovanovich et al.

* cited by examiner

Primary Examiner — Prabhakar Deshmukh

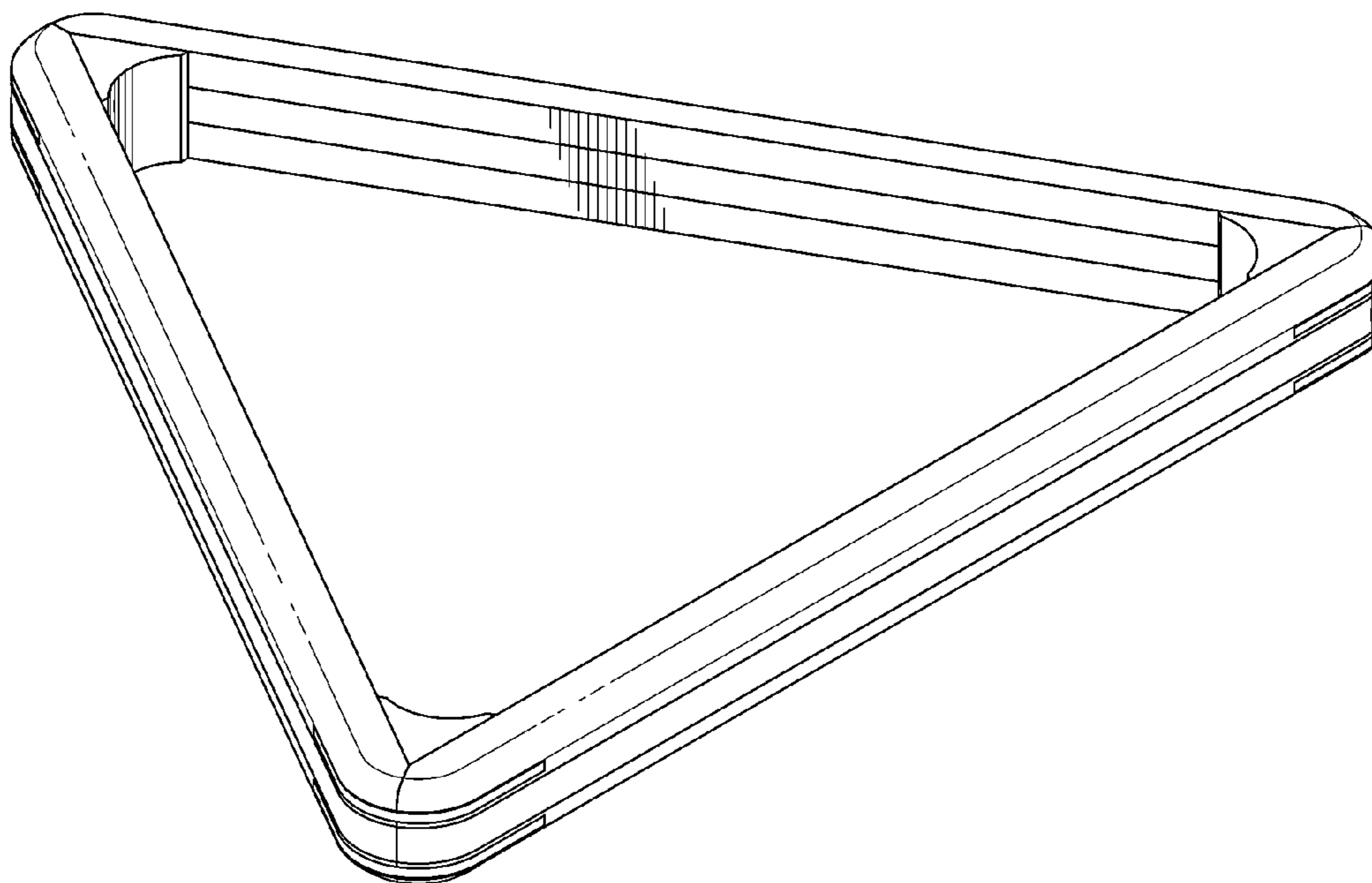
(57) **CLAIM**
The ornamental design for a laminated billiard rack, as shown and described.

DESCRIPTION

FIG. 1 is a perspective view of a laminated billiard rack showing my new design;
 FIG. 2 is a side elevation view thereof;
 FIG. 3 is a side elevation view depicting the opposite side of FIG. 2;
 FIG. 4 is a top plan view thereof;
 FIG. 5 is a front elevation view thereof;
 FIG. 6 is a bottom plan view thereof;
 FIG. 7 is a perspective view of an another embodiment of FIG. 1;
 FIG. 8 is an enlarged partial sectional view taken along line 8-8 of FIG. 4; and,
 FIG. 9 is an enlarged partial elevation of FIG. 7.

1 Claim, 3 Drawing Sheets

- (56) **References Cited**
U.S. PATENT DOCUMENTS
- 2,422,939 A * 6/1947 Volpe 473/40
- 4,452,450 A 6/1984 Cayton
- 4,469,328 A 9/1984 Pacitti
- 4,591,051 A 5/1986 Lowman
- 4,903,965 A * 2/1990 Smith 473/40
- 5,376,054 A * 12/1994 Kwasny et al. 473/40
- D367,306 S * 2/1996 Fiscella D21/782
- 5,556,341 A * 9/1996 Bonn, Jr. 473/40
- D454,380 S * 3/2002 Porper D21/782
- D529,116 S * 9/2006 Hathcock D21/782



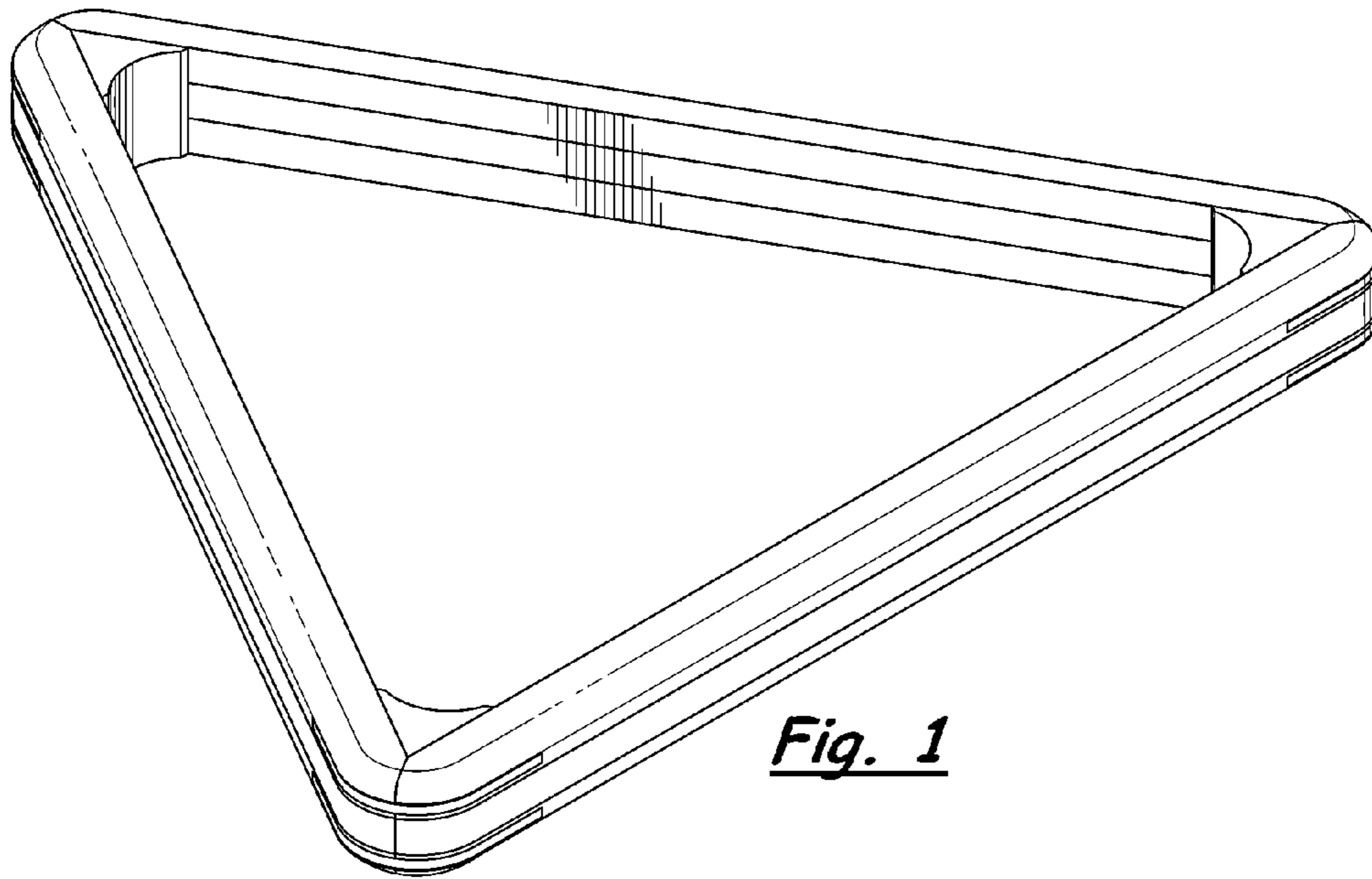


Fig. 1

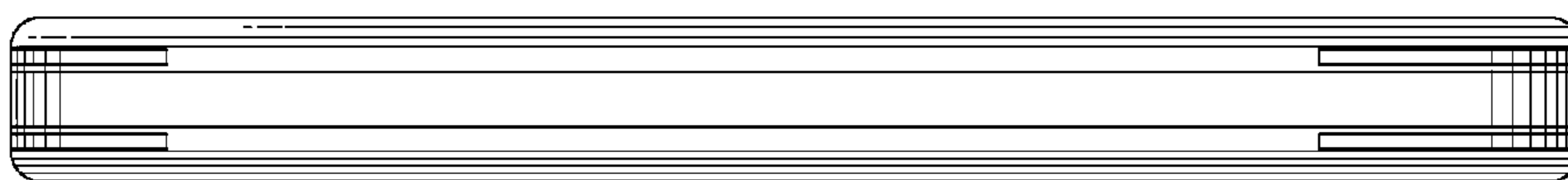


Fig. 2

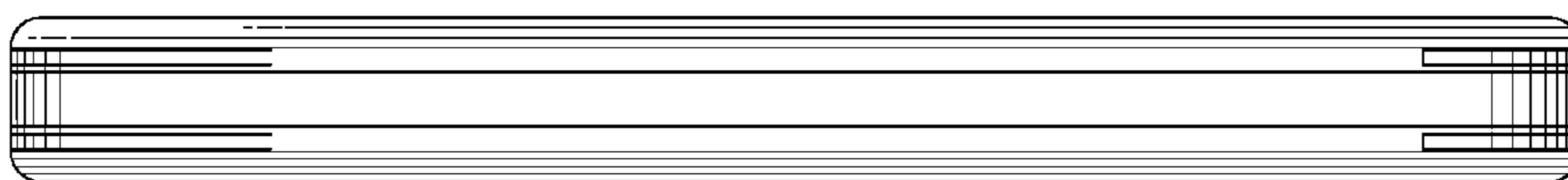


Fig. 3



Fig. 5

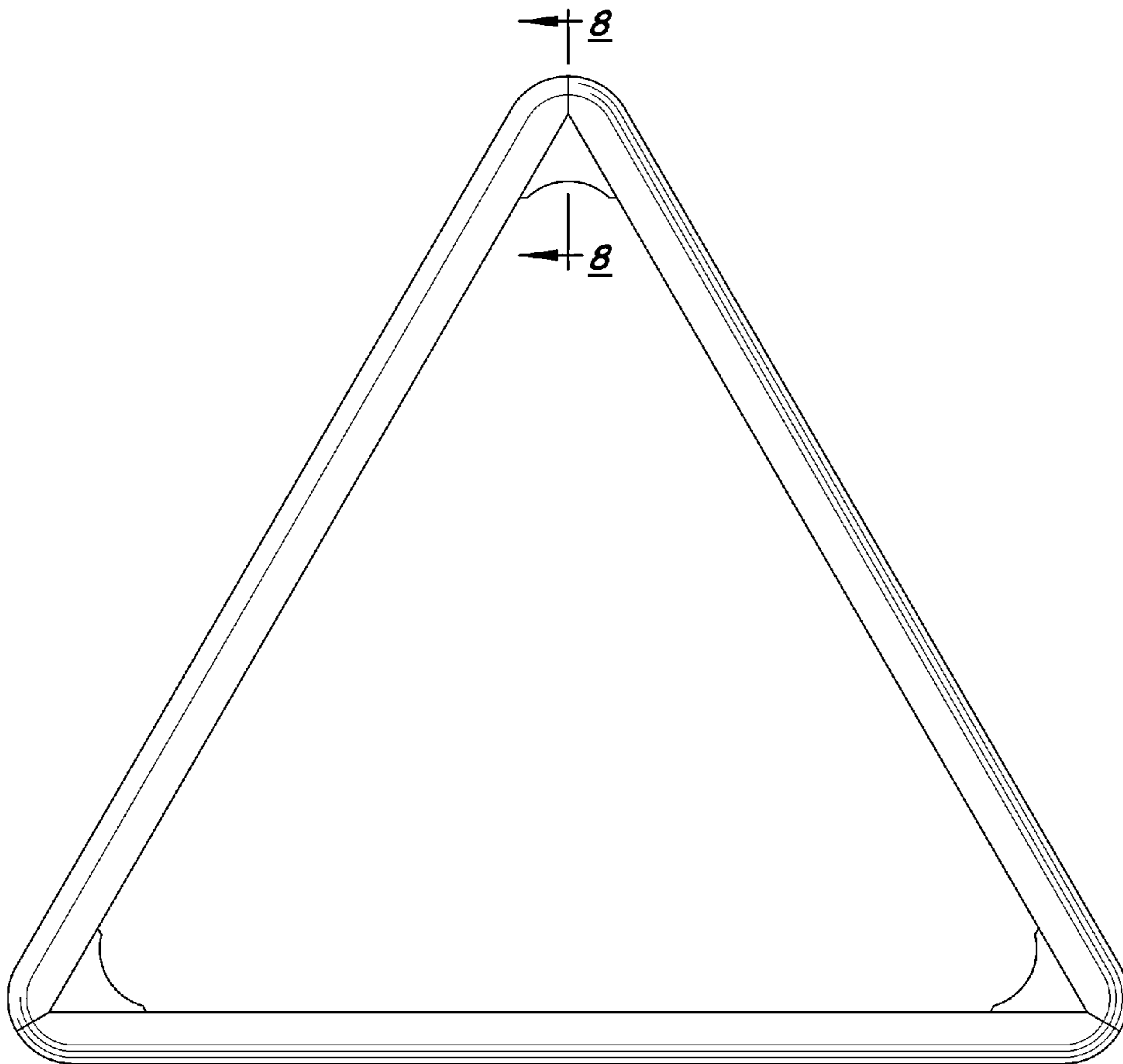


Fig. 4

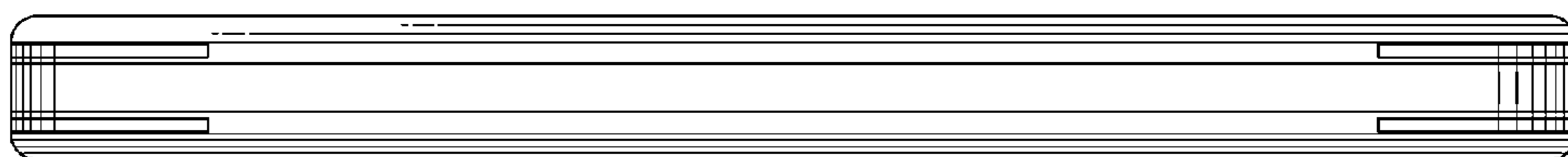


Fig. 6

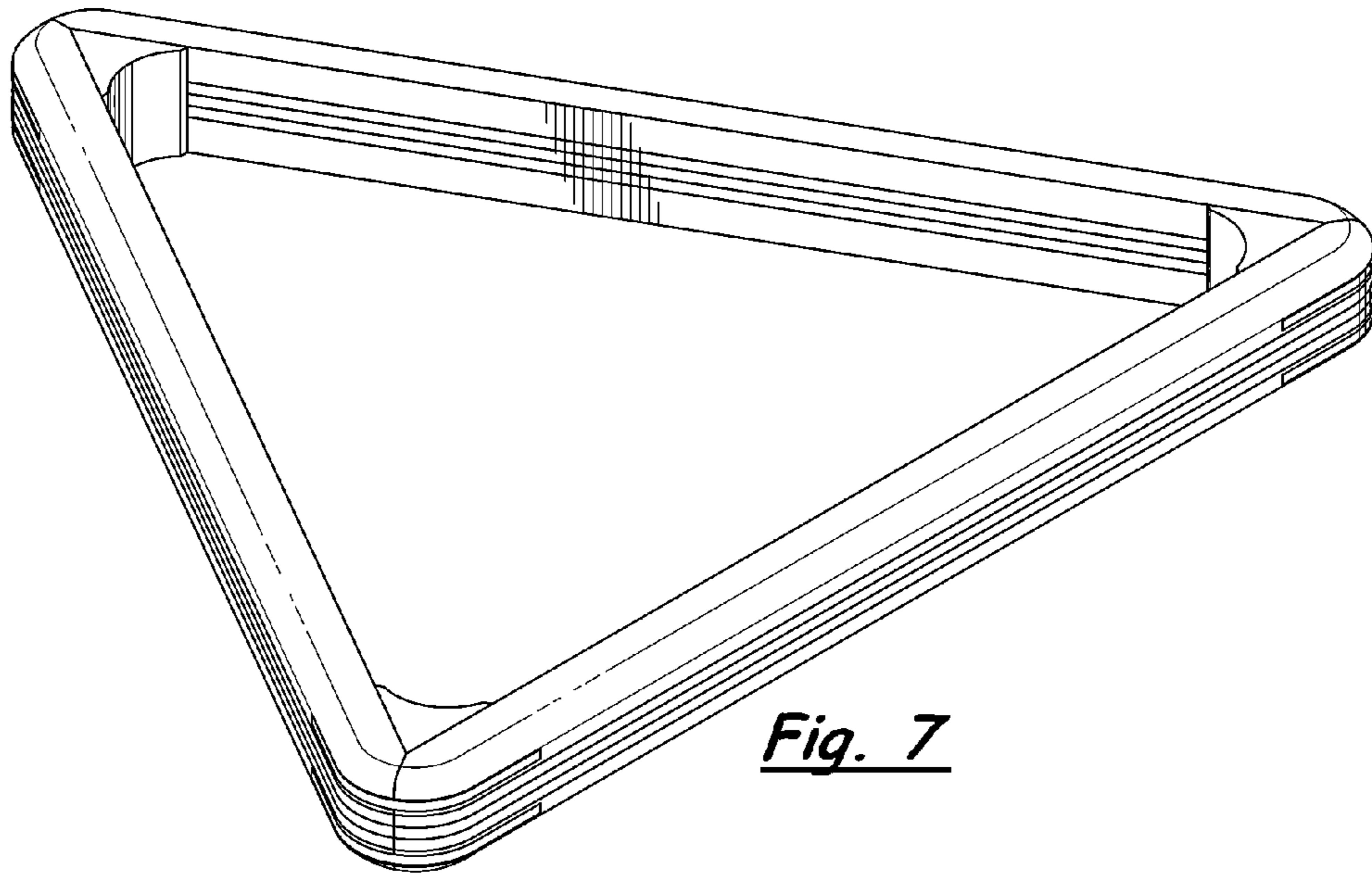


Fig. 7

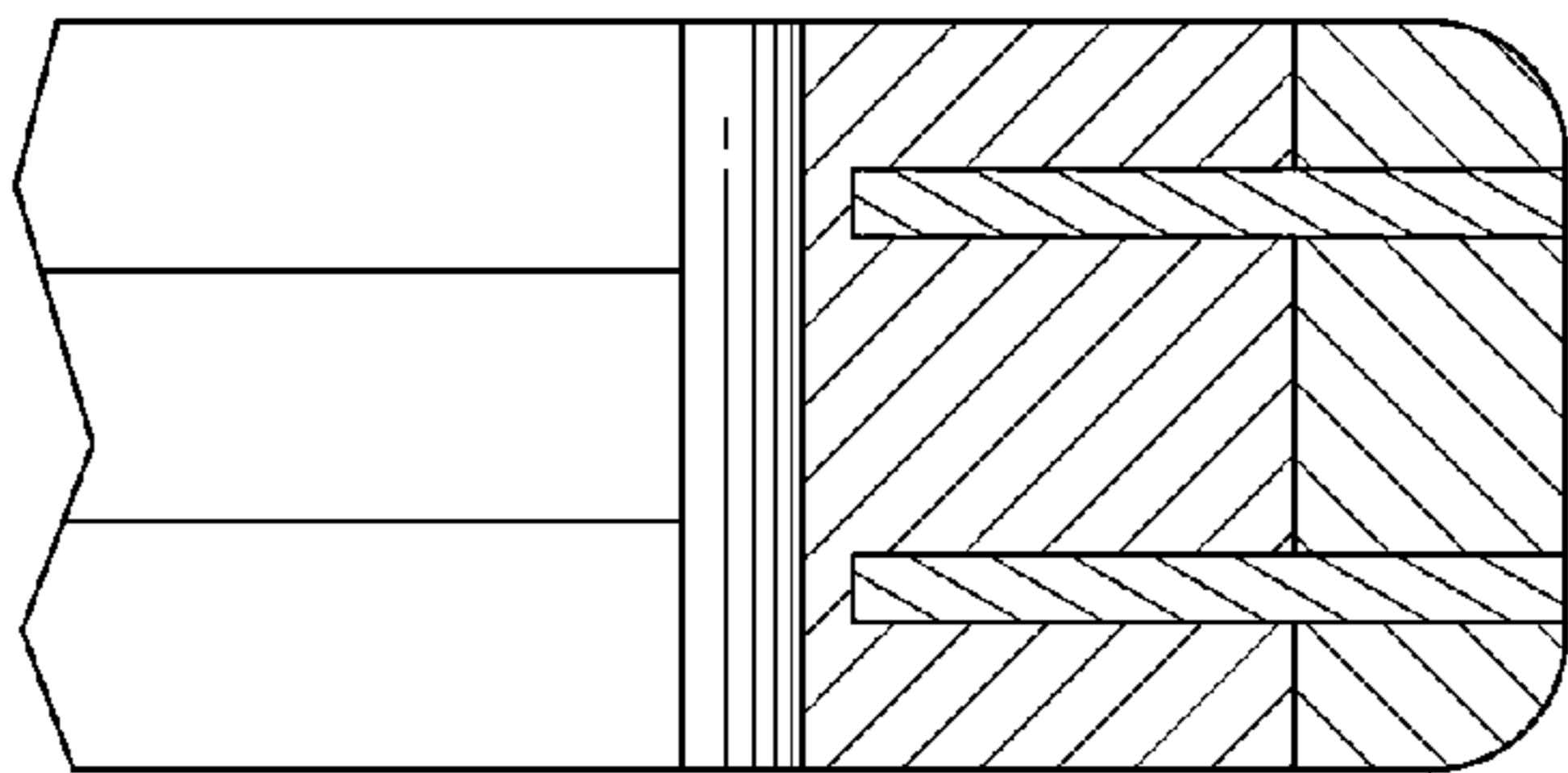


Fig. 8

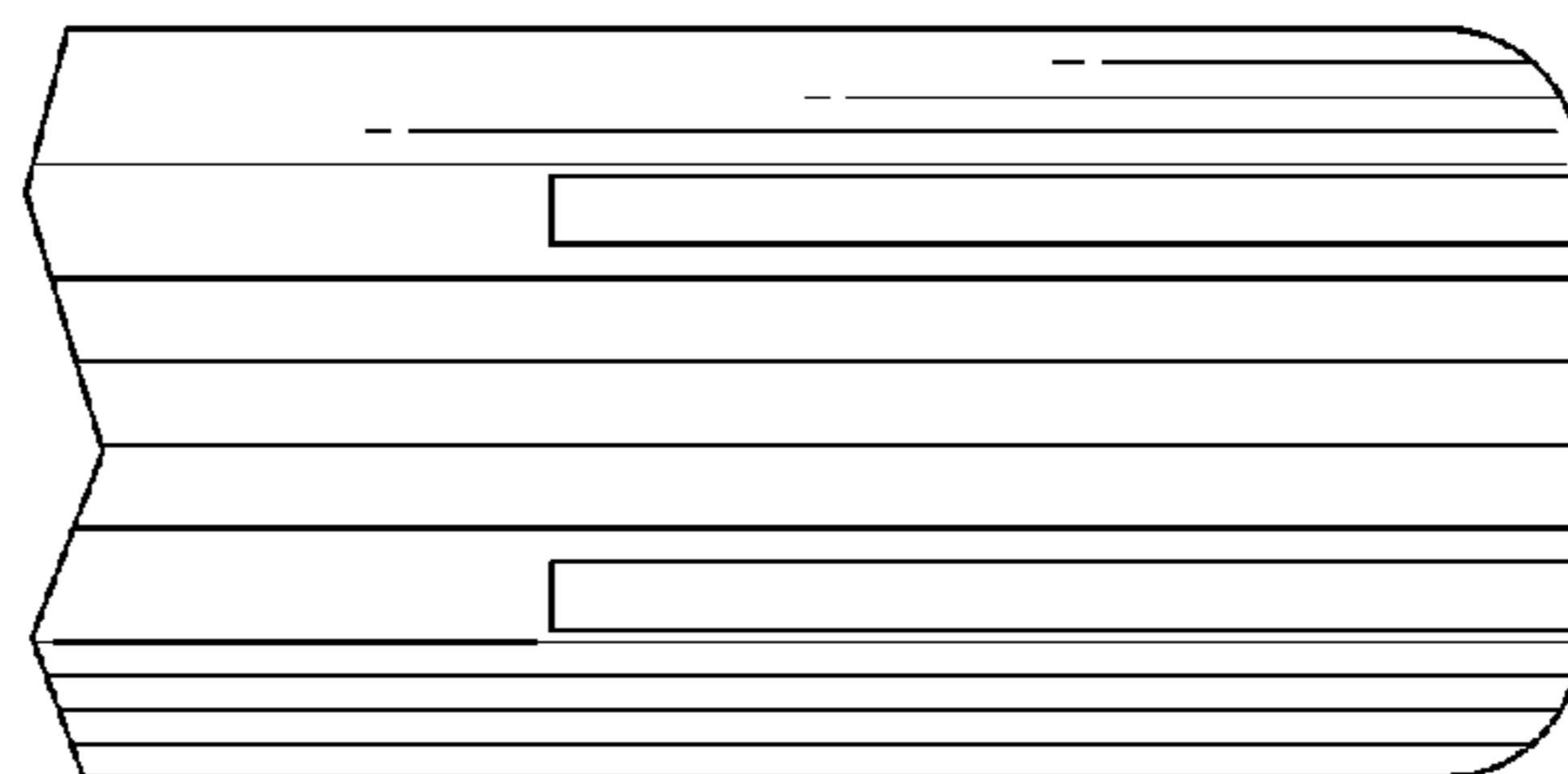


Fig. 9