

US00D702299S

(12) **United States Design Patent**
Ho et al.

(10) **Patent No.:** **US D702,299 S**
(45) **Date of Patent:** **** Apr. 8, 2014**

(54) **ABDOMEN EXERCISE MACHINE**

(56) **References Cited**

(71) Applicants: **Wei-Teh Ho**, Taipei (TW); **Willy Ho**,
Taipei (TW); **Michael Edward Casey**,
Austin, TX (US)

(72) Inventors: **Wei-Teh Ho**, Taipei (TW); **Willy Ho**,
Taipei (TW); **Michael Edward Casey**,
Austin, TX (US)

(**) Term: **14 Years**

(21) Appl. No.: **29/443,880**

(22) Filed: **Jan. 23, 2013**

U.S. PATENT DOCUMENTS

4,846,465	A *	7/1989	Iams et al.	482/132
D425,585	S *	5/2000	Wu	D21/676
6,440,045	B1 *	8/2002	Gaston	482/140
7,232,404	B2 *	6/2007	Nelson	482/140
D567,312	S *	4/2008	Tsai	D21/688
7,662,076	B1 *	2/2010	Ho	482/130
D626,608	S *	11/2010	Tsai	D21/689
D631,519	S *	1/2011	Chen	D21/689
7,878,957	B1 *	2/2011	Chen	482/140
8,052,583	B1 *	11/2011	Tsai	482/96
8,105,221	B2 *	1/2012	Splane	482/147
D659,777	S *	5/2012	Watterson et al.	D21/689
2008/0207415	A1 *	8/2008	Tsai	482/147

* cited by examiner

Primary Examiner — Phillip S Hyder

(74) *Attorney, Agent, or Firm* — Blakely Sokoloff Taylor & Zafman LLP

Related U.S. Application Data

(63) Continuation-in-part of application No. 29/421,829,
filed on Oct. 1, 2012.

Foreign Application Priority Data

Jun. 14, 2012 (CN) 2012 3 0249736

(51) **LOC (10) Cl.** **21-02**

(52) **U.S. Cl.**
USPC **D21/686; D21/687**

(58) **Field of Classification Search**
USPC D21/662, 674, 676, 686, 687, 688, 689,
D21/694; 482/51, 70-72, 96, 112, 121,
482/130-132, 135, 140, 142, 147

See application file for complete search history.

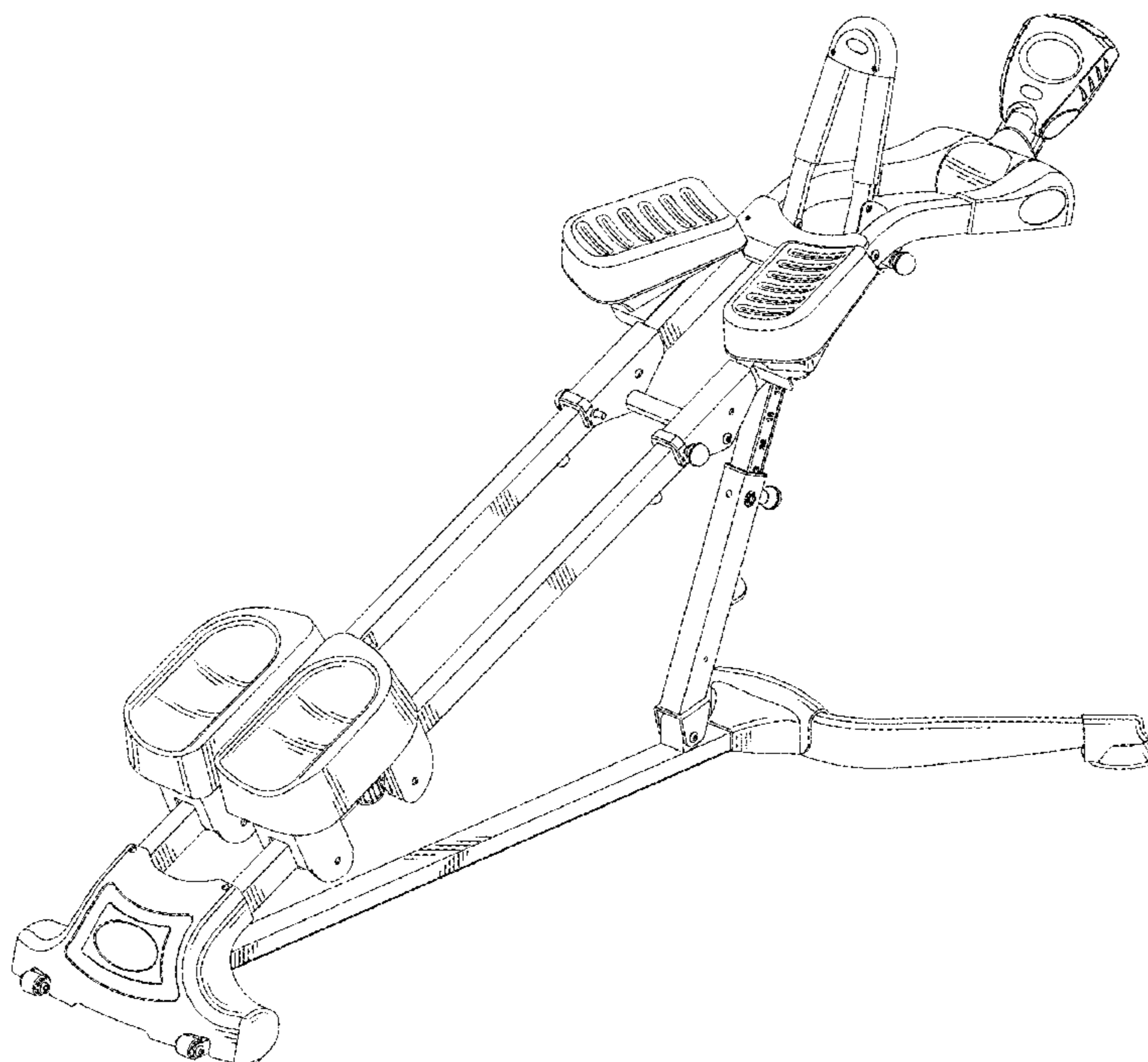
(57) **CLAIM**

The ornamental design for an abdomen exercise machine, as shown and described.

DESCRIPTION

FIG. 1 is a perspective view showing the new design for an abdomen exercise machine;
FIG. 2 is an enlarged front view thereof;
FIG. 3 is an enlarged rear view thereof;
FIG. 4 is a reduced scale right side view thereof;
FIG. 5 is a reduced scale left side view thereof;
FIG. 6 is an enlarged top view thereof; and,
FIG. 7 is an enlarged bottom view thereof.
Broken lines illustrate portions of the abdomen exercise machine outside the scope of the claimed design.

1 Claim, 7 Drawing Sheets



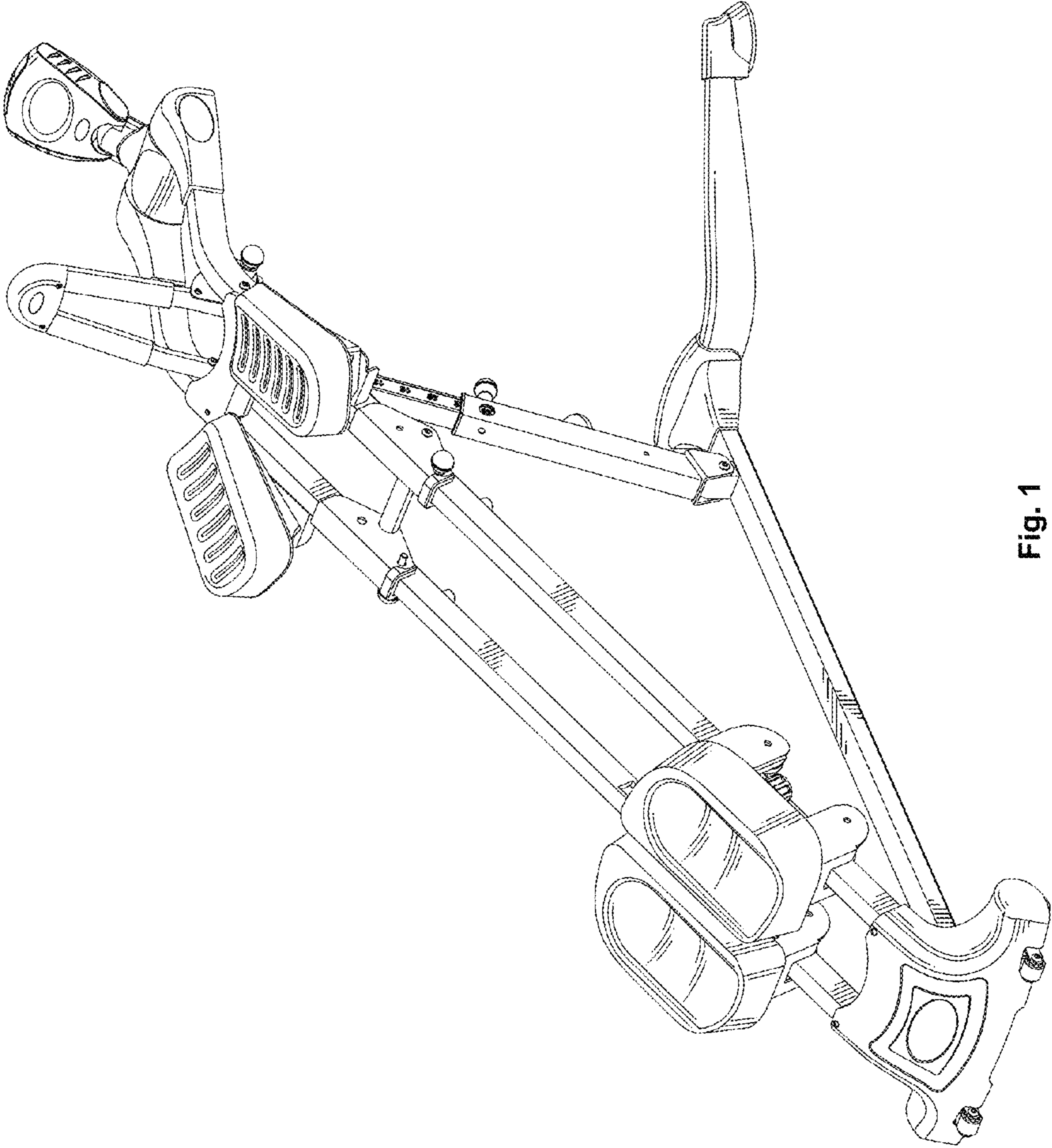


Fig. 1

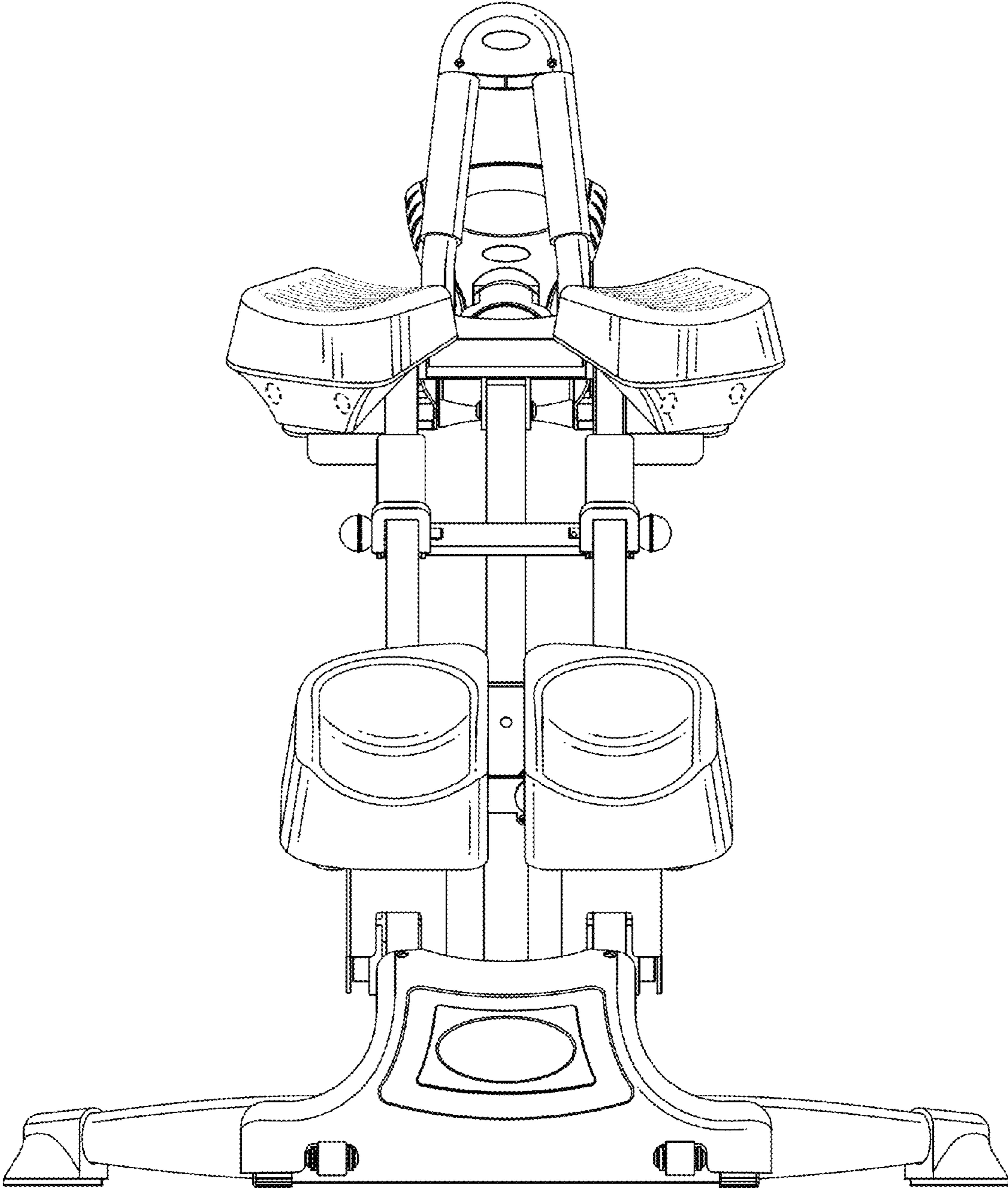


Fig. 2

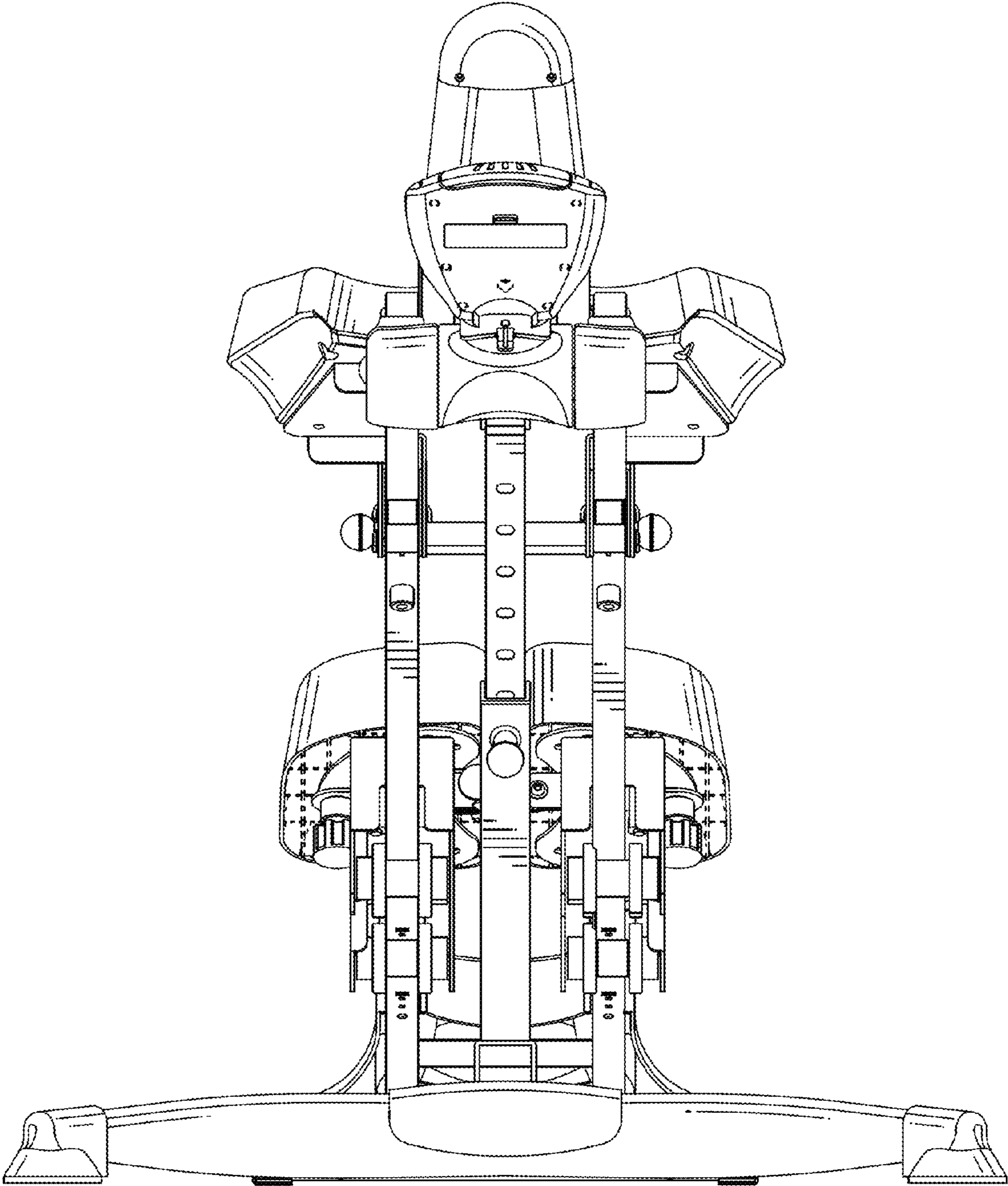


Fig. 3

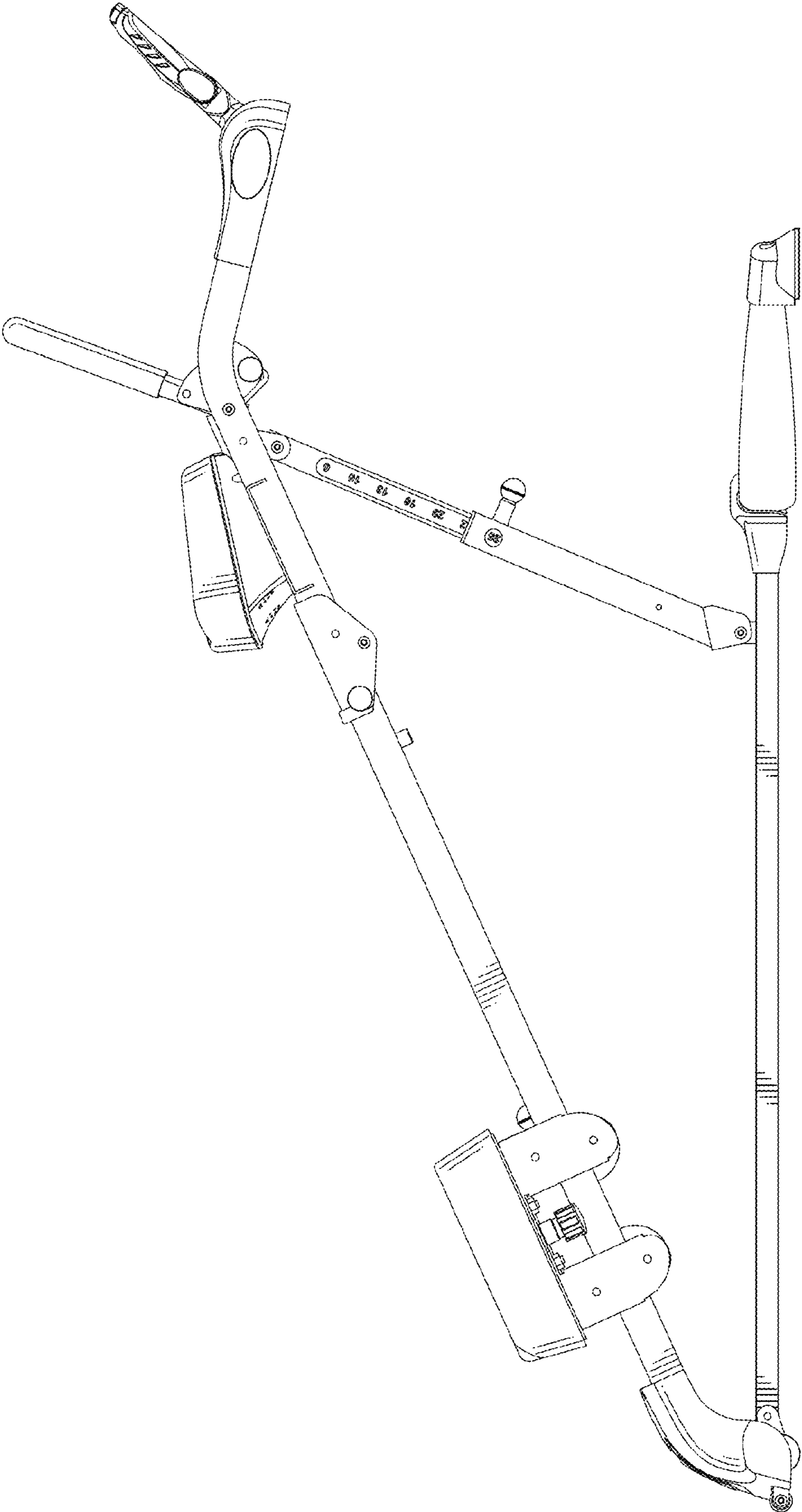


Fig. 4

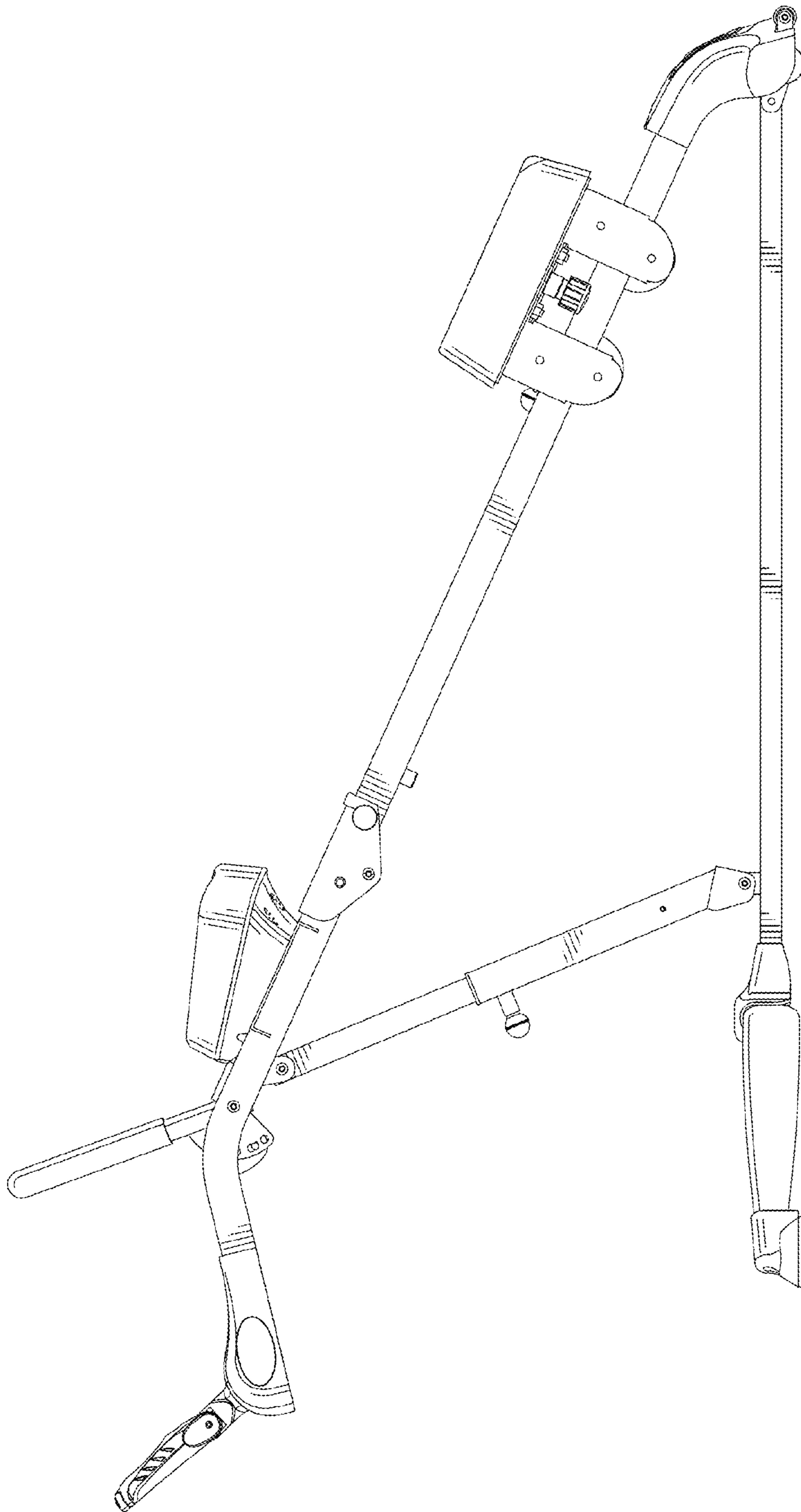


Fig. 5

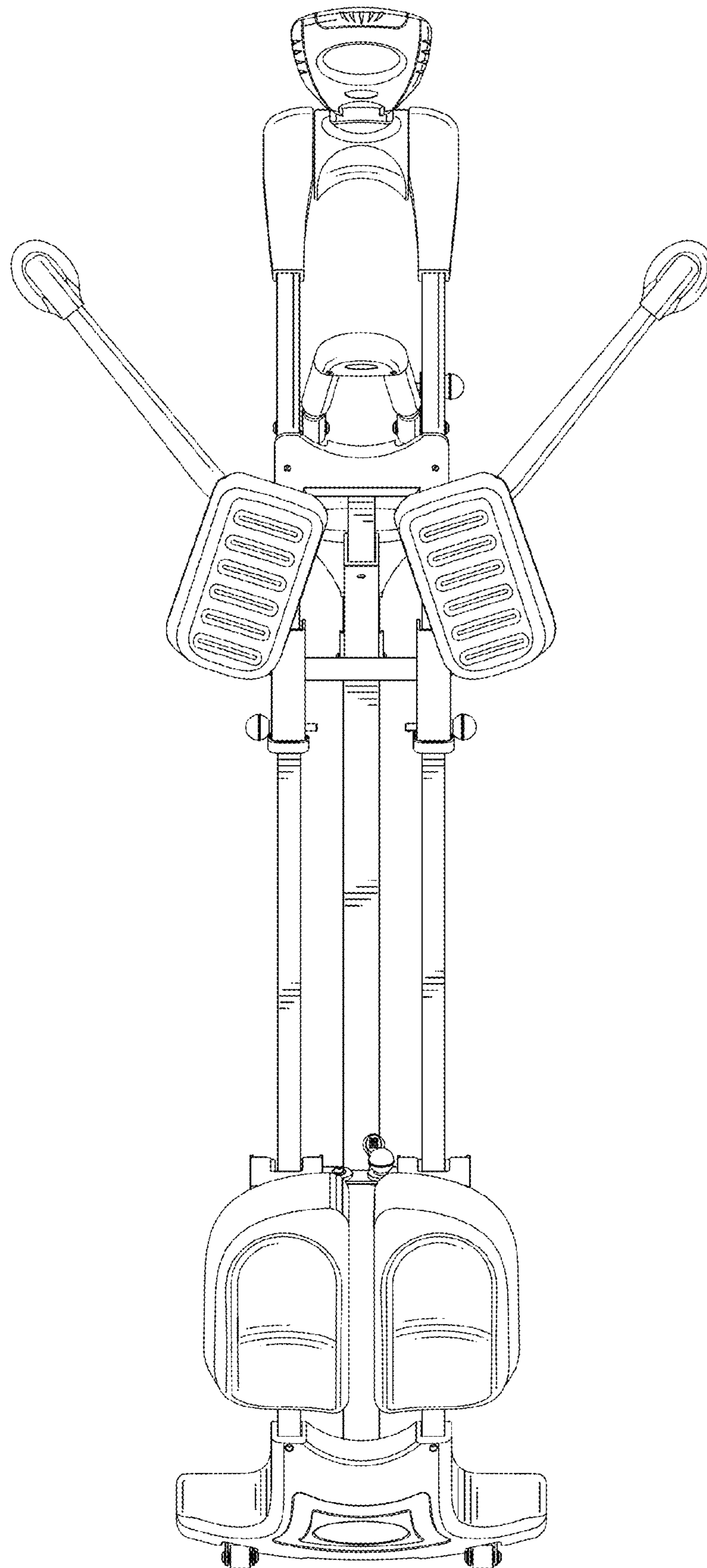


Fig. 6

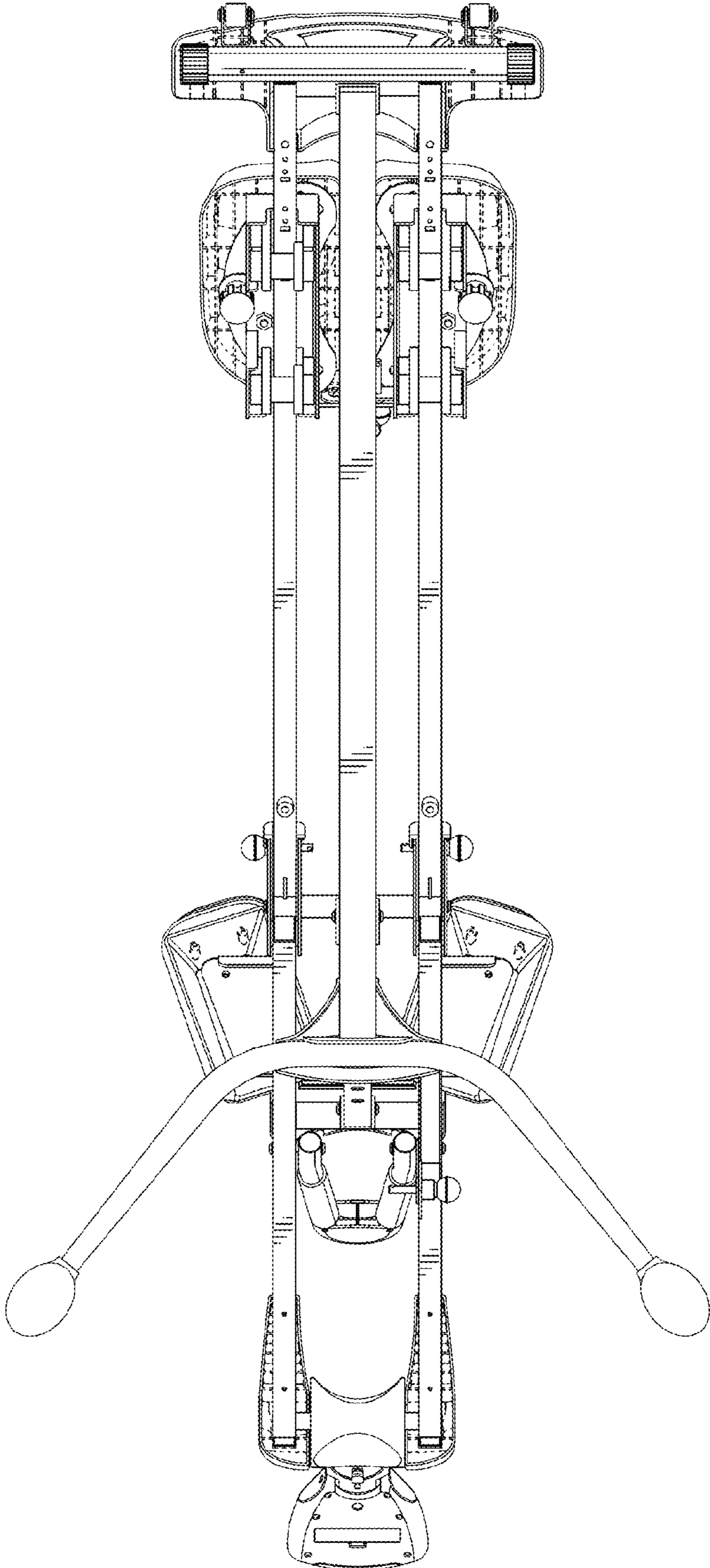


Fig. 7