



US00D702297S

(12) **United States Design Patent**  
**Youngblood et al.**

(10) **Patent No.:** **US D702,297 S**  
(45) **Date of Patent:** **\*\* Apr. 8, 2014**

(54) **FOAM NOODLE BUILDING BLOCK**

(76) Inventors: **Tara Lynn Chantelle Youngblood**,  
Mooresville, NC (US); **Todd Richard**  
**Youngblood**, Mooresville, NC (US)

(\*\*) Term: **14 Years**

(21) Appl. No.: **29/405,337**

(22) Filed: **Nov. 1, 2011**

(51) **LOC (10) Cl.** ..... **21-01**

(52) **U.S. Cl.**  
USPC ..... **D21/487**

(58) **Field of Classification Search**  
USPC ..... D21/484–505, 662, 679, 680; D8/382;  
273/153, 156; 446/69, 85, 102–128;  
434/259; D7/300.2

See application file for complete search history.

(56) **References Cited**

**U.S. PATENT DOCUMENTS**

2,208,049	A *	7/1940	Pajeau	.....	446/102
2,625,769	A *	1/1953	Hubbard	.....	446/96
3,432,960	A *	3/1969	Bombaci	.....	446/126
3,469,339	A *	9/1969	Thomas	.....	446/122
D219,462	S *	12/1970	Correia, Jr.	.....	D21/487
3,612,287	A *	10/1971	Maltese	.....	52/298
3,648,404	A *	3/1972	Ogsbury et al.	.....	446/126
4,250,679	A *	2/1981	Burg	.....	52/655.1
4,775,349	A *	10/1988	Short et al.	.....	446/107
4,776,719	A *	10/1988	Kreider	.....	403/24
4,778,184	A *	10/1988	Fleischer	.....	273/155
D341,169	S *	11/1993	Denton	.....	D21/468

D348,697	S *	7/1994	Hatting	.....	D21/487
D372,055	S *	7/1996	Hrsel	.....	D21/487
6,321,503	B1 *	11/2001	Warren	.....	52/658
6,374,565	B1 *	4/2002	Warren	.....	52/653.2
6,478,649	B1 *	11/2002	Hoback	.....	446/85
D469,135	S *	1/2003	Bell	.....	D21/662
D498,967	S *	11/2004	White	.....	D7/300.2
D533,413	S *	12/2006	Wax	.....	D7/701
7,210,427	B1 *	5/2007	Dillman	.....	119/512
7,374,468	B2 *	5/2008	Flodin et al.	.....	446/85
D579,990	S *	11/2008	Dalcourt	.....	D21/680
D639,357	S *	6/2011	Brun	.....	D21/679
8,074,324	B2 *	12/2011	Warren et al.	.....	16/372

\* cited by examiner

*Primary Examiner* — Cynthia M Chin

(74) *Attorney, Agent, or Firm* — Shumaker, Loop & Kendrick, LLP

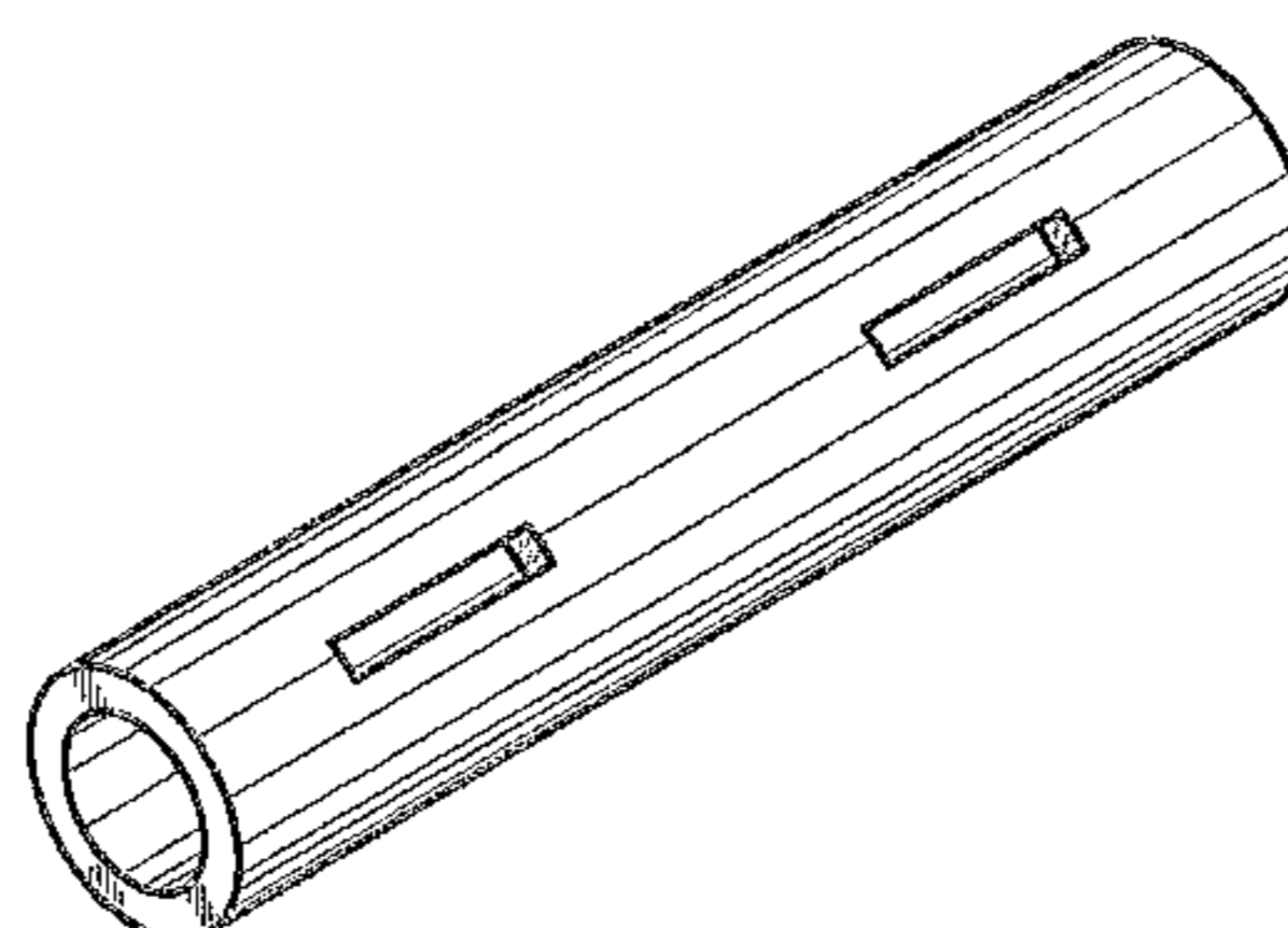
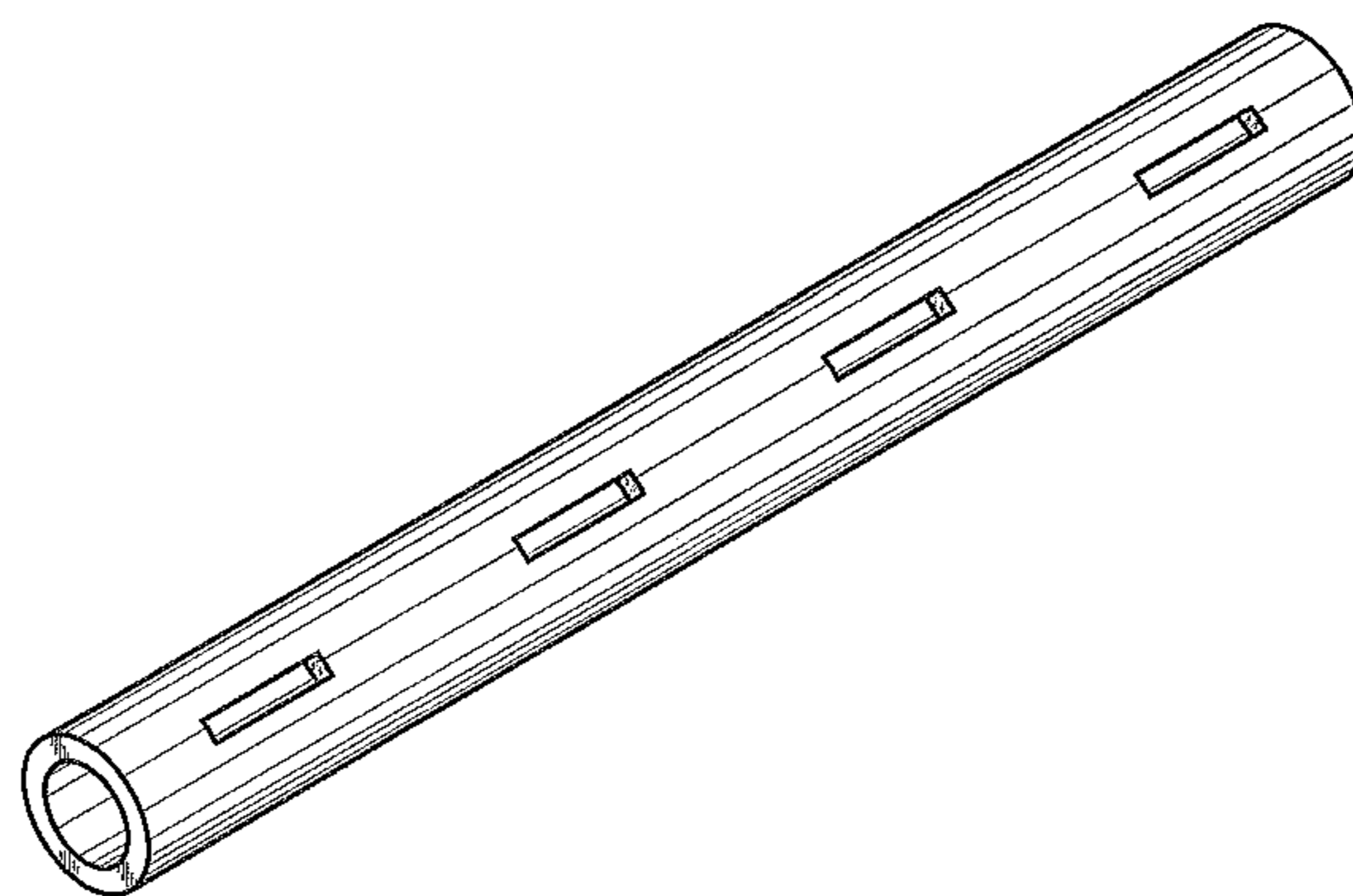
(57) **CLAIM**

The ornamental design for a foam noodle building block, as shown and described.

**DESCRIPTION**

FIG. 1 is a perspective view of a 1<sup>st</sup> embodiment of a foam noodle building block showing our new design;  
FIG. 2 is a top view thereof, the bottom being a mirror image of the top;  
FIG. 3 is a right side view thereof, the left side being a mirror image of the right side;  
FIG. 4 is front end view thereof; the back end being a mirror image of the front end; and,  
FIG. 5 is a perspective of a 2<sup>nd</sup> embodiment of a foam noodle building block having a shorter length.

**1 Claim, 3 Drawing Sheets**



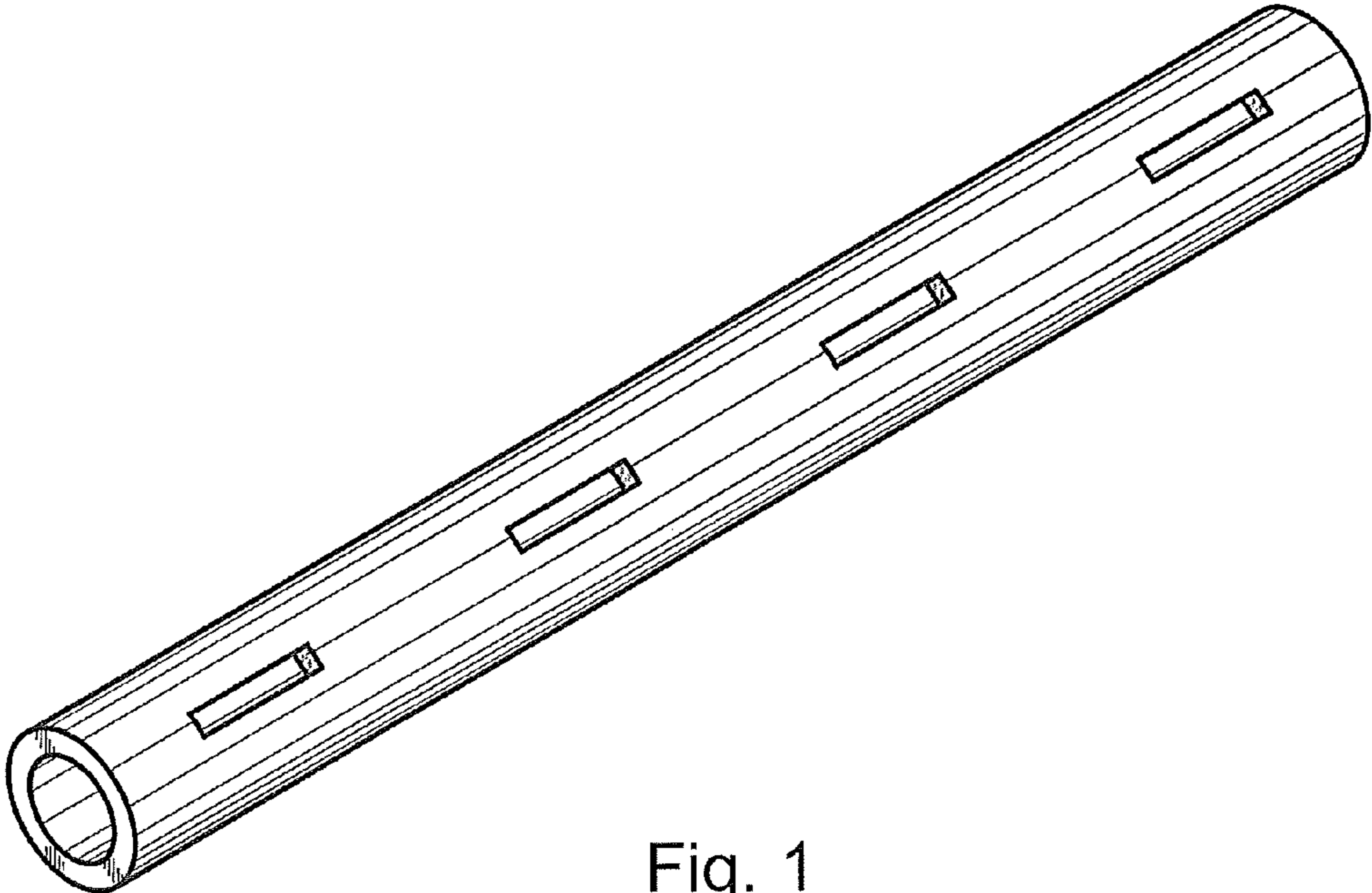


Fig. 1

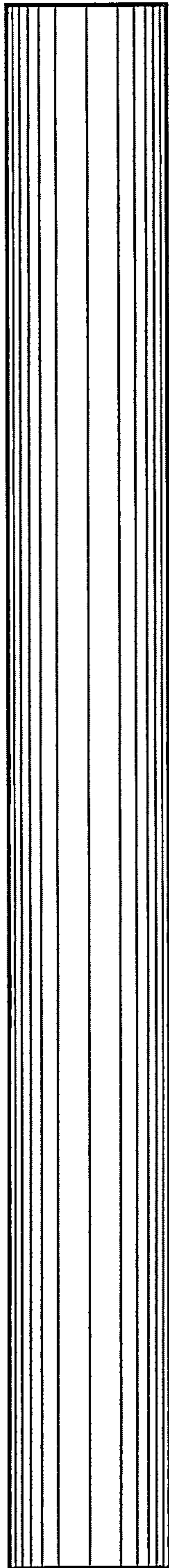


Fig. 2

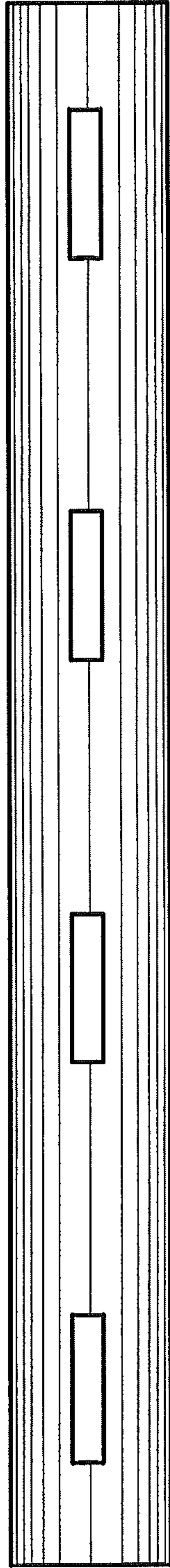


Fig. 3

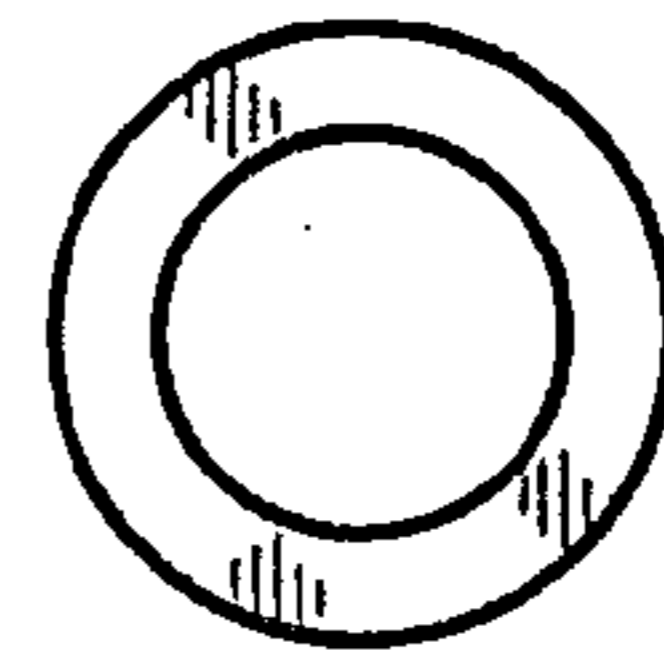


Fig. 4

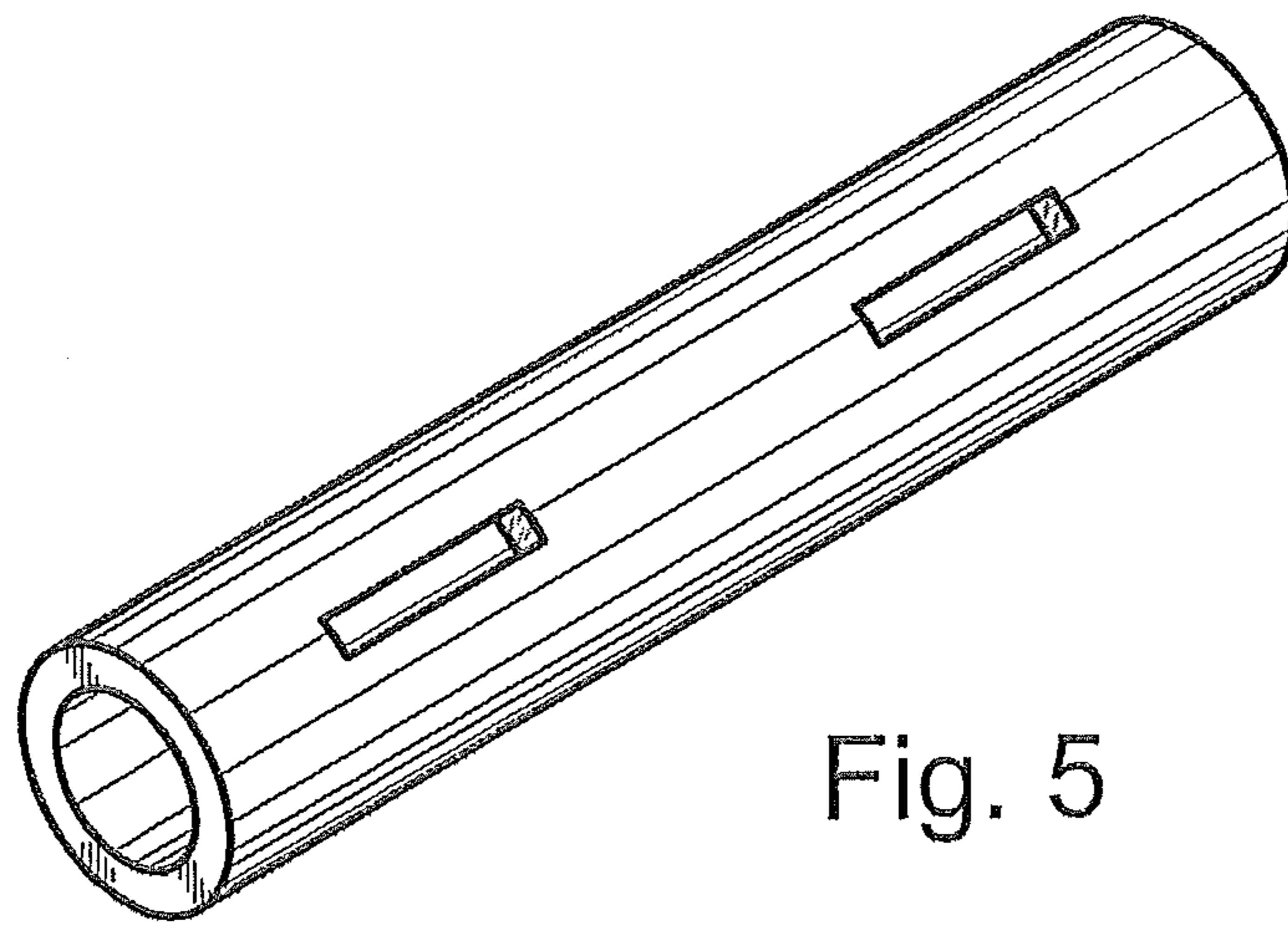


Fig. 5