



US00D702295S

(12) **United States Design Patent**
Forman et al.

(10) **Patent No.:** **US D702,295 S**
(45) **Date of Patent:** **** Apr. 8, 2014**

(54) **PORTABLE HANDHELD GAMING UNIT**

(71) Applicants: **David S. Forman**, Rancho Mirage, CA
(US); **Rick White**, Palm Desert, CA
(US)

(72) Inventors: **David S. Forman**, Rancho Mirage, CA
(US); **Rick White**, Palm Desert, CA
(US)

(73) Assignee: **Planet Bingo, Inc.**, Palm Desert, CA
(US)

(**) Term: **14 Years**

(21) Appl. No.: **29/448,424**

(22) Filed: **Mar. 12, 2013**

(51) **LOC (10) Cl.** **21-01**

(52) **U.S. Cl.**
USPC **D21/329**

(58) **Field of Classification Search**
USPC D21/324–333; D14/341–346, 356, 432,
D14/496, 207.3, 203.7, 507, 399–401;
273/148 B; 463/1, 29–47;
345/156–161, 168, 169, 172; 341/22,
341/23

See application file for complete search history.

(56) **References Cited**

U.S. PATENT DOCUMENTS

4,611,406 A * 9/1986 Engstrom et al. 33/443
4,969,647 A * 11/1990 Mical et al. 463/31
5,161,803 A * 11/1992 Ohara 463/44
D371,165 S * 6/1996 Stambolic et al. D21/329
D405,781 S * 2/1999 Renk D14/126

5,893,798 A * 4/1999 Stambolic et al. 463/46
D414,522 S * 9/1999 Kitamori D21/329
6,042,478 A * 3/2000 Ng 463/44
D452,280 S * 12/2001 Ota et al. D21/329
D453,195 S * 1/2002 Chan D21/329
D565,554 S * 4/2008 Fan D14/218
D664,601 S * 7/2012 Sogabe D21/329

* cited by examiner

Primary Examiner — Prabhakar Deshmukh

(74) *Attorney, Agent, or Firm* — Weiss & Moy, P.C.; Jeffrey
D. Moy

(57) **CLAIM**

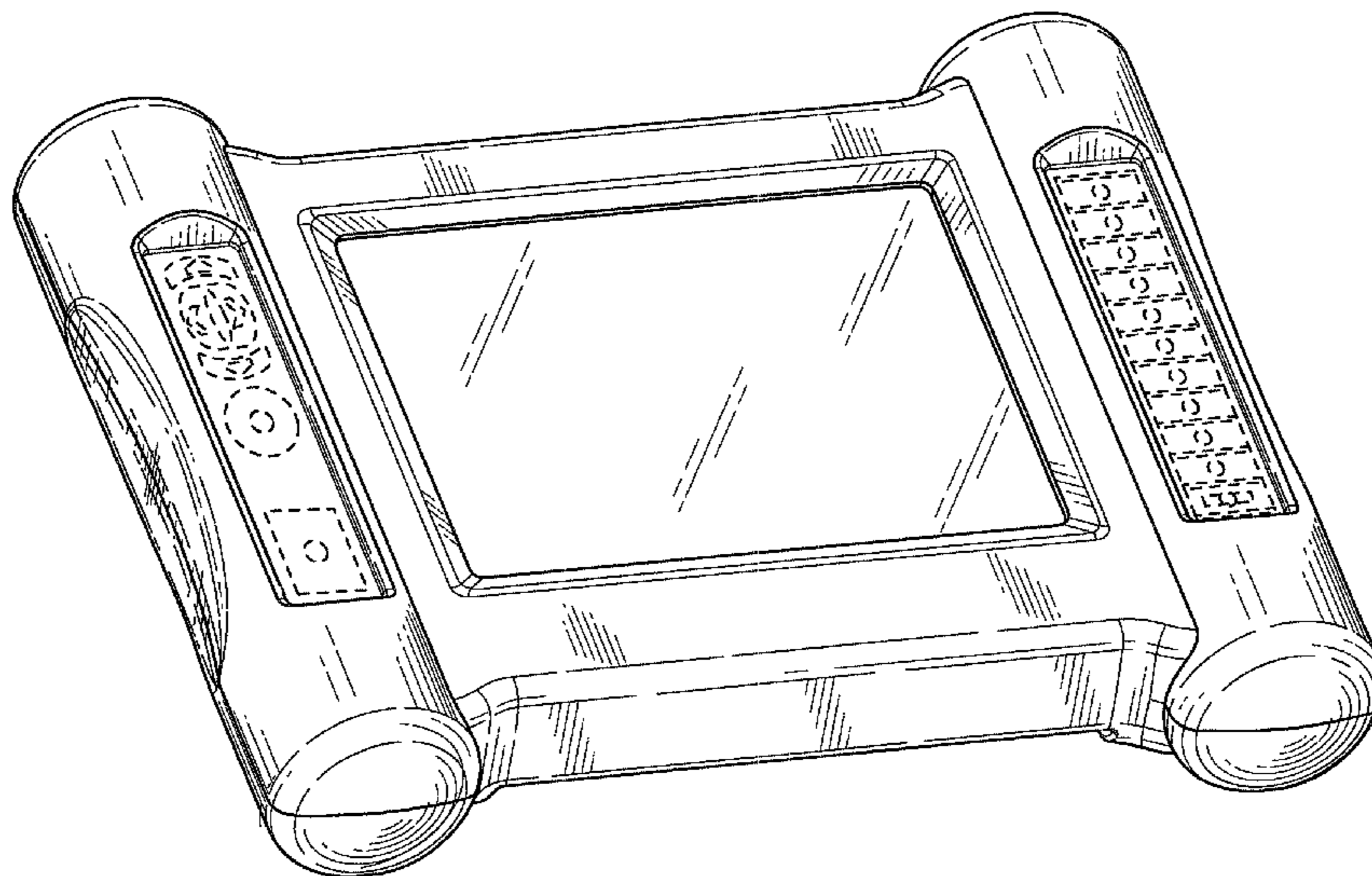
The ornamental design for a portable handheld gaming unit,
as shown and described.

DESCRIPTION

FIG. 1 is a perspective view of a portable handheld gaming unit showing our new design;
FIG. 2 is a bottom plan view thereof;
FIG. 3 is a top plan view thereof;
FIG. 4 is a left side elevation thereof;
FIG. 5 is a right side elevation thereof;
FIG. 6 is a front elevation thereof;
FIG. 7 is a rear elevation thereof;
FIG. 8 is a top perspective view thereof, with the arm shown in an extended position;
FIG. 9 is a bottom perspective view thereof, with the arm shown in an extended position; and,
FIG. 10 is a perspective view thereof, shown with a stacked another portable handheld gaming unit, shown in broken lines.

The broken lines environment in FIGS. 1, 6, 8, and 10 forms no part of the claimed design. The stacked unit, shown in broken lines, in FIG. 10 forms no part of the claimed design.

1 Claim, 6 Drawing Sheets



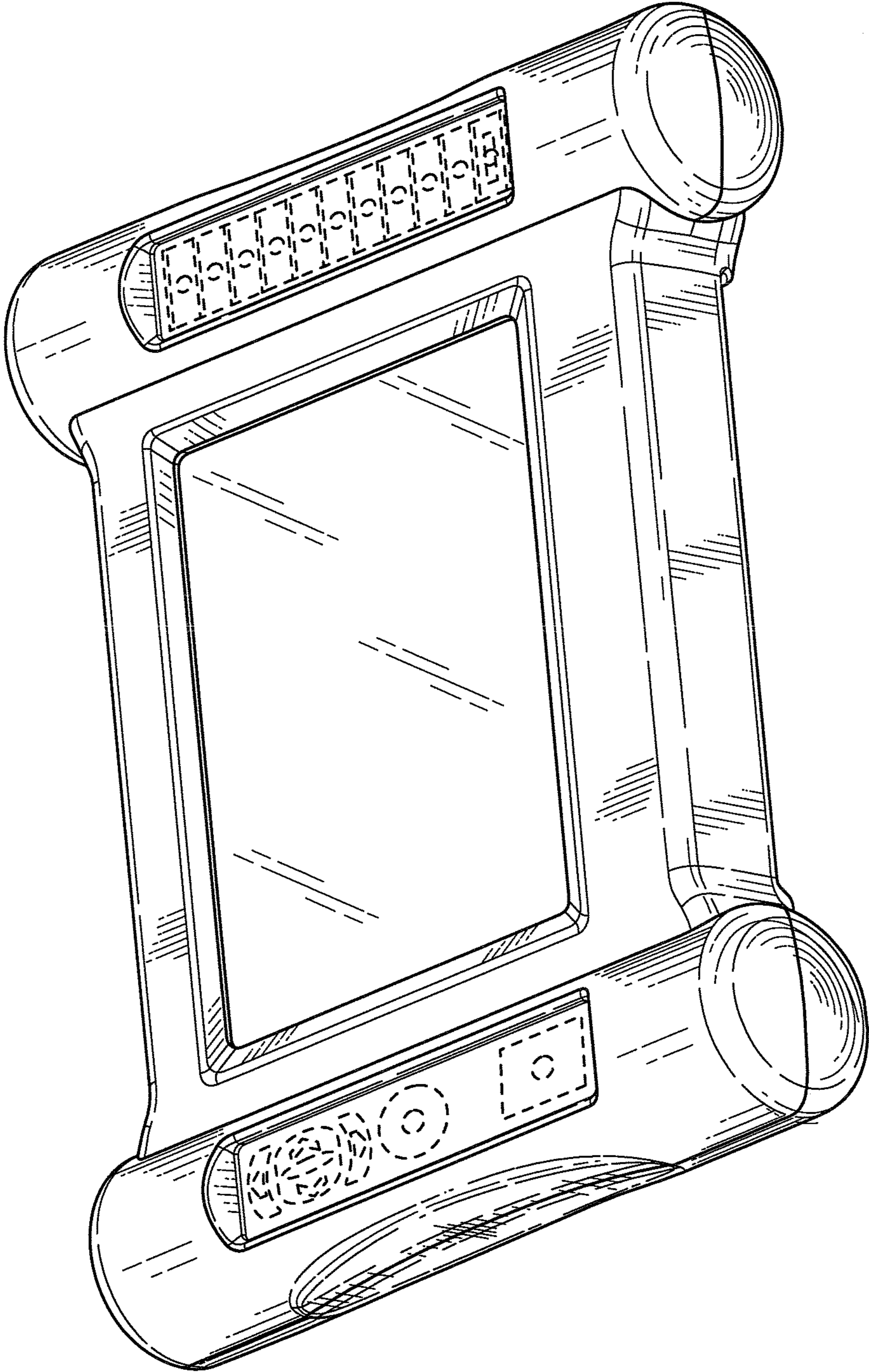


FIG. 1

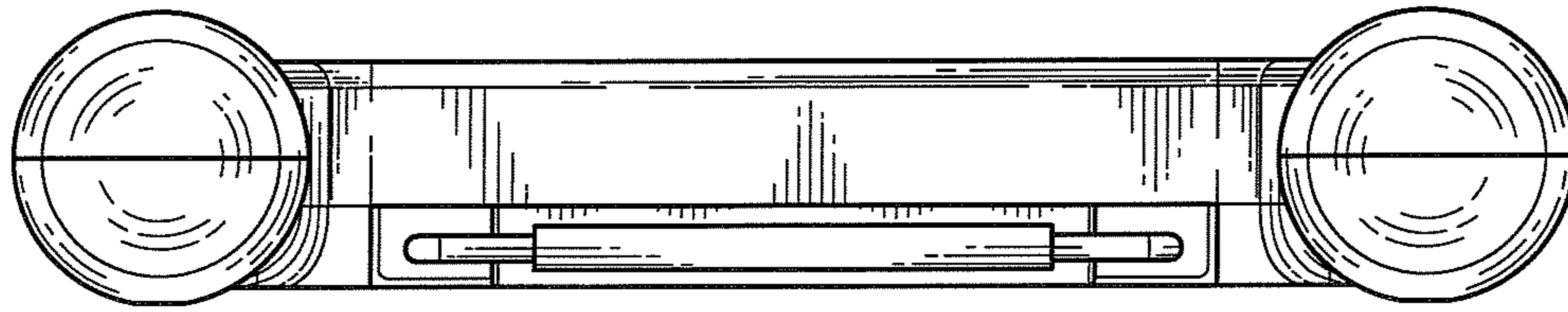


FIG. 2

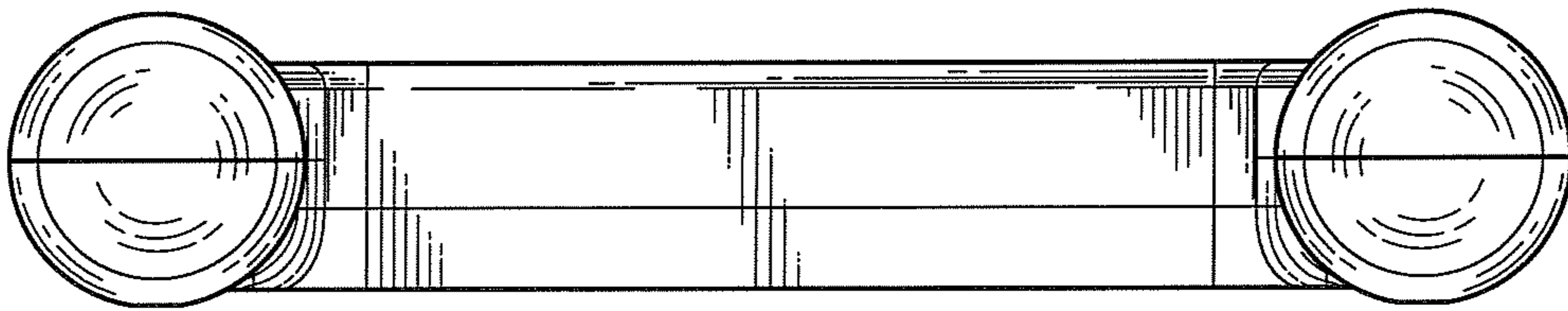


FIG. 3

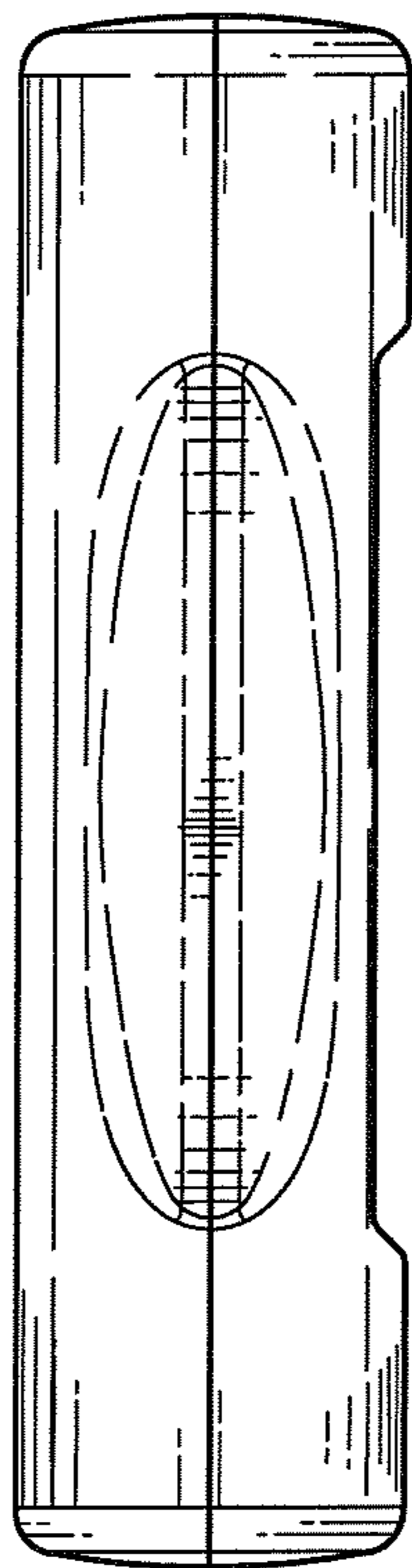


FIG. 4

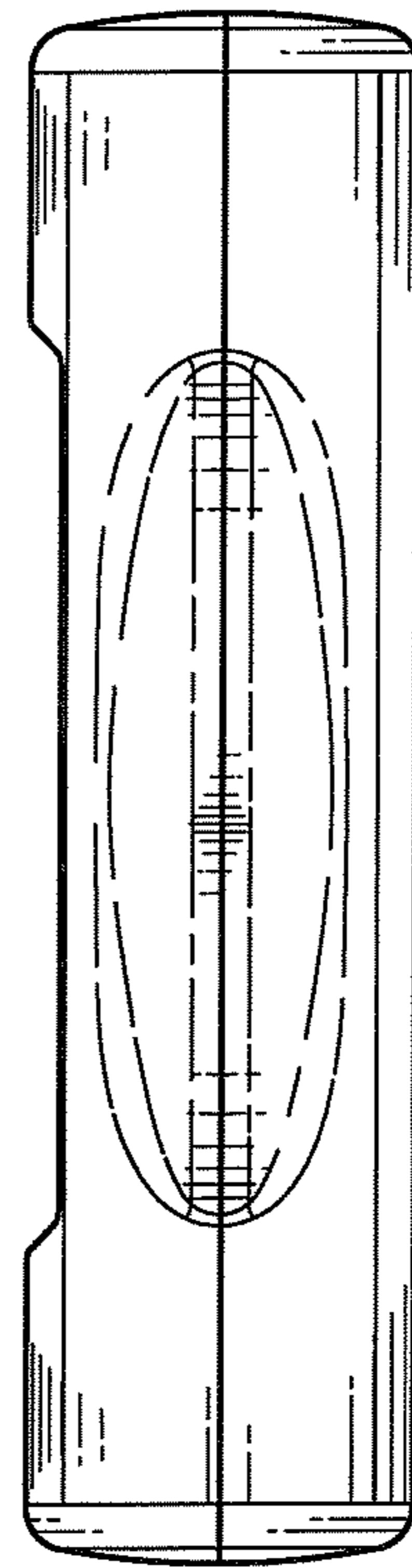


FIG. 5

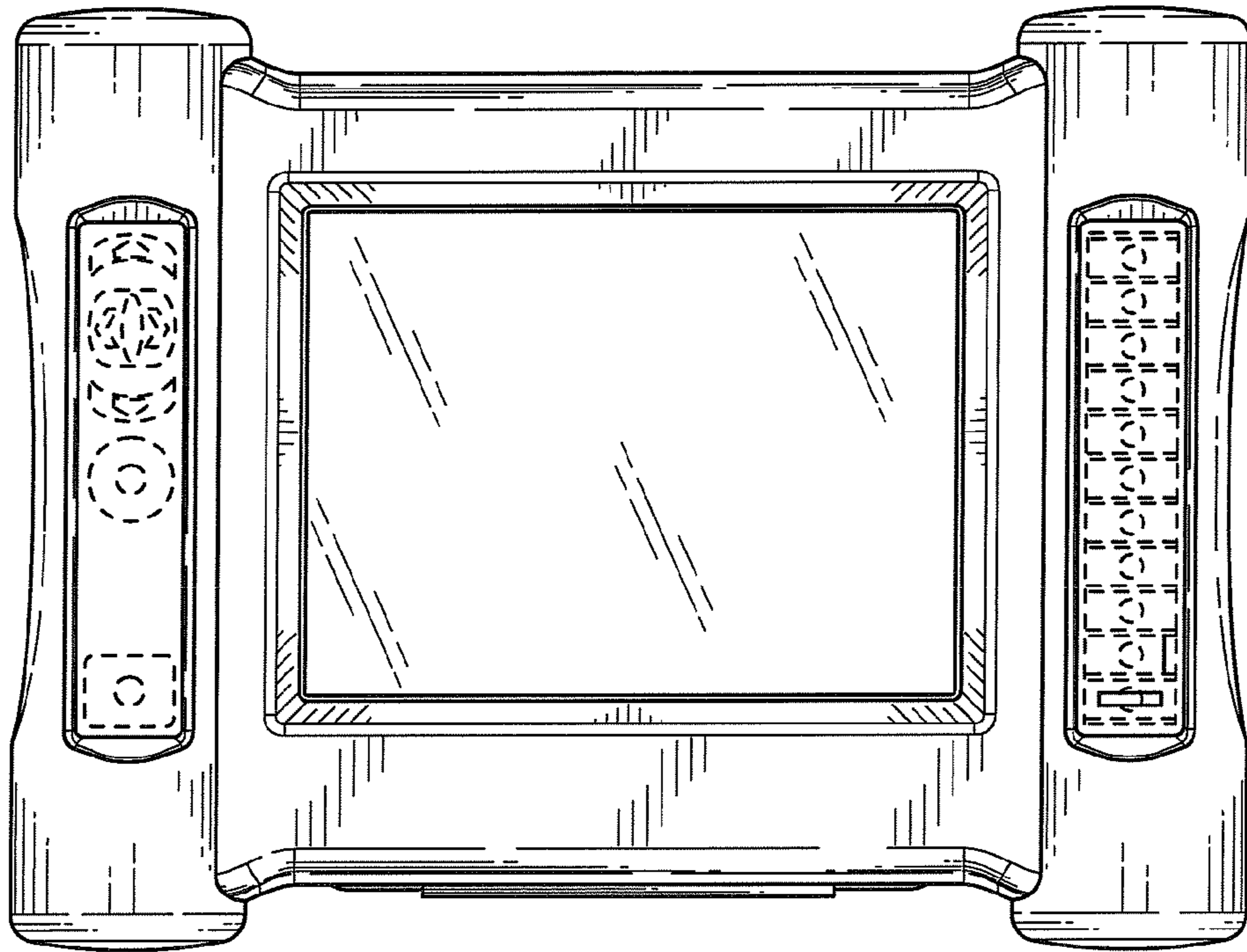


FIG. 6

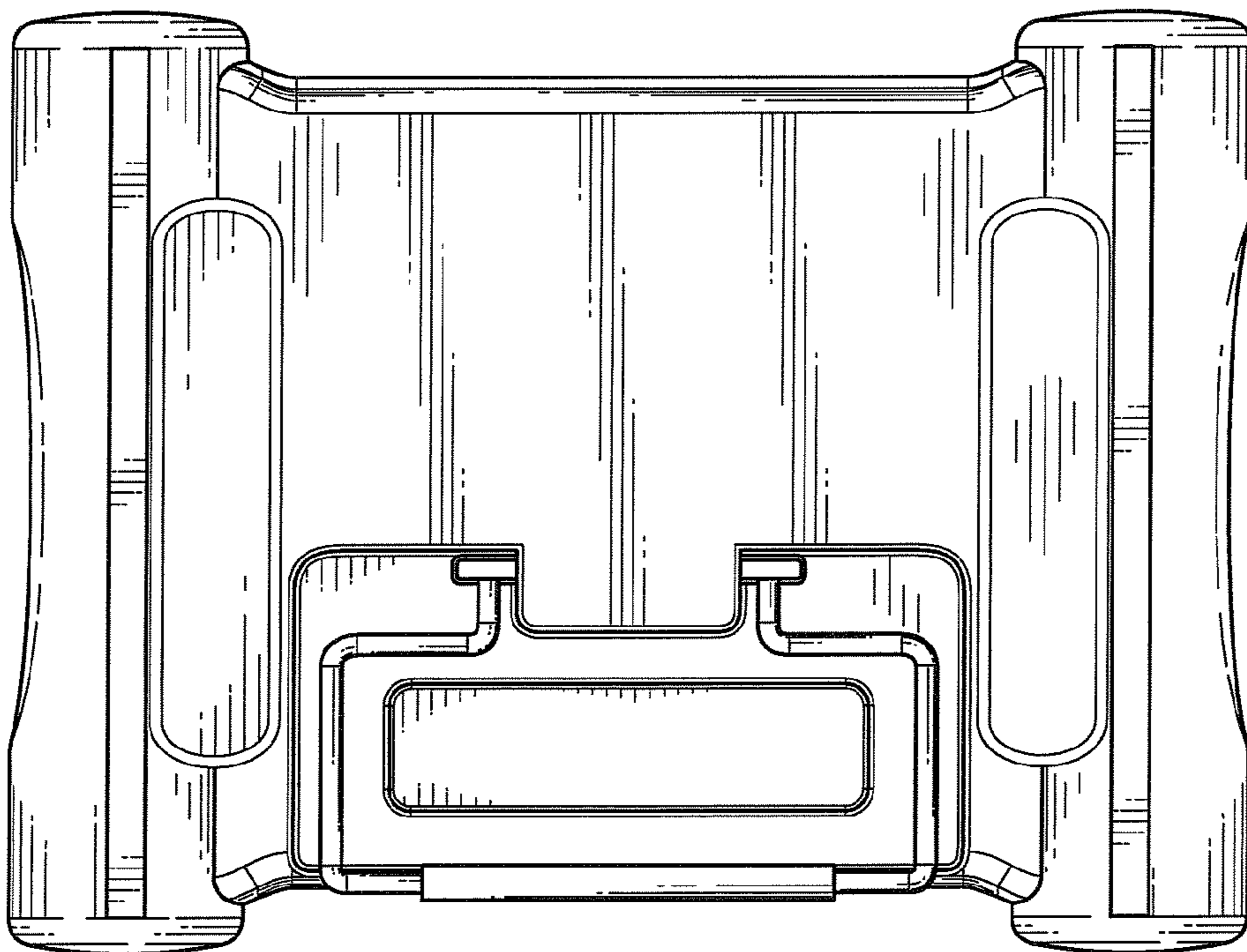


FIG. 7

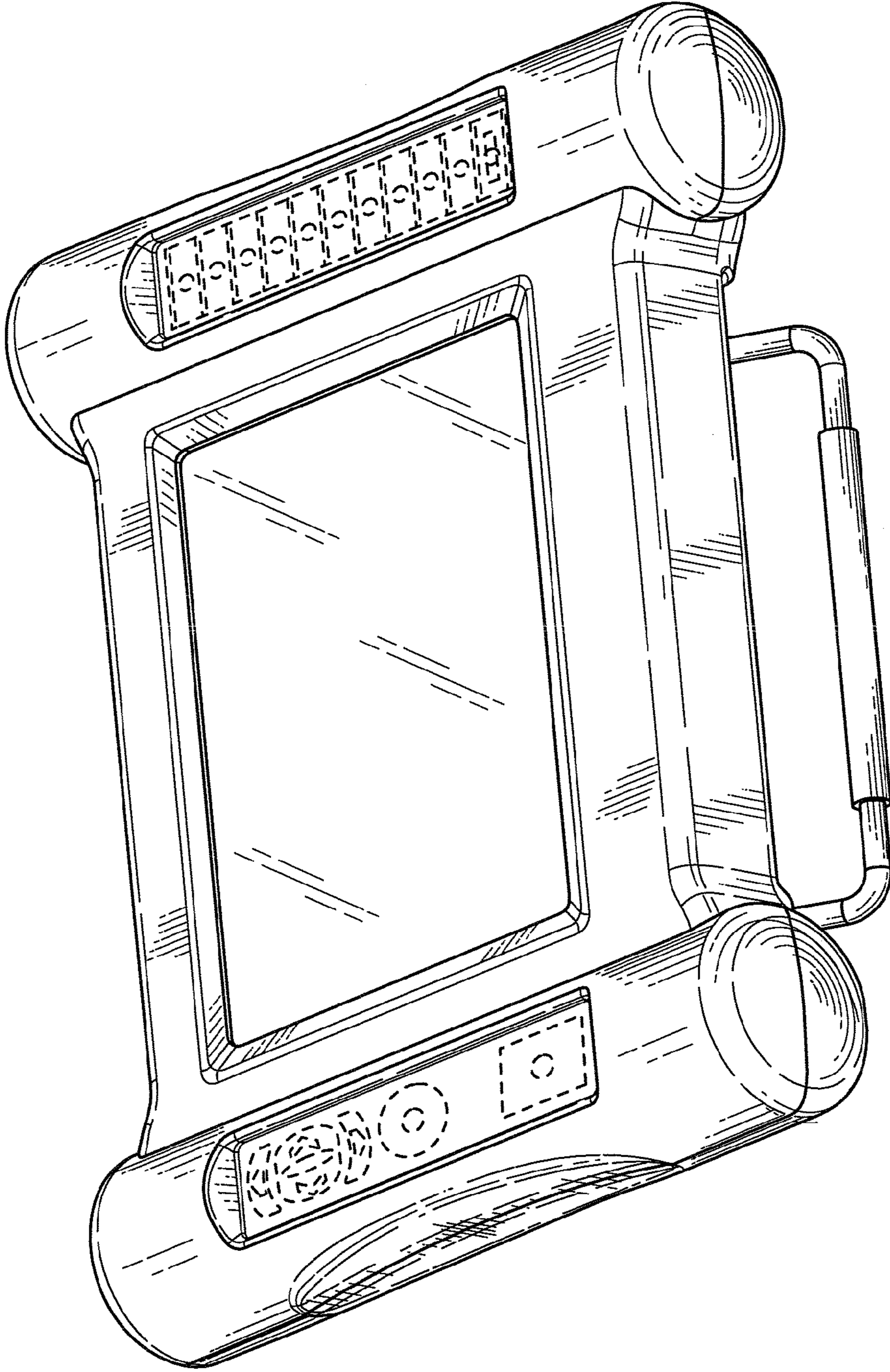


FIG. 8

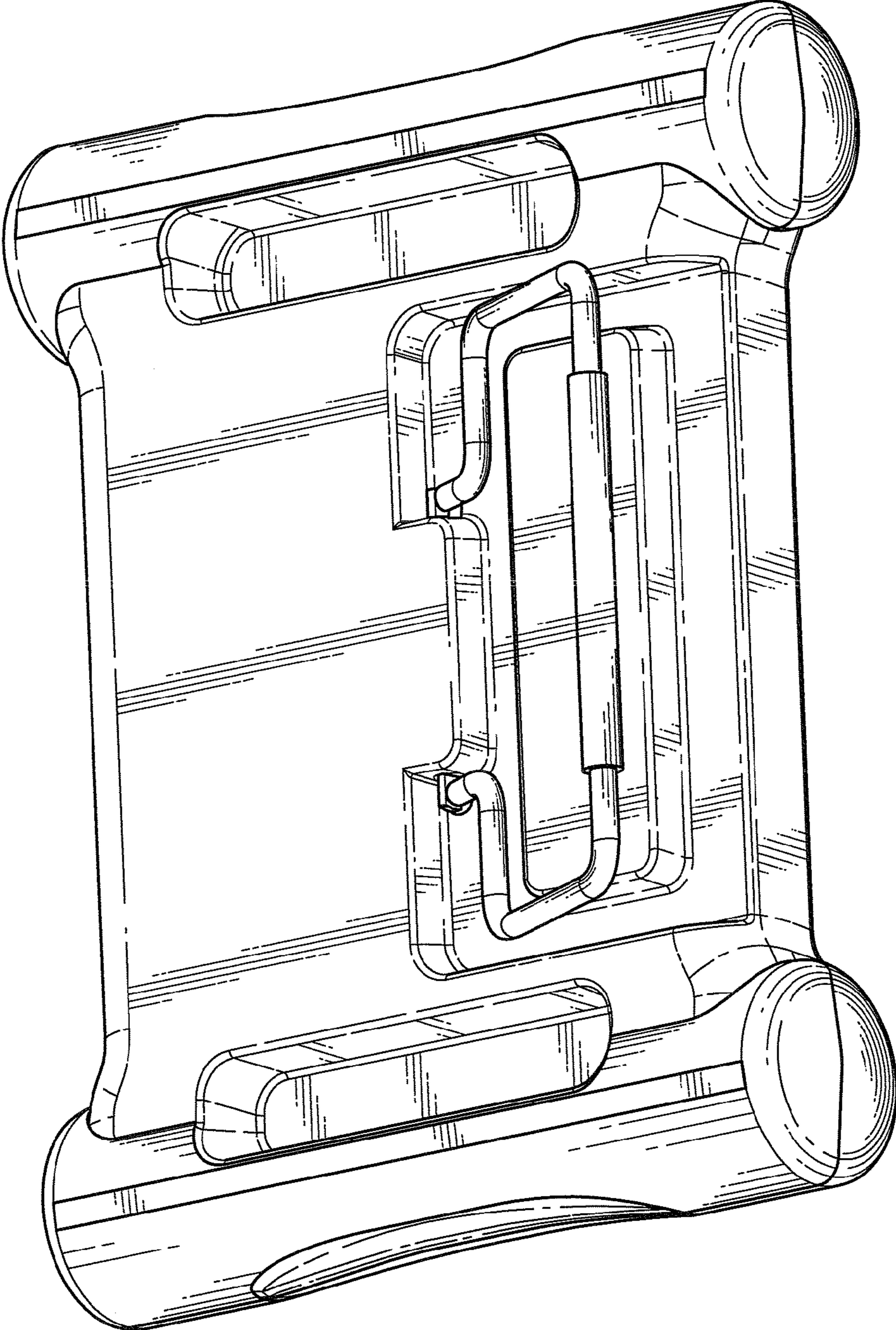


FIG. 9

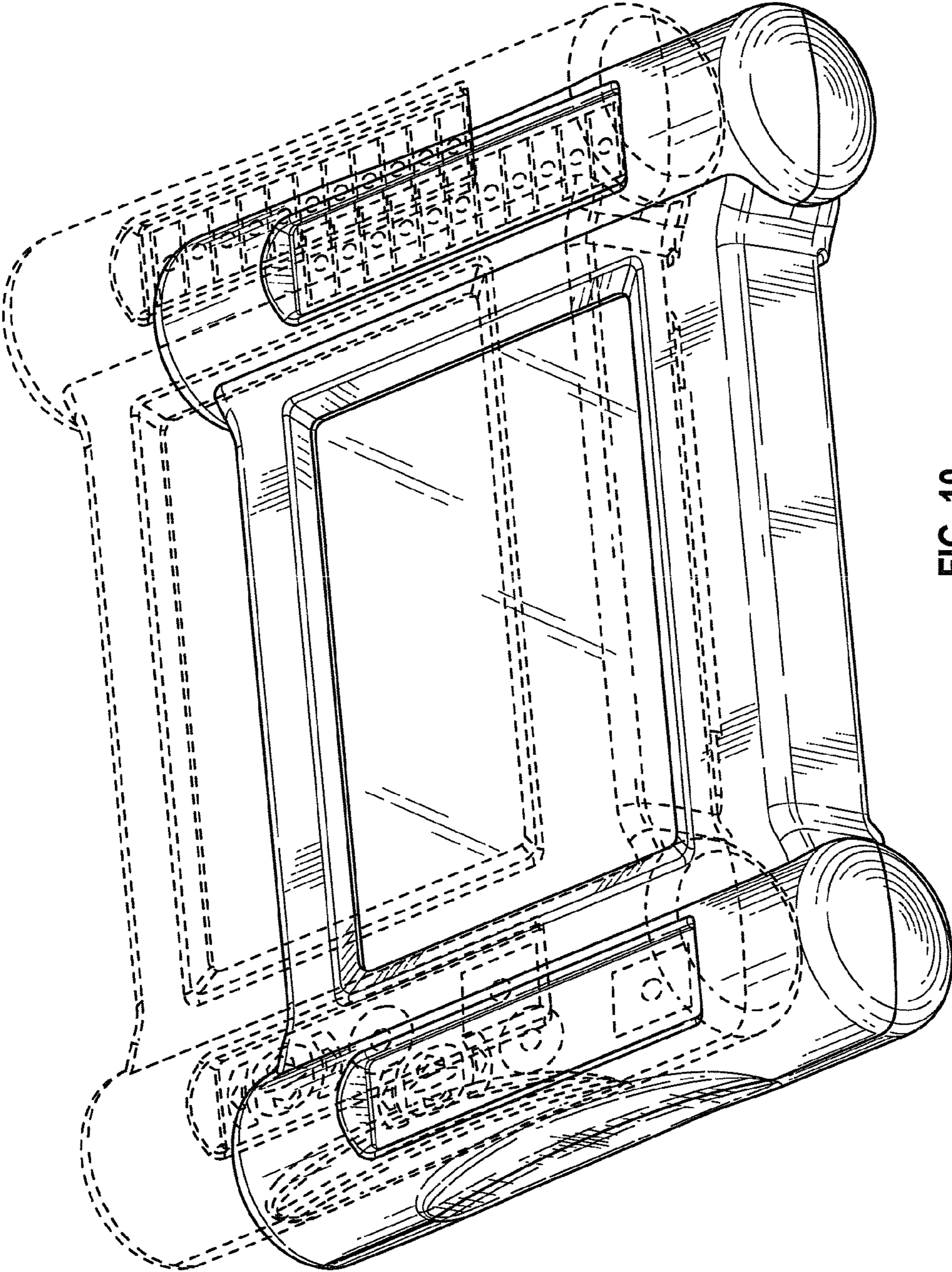


FIG. 10