

US00D702285S

(12) **United States Design Patent**
Gilbert et al.

(10) **Patent No.:** **US D702,285 S**

(45) **Date of Patent:** **** Apr. 8, 2014**

(54) **OFFICE MACHINE**

(75) Inventors: **John B Gilbert**, Portland, OR (US);
Richard G Chambers, Portland, OR
(US); **Frederick T Mattern**, Portland,
OR (US)

(73) Assignee: **Xerox Corporation**, Norwalk, CT (US)

(**) Term: **14 Years**

(21) Appl. No.: **29/416,099**

(22) Filed: **Mar. 19, 2012**

(51) **LOC (10) Cl.** **16-03**

(52) **U.S. Cl.**
USPC **D18/39**

(58) **Field of Classification Search**
USPC D18/36-41, 44-56; 222/DIG. 1;
271/3.14, 8.1, 222, 278; 355/97, 99;
358/1.1; 399/1-7, 16, 75, 81, 107, 130,
399/151, 361, 365, 381-383, 388
See application file for complete search history.

(56) **References Cited**

U.S. PATENT DOCUMENTS

D425,929 S * 5/2000 Imai D18/36
D502,210 S * 2/2005 Katori et al. D18/39

D537,866 S * 3/2007 Matsuda et al. D18/39
D567,848 S * 4/2008 Kawamura et al. D18/39
D573,177 S * 7/2008 Isogai et al. D18/39
D577,763 S * 9/2008 Hidaka et al. D18/39
D626,587 S * 11/2010 Ishio et al. D18/39
D664,191 S * 7/2012 Saito et al. D18/39

* cited by examiner

Primary Examiner — Elizabeth Albert

(74) *Attorney, Agent, or Firm* — Tallam Nguti

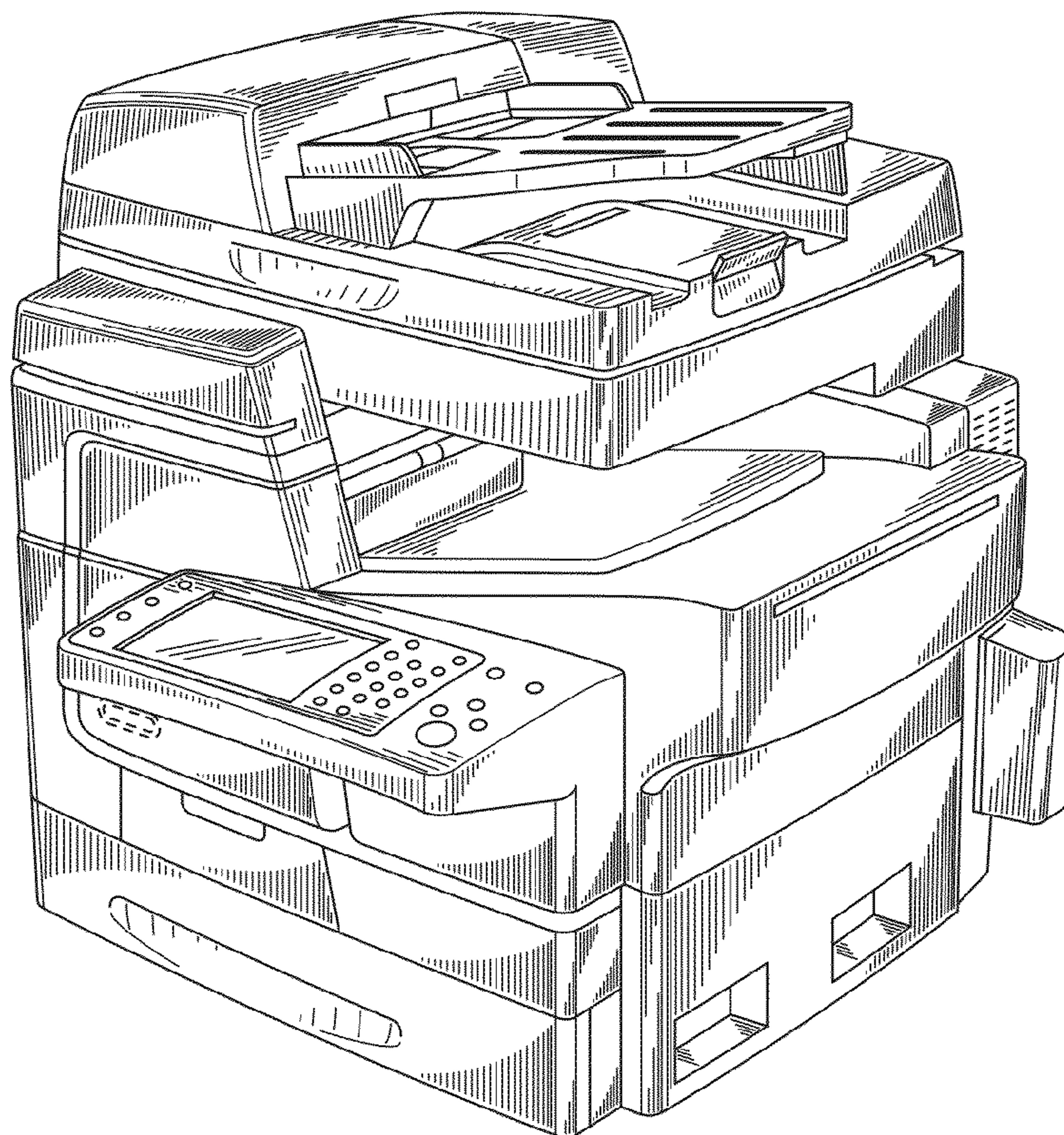
(57) **CLAIM**

The ornamental design for an office machine, as shown and described.

DESCRIPTION

FIG. 1 is a perspective view of an office machine in accordance with the present invention;
FIG. 2 is a front view thereof;
FIG. 3 is a right side view thereof;
FIG. 4 is a rear view thereof;
FIG. 5 is a left side view thereof;
FIG. 6 is a top plan view thereof; and,
FIG. 7 is a bottom plan view thereof.
The broken lines shown depict environmental subject matter only and do not form part of the claimed design.

1 Claim, 7 Drawing Sheets



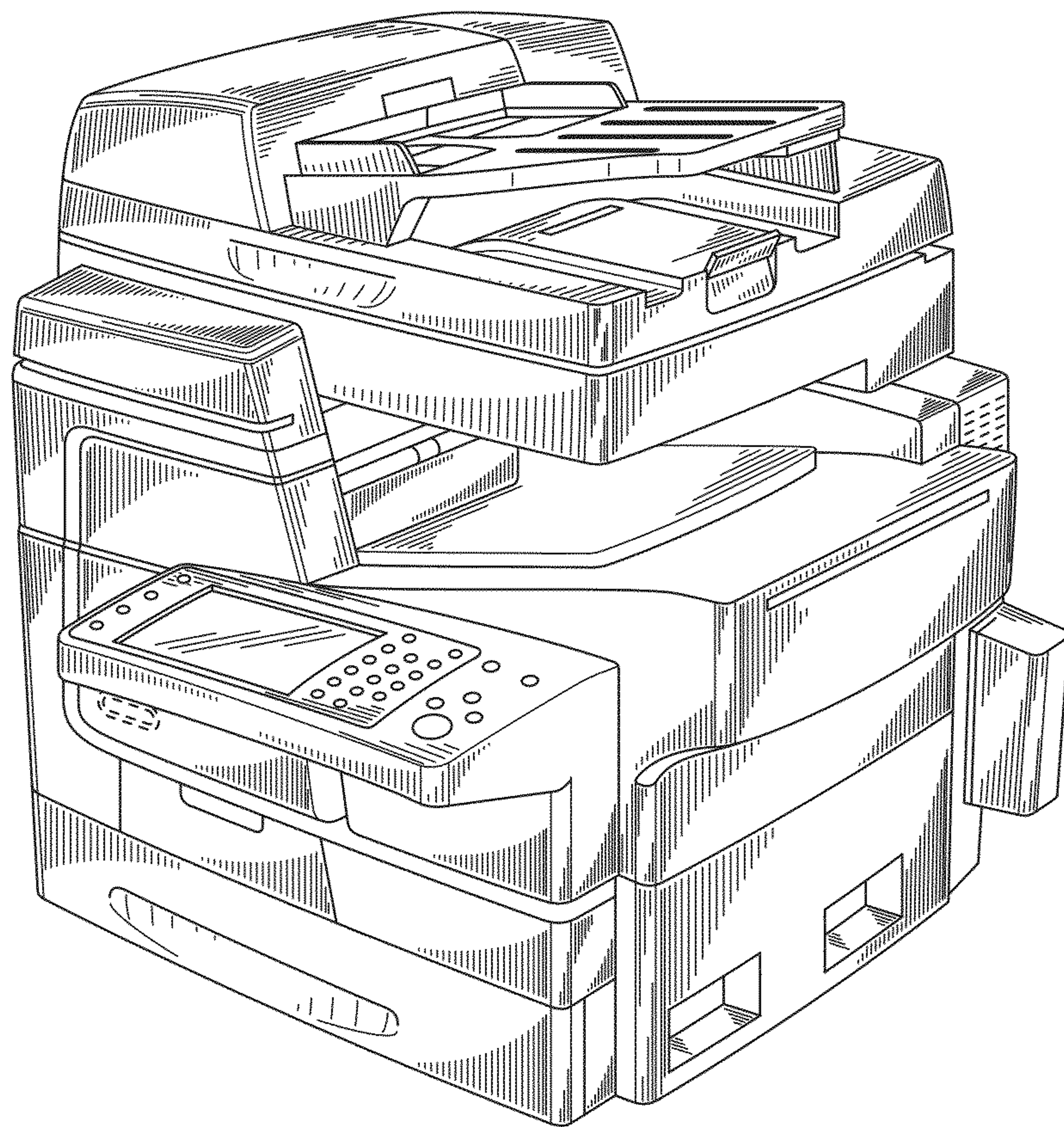


FIG. 1

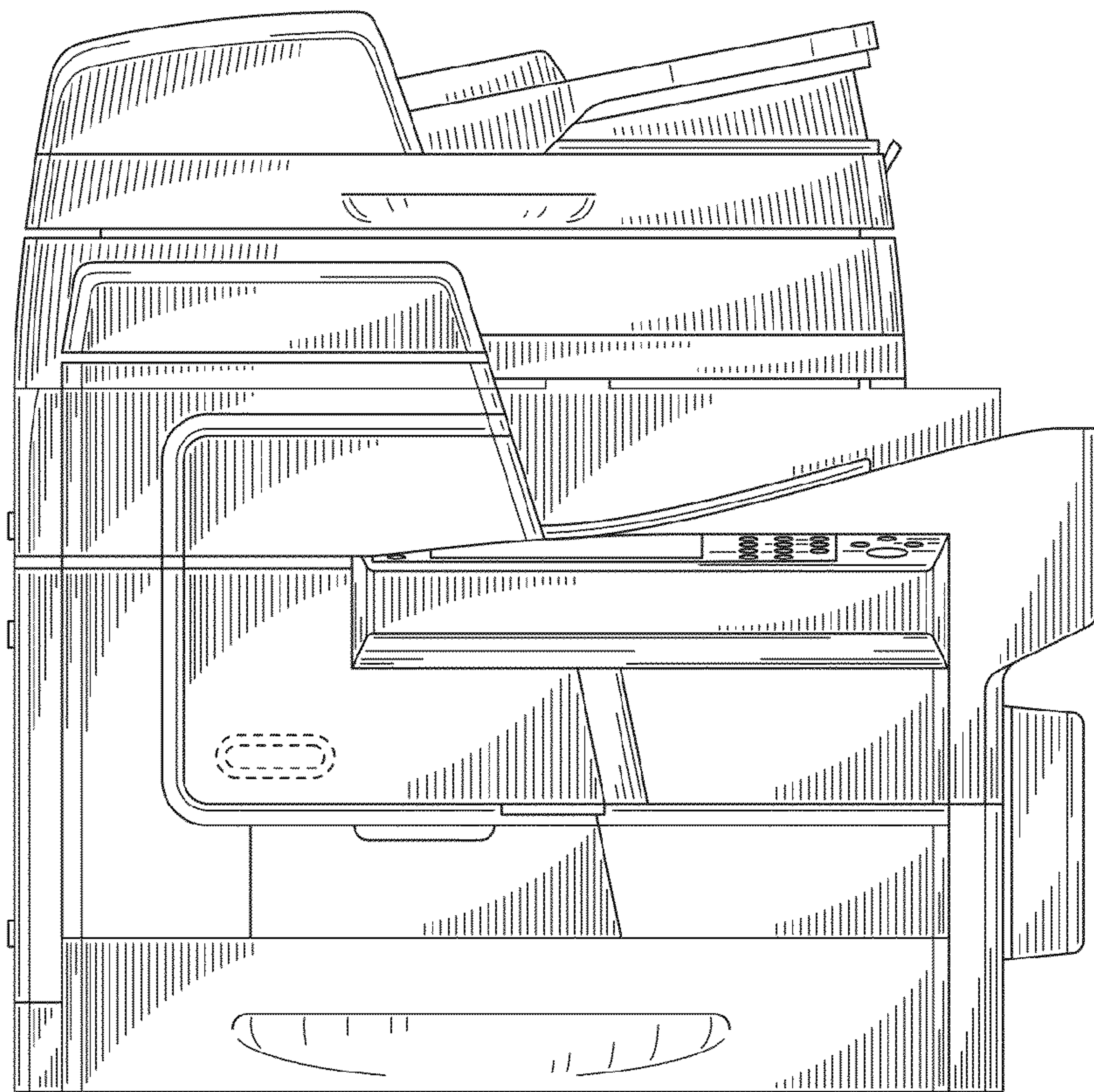


FIG. 2

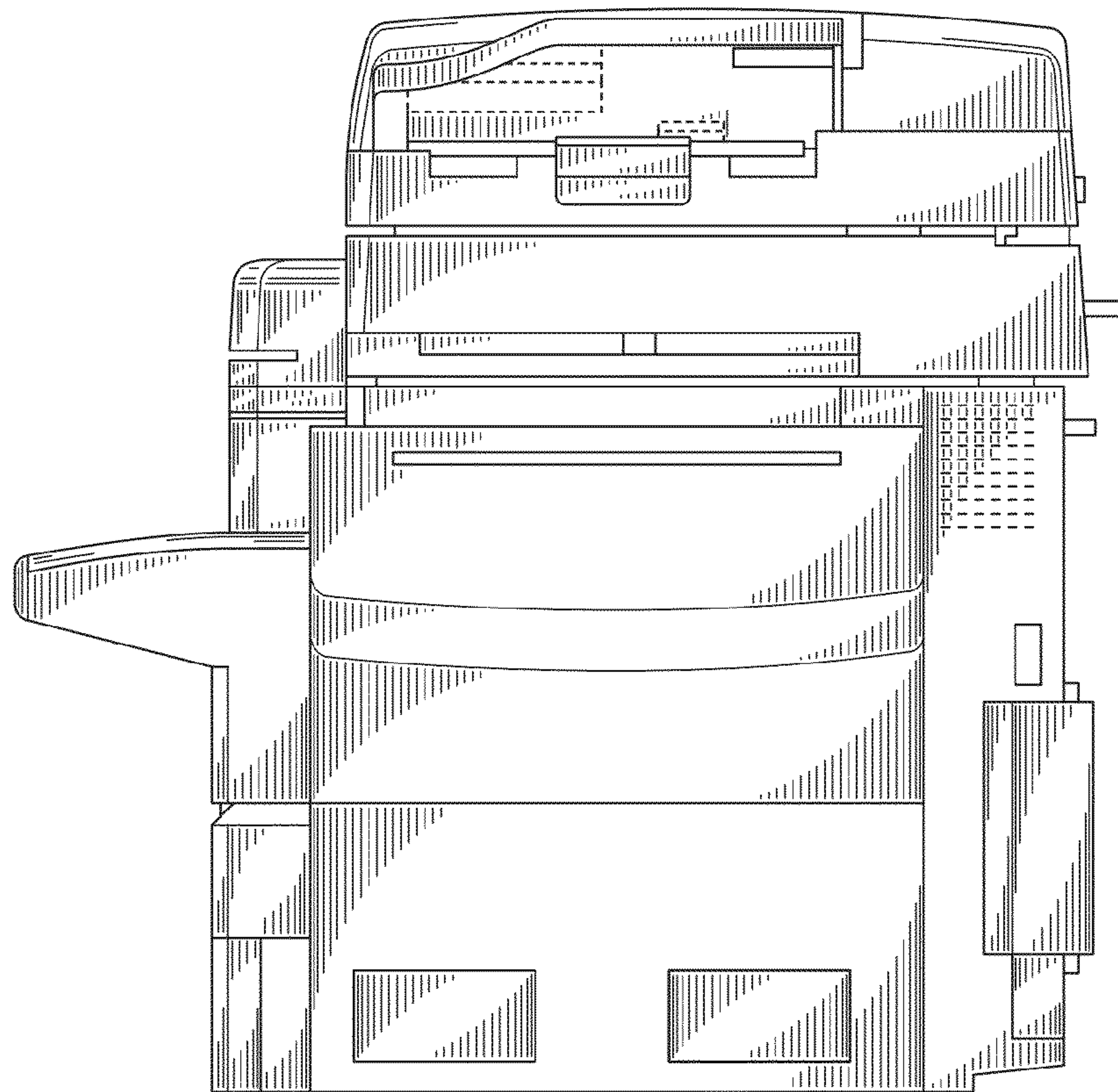


FIG. 3

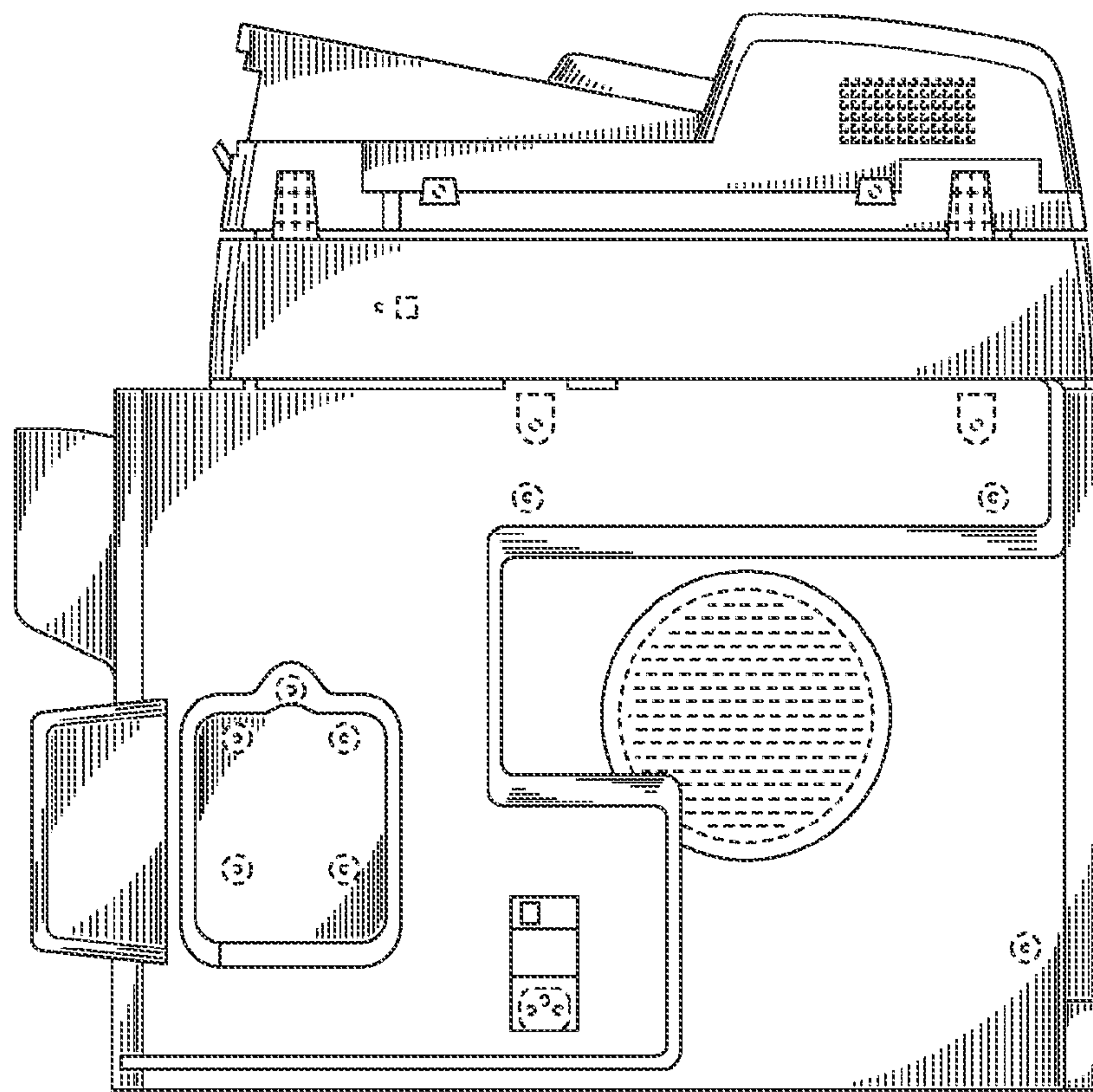


FIG. 4

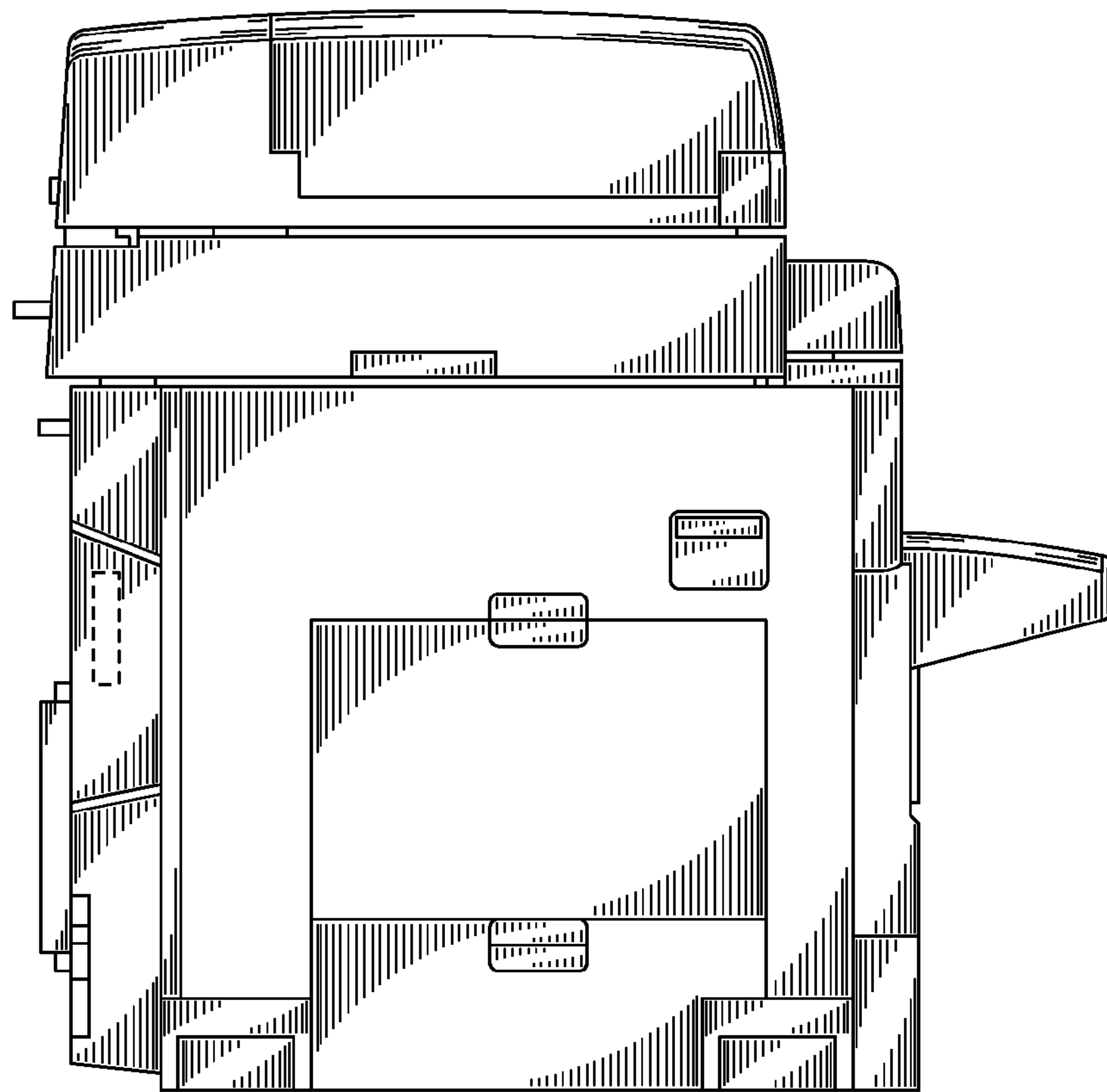


FIG. 5

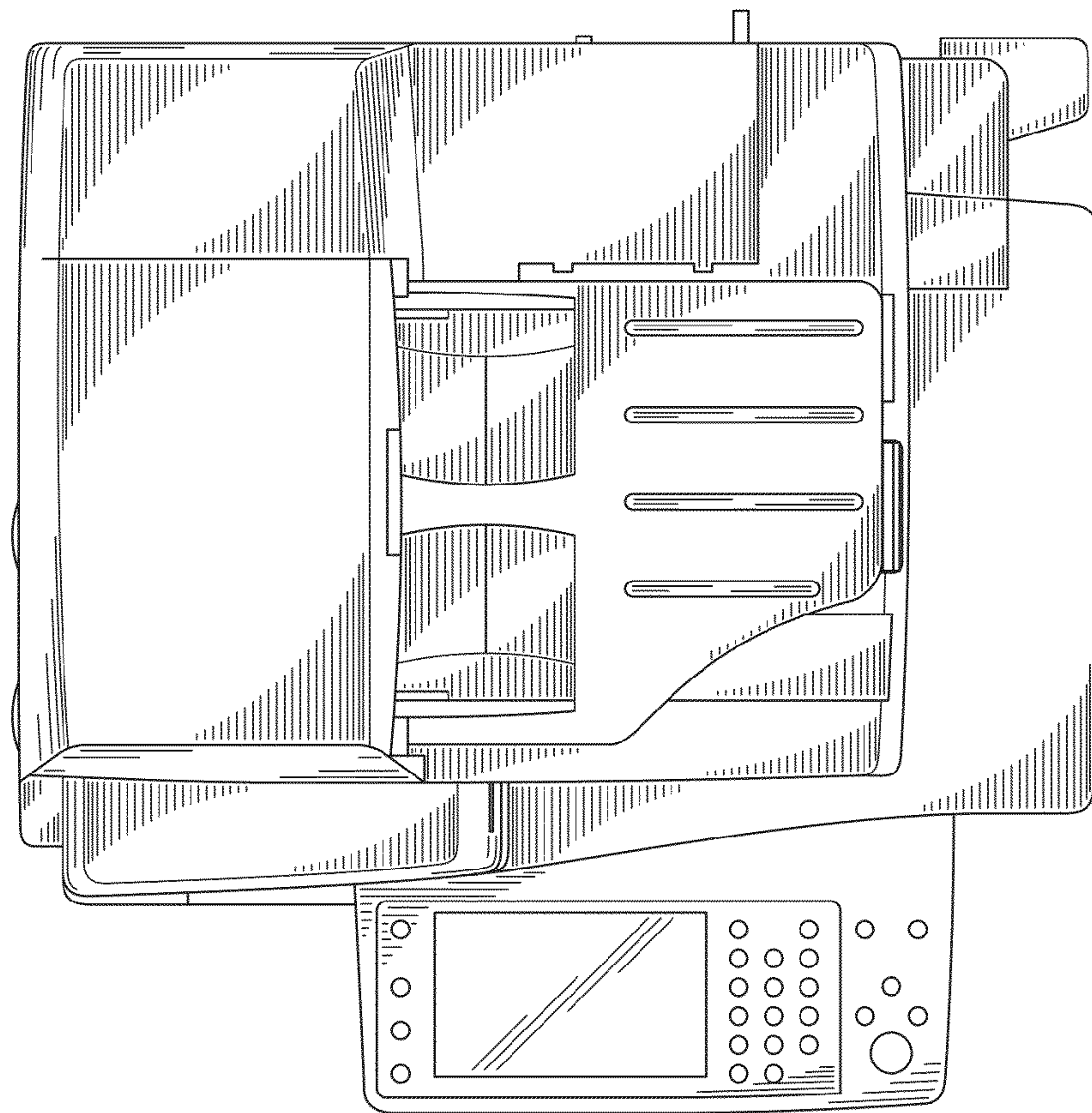


FIG. 6

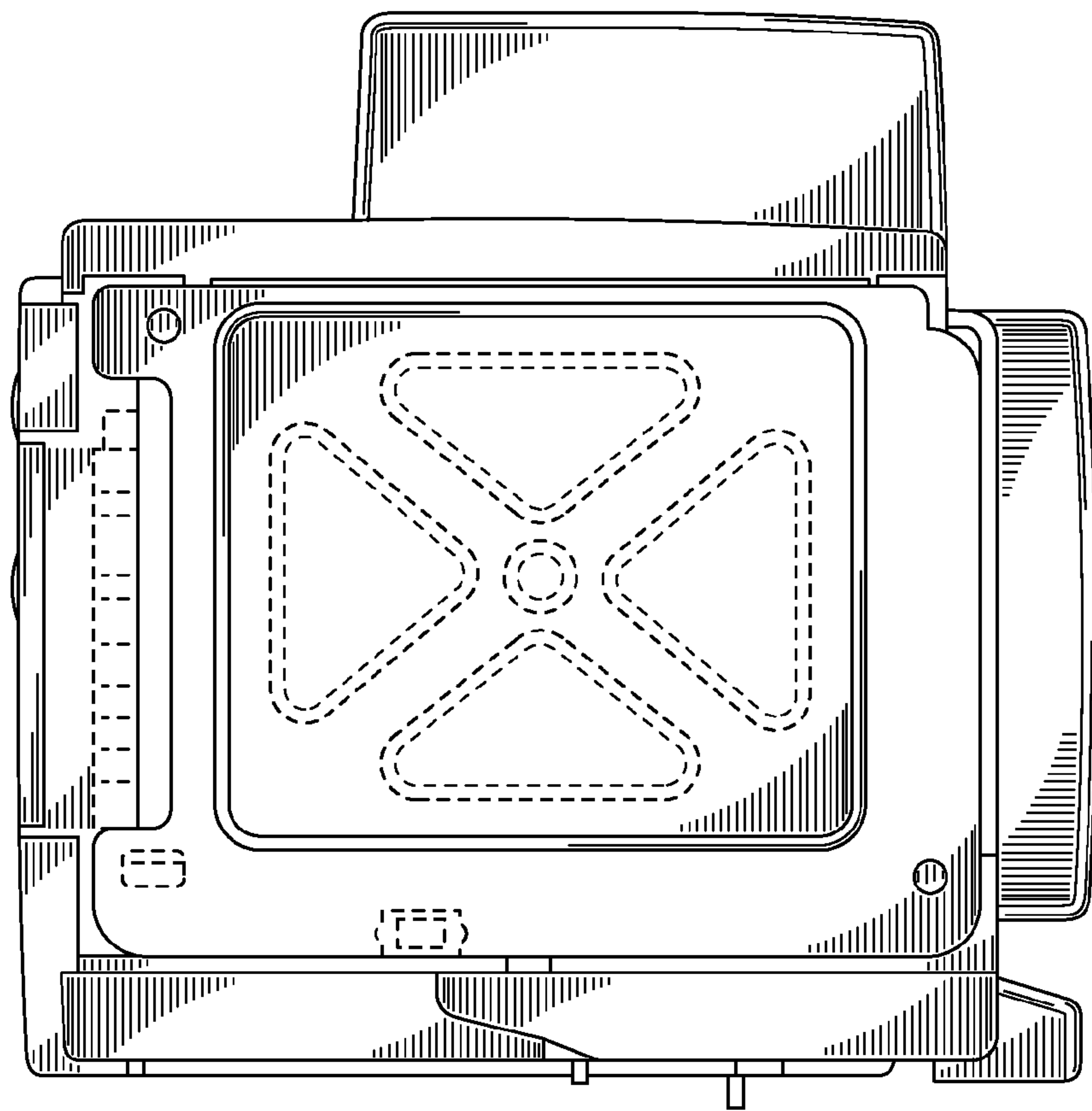


FIG. 7