



US00D702279S

(12) **United States Design Patent**
Zhan

(10) **Patent No.:** **US D702,279 S**

(45) **Date of Patent:** **** Apr. 8, 2014**

(54) **LED SPOT LIGHT FOR CAMERA**

(76) Inventor: **Xiao-Ming Zhan**, Fuzhou (CN)

(**) Term: **14 Years**

(21) Appl. No.: **29/429,635**

(22) Filed: **Aug. 14, 2012**

(51) **LOC (10) Cl.** **16-05**

(52) **U.S. Cl.**
USPC **D16/239**

(58) **Field of Classification Search**

USPC D16/237, 239, 240; D26/24, 37-38, 63,
D26/110, 113, 129; 362/3, 16-18, 182, 552;
D13/180, 182; 313/313-316

See application file for complete search history.

(56) **References Cited**

U.S. PATENT DOCUMENTS

D180,225 S *	5/1957	Dreyfuss	D16/239
D184,214 S *	1/1959	Dine et al.	D16/239
D184,215 S *	1/1959	Dine et al.	D16/239
D518,191 S *	3/2006	Griffin	D26/1
D590,074 S *	4/2009	Chang et al.	D26/1

D599,040 S *	8/2009	Alexander et al.	D26/1
D626,255 S *	10/2010	Hiratsuka	D26/1
D629,555 S *	12/2010	Hiratsuka	D26/118

* cited by examiner

Primary Examiner — Susan Bennett Hattan

Assistant Examiner — Vy Koenig

(57) **CLAIM**

The ornamental design for a LED spot light for camera, as shown and described.

DESCRIPTION

FIG. 1 is a perspective view of LED spot light for camera showing my present design,

FIG. 2 is a front view thereof;

FIG. 3 is a rear view thereof;

FIG. 4 is a left side view thereof;

FIG. 5 is a right side view thereof;

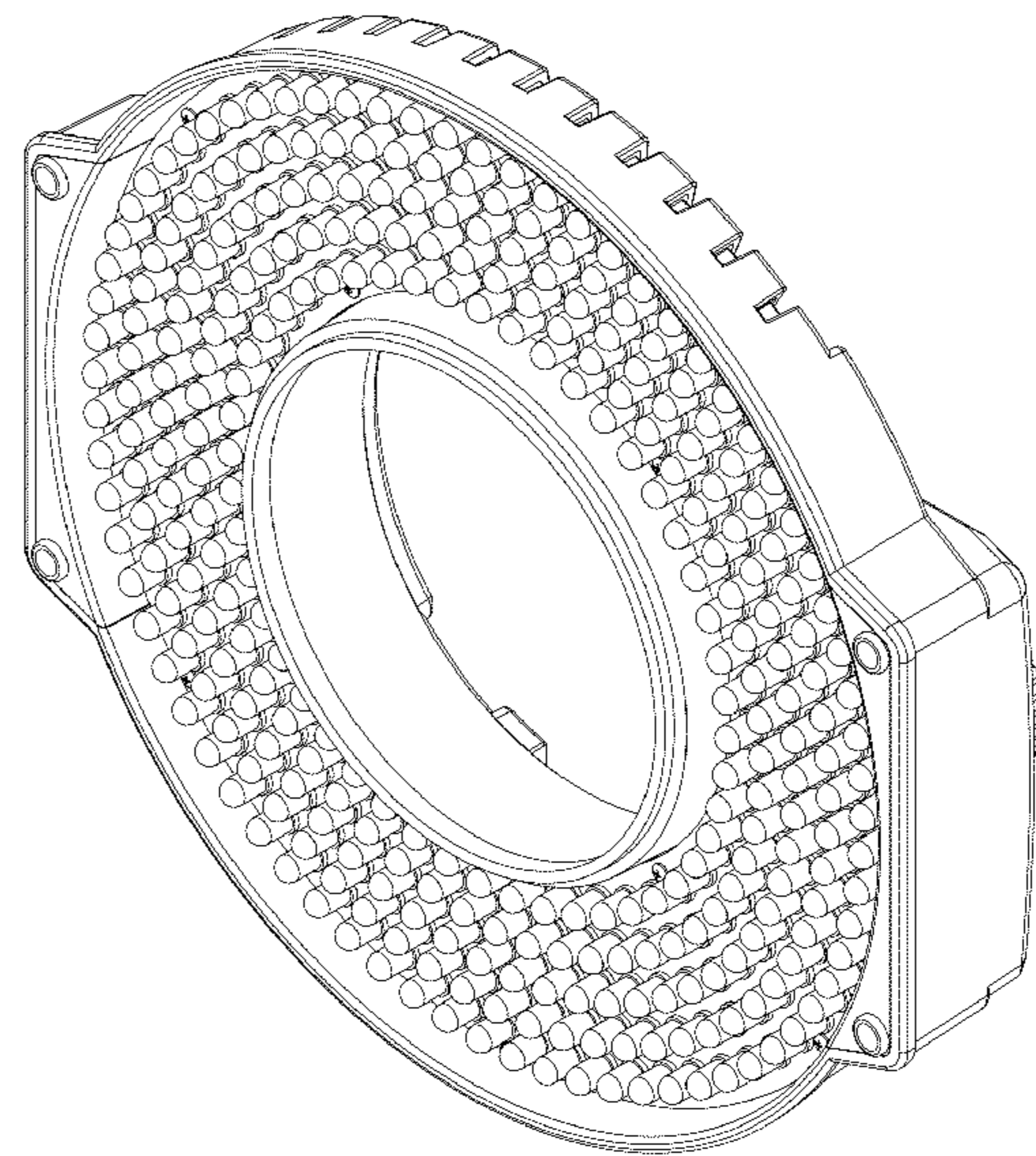
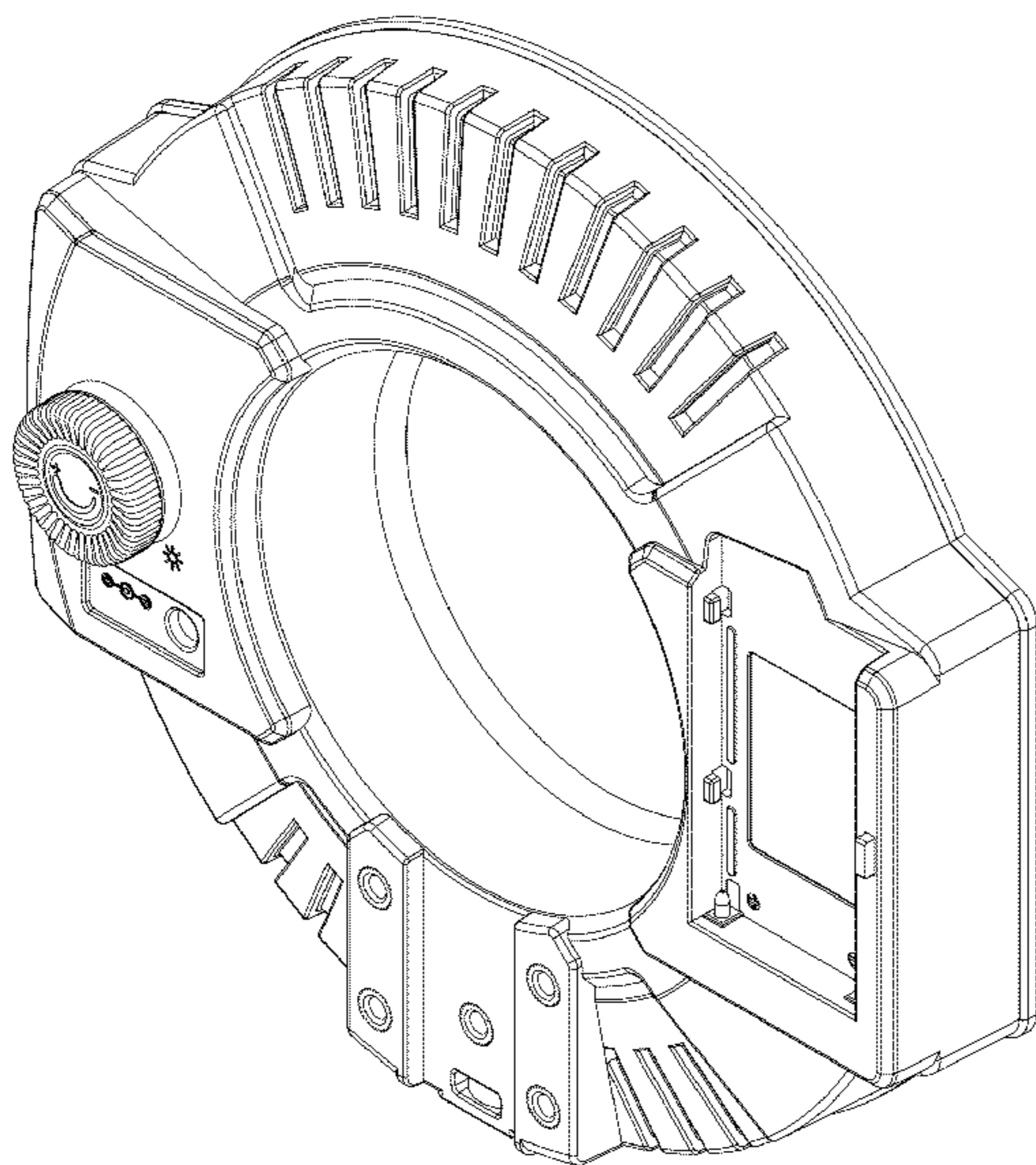
FIG. 6 is a top view thereof;

FIG. 7 is a bottom view thereof; and,

FIG. 8 is a perspective view of FIG. 3.

The broken lines shown in the drawings depict environmental features that form no part of the claimed design.

1 Claim, 8 Drawing Sheets



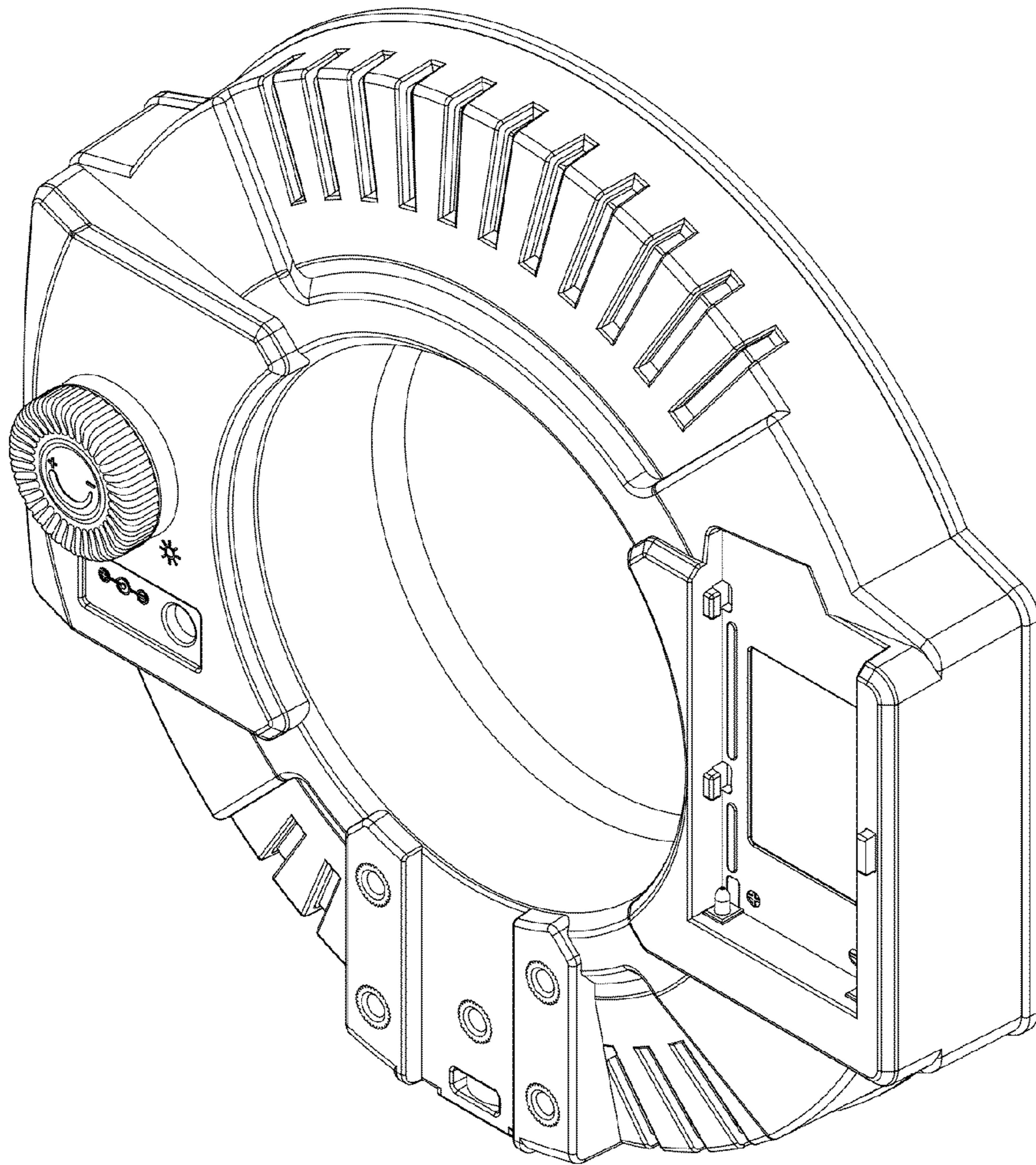


FIG. 1

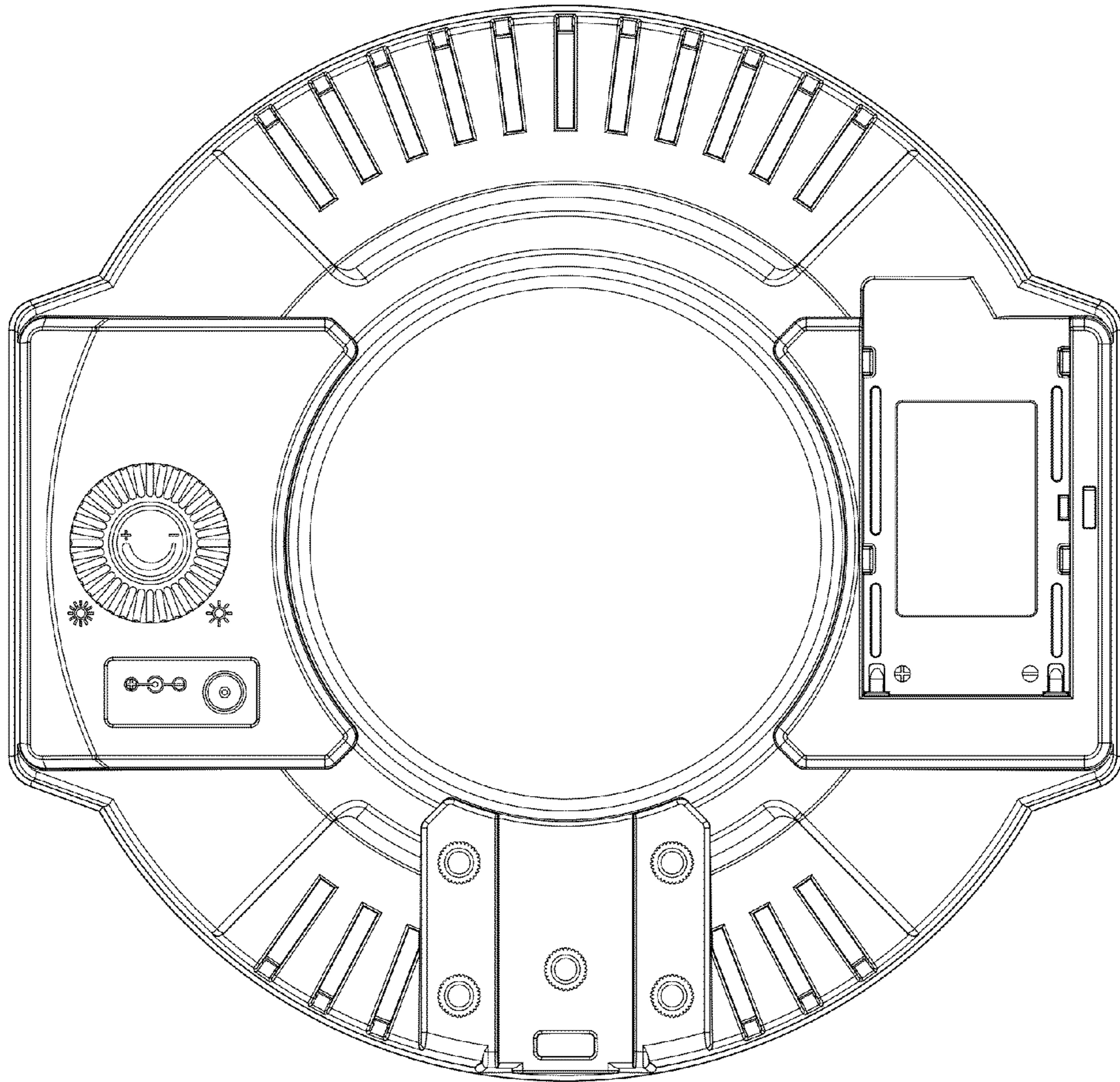


FIG. 2

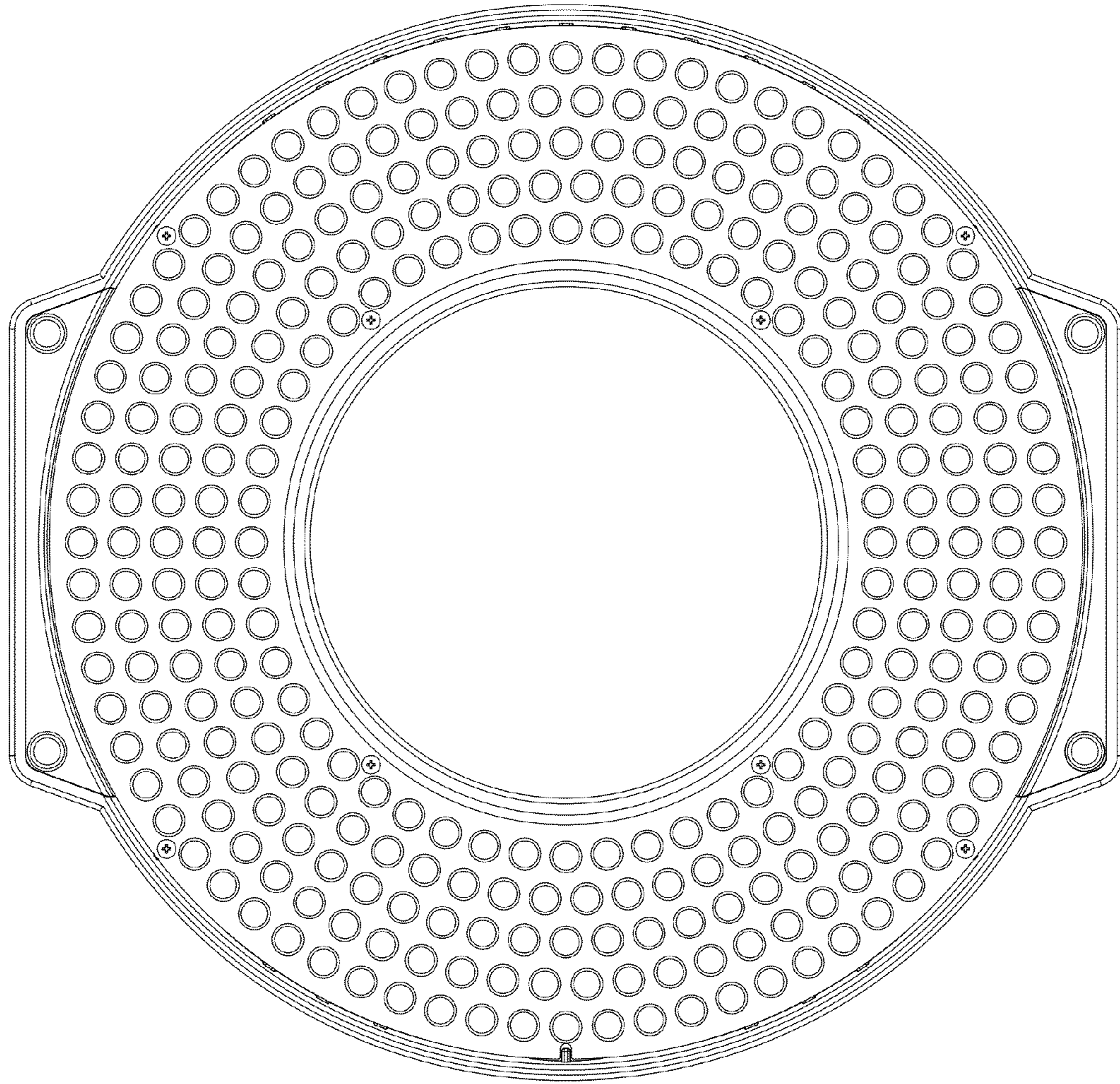


FIG. 3

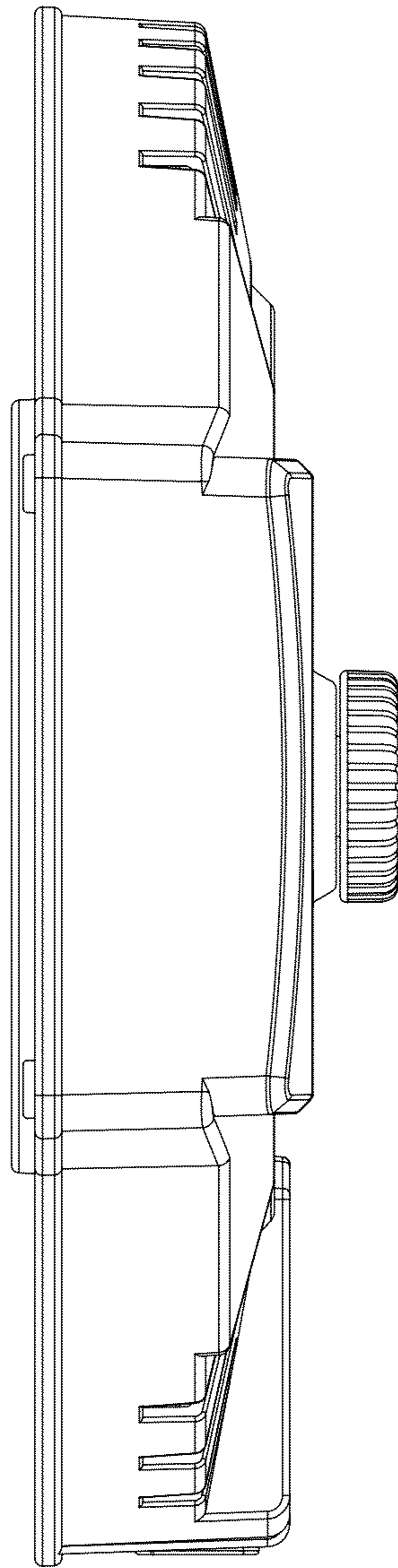


FIG. 4

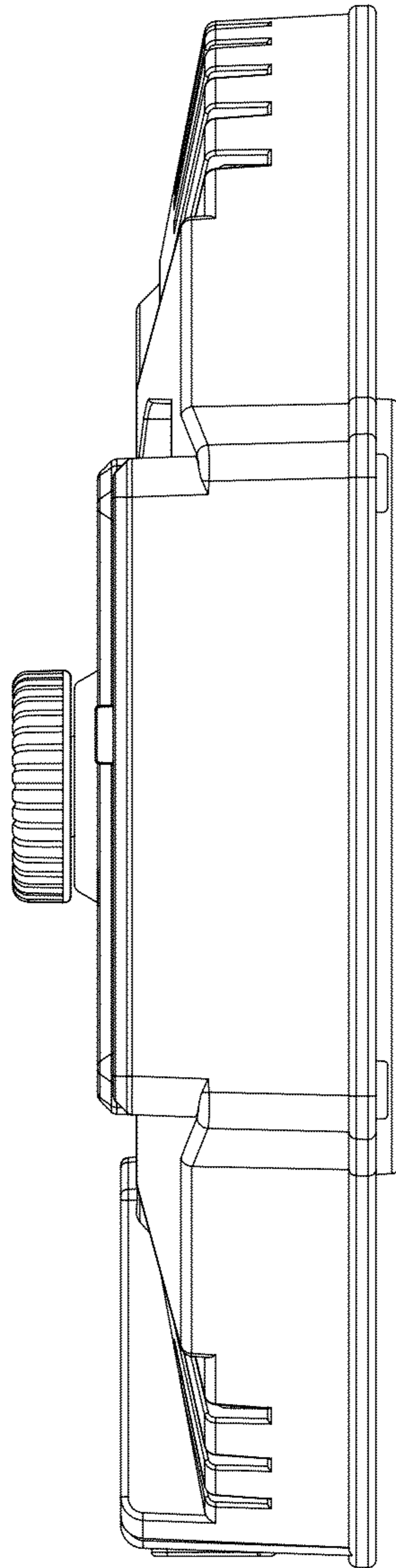


FIG. 5

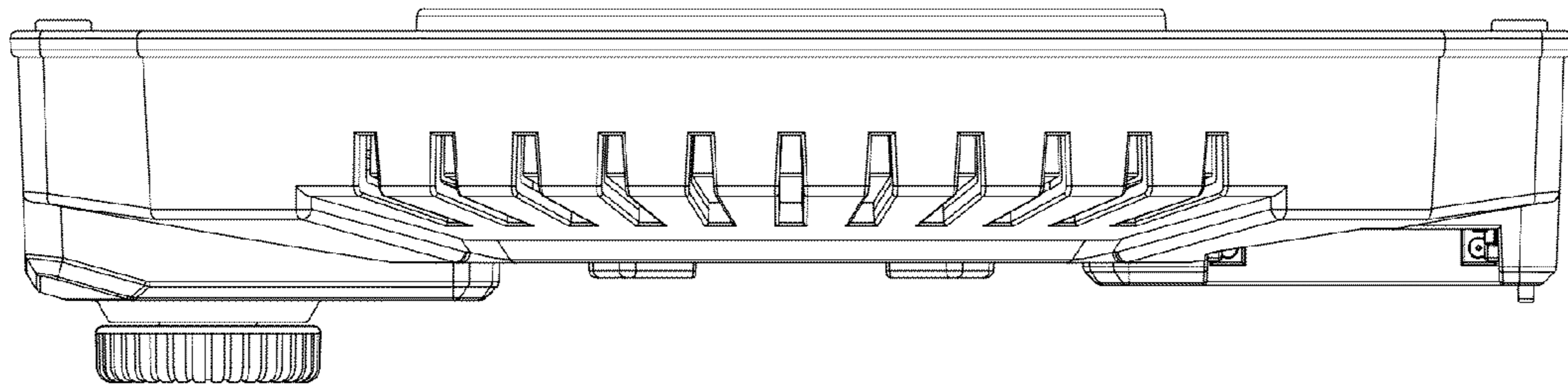


FIG. 6

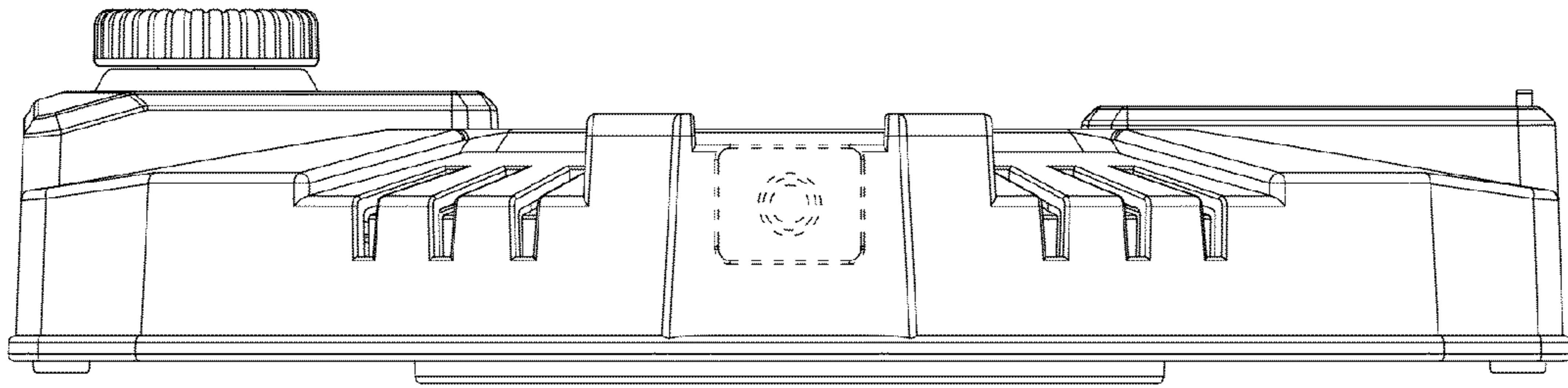


FIG. 7

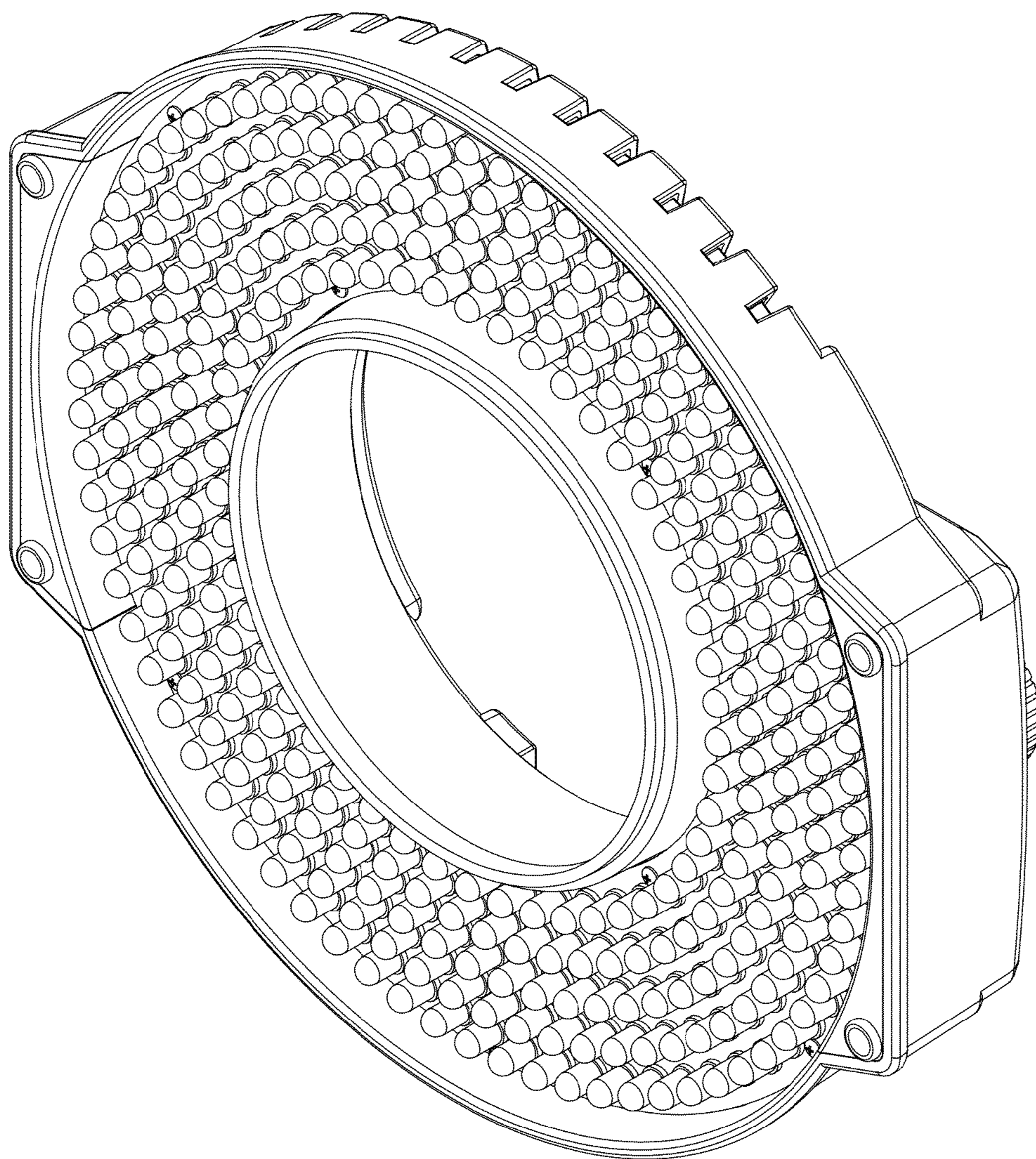


FIG. 8