



US00D702276S

(12) **United States Design Patent**  
**Woodman**

(10) **Patent No.:** **US D702,276 S**  
(45) **Date of Patent:** **\*\* Apr. 8, 2014**

(54) **CAMERA HOUSING**

(75) Inventor: **Nicholas D. Woodman**, Sausalito, CA (US)

(73) Assignee: **GoPro, Inc.**, San Mateo, CA (US)

(\*\*) Term: **14 Years**

(21) Appl. No.: **29/414,593**

(22) Filed: **Feb. 29, 2012**

**Related U.S. Application Data**

(63) Continuation of application No. 13/193,369, filed on Jul. 28, 2011, now Pat. No. 8,150,248, which is a continuation of application No. 12/498,876, filed on Jul. 7, 2009, now Pat. No. 8,014,656.

(51) **LOC (10) Cl.** ..... **16-05**

(52) **U.S. Cl.**  
USPC ..... **D16/219**

(58) **Field of Classification Search**  
USPC ..... D8/312; D16/200, 202, 204, 208, 218,  
D16/219; 348/373; 396/535, 540, 541

See application file for complete search history.

(56) **References Cited**

U.S. PATENT DOCUMENTS

D164,285 S *	8/1951	Clark .....	D16/200
D646,313 S *	10/2011	Woodman .....	D16/200
D648,364 S *	11/2011	Tsukamoto et al. ....	D16/219
D657,808 S *	4/2012	Woodman .....	D16/200
D667,041 S *	9/2012	Uehara et al. ....	D16/219

\* cited by examiner

*Primary Examiner* — Adir Aronovich

(74) *Attorney, Agent, or Firm* — Fenwick & West LLP

(57) **CLAIM**

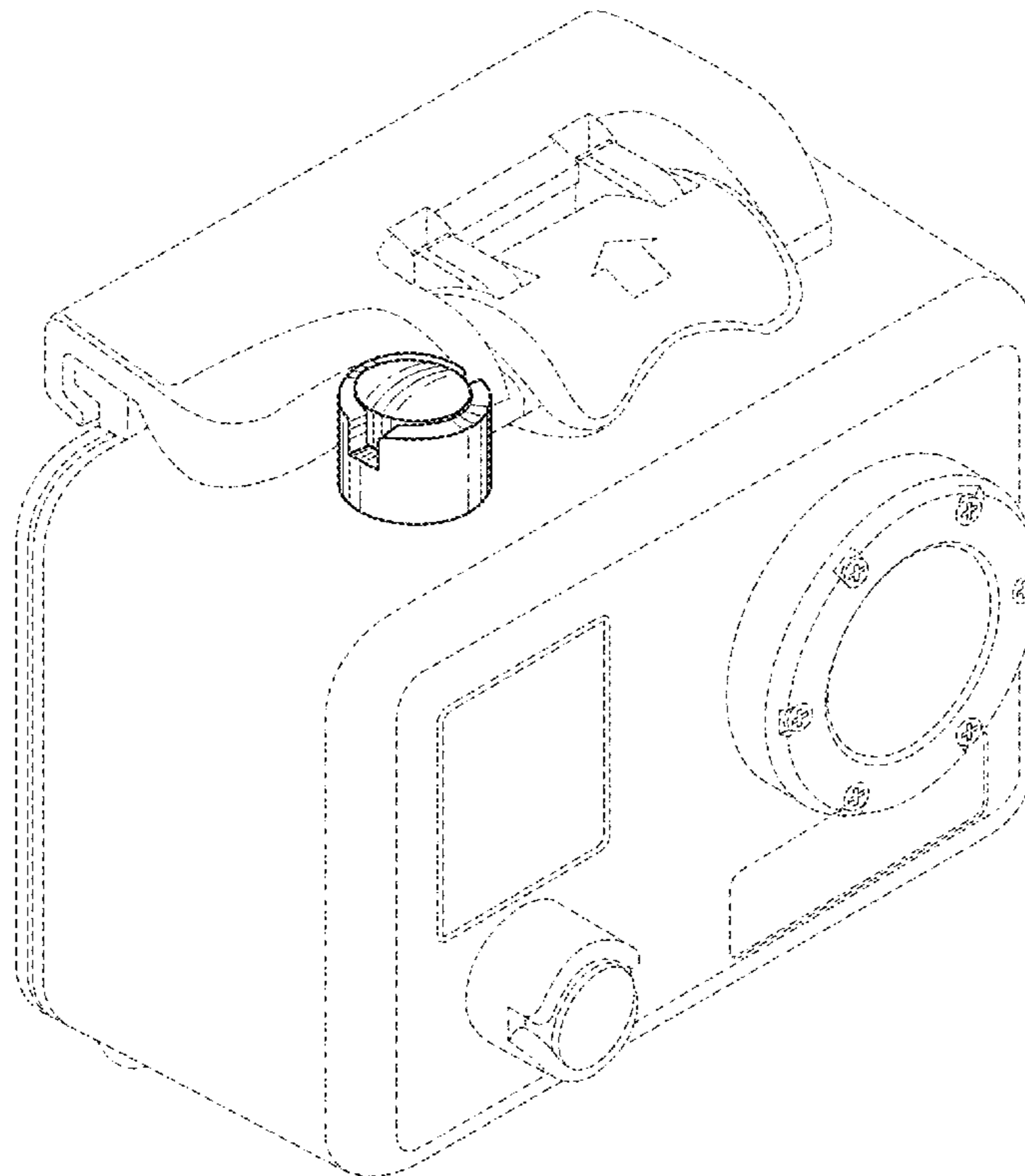
The ornamental design for a camera housing, as shown and described.

**DESCRIPTION**

FIG. 1 is a front, top and left side perspective view of a camera housing showing my new design; FIG. 2 is a front, top and right side perspective view thereof; FIG. 3 is a front elevational view thereof; FIG. 4 is a left side elevational view thereof; FIG. 5 is a right side elevational view thereof; and, FIG. 6 is a top plan view thereof.

The broken lines in the drawings showing portions of the camera housing are included for the purpose of illustrating environmental structure and form no part of the claimed design.

**1 Claim, 6 Drawing Sheets**



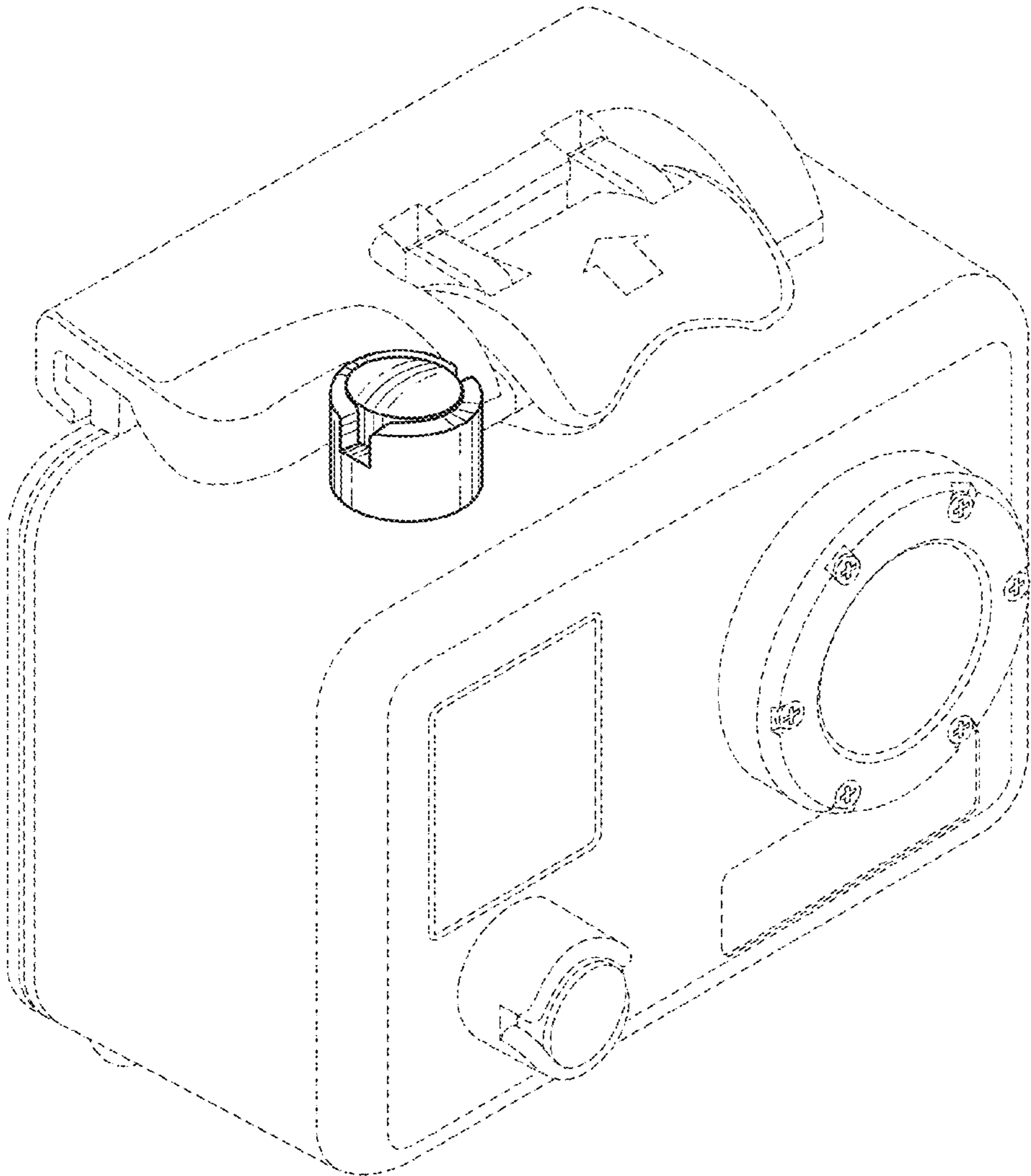


FIG. 1

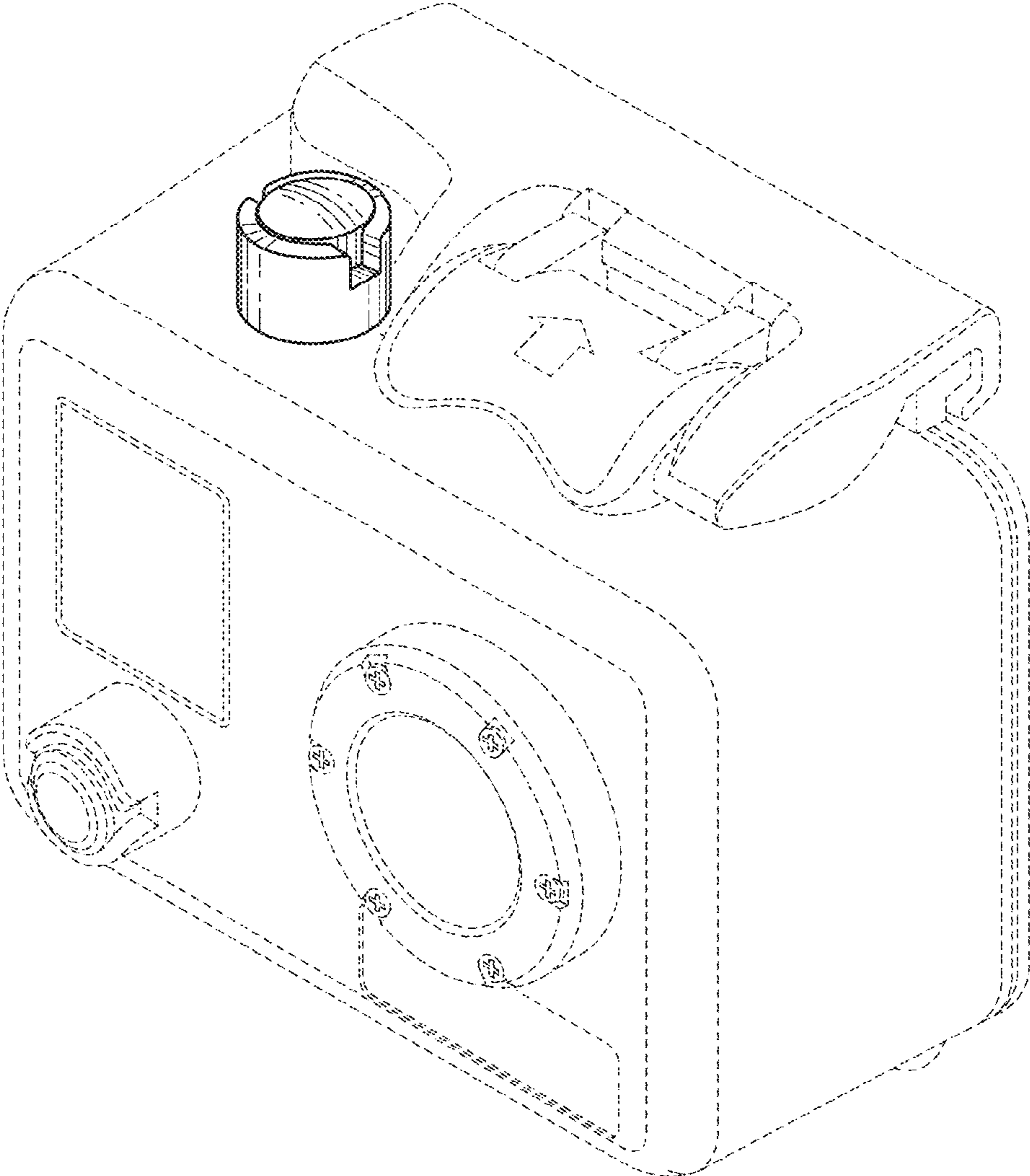


FIG. 2

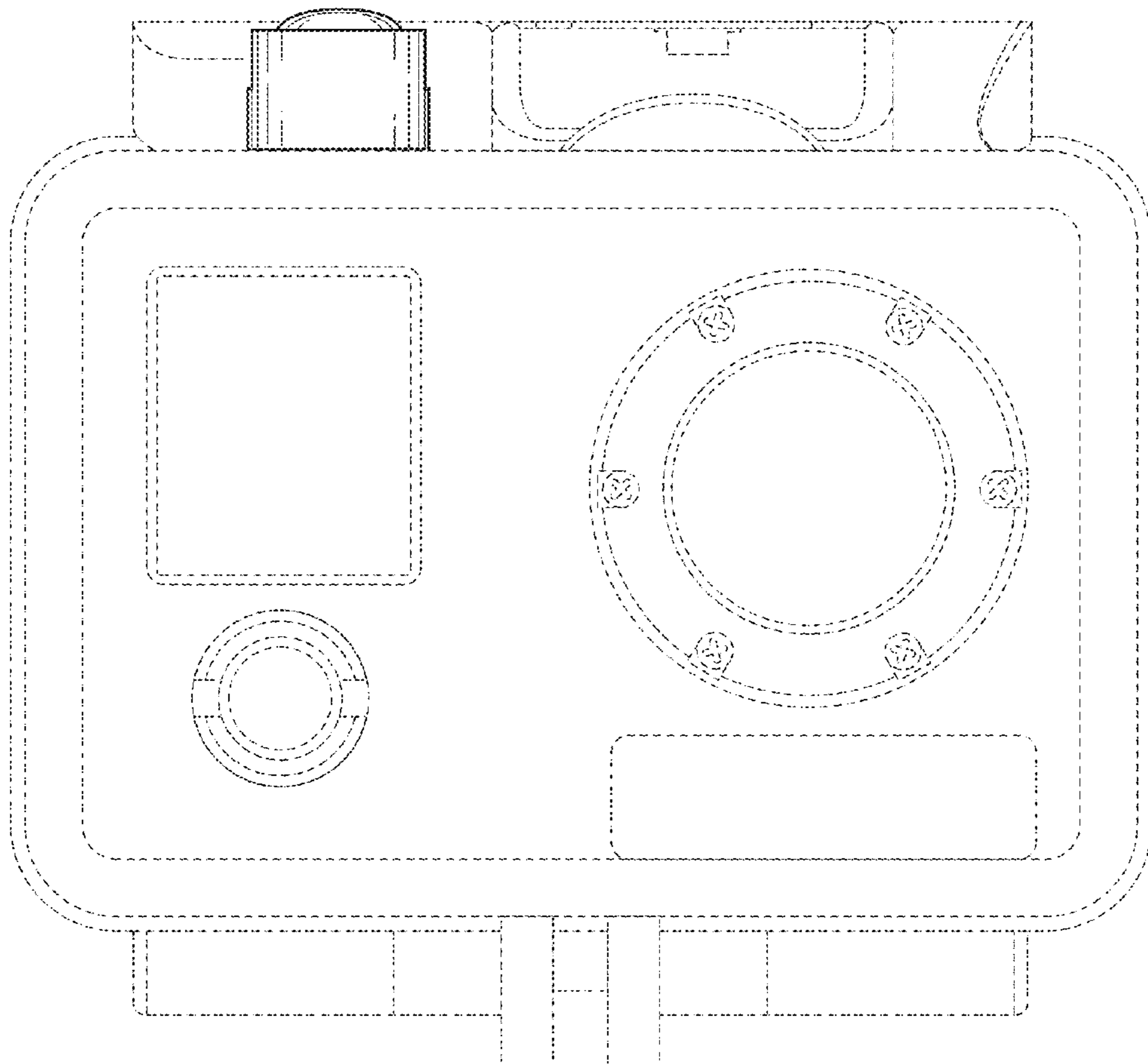


FIG. 3

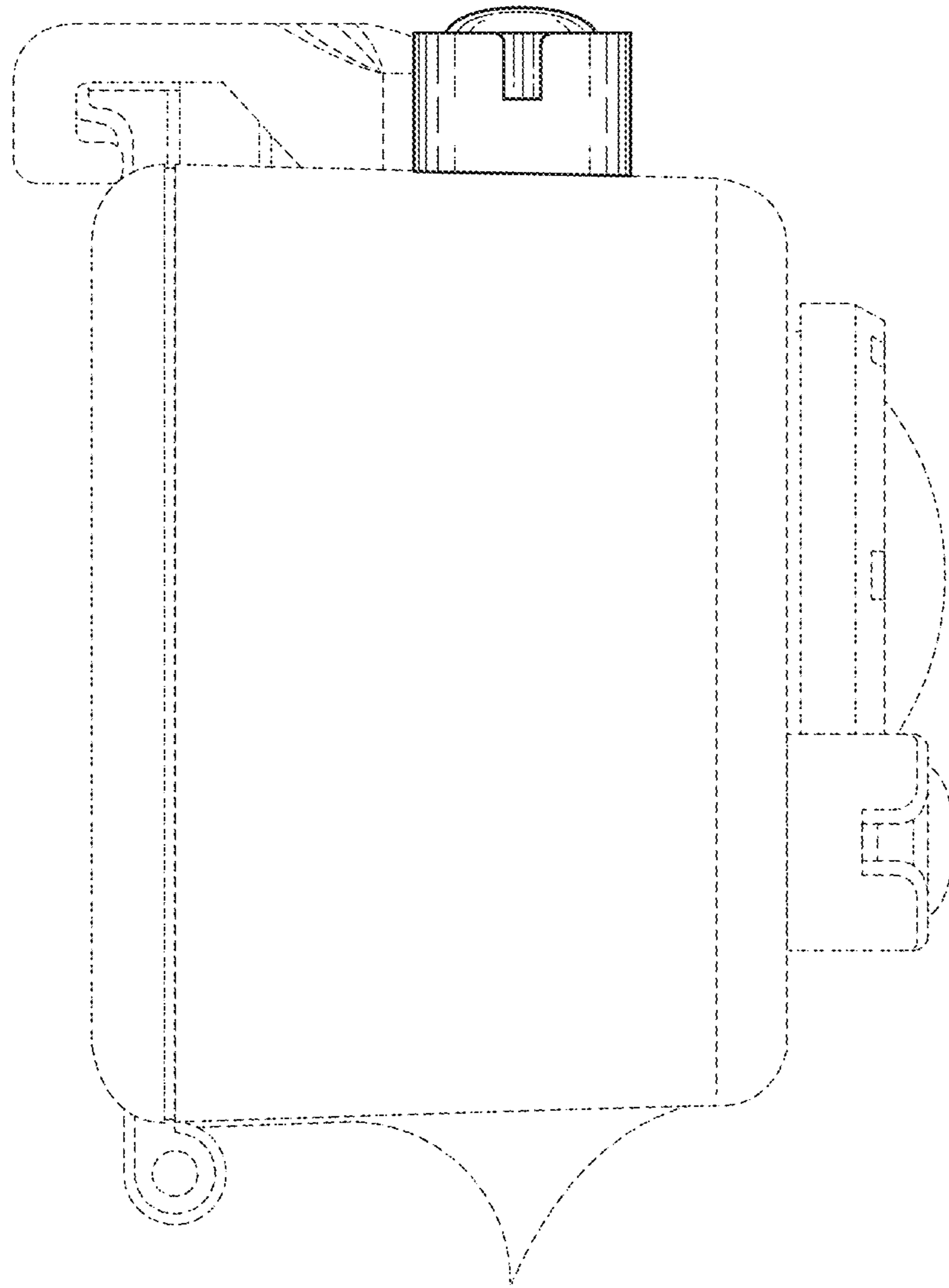


FIG. 4

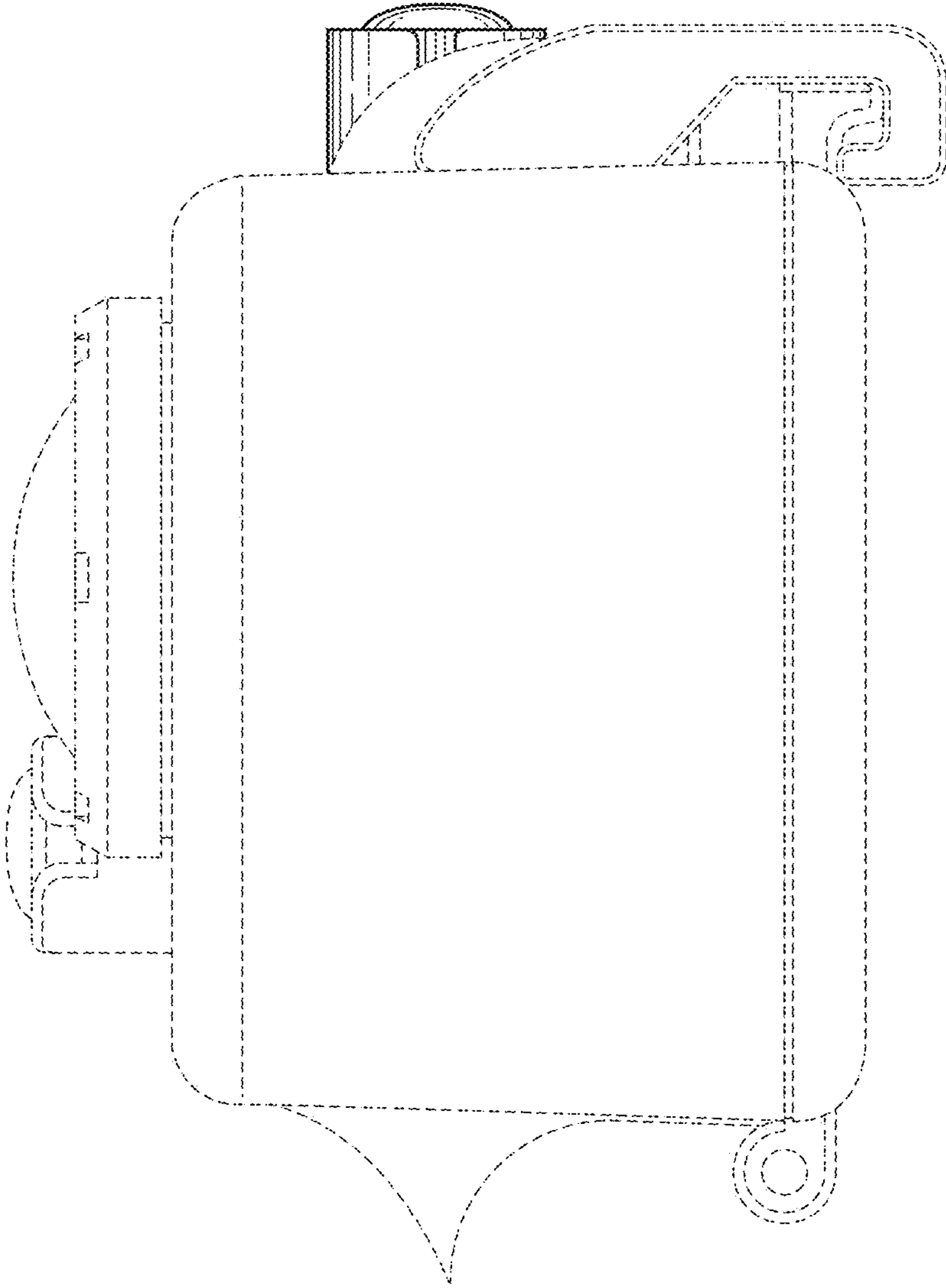


FIG. 5

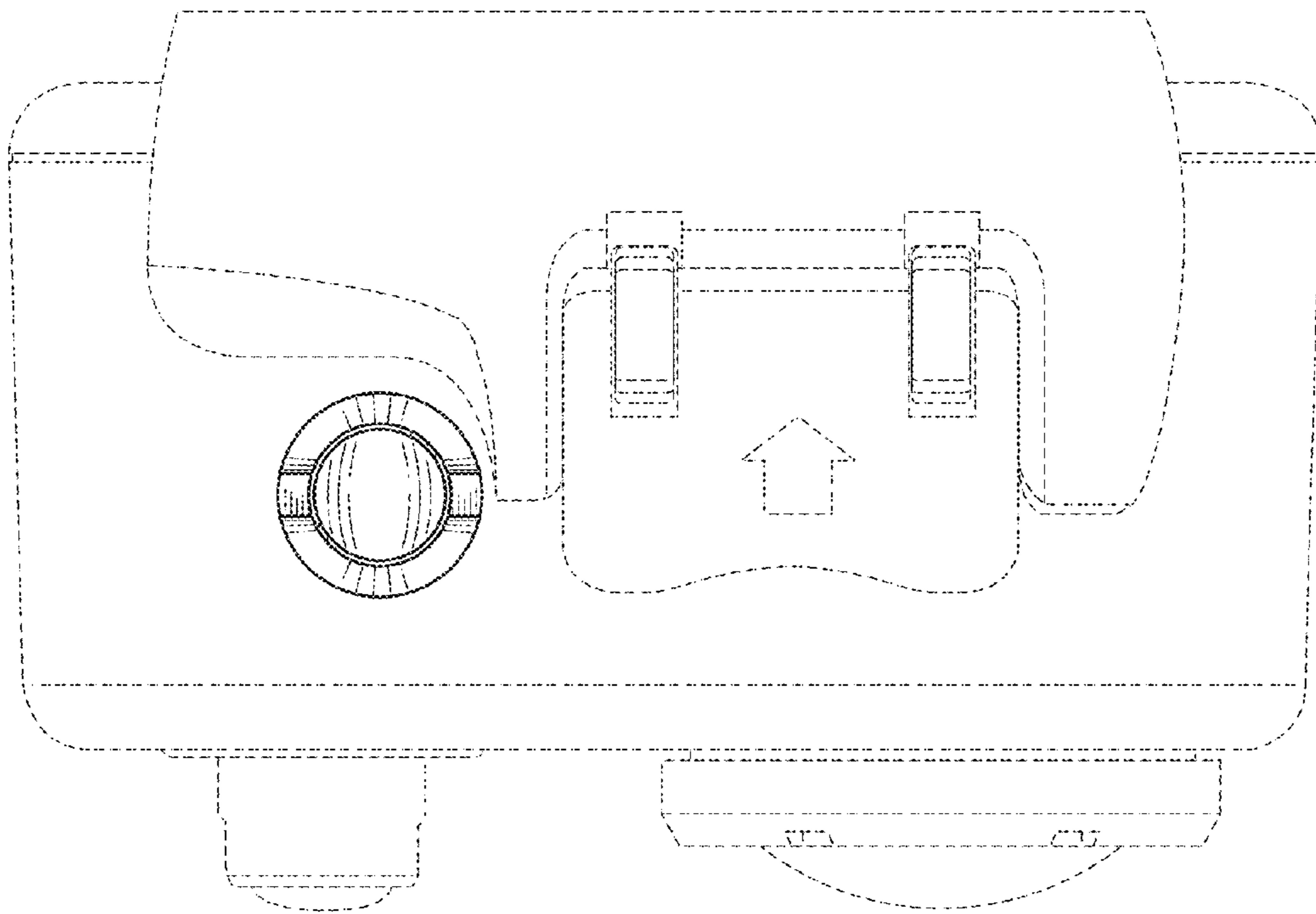


FIG. 6