



US00D702273S

(12) **United States Design Patent**  
**Kim**

(10) **Patent No.:** **US D702,273 S**

(45) **Date of Patent:** **\*\* Apr. 8, 2014**

(54) **TABLET DISTRIBUTING APPARATUS**

(71) Applicant: **JVM Co., Ltd.**, Daegu (KR)

(72) Inventor: **Jun Ho Kim**, Daegu (KR)

(73) Assignee: **JVM Co., Ltd.**, Daegu (KR)

(\*\*) Term: **14 Years**

(21) Appl. No.: **29/435,560**

(22) Filed: **Oct. 25, 2012**

(30) **Foreign Application Priority Data**

Sep. 27, 2012 (KR) ..... 30-2012-0046583

(51) **LOC (10) Cl.** ..... **15-99**

(52) **U.S. Cl.**  
USPC ..... **D15/146**

(58) **Field of Classification Search**  
USPC ..... D14/341; D15/145, 146, 199; D20/4, 5;  
53/131.4, 154, 167, 202, 279, 284.5,  
53/284.7, 370.7, 370.9, 381.1, 426, 550,  
53/563, 565; 493/184  
See application file for complete search history.

(56) **References Cited**

**U.S. PATENT DOCUMENTS**

1,370,695 A \* 3/1921 Lile ..... 414/798.2  
4,403,462 A \* 9/1983 Halbich ..... 53/392  
D386,194 S \* 11/1997 Davis ..... D15/145  
D426,563 S \* 6/2000 Yang ..... D15/145  
D454,313 S \* 3/2002 Okamoto et al. .... D10/97  
D545,854 S \* 7/2007 Sato et al. .... D15/145

D562,369 S \* 2/2008 Okamoto et al. .... D15/145  
D567,273 S \* 4/2008 Okamoto et al. .... D15/145  
D691,133 S \* 10/2013 Akana et al. .... D14/341  
2002/0090289 A1 \* 7/2002 Comulada et al. .... 414/788  
2007/0245688 A1 \* 10/2007 Detroit et al. .... 53/167  
2007/0277477 A1 \* 12/2007 Kim ..... 53/154  
2009/0235614 A1 \* 9/2009 Yuyama et al. .... 53/167  
2010/0236960 A1 \* 9/2010 Niven et al. .... 206/459.1  
2011/0154780 A1 \* 6/2011 Kodama et al. .... 53/154  
2011/0173926 A1 \* 7/2011 Yuyama et al. .... 53/167  
2011/0277419 A1 \* 11/2011 Nicoletti ..... 53/167  
2012/0031043 A1 \* 2/2012 Yuyama et al. .... 53/167

\* cited by examiner

*Primary Examiner* — Patricia Palasik

(74) *Attorney, Agent, or Firm* — Lexyoume IP Meister, PLLC

(57) **CLAIM**

The ornamental design for a tablet distributing apparatus, as shown and described.

**DESCRIPTION**

FIG. 1 is a perspective view thereof;  
FIG. 2 is a front view thereof;  
FIG. 3 is a rear view thereof;  
FIG. 4 is a left side view thereof;  
FIG. 5 is a right side view thereof;  
FIG. 6 is a top view thereof;  
FIG. 7 is a bottom view thereof;  
FIG. 8 is a perspective view for illustrating an upper cover-opened state; and,  
FIG. 9 is an exploded perspective view for illustrating inner elements thereof.

**1 Claim, 9 Drawing Sheets**

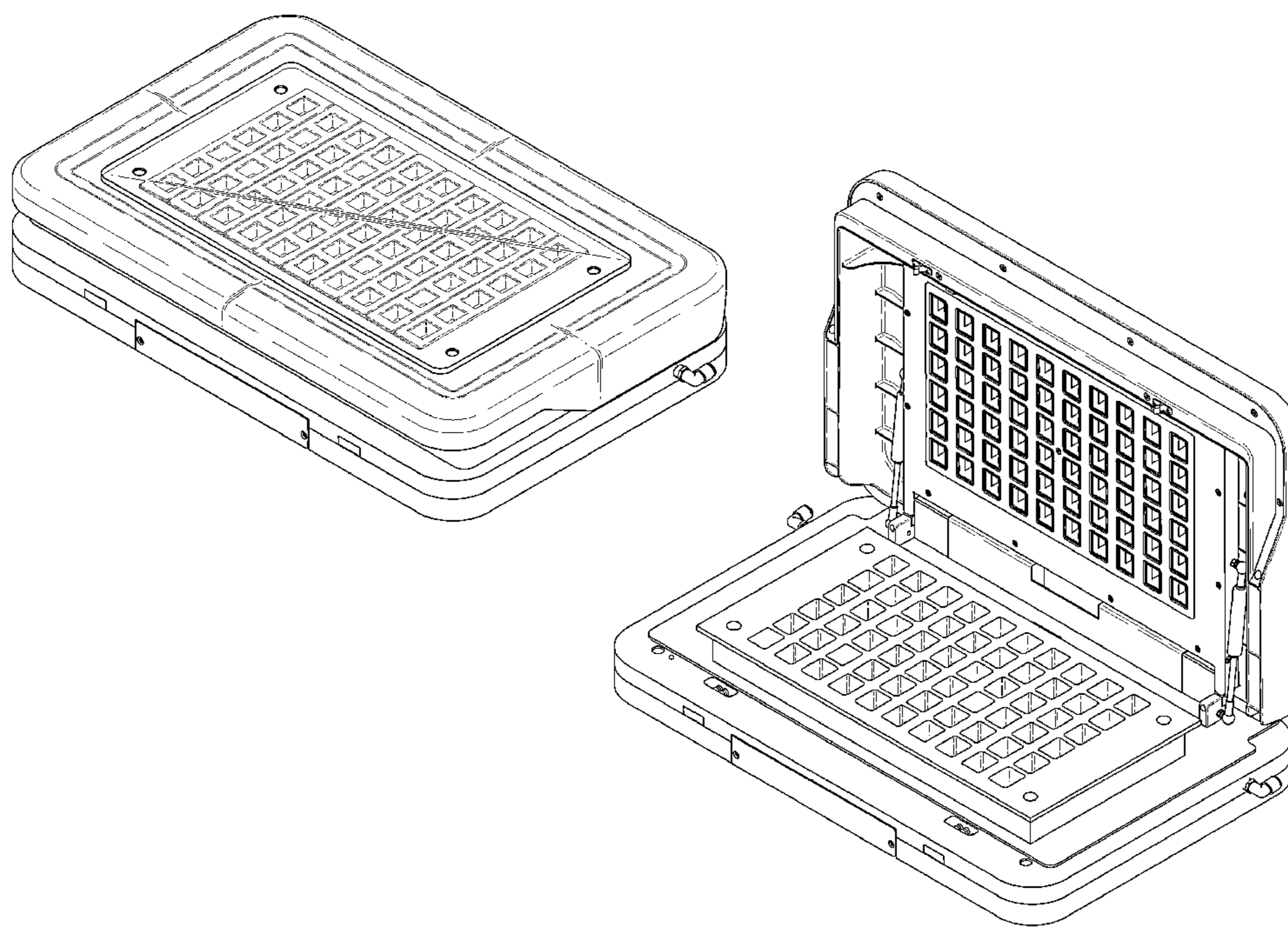


FIG. 1

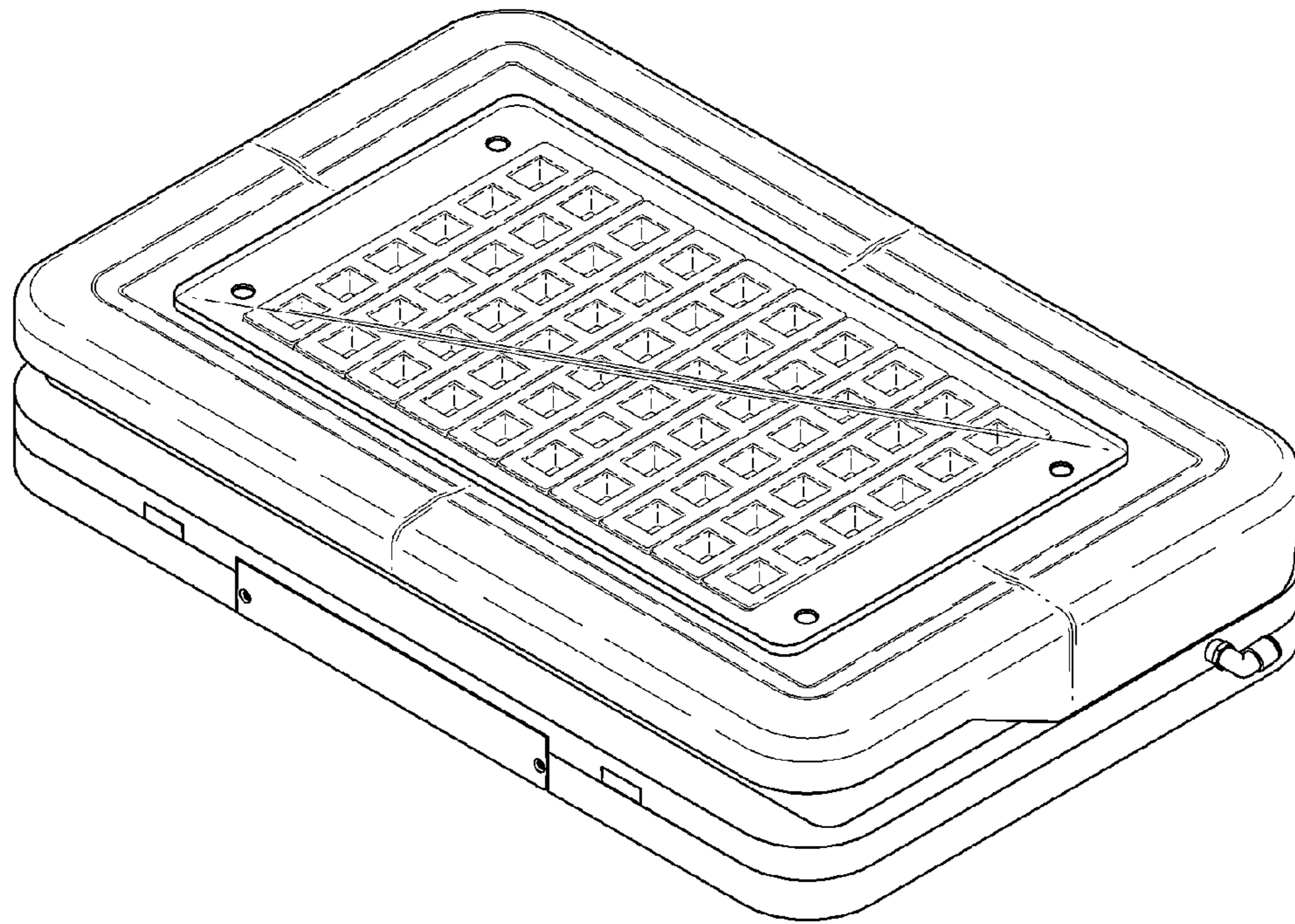


FIG. 2

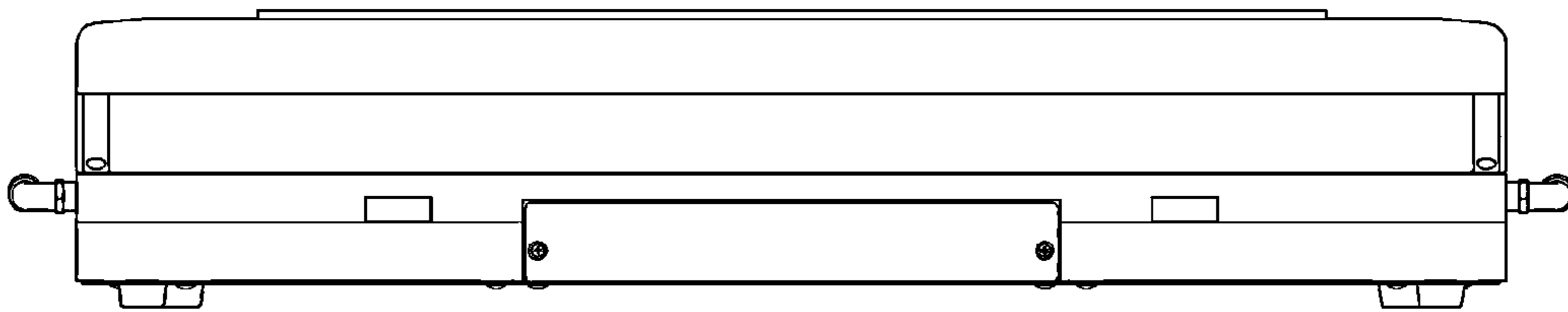


FIG. 3

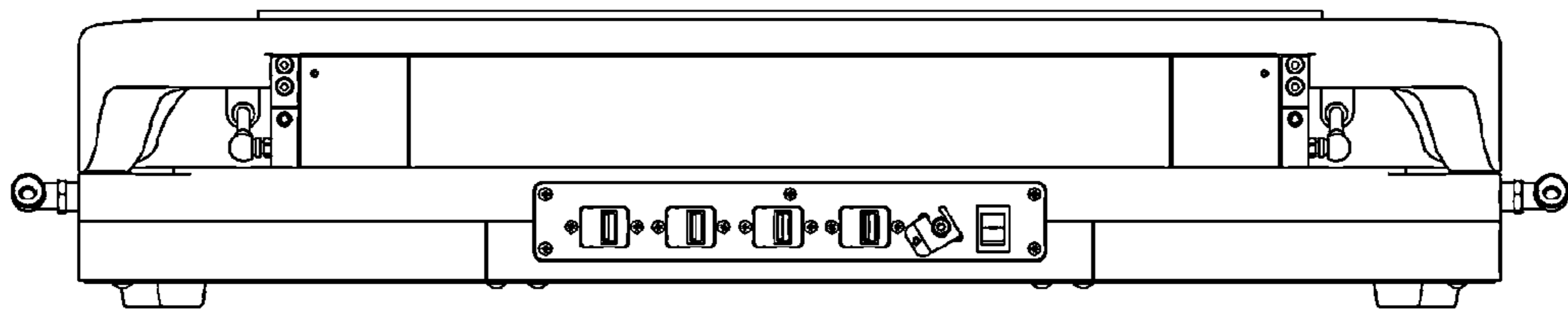
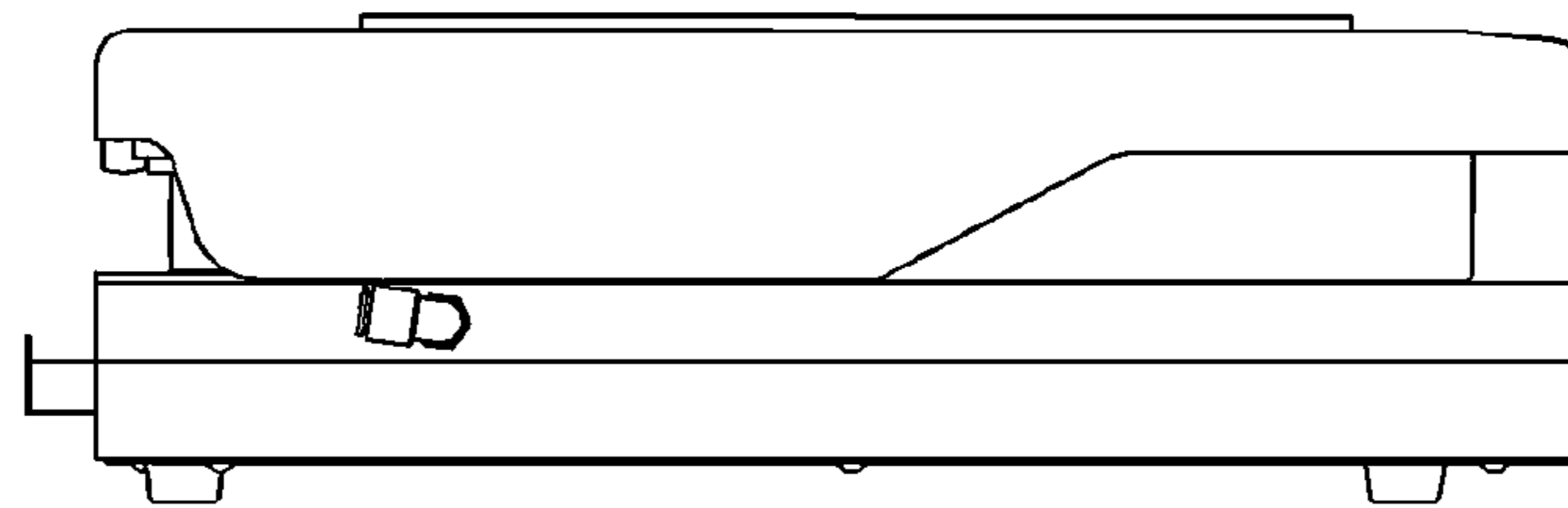


FIG. 4



**FIG. 5**

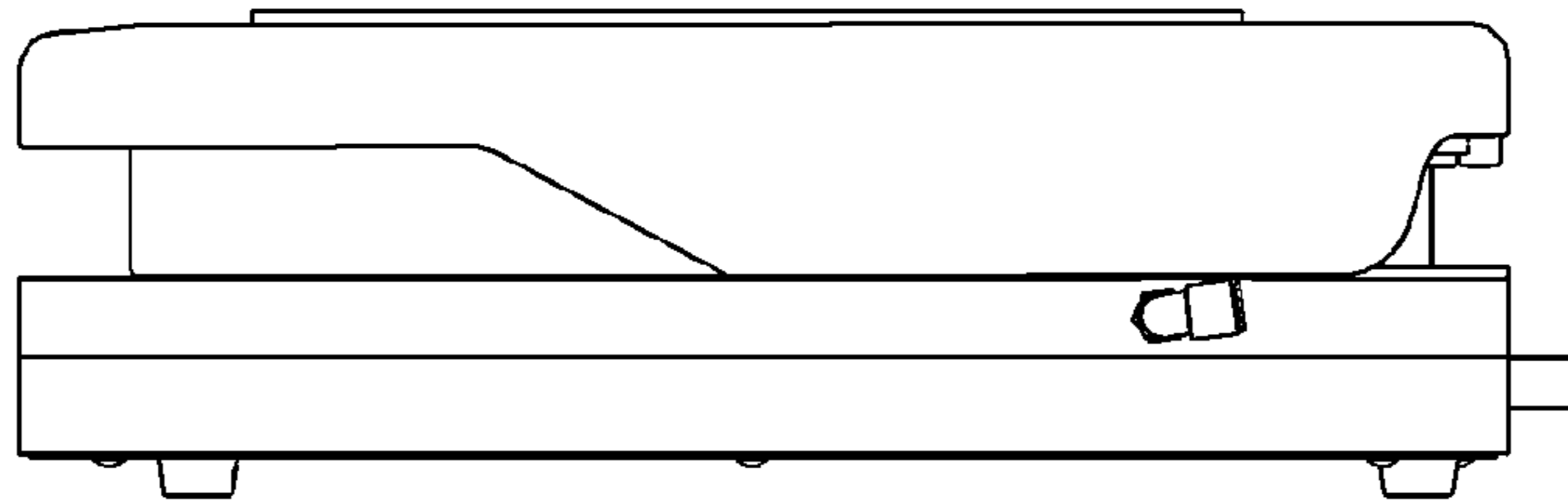




FIG. 6

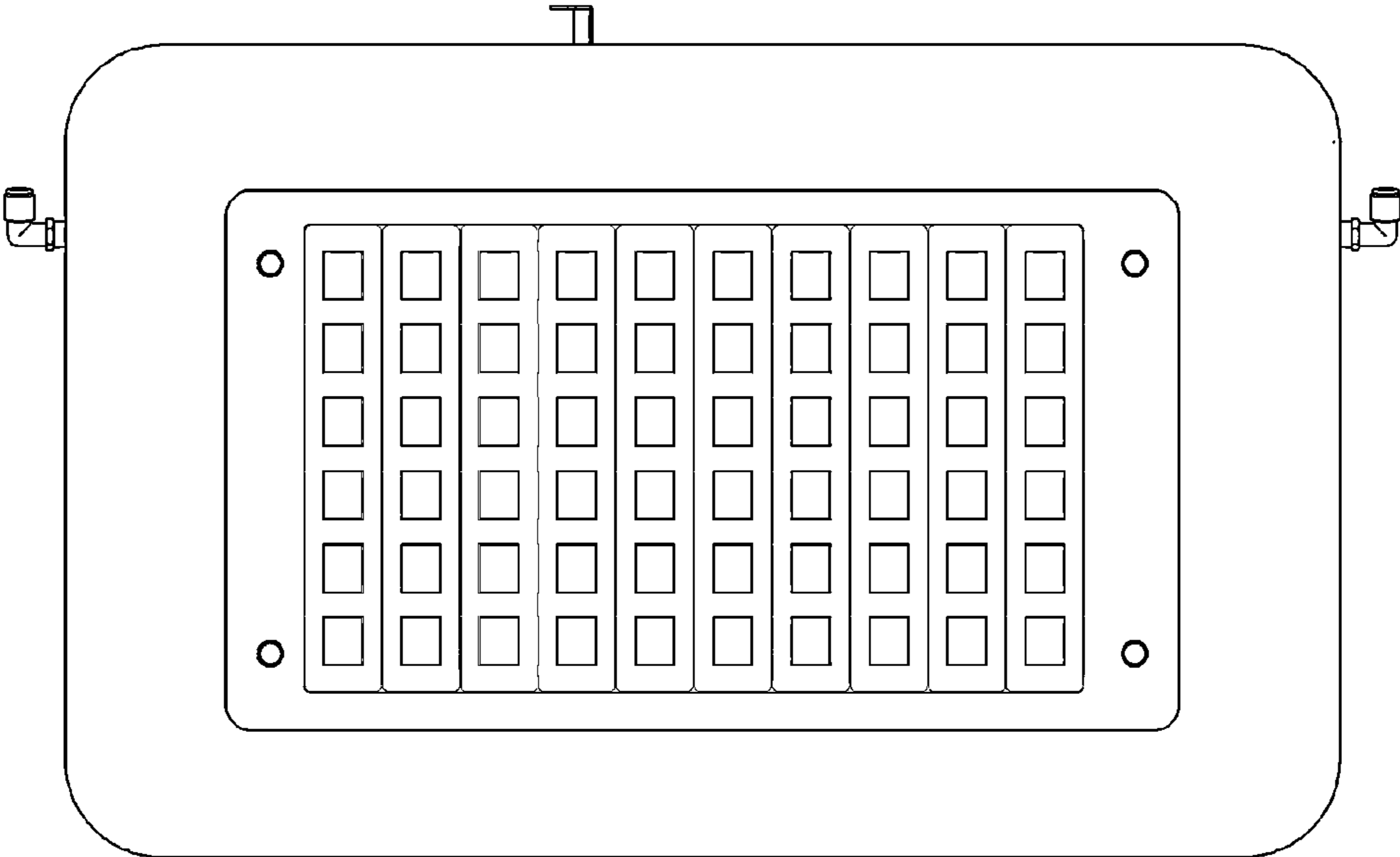


FIG. 7

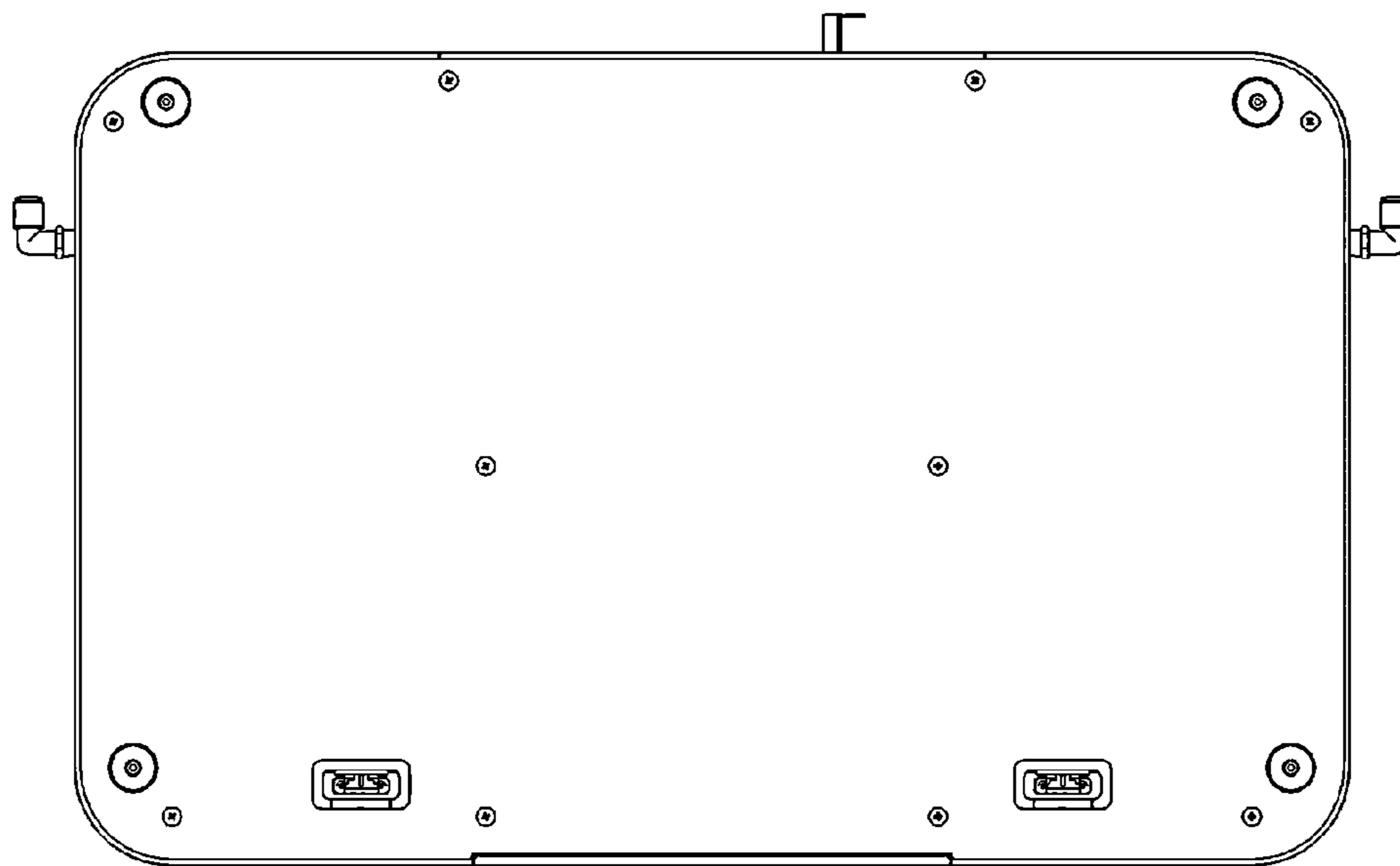




FIG. 8

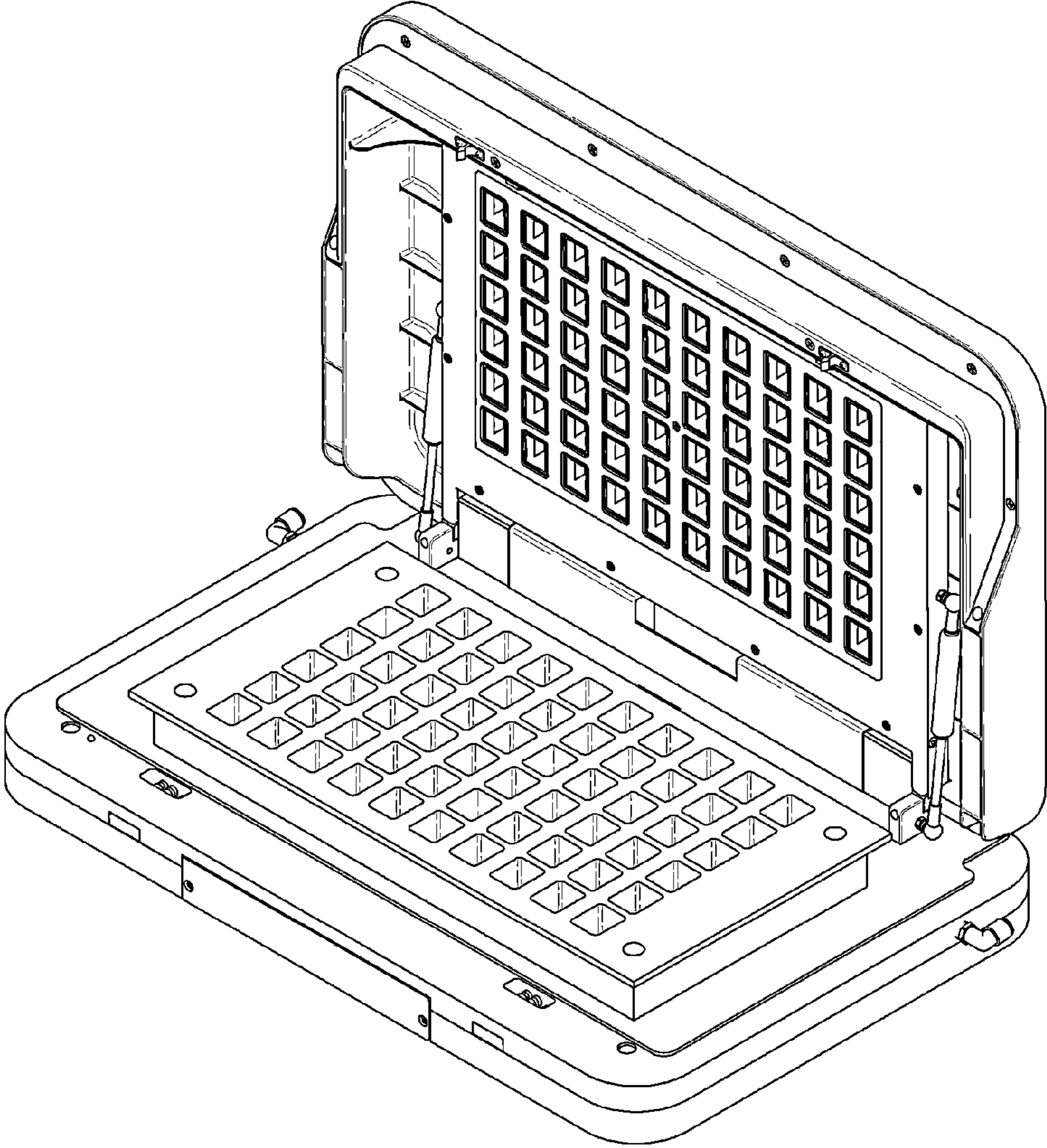


FIG. 9

