



US00D702271S

(12) **United States Design Patent**
Lin

(10) **Patent No.:** **US D702,271 S**

(45) **Date of Patent:** **** Apr. 8, 2014**

(54) **LINEAR ACTUATOR**

(71) Applicant: **Timotion Technology Co., Ltd.**, New Taipei (TW)

(72) Inventor: **Yu-Chang Lin**, New Taipei (TW)

(73) Assignee: **Timotion Technology Co., Ltd.**, New Taipei (TW)

(**) Term: **14 Years**

(21) Appl. No.: **29/471,241**

(22) Filed: **Oct. 30, 2013**

(51) **LOC (10) Cl.** **15-09**

(52) **U.S. Cl.**
USPC **D15/143; D15/199**

(58) **Field of Classification Search**
USPC D13/118, 158, 162, 184; D15/1-5, 7, 9, D15/143, 148, 149, 199; 74/89.15, 90.15, 74/411.5, 411, 54, 490.09; 297/14, 325, 297/327; 310/10, 12, 15, 20, 20.8, 80, 300
See application file for complete search history.

(56) **References Cited**

U.S. PATENT DOCUMENTS

D289,164 S *	4/1987	Carr	D14/231
D333,666 S *	3/1993	Kawashima et al.	D15/142
D399,491 S *	10/1998	Nagai et al.	D13/158
D399,830 S *	10/1998	Nagai et al.	D13/158
D413,129 S *	8/1999	Nagai et al.	D15/199
D417,457 S *	12/1999	Asahara	D15/7

6,400,047 B1 *	6/2002	Hartrampf et al.	310/12.33
D578,147 S *	10/2008	Fukano et al.	D15/143
D587,733 S *	3/2009	Niedermeyer	D15/143
D589,459 S *	3/2009	Iida	D13/158
D611,514 S *	3/2010	Fukano et al.	D15/143
D624,099 S *	9/2010	Fukano et al.	D15/143
D624,572 S *	9/2010	Fukano et al.	D15/143
D650,401 S *	12/2011	Fukano et al.	D15/143
D656,169 S *	3/2012	Fukano et al.	D15/143
D686,257 S *	7/2013	Wu	D15/143
2006/0279140 A1 *	12/2006	Jenny	310/12

* cited by examiner

Primary Examiner — Patricia Palasik

(74) *Attorney, Agent, or Firm* — Chun-Ming Shih; HDLS IPR Services

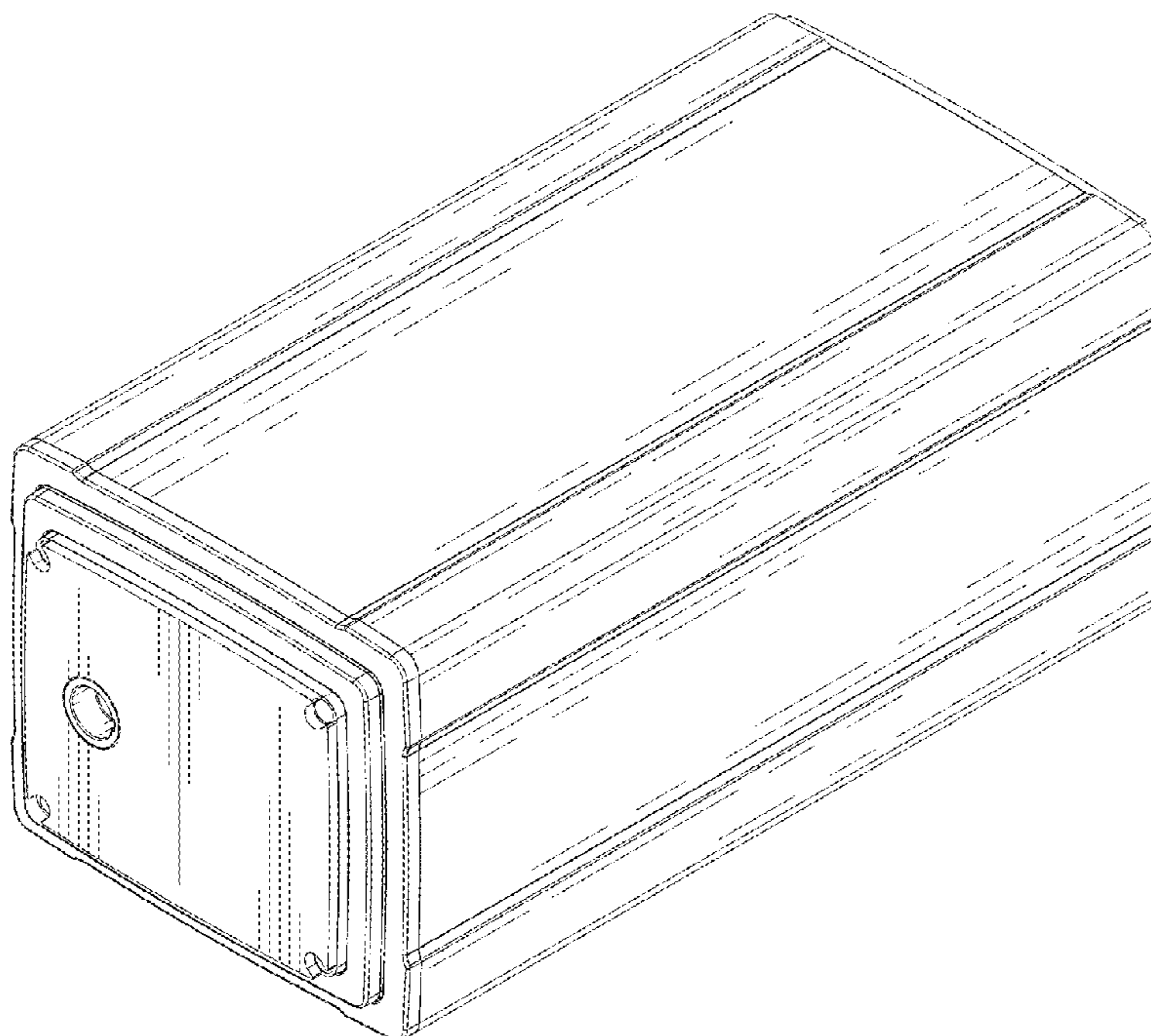
(57) **CLAIM**

The ornamental design for a linear actuator, as shown and described.

DESCRIPTION

FIG. 1 is a perspective view of a linear actuator showing my new design;
FIG. 2 is a front view thereof;
FIG. 3 is a rear view thereof;
FIG. 4 is a left side view thereof;
FIG. 5 is a right side view thereof;
FIG. 6 is a top view thereof;
FIG. 7 is a bottom view thereof;
FIG. 8 is another perspective view showing the linear actuator; and,
FIG. 9 is a perspective view of the linear actuator in use.

1 Claim, 7 Drawing Sheets



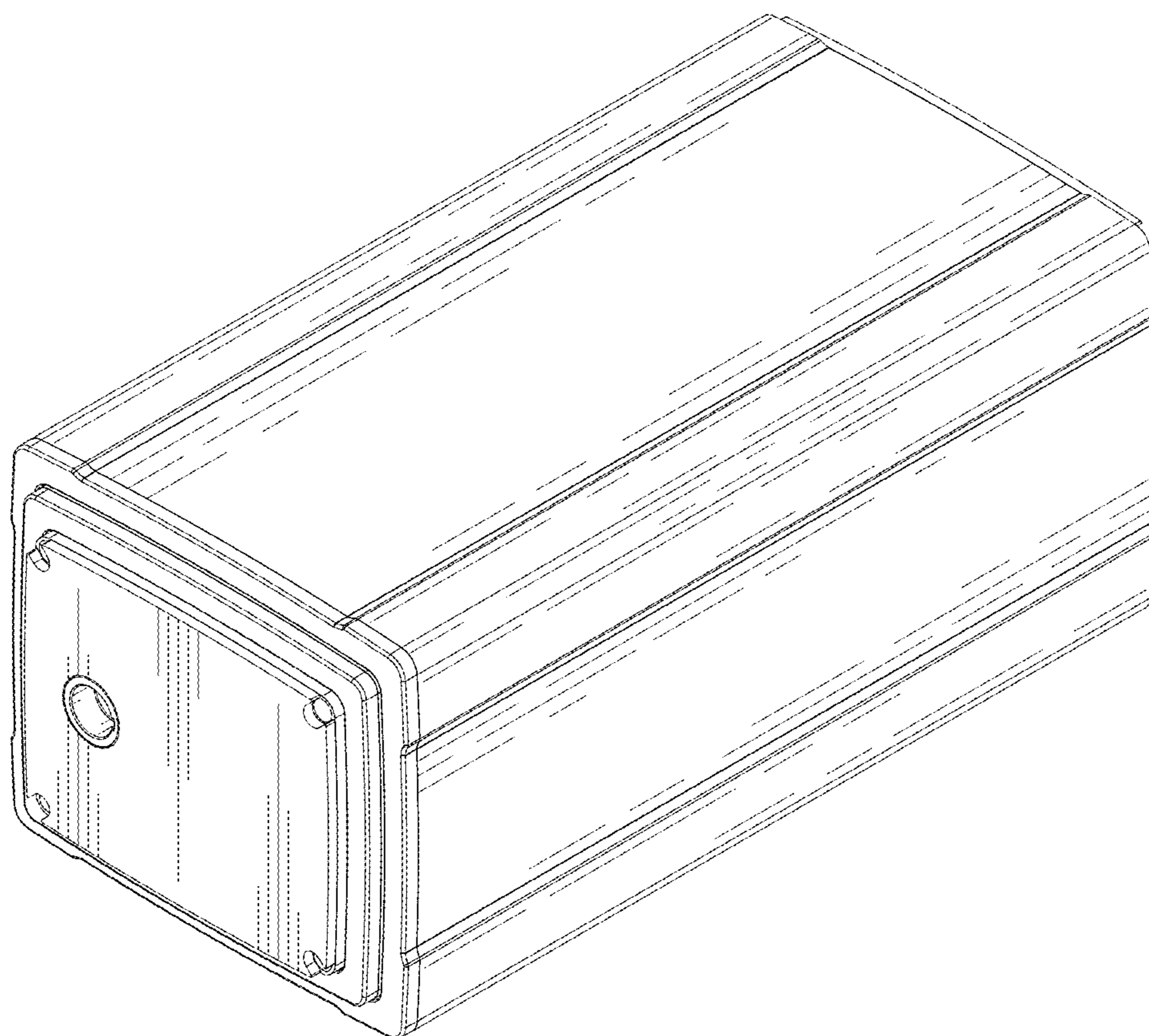


FIG.1

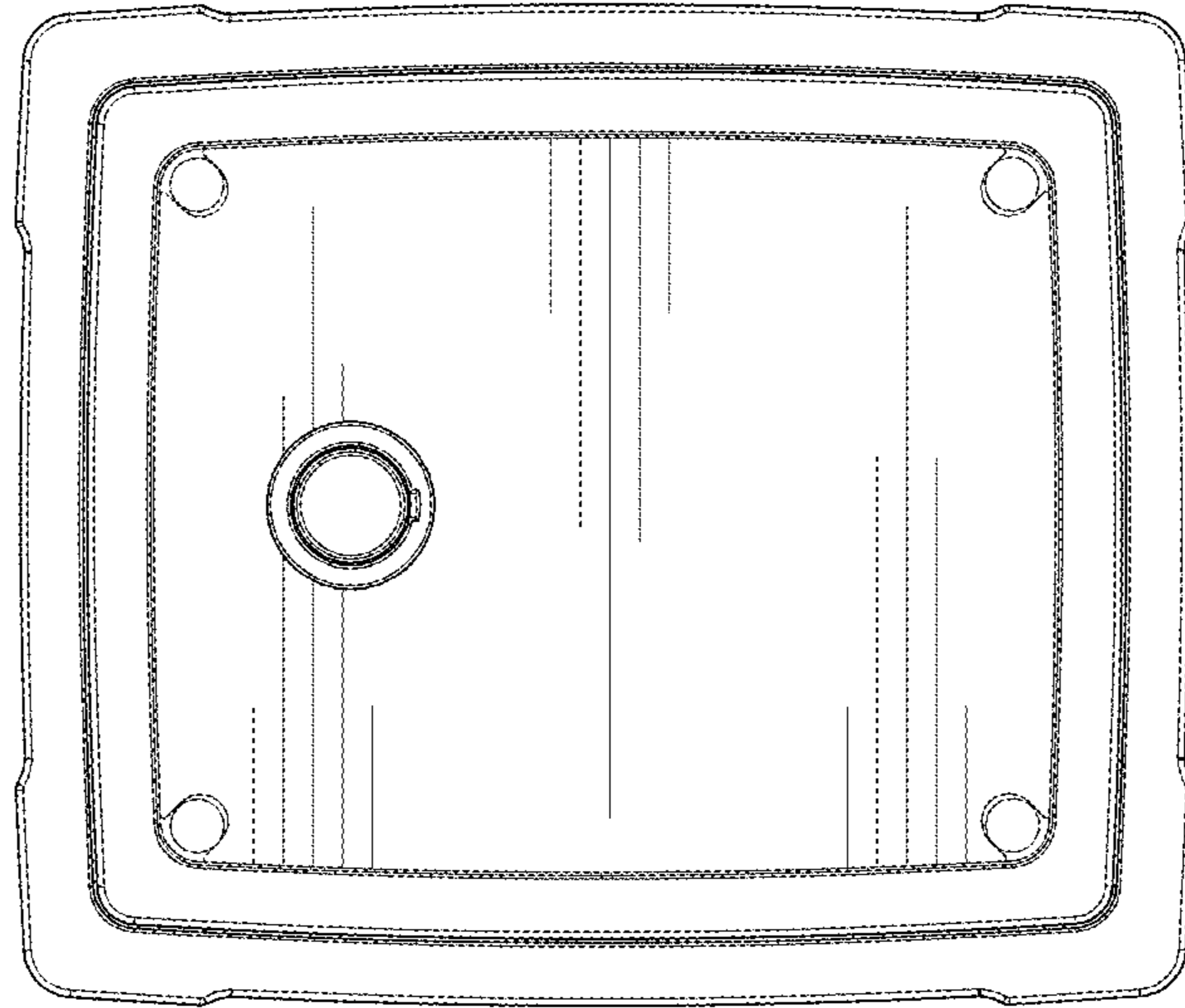


FIG. 2

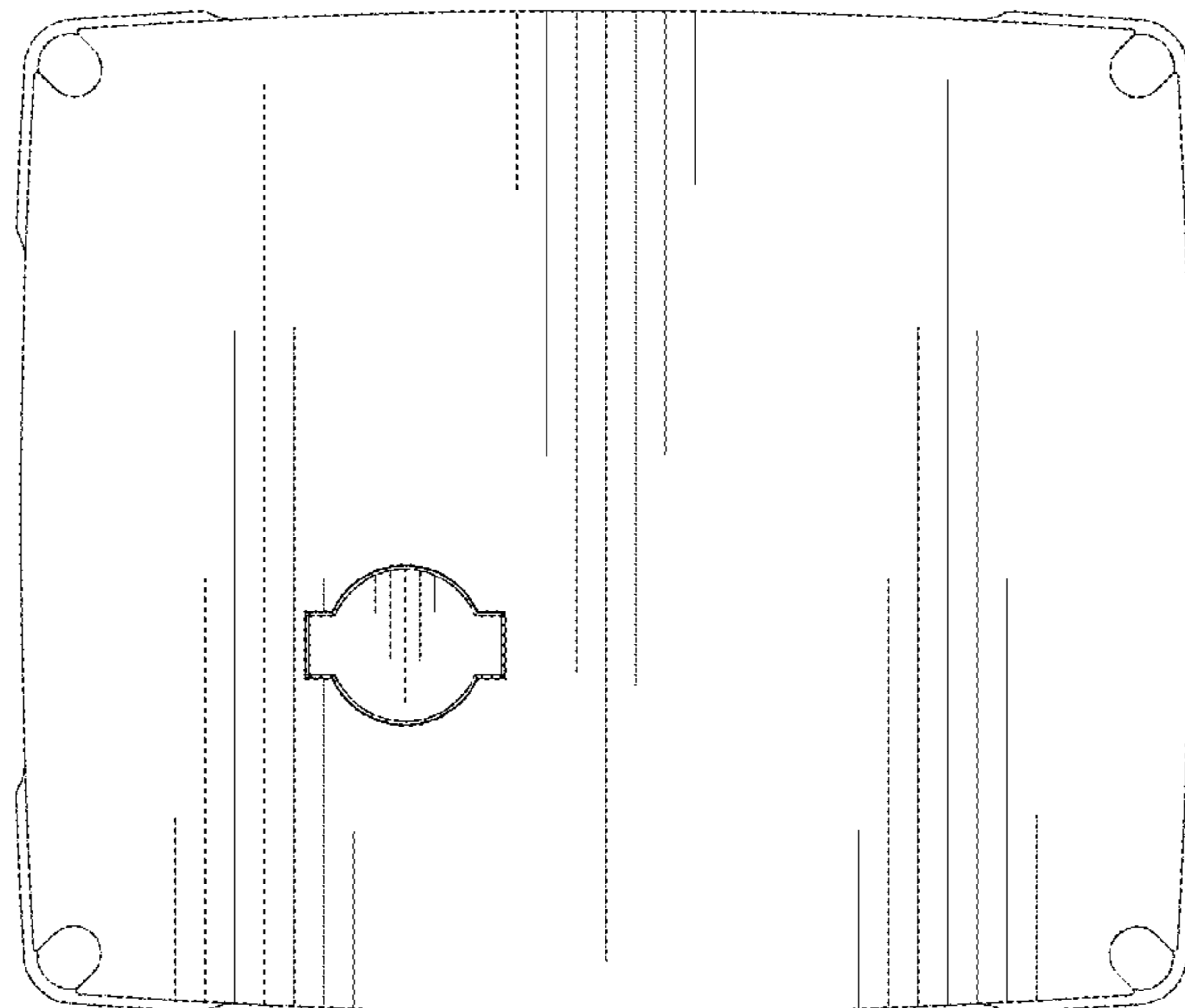


FIG. 3

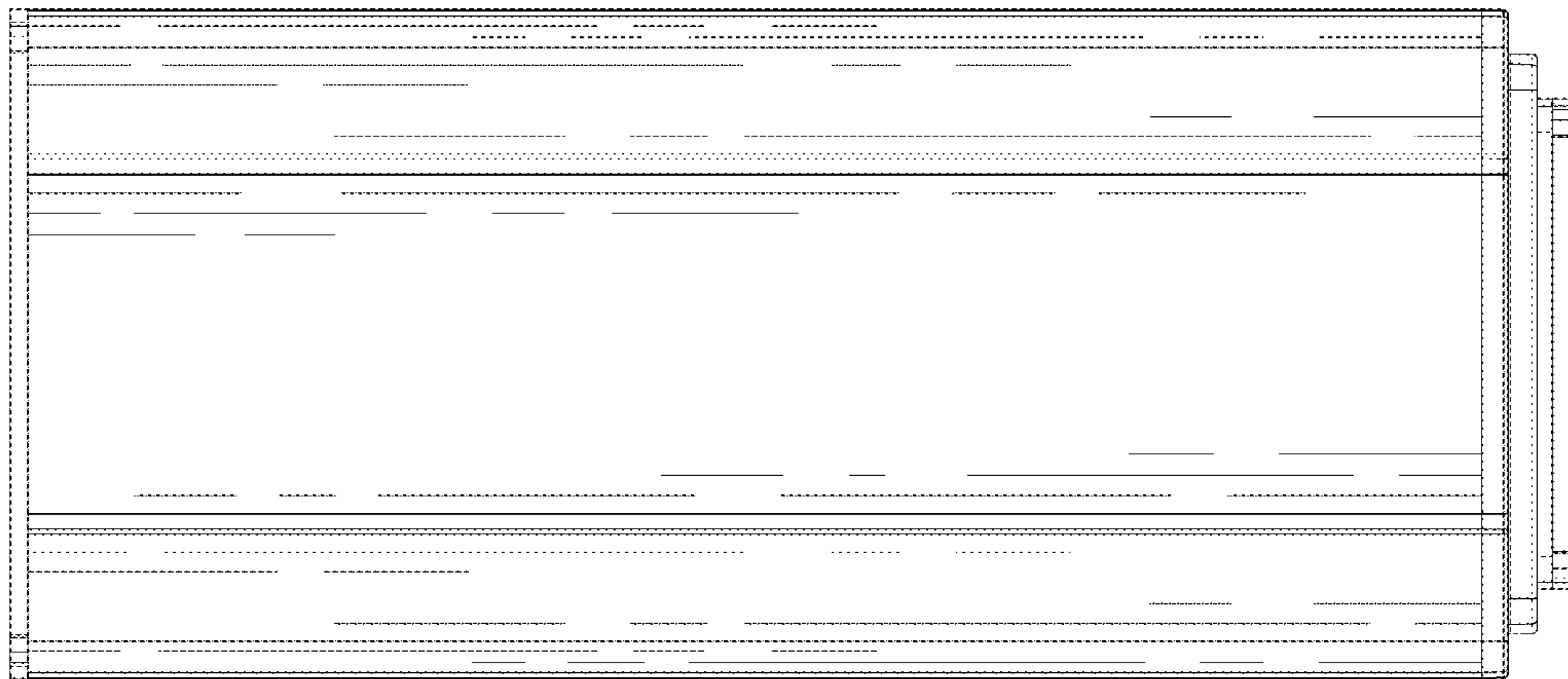


FIG. 4

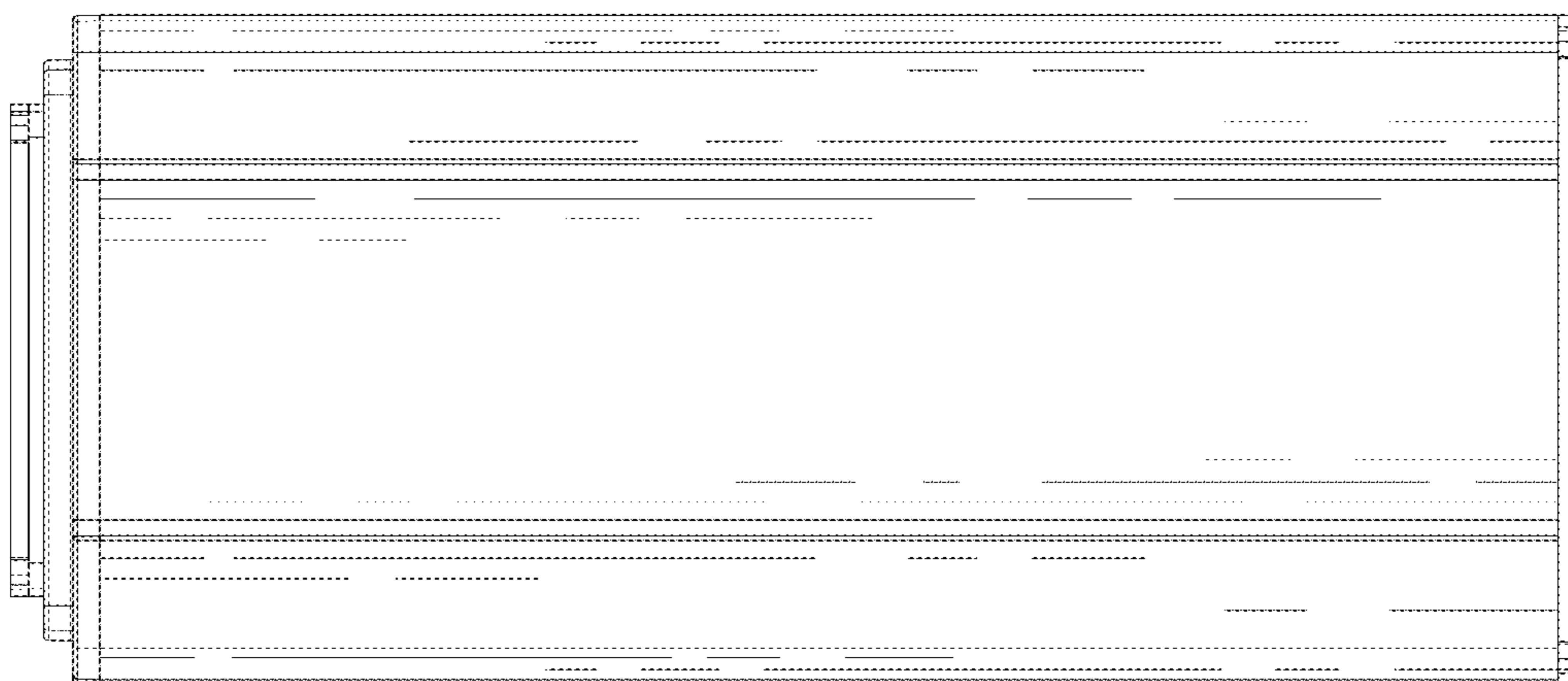


FIG. 5

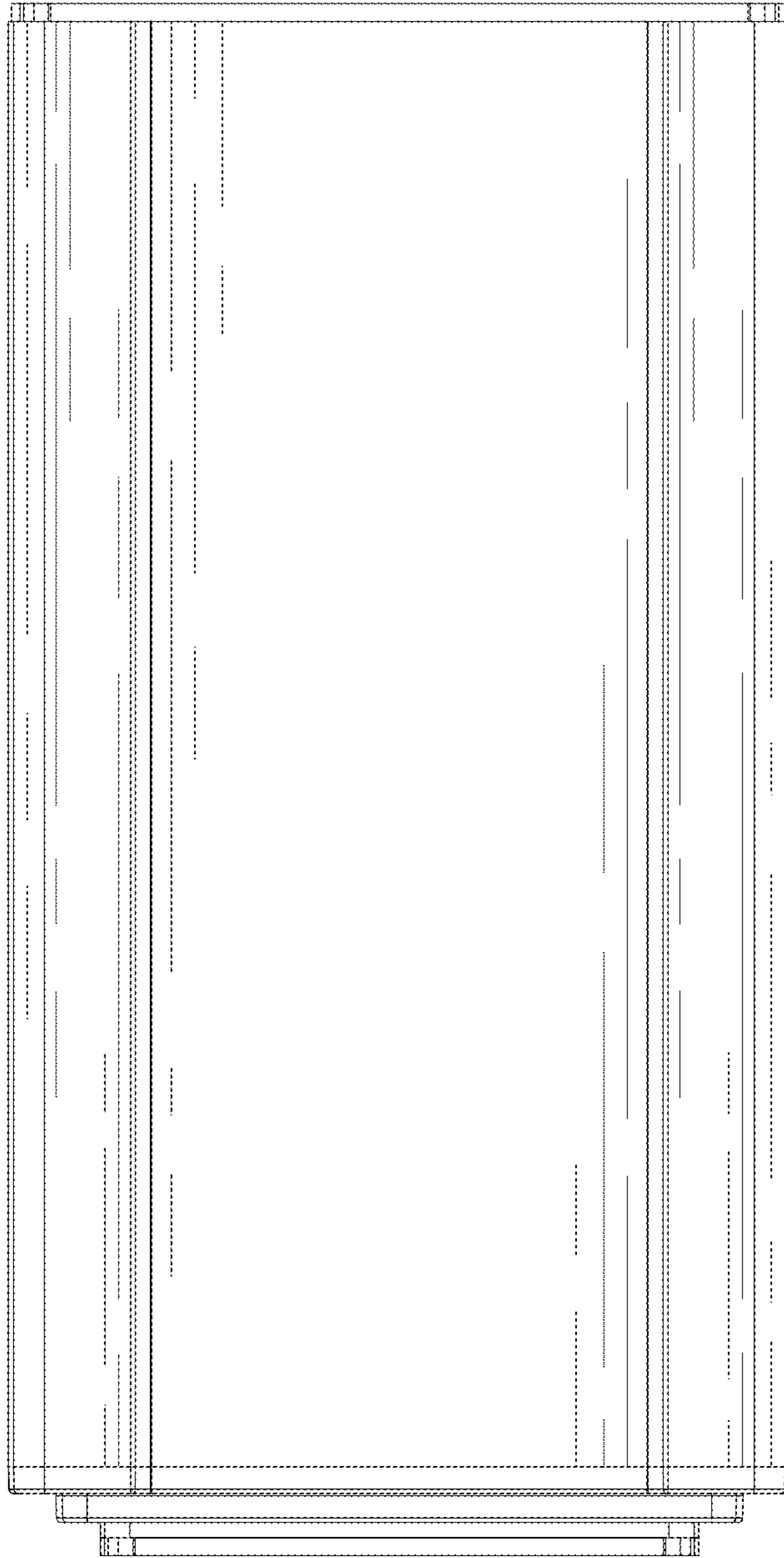


FIG.6

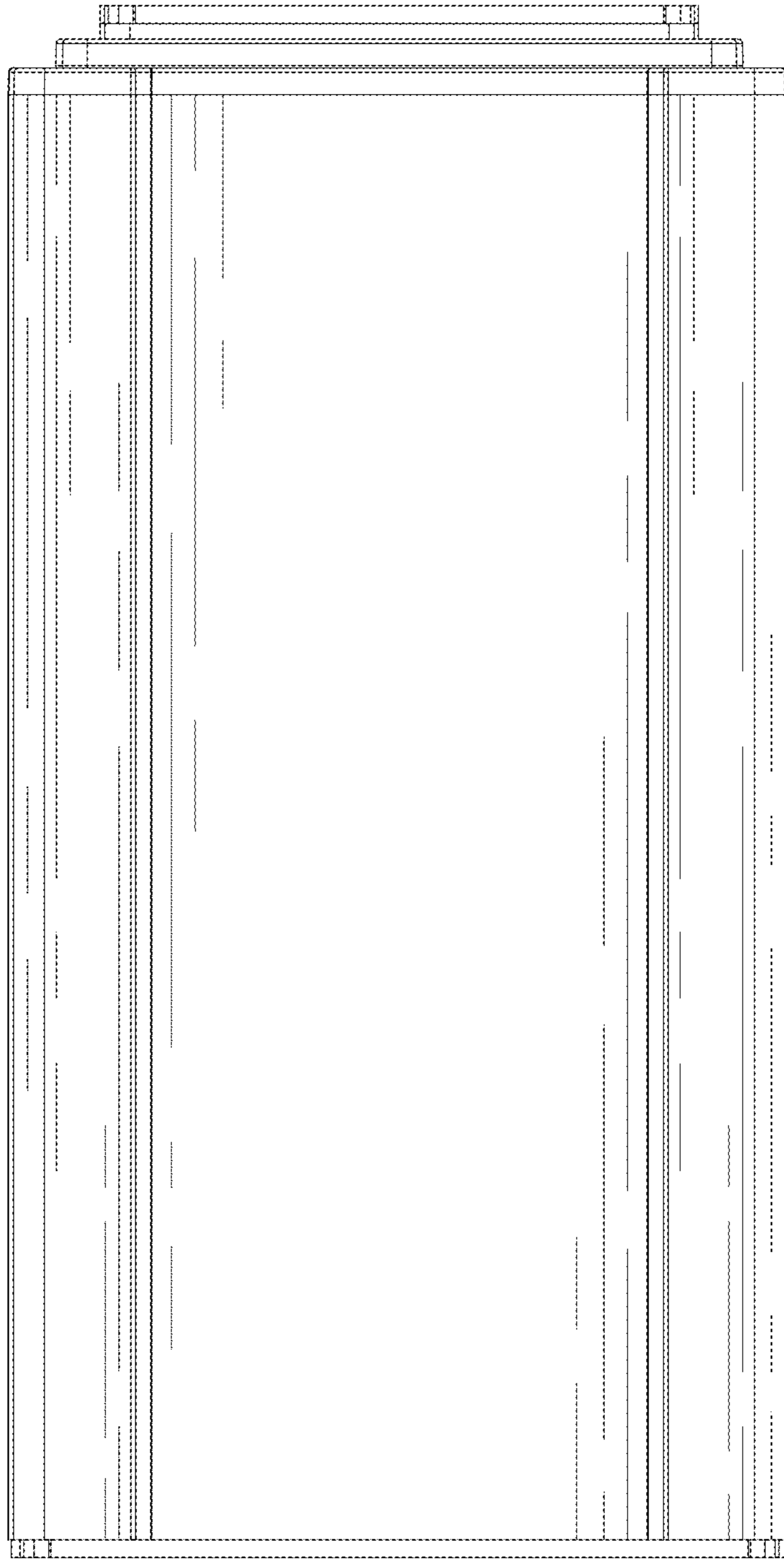


FIG.7

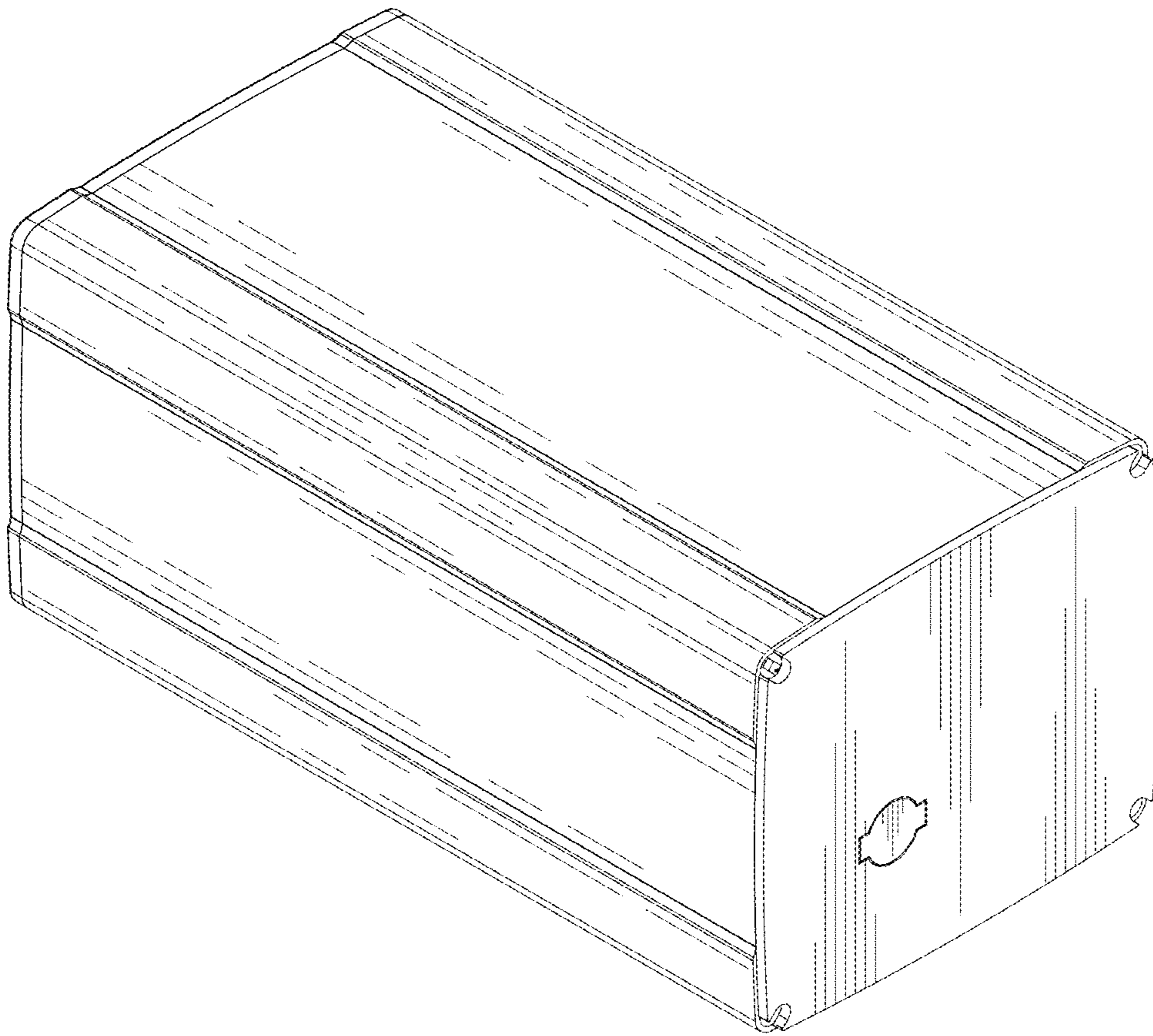


FIG.8

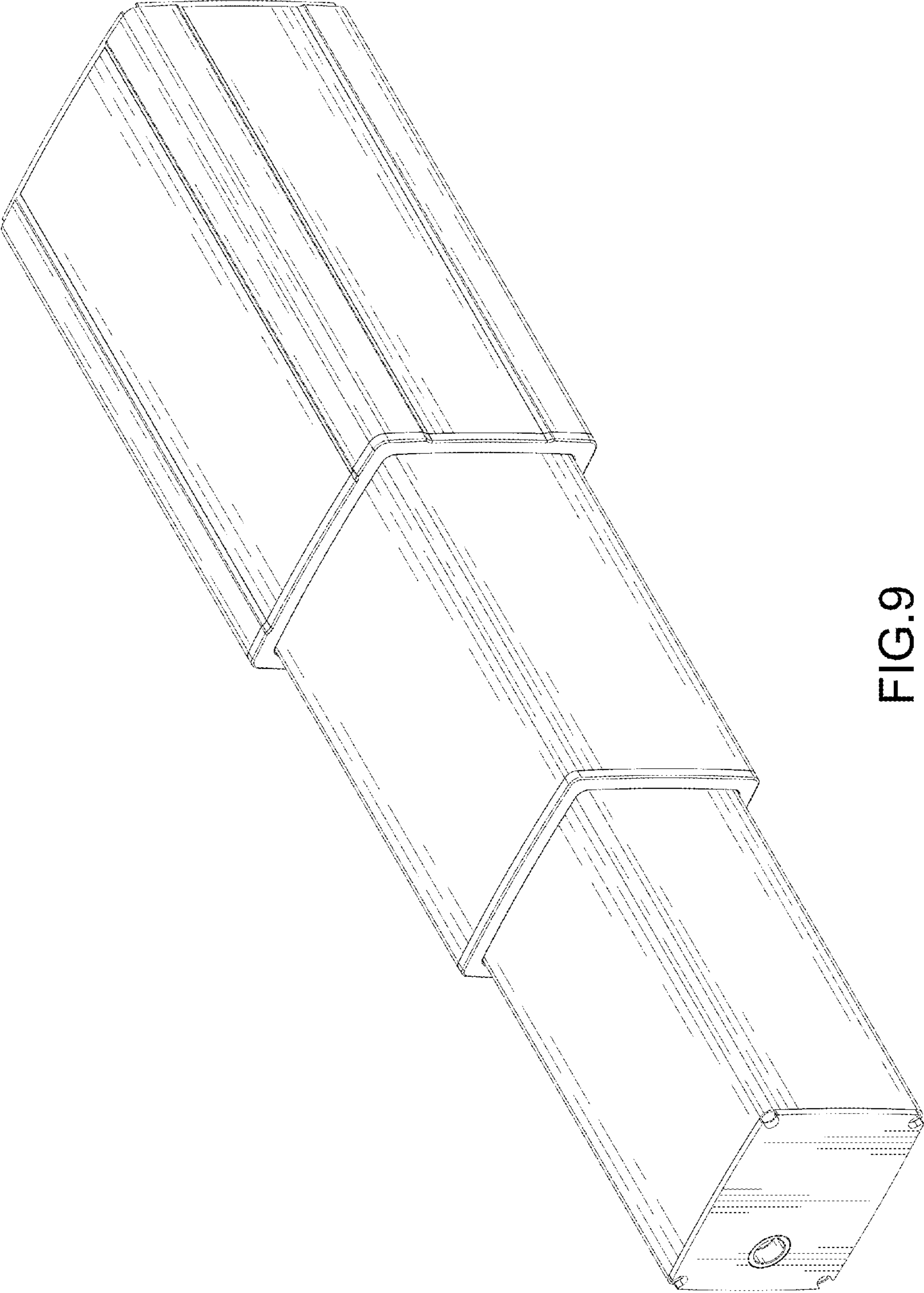


FIG.9