



US00D702269S

(12) **United States Design Patent**
Eisenblätter

(10) **Patent No.:** **US D702,269 S**

(45) **Date of Patent:** **** Apr. 8, 2014**

(54) **GRINDING DISC**

451/523, 533, 540, 541, 542, 544, 545, 547,
451/548-551

(71) Applicant: **Gerd Eisenblatter GmbH**, Geretsried
(DE)

See application file for complete search history.

(72) Inventor: **Gerd Eisenblätter**, Geretsried (DE)

(56) **References Cited**

(73) Assignee: **Gerd Eisenblätter GmbH**, Geretsried
(DE)

U.S. PATENT DOCUMENTS

(**) Term: **14 Years**

6,582,289	B1 *	6/2003	Eisenberg	451/548
D498,486	S *	11/2004	Eisenblaetter	D15/126
7,004,829	B2 *	2/2006	Keuler	451/466
D582,445	S *	12/2008	Yanase	D15/126
D657,404	S *	4/2012	Brandstetter	D15/126
8,430,725	B2 *	4/2013	Pajovic	451/508
2002/0037694	A1 *	3/2002	Katsuyama et al.	451/526

(21) Appl. No.: **29/439,641**

* cited by examiner

(22) Filed: **Dec. 13, 2012**

(30) **Foreign Application Priority Data**

Primary Examiner — Patricia Palasik

Jun. 13, 2012 (EP) 002057000-0001

(74) *Attorney, Agent, or Firm* — Wood, Herron & Evans, LLP

Jun. 13, 2012 (EP) 002057000-0002

(51) **LOC (10) Cl.** **15-09**

(57) **CLAIM**

(52) **U.S. Cl.**

The ornamental design for a grinding disc, as shown and described.

USPC **D15/126**

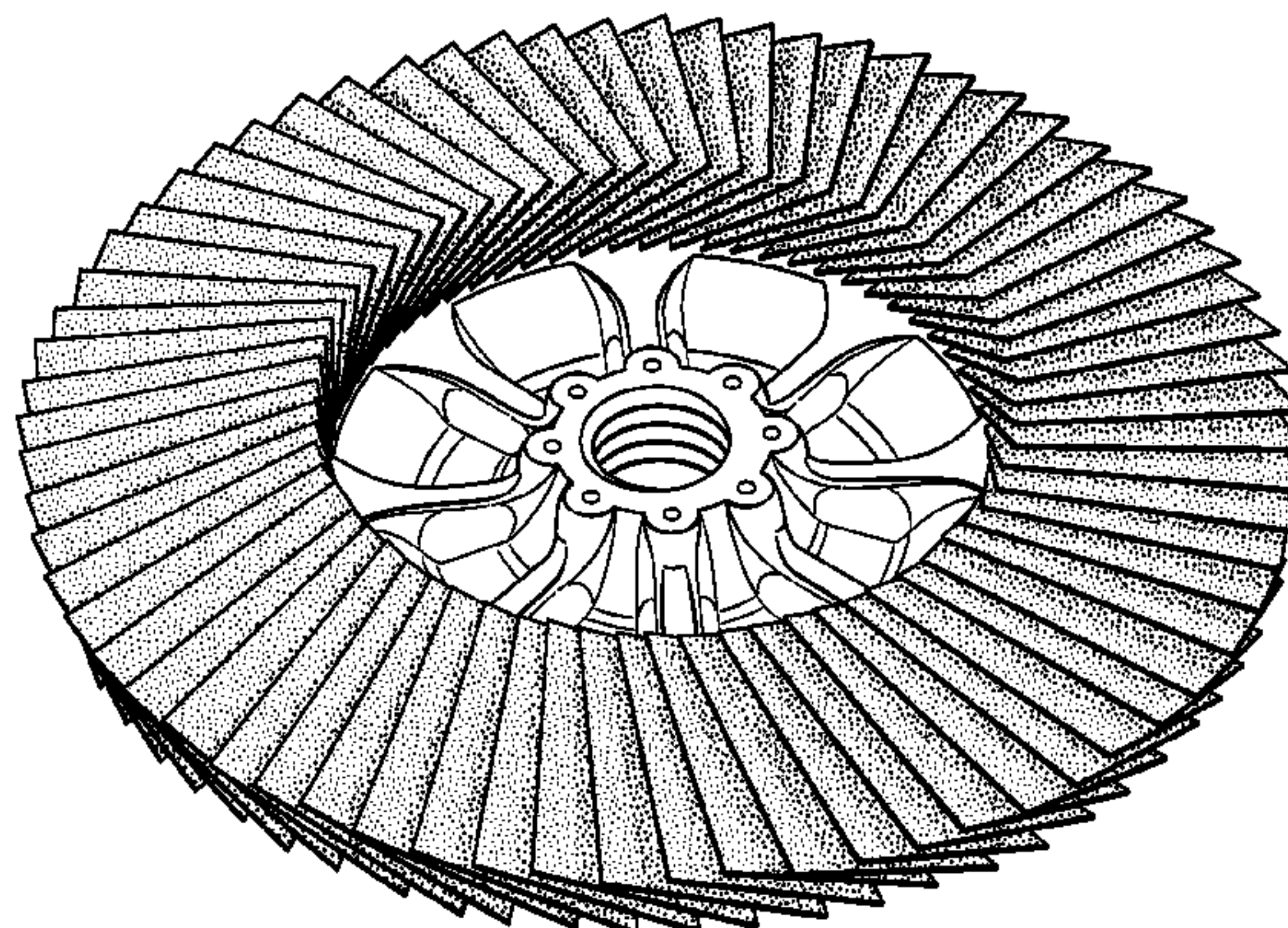
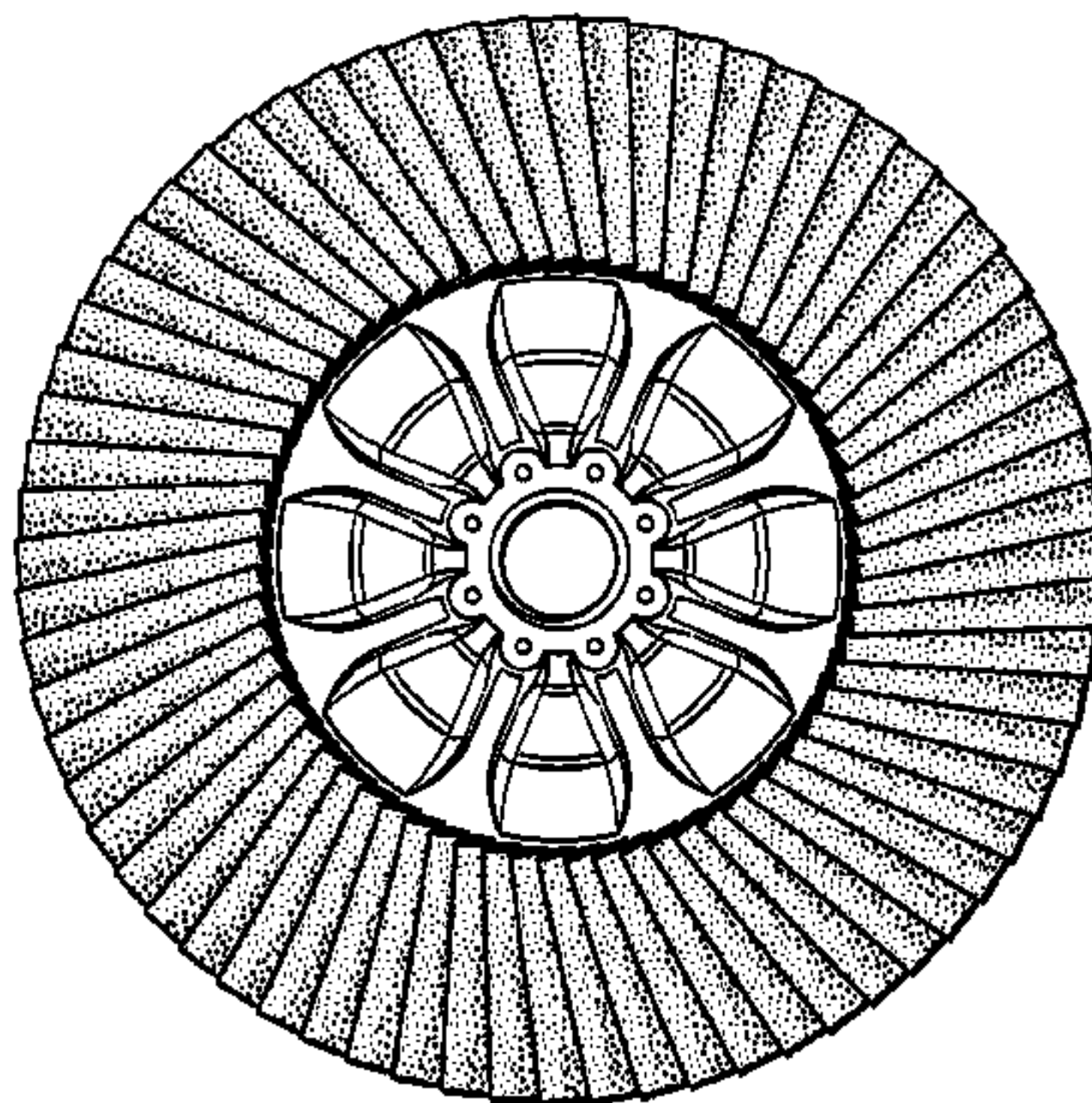
DESCRIPTION

(58) **Field of Classification Search**

USPC D8/70, 71, 90, 98; D15/124, 126, 138,
D15/139; 30/307, 346, 247, 355, 388, 389,
30/390; 51/296; 83/478, 589, 663, 665,
83/676, 821, 835, 839, 848, 852, 854,
83/855; 125/15, 18, 230, 231; 451/41, 47,
451/56, 259, 324, 359, 420, 443, 490, 510,

FIG. 1 is a front view of my new grinding disc design;
FIG. 2 is a front perspective view thereof;
FIG. 3 is a side view thereof; and,
FIG. 4 is a rear view thereof.

1 Claim, 2 Drawing Sheets



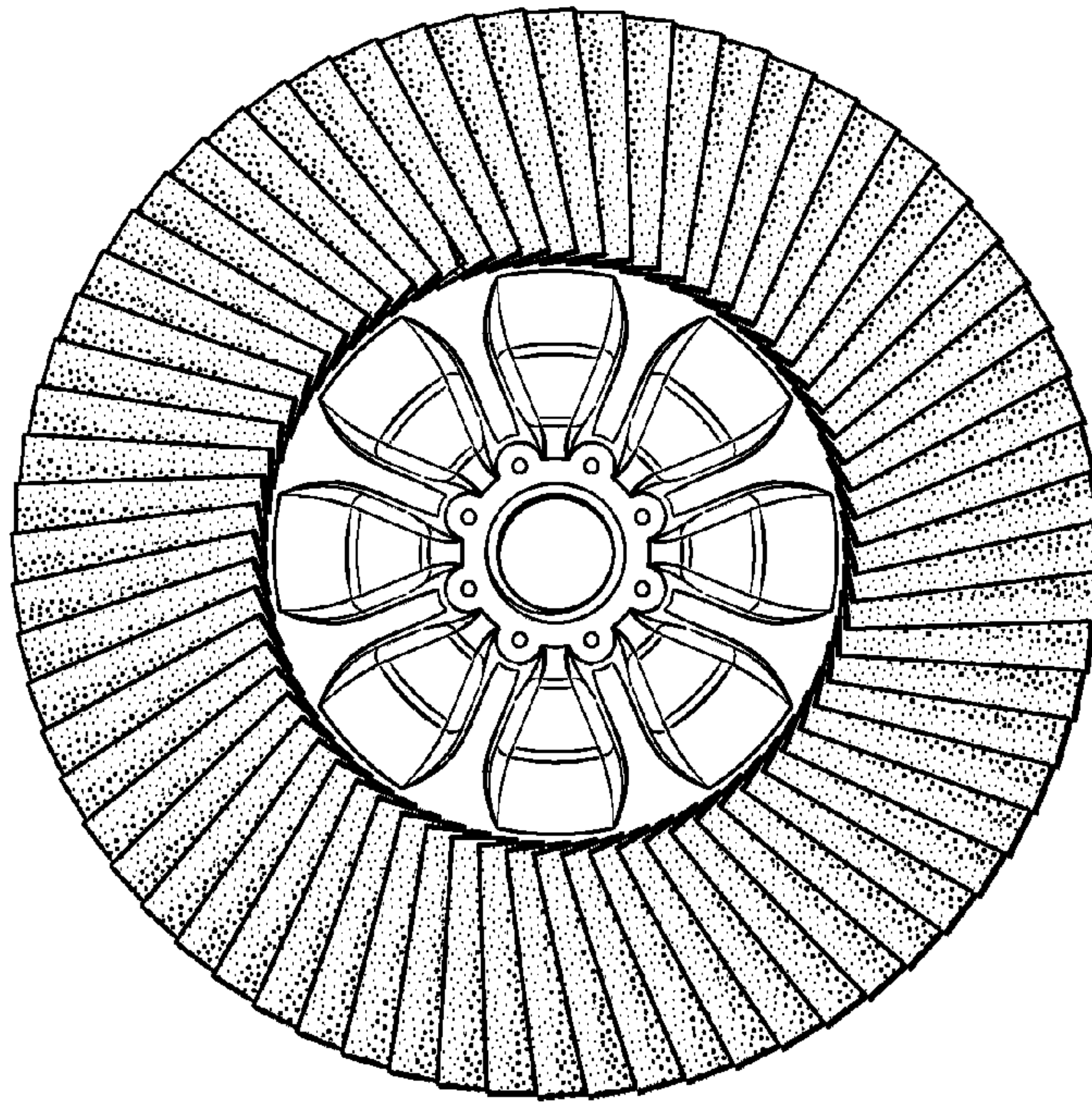


FIG. 1

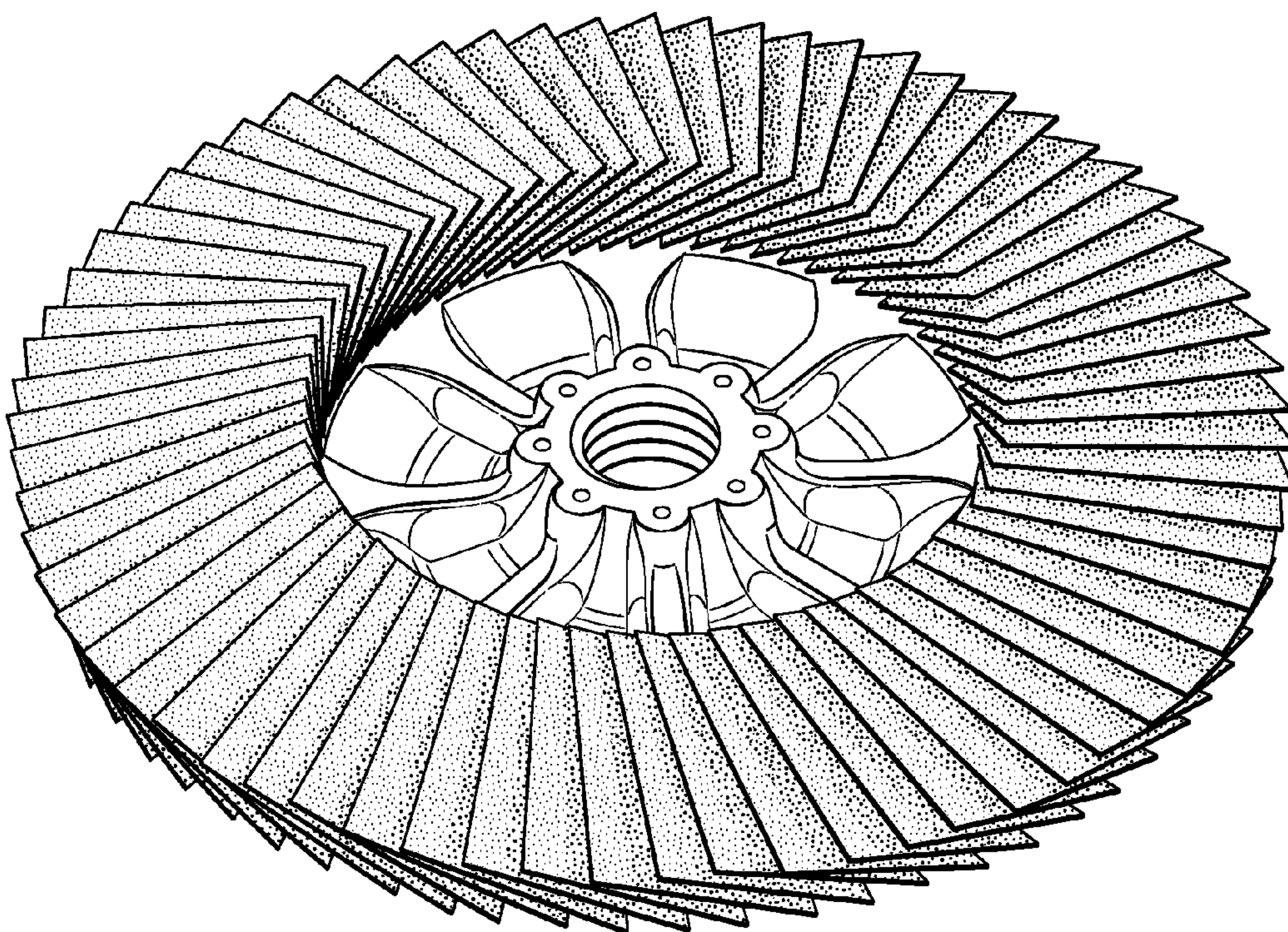


FIG. 2

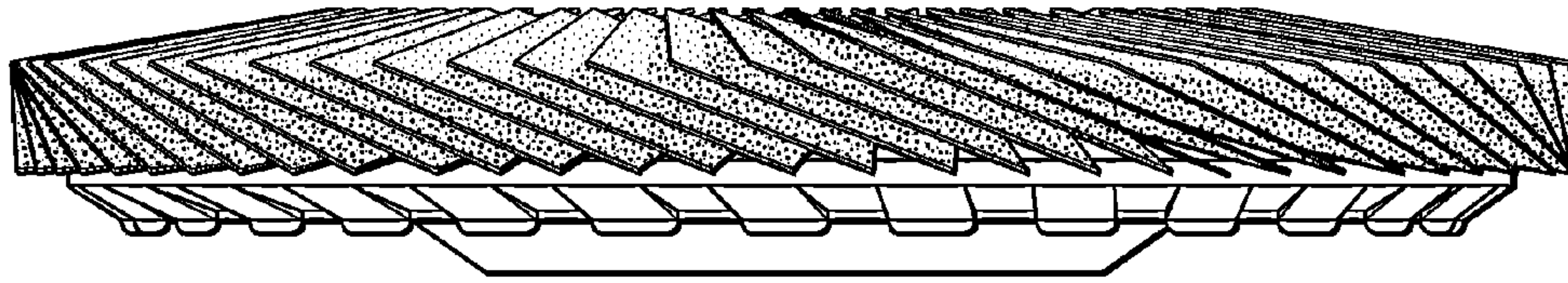


FIG. 3

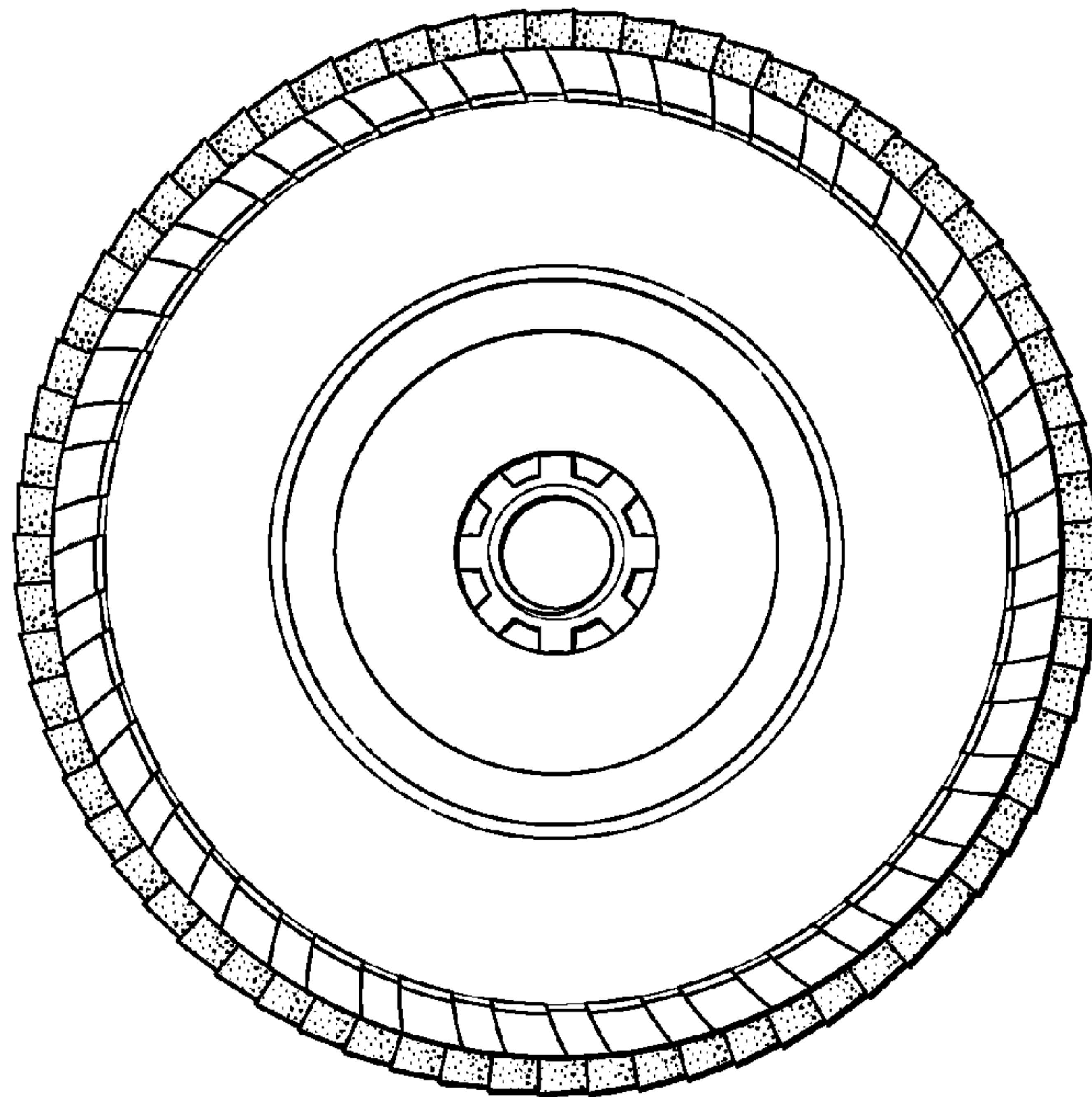


FIG. 4