



US00D702264S

(12) **United States Design Patent**
Huissoon et al.

(10) **Patent No.:** **US D702,264 S**

(45) **Date of Patent:** **** Apr. 8, 2014**

(54) **VEHICLE COCKPIT**

(71) Applicant: **Hudson Bay Holding B.V., 's-Heer Arendskerke (NL)**

(72) Inventors: **Leendert Wilhelmus Cornelis Huissoon, 's-Heer Arendskerke (NL); Poulus Jan Grinwis, 's-Heer Arendskerke (NL)**

(73) Assignee: **Hudson Bay Holding B.V., 's-Heer Arendskerke (NL)**

(**) Term: **14 Years**

(21) Appl. No.: **29/434,495**

(22) Filed: **Oct. 12, 2012**

(30) **Foreign Application Priority Data**

Apr. 13, 2012 (EM) 002025981-0003

(51) **LOC (10) Cl.** **15-03**

(52) **U.S. Cl.**
USPC **D15/30**

(58) **Field of Classification Search**
USPC D15/10, 22-26, 28, 30, 31; 180/89.11,
180/89.12, 89.13, 89.19, 900; 296/190.01,
296/190.08, 210, 190, 202
See application file for complete search history.

(56) **References Cited**

U.S. PATENT DOCUMENTS

D249,523 S * 9/1978 Segales D15/30
D273,494 S * 4/1984 Hurlburt et al. D15/30
D275,199 S * 8/1984 Schmidt et al. D15/30
D288,206 S * 2/1987 Moscovitch D15/30

D292,632 S * 11/1987 Lich D34/37
D323,659 S * 2/1992 Jacobsson D15/30
D348,270 S * 6/1994 Lehmann-Brendel et al. D15/30
D366,267 S * 1/1996 Lepoix D15/30
D463,462 S * 9/2002 Yanagida et al. D15/30
D479,536 S * 9/2003 Dahl et al. D15/30
D497,920 S * 11/2004 Antonetti D15/30
D523,029 S * 6/2006 Crawford et al. D15/30
D528,134 S * 9/2006 Vandendriessche et al. .. D15/30
D531,647 S * 11/2006 Stender et al. D15/30
D541,825 S * 5/2007 Pettersson D15/30
D541,826 S * 5/2007 Brush et al. D15/30
D561,205 S * 2/2008 Pettersson D15/30
D579,028 S * 10/2008 VanDeVeer et al. D15/30
D605,207 S * 12/2009 Menges et al. D15/30
D614,674 S * 4/2010 Hobenshield et al. D15/30
D635,156 S * 3/2011 Berning et al. D15/30
D636,795 S * 4/2011 Yamamoto et al. D15/30
D637,630 S * 5/2011 Yamamoto et al. D15/30
D642,205 S * 7/2011 Yamamoto et al. D15/30

* cited by examiner

Primary Examiner — Mark Goodwin

(74) *Attorney, Agent, or Firm* — Banner & Witcoff, Ltd.

(57) **CLAIM**

The ornamental design for a vehicle cockpit, as shown and described.

DESCRIPTION

FIG. 1 is a top, rear, right perspective view of a vehicle cockpit showing our new design;
FIG. 2 is a top, front, right view thereof;
FIG. 3 is a front view thereof;
FIG. 4 is a right side view thereof;
FIG. 5 is a rear view thereof;
FIG. 6 is a top view thereof; and,
FIG. 7 is a bottom view thereof.

1 Claim, 4 Drawing Sheets

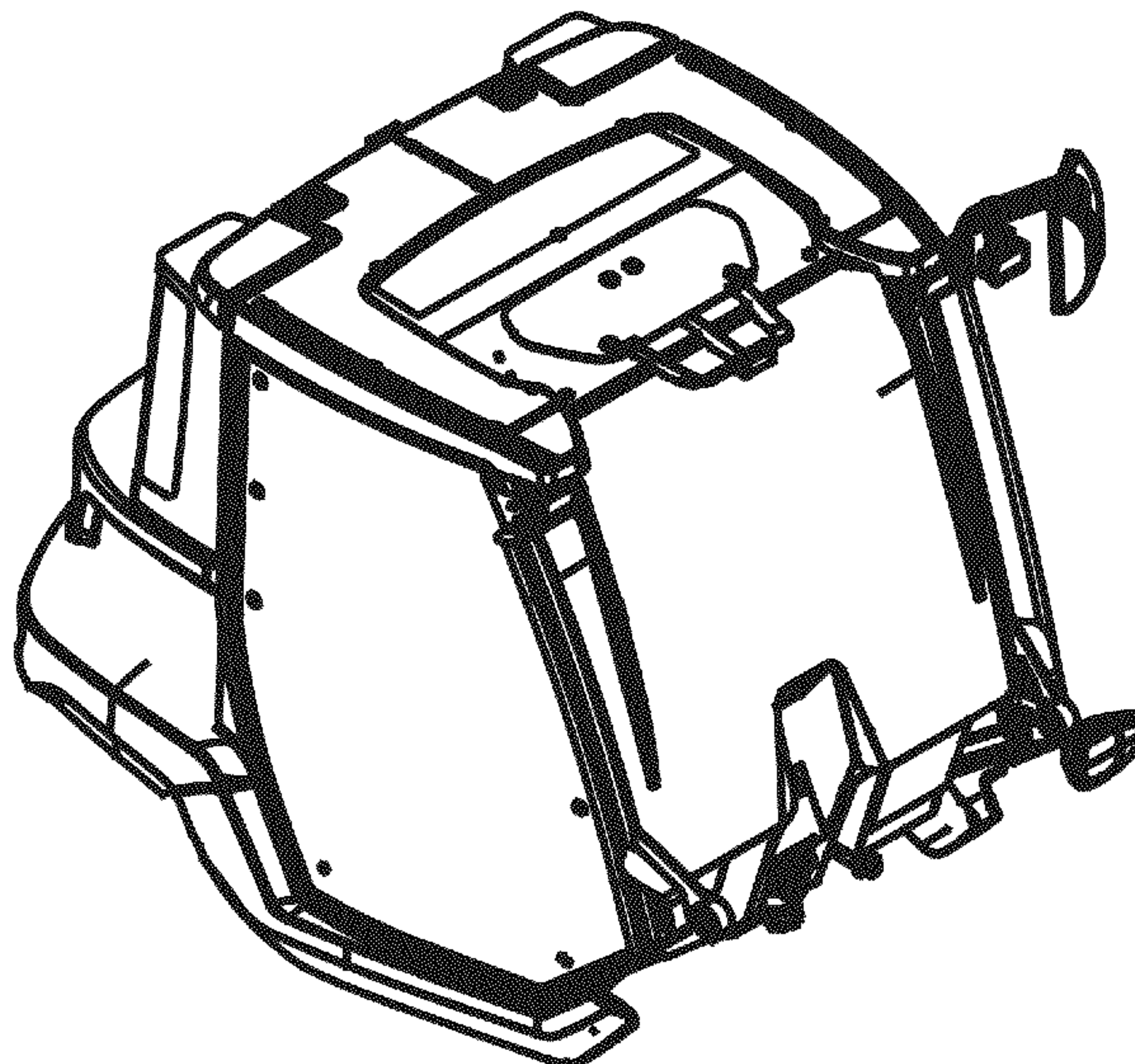


FIG. 1

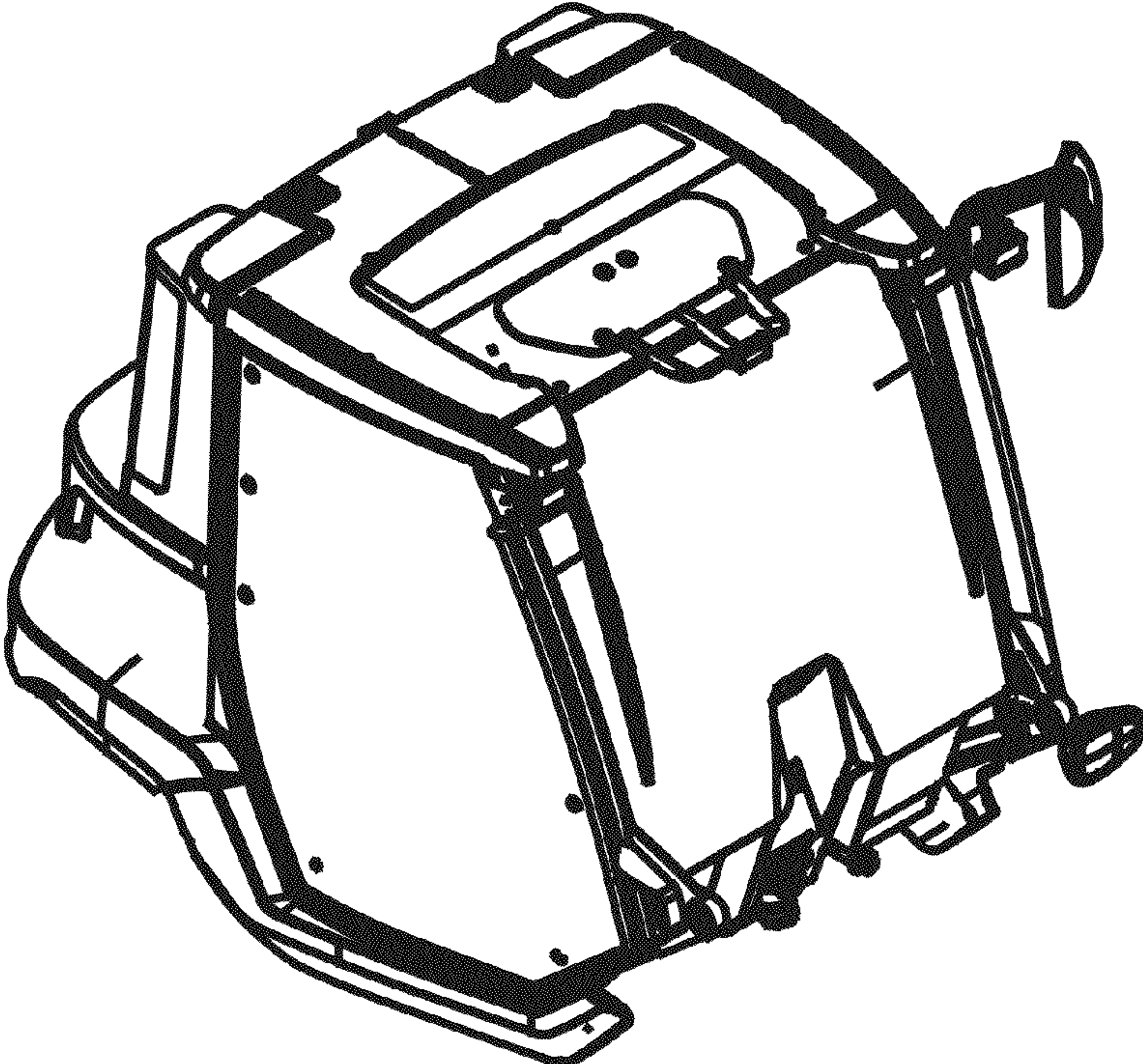


FIG. 2

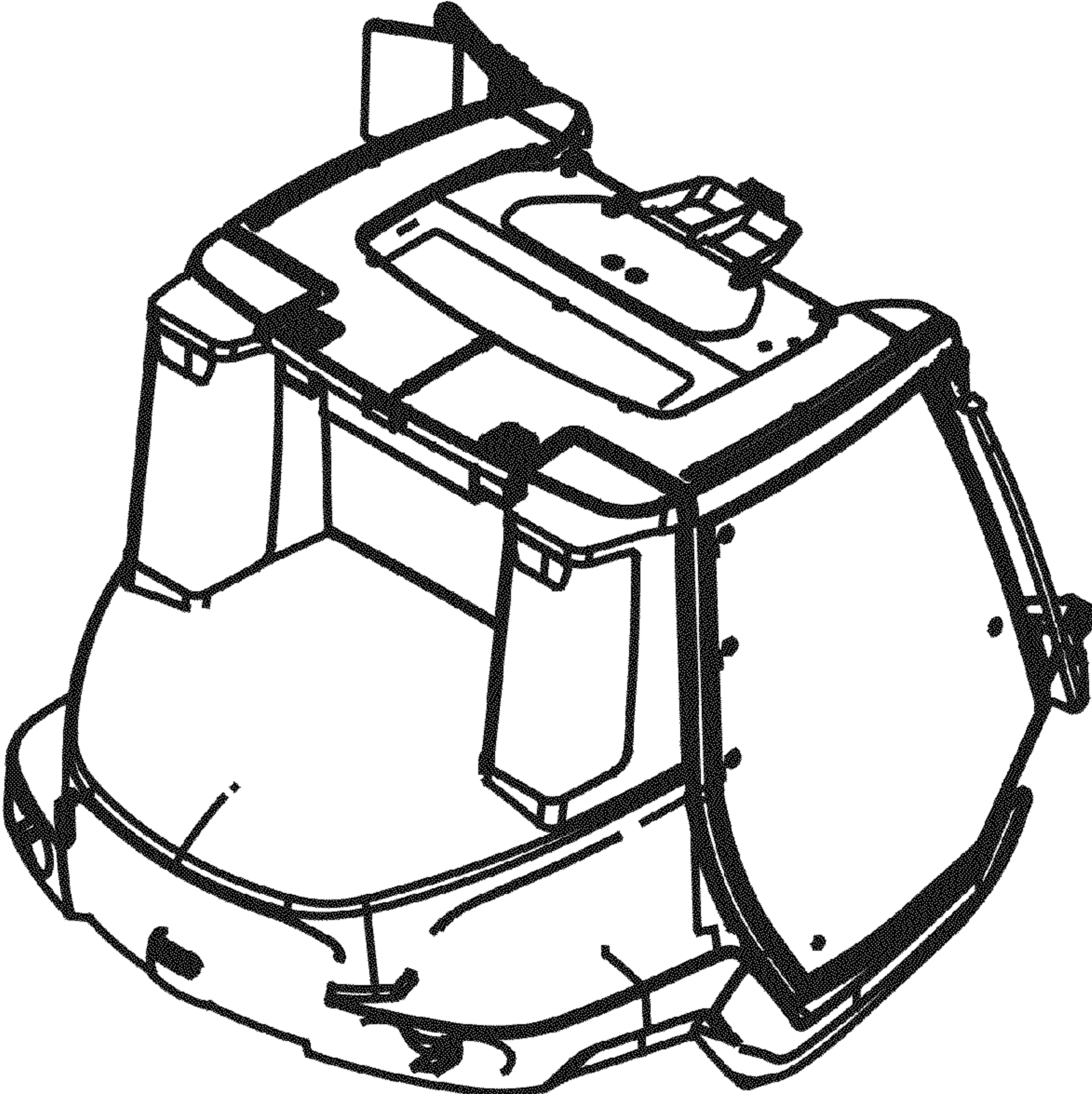


FIG. 3

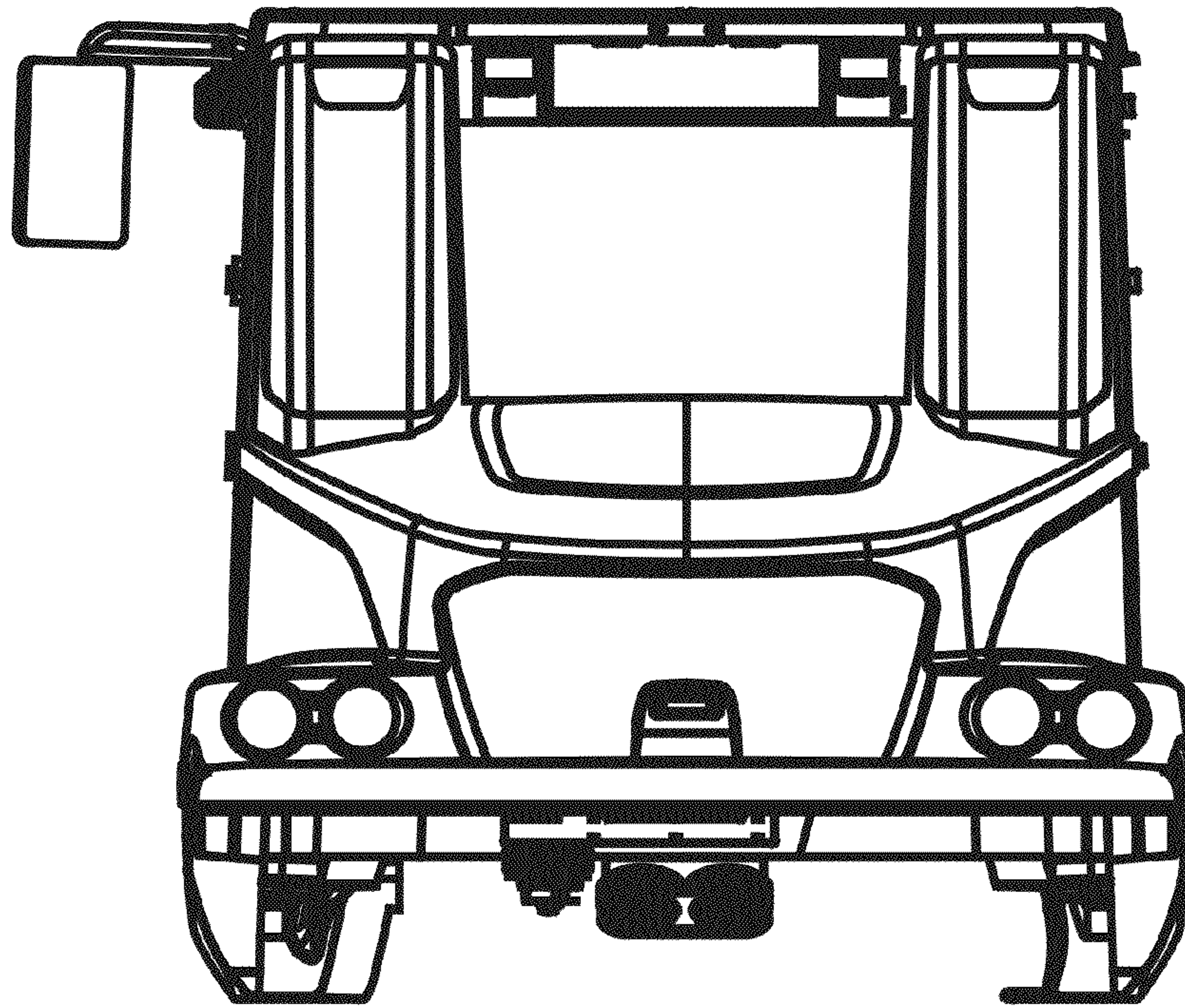


FIG. 4

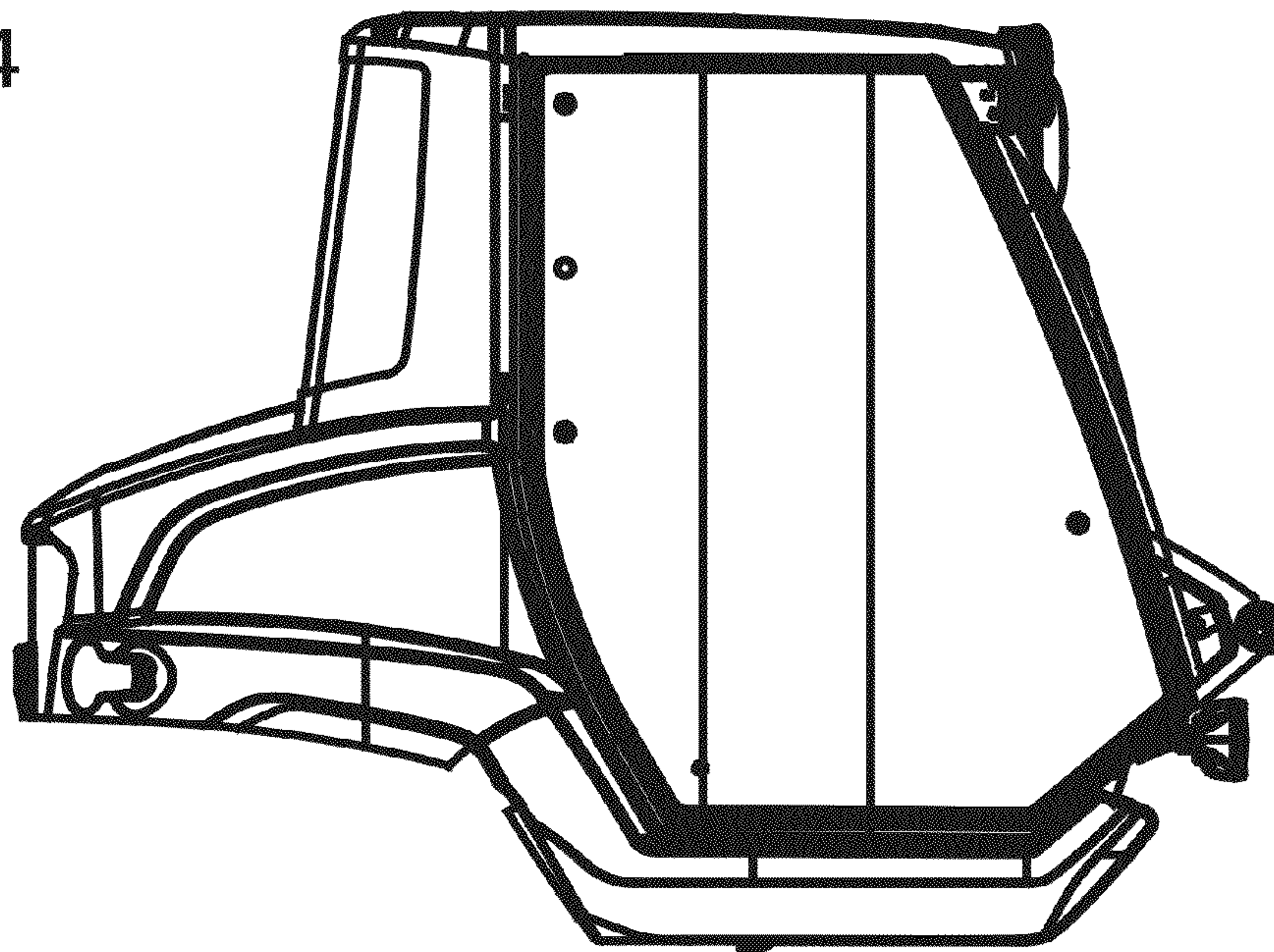


FIG. 5

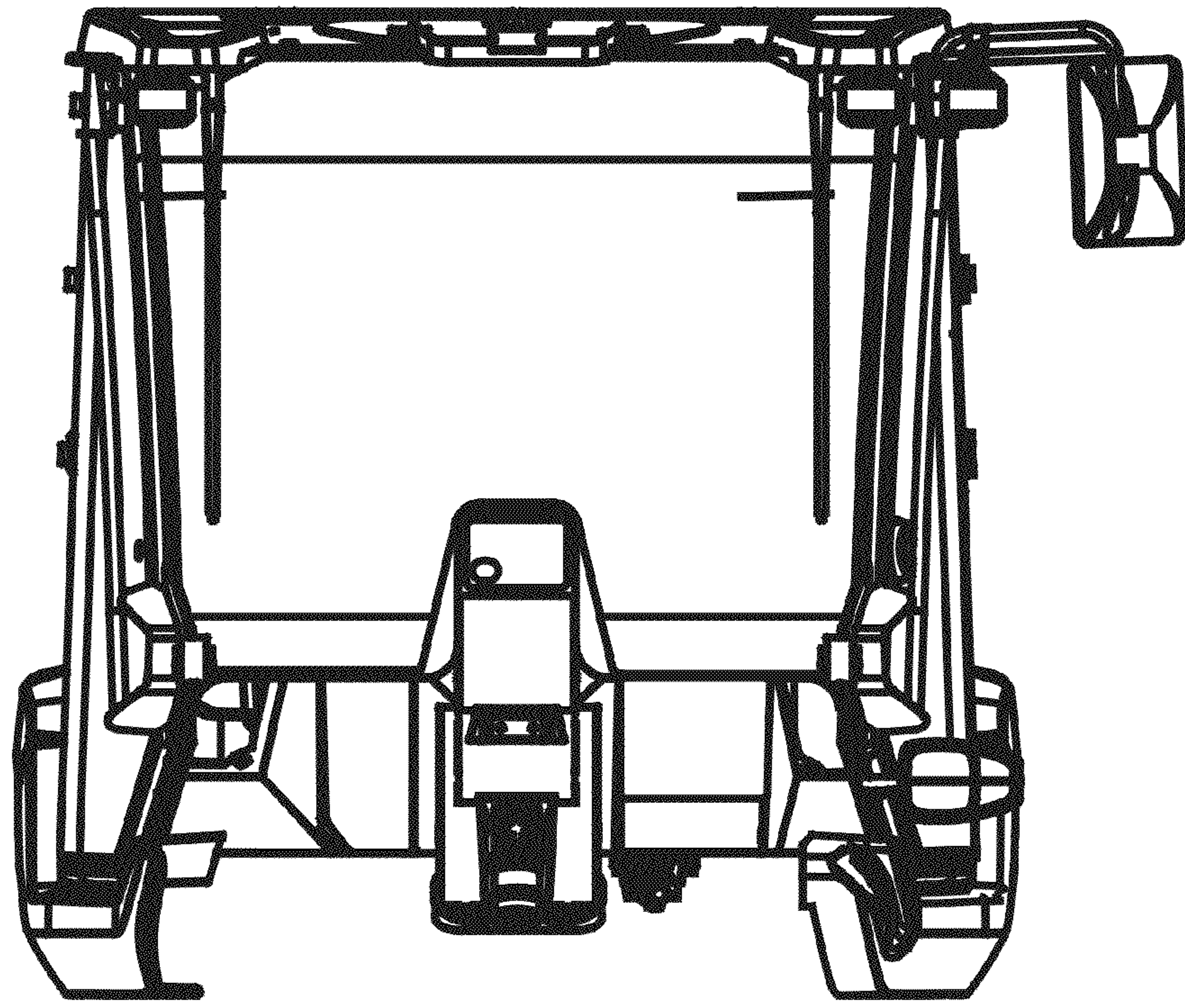


FIG. 6

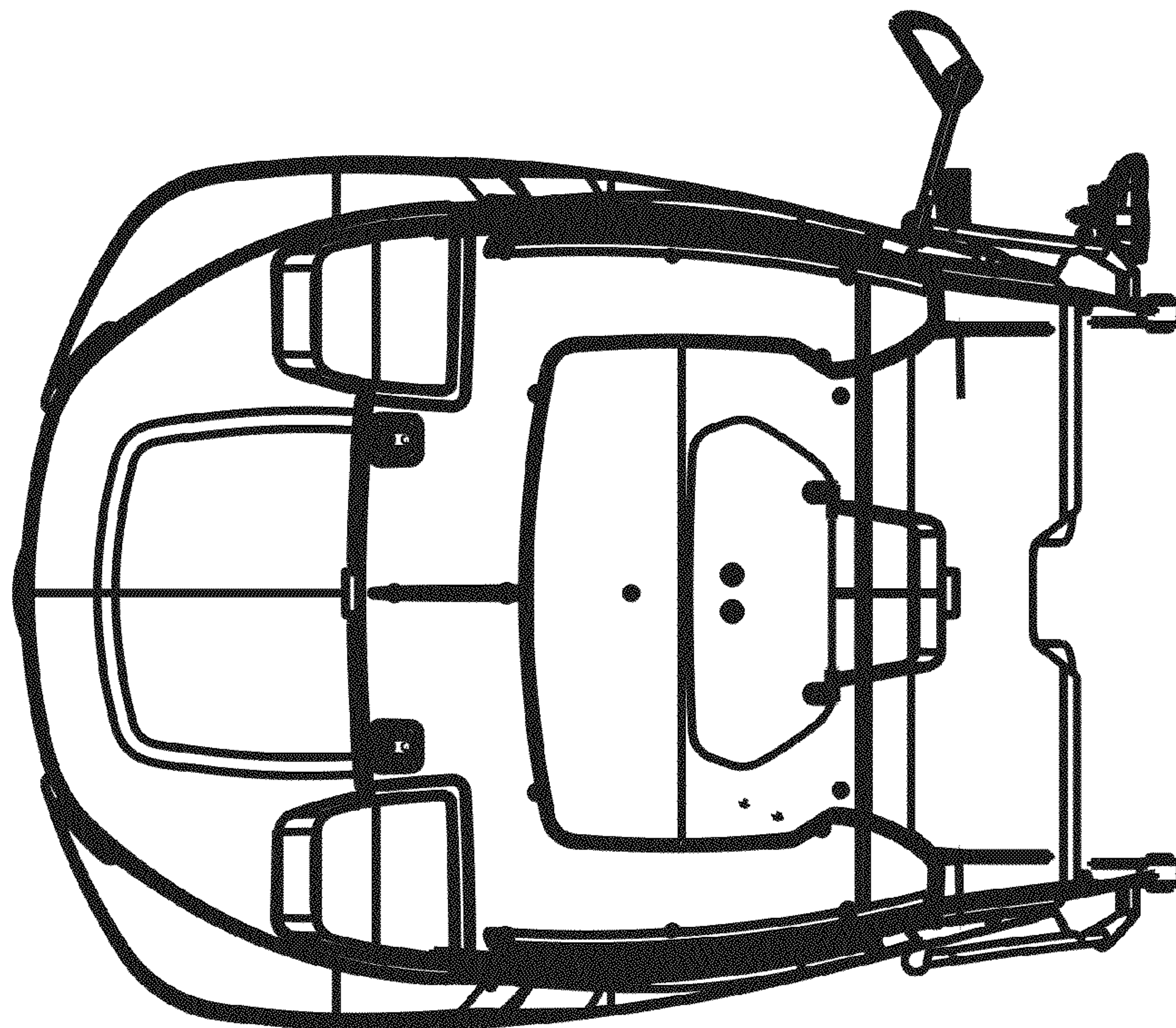


FIG. 7

