



US00D702263S

(12) **United States Design Patent**
Jacobsthal et al.

(10) **Patent No.:** **US D702,263 S**
(45) **Date of Patent:** **** Apr. 8, 2014**

(54) **AGRICULTURAL BALER**

(75) Inventors: **Eric Jacobsthal**, Elmhurst, IL (US);
James D. Walker, Lititz, PA (US); **Carl J. Hagele**, The Villages, FL (US);
Richard J. Hagele, legal representative,
The Villages, FL (US); **Rafal Domalewski**, Brugge (BE); **Bart De Craemer**, Sint-Andries (BE); **Ilse Claeys**, Nazareth (BE)

(73) Assignee: **CNH America LLC**, New Holland, PA (US)

(**) Term: **14 Years**

(21) Appl. No.: **29/424,957**

(22) Filed: **Jun. 18, 2012**

(51) **LOC (10) Cl.** **15-03**

(52) **U.S. Cl.**
USPC **D15/27; D15/33; D15/28**

(58) **Field of Classification Search**
USPC D15/10, 17, 27, 28, 33; 414/24.5;
100/4, 5, 8, 88, 100; 56/341-343, 432,
56/202
See application file for complete search history.

(56) **References Cited**

U.S. PATENT DOCUMENTS

D184,568 S *	3/1959	Kermes	D15/27
D188,800 S *	9/1960	Kermes et al.	D15/27
D207,855 S *	6/1967	Kermes	D15/27
3,913,473 A *	10/1975	Meiers	100/5
D238,501 S *	1/1976	Gaeddert et al.	D15/27
D242,572 S *	11/1976	Grist et al.	D15/27
D268,678 S *	4/1983	Swenson et al.	D15/27
4,759,279 A	7/1988	Frerich		

5,138,942 A *	8/1992	Henderson et al.	100/88
5,193,450 A	3/1993	Anderson		
5,231,828 A	8/1993	Swearingen		
D388,440 S *	12/1997	Bentley	D15/13
D412,507 S	8/1999	Underhill		
6,857,251 B2	2/2005	McClure		
D600,253 S *	9/2009	Jacobs	D15/10
D626,972 S	11/2010	Hoover		

* cited by examiner

Primary Examiner — Mark Goodwin

(74) *Attorney, Agent, or Firm* — Patrick M. Sheldrake

(57) **CLAIM**

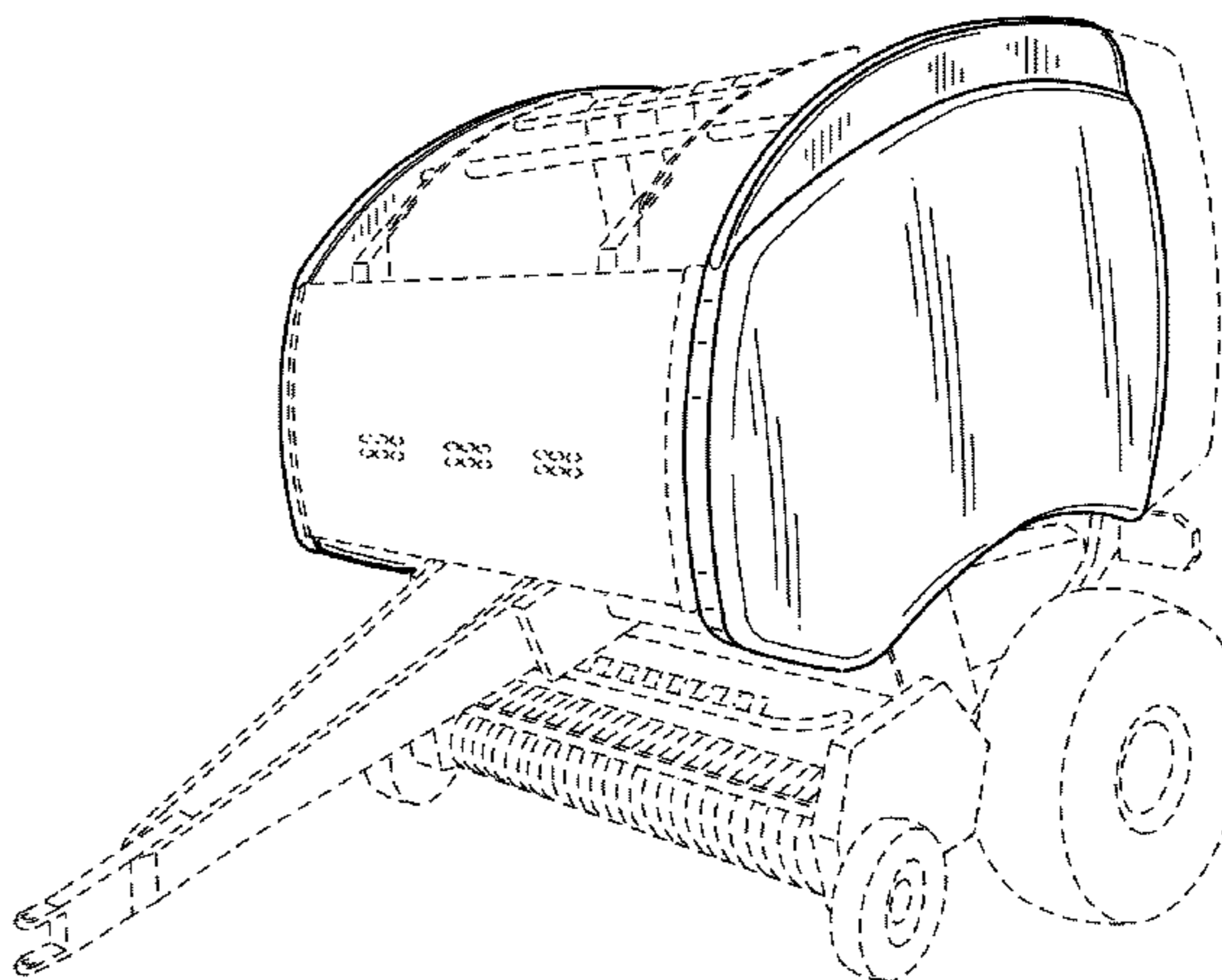
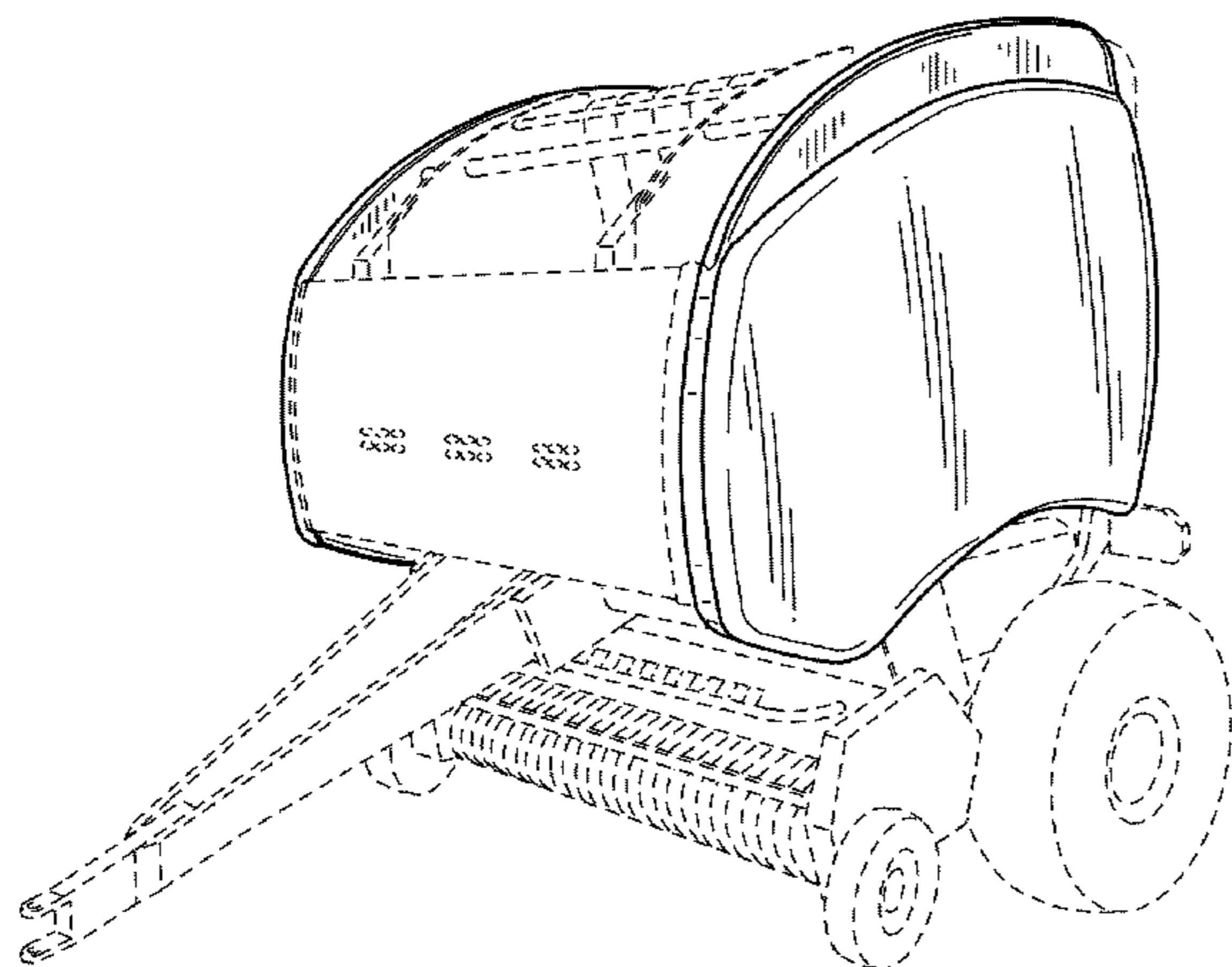
We claim the ornamental design for an agricultural baler, as shown and described.

DESCRIPTION

FIG. 1 is a front perspective view of an agricultural baler showing our new design;
FIG. 2 is a side view thereof;
FIG. 3 is a top view thereof;
FIG. 4 is a bottom view thereof;
FIG. 5 is a front view thereof;
FIG. 6 is a rear view thereof;
FIG. 7 front perspective view of an agricultural baler showing our new design as used on a baler having a rear shield;
FIG. 8 is a side view thereof;
FIG. 9 is a top view thereof;
FIG. 10 is a bottom view thereof;
FIG. 11 is a front view thereof; and,
FIG. 12 is a rear view thereof.

Only one side view is provided as the left side view is a mirror image of the right side view. Only the shapes and portions bounded by solid lines form the claimed design. The elements depicted in dashed lines are shown for illustrative purpose of environment and form no part of the ornamental design.

1 Claim, 8 Drawing Sheets



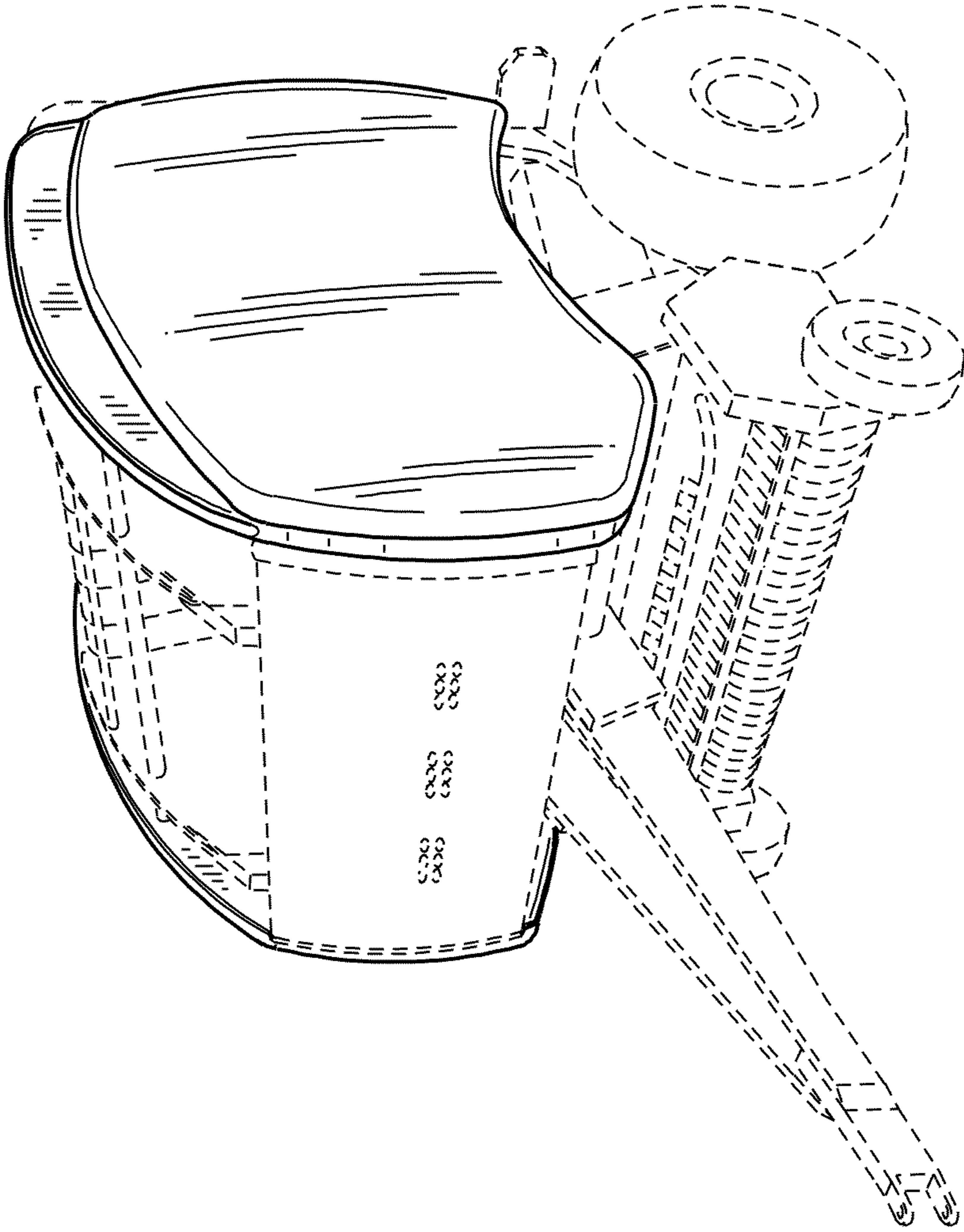


FIG. 1

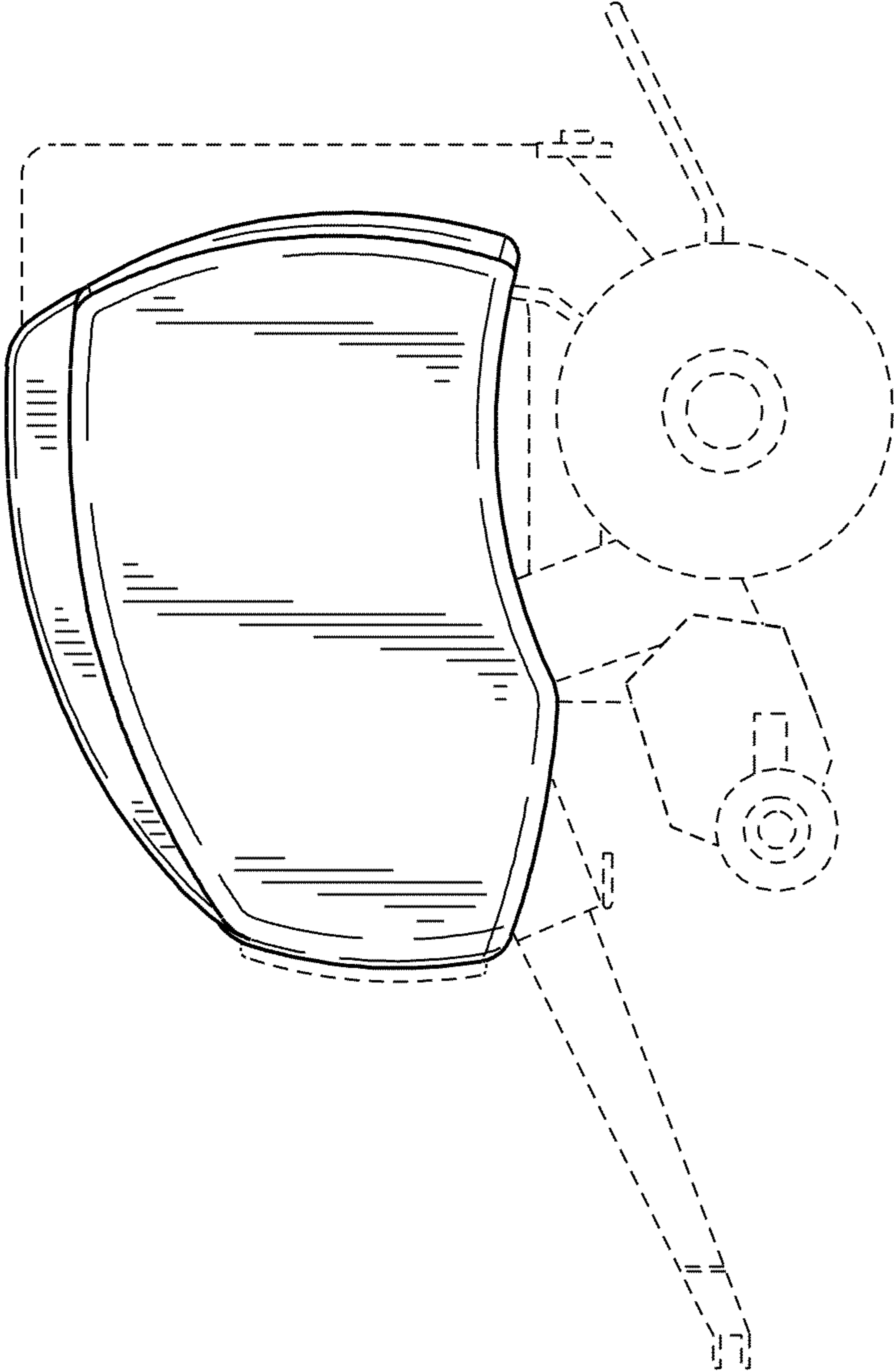


FIG. 2

FIG. 3

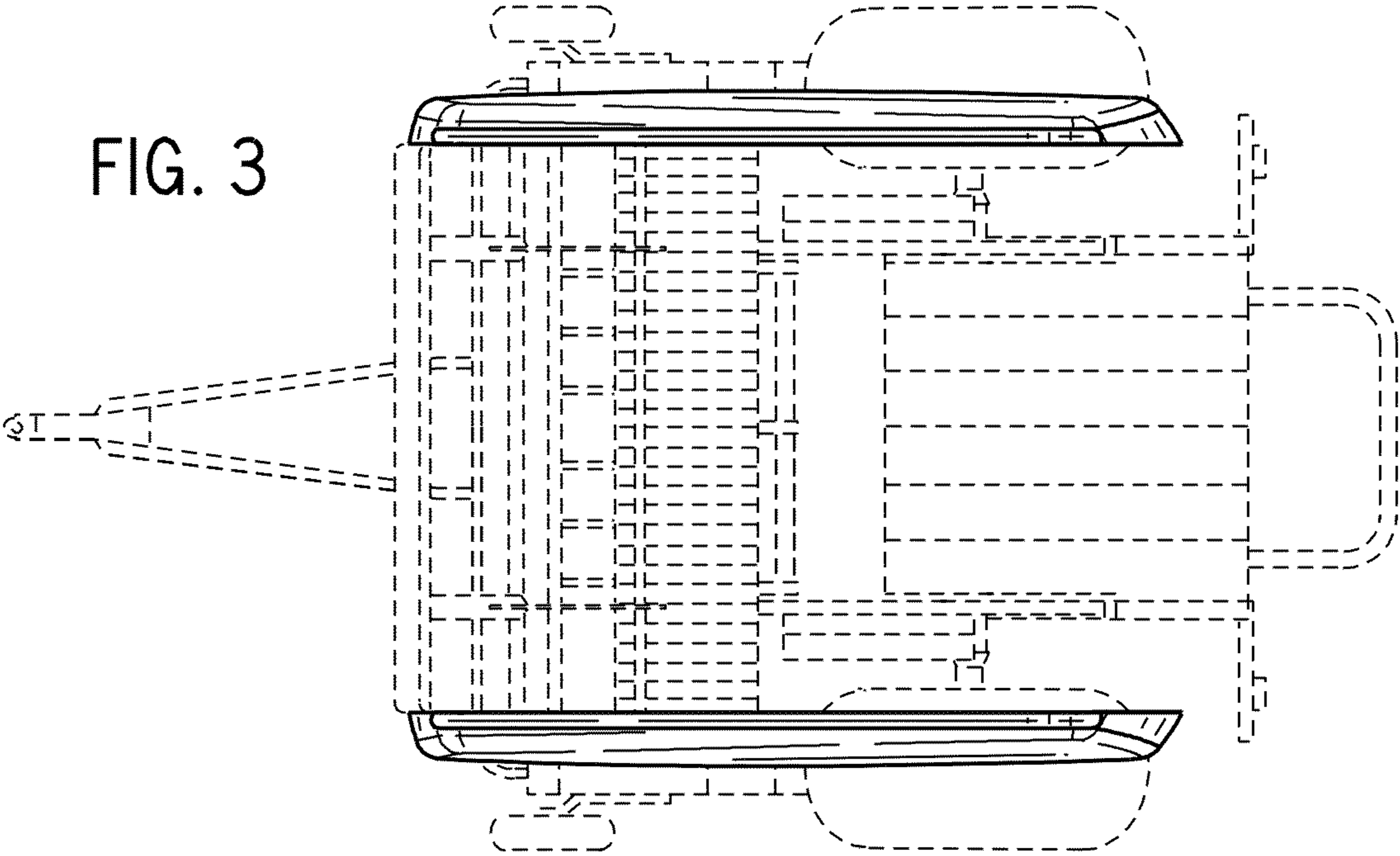


FIG. 4

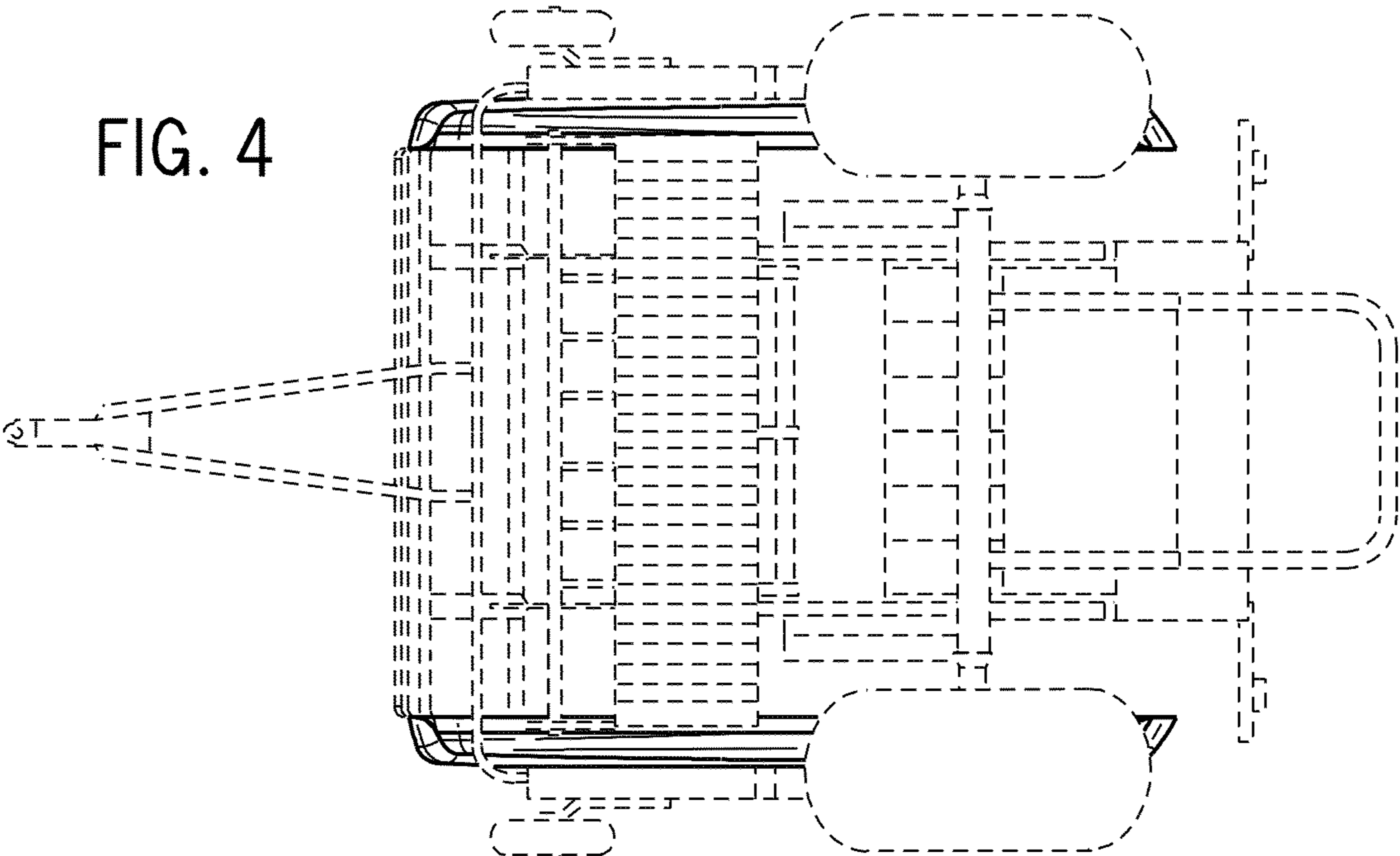


FIG. 5

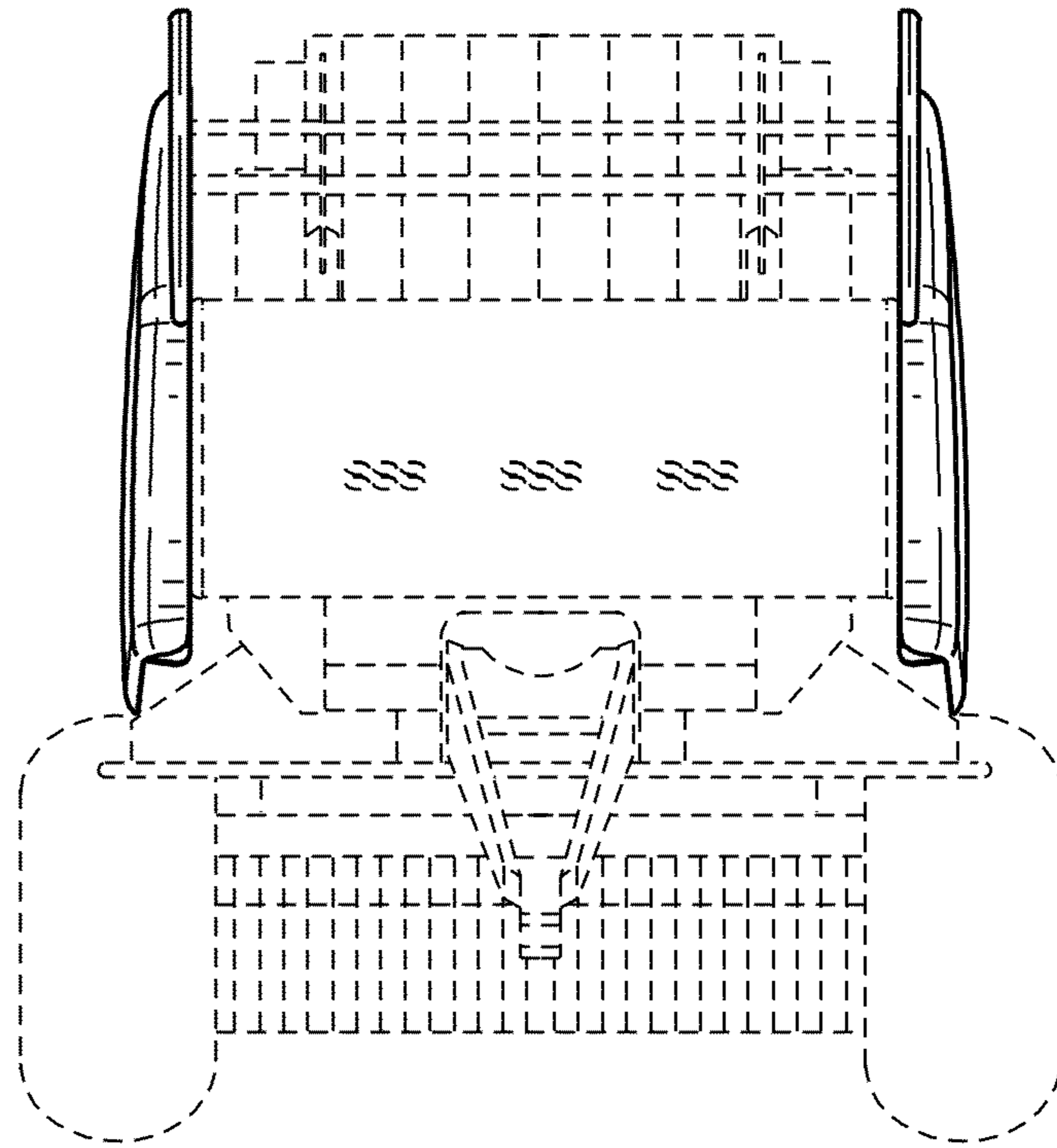
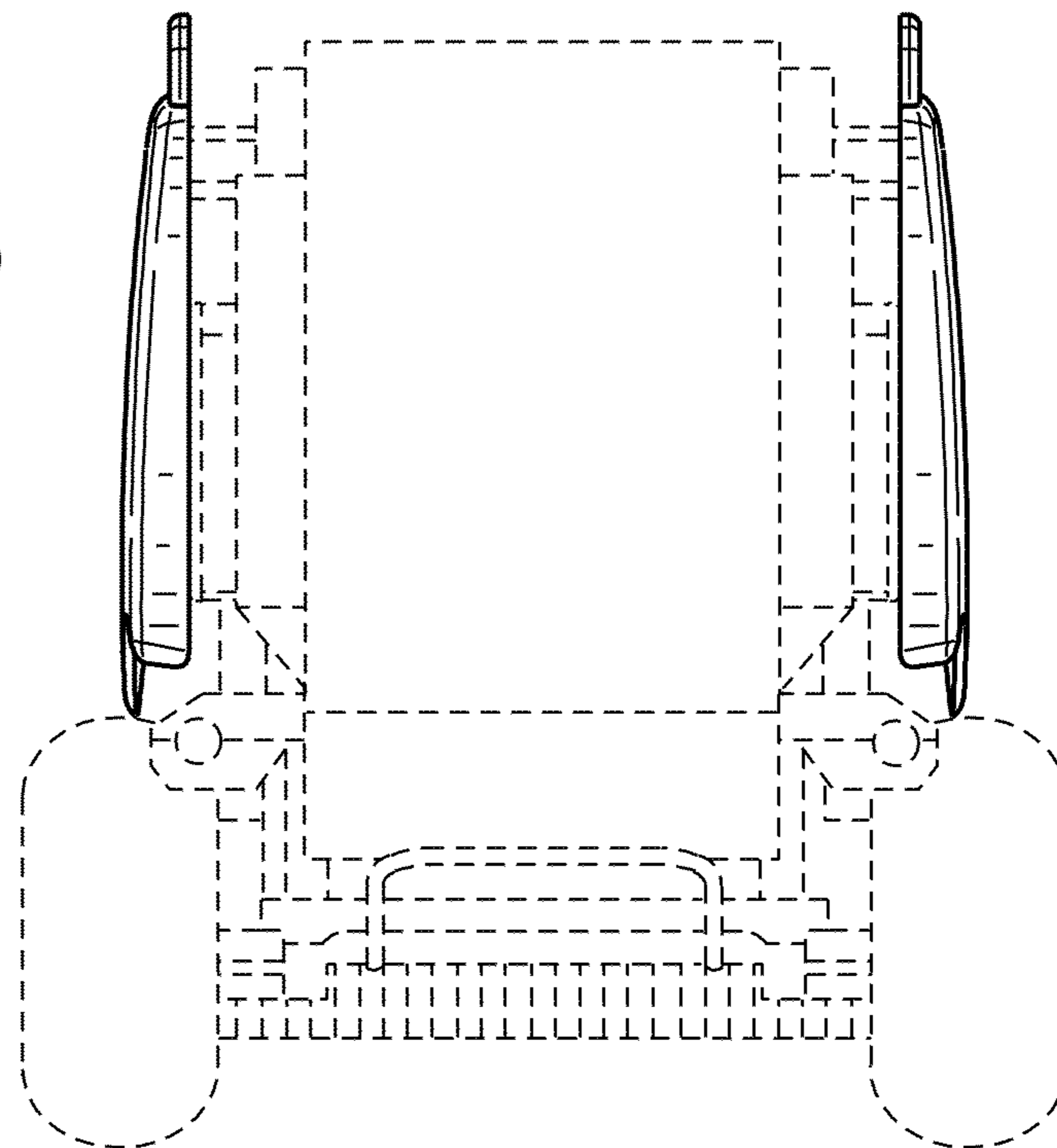


FIG. 6



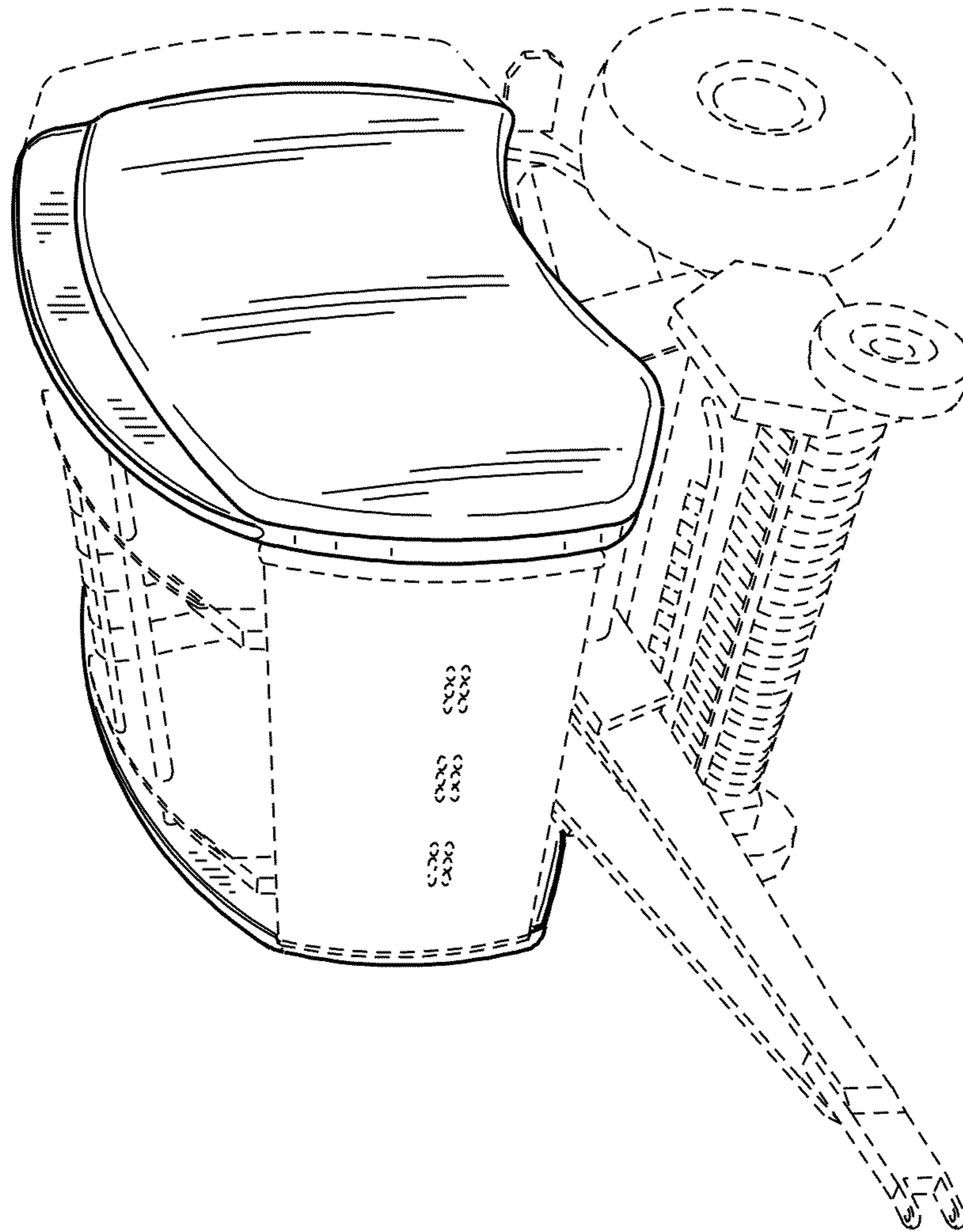


FIG. 7

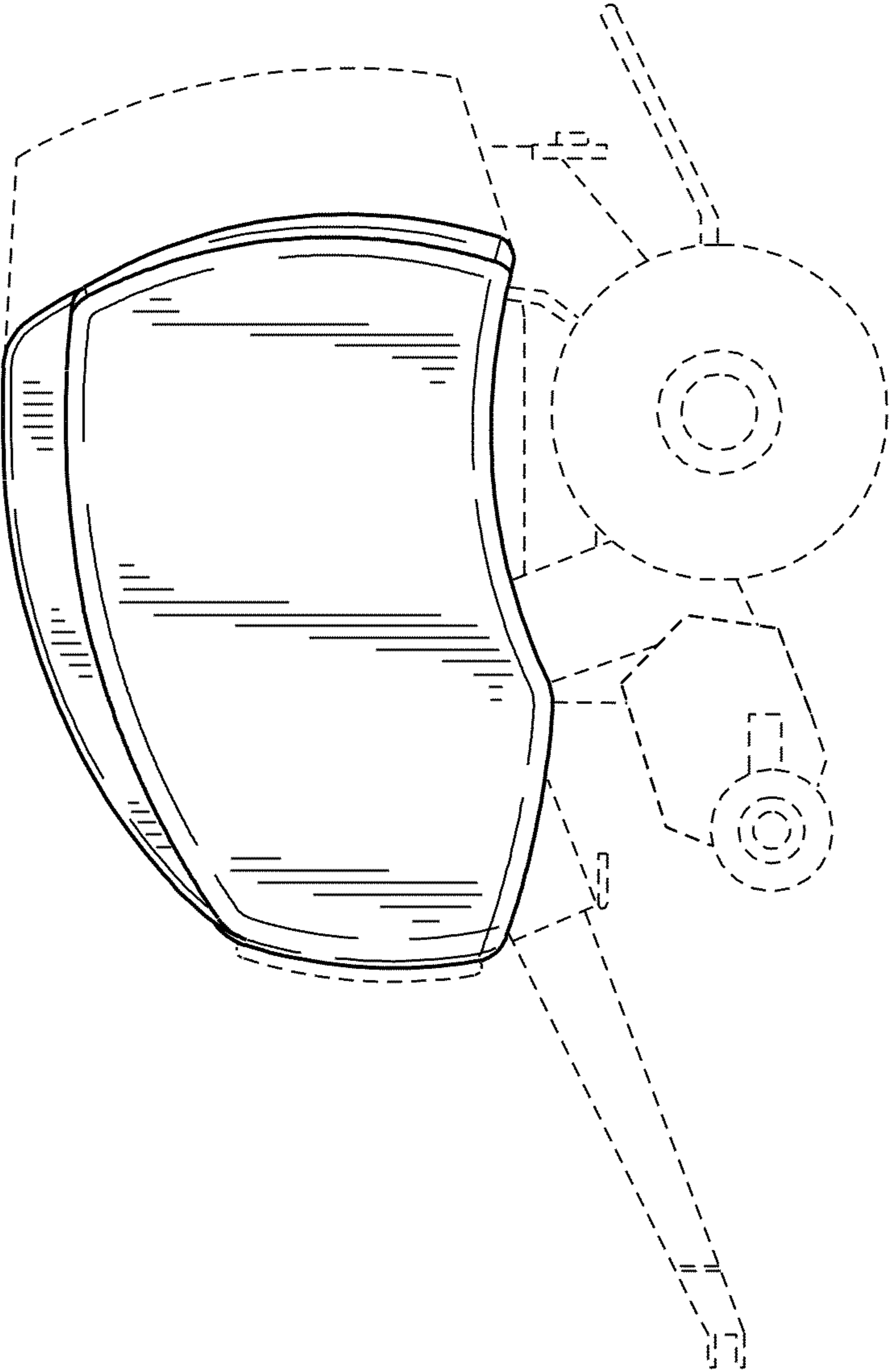


FIG. 8

FIG. 9

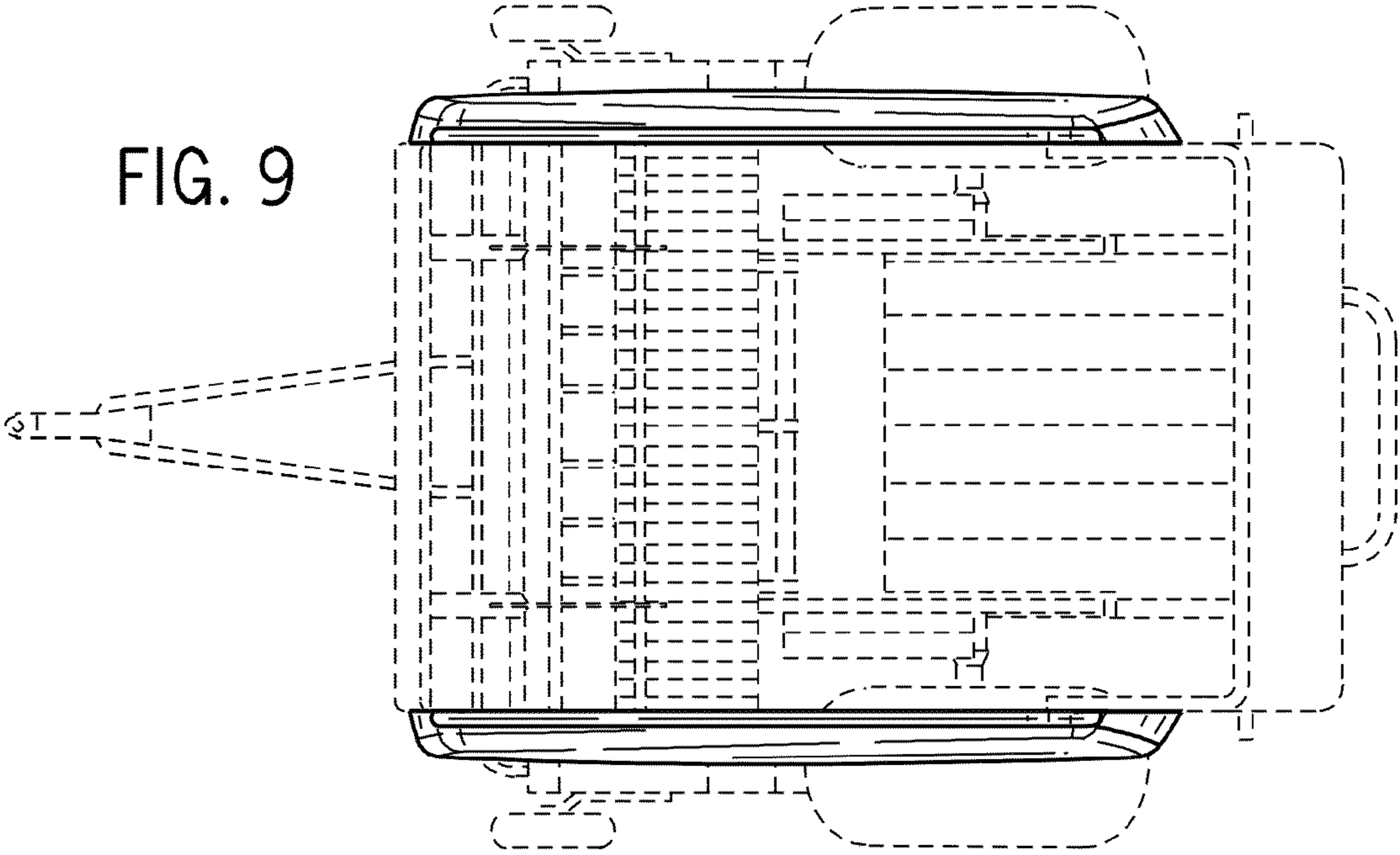


FIG. 10

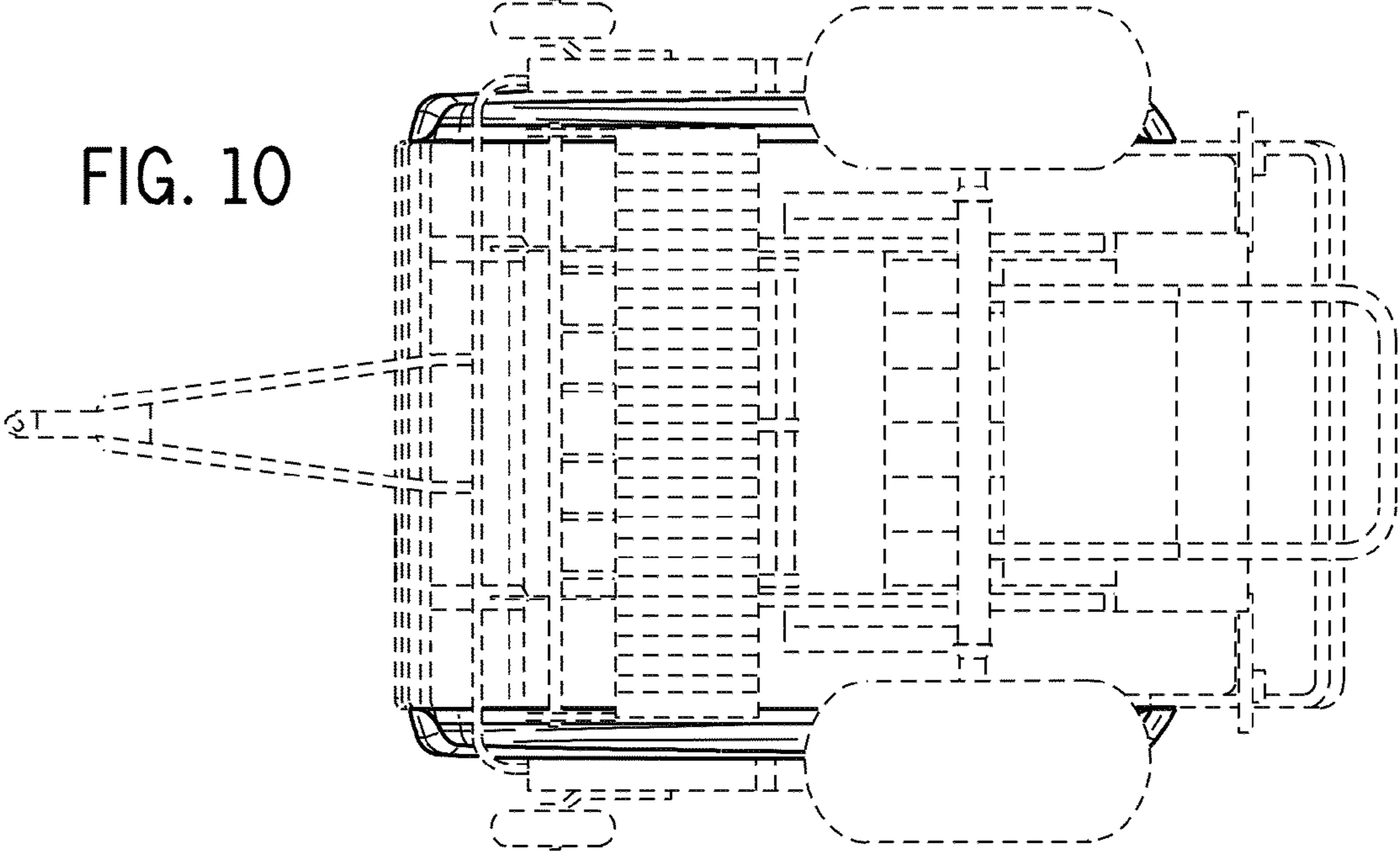


FIG. 11

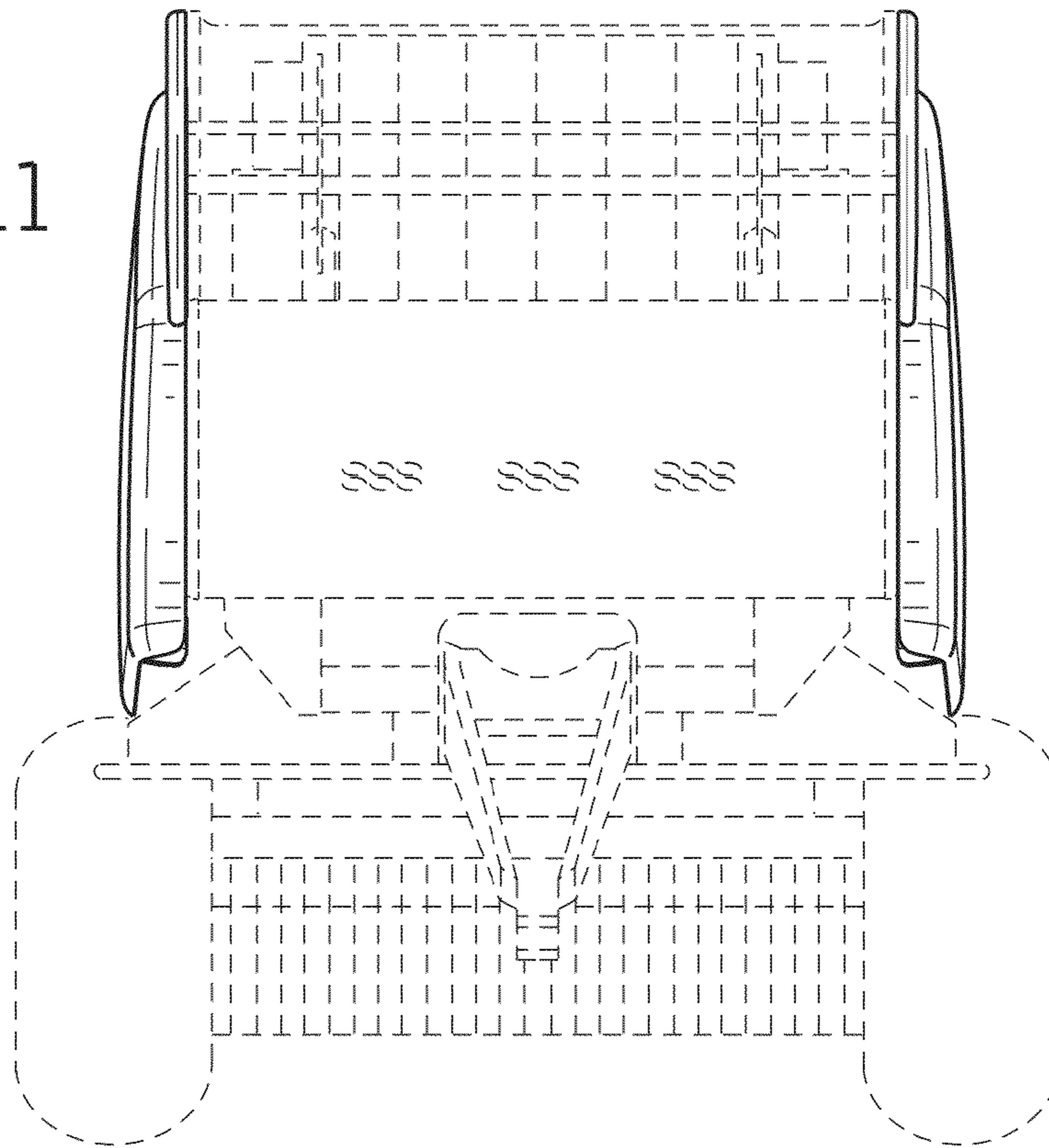


FIG. 12

