



US00D702262S

(12) **United States Design Patent**  
**Magri**

(10) **Patent No.:** **US D702,262 S**

(45) **Date of Patent:** **\*\* Apr. 8, 2014**

(54) **PISTON PUMP**

(71) Applicant: **Annovi Reverberi S.p.A.**, Modena (IT)

(72) Inventor: **Maurizio Magri**, Modena (IT)

(73) Assignee: **Annovi Reverberi S.p.A.**, Modena (IT)

(\*\*) Term: **14 Years**

(21) Appl. No.: **29/451,182**

(22) Filed: **Mar. 28, 2013**

(30) **Foreign Application Priority Data**

Feb. 28, 2013 (EP) ..... 002193656-0001

(51) **LOC (10) Cl.** ..... **15-02**

(52) **U.S. Cl.**  
USPC ..... **D15/9**

(58) **Field of Classification Search**  
USPC ..... D15/7-9; D23/231, 232, 225; 417/60,  
417/235, 265, 321, 355, 358, 363, 359,  
417/410.1, 415-416, 405, 900; 60/408,  
60/412; 184/26-37; 415/140-147;  
123/495, 509  
See application file for complete search history.

(56) **References Cited**

**U.S. PATENT DOCUMENTS**

D245,779 S \* 9/1977 Nobata ..... D15/9  
D250,113 S \* 10/1978 Nobata ..... D15/9  
D536,005 S \* 1/2007 Reverberi ..... D15/5  
D538,824 S \* 3/2007 Tojo ..... D15/7

D613,765 S \* 4/2010 Reverberi et al. .... D15/5  
D613,766 S \* 4/2010 Reverberi et al. .... D15/5  
D613,769 S \* 4/2010 Kitamura et al. .... D15/7  
D613,770 S \* 4/2010 Kitamura et al. .... D15/7  
D613,771 S \* 4/2010 Gaertner ..... D15/7  
D616,467 S \* 5/2010 Reverberi et al. .... D15/5  
D633,105 S \* 2/2011 Magri ..... D15/7  
D633,406 S \* 3/2011 Magri ..... D15/7  
D670,312 S \* 11/2012 Alexander et al. .... D15/7  
D688,273 S \* 8/2013 Magri ..... D15/7

\* cited by examiner

*Primary Examiner* — Ralf Seifert

(74) *Attorney, Agent, or Firm* — Browdy and Neimark, PLLC

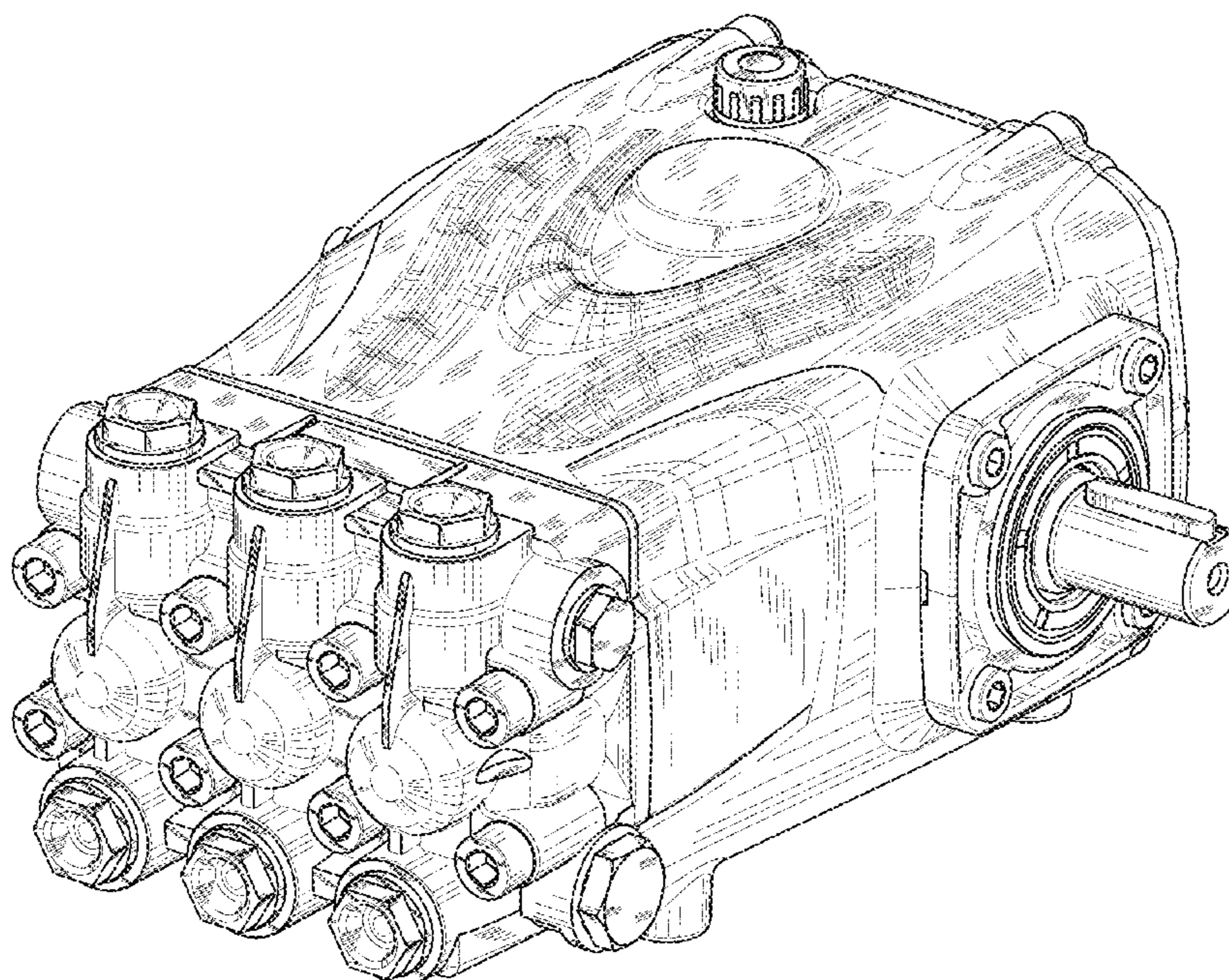
(57) **CLAIM**

The ornamental design for a piston pump, as shown and described.

**DESCRIPTION**

FIG. 1 is a right side view of a piston pump according to the present design;  
FIG. 2 is a left side view thereof;  
FIG. 3 is a back view thereof;  
FIG. 4 is a front view thereof;  
FIG. 5 is a top view thereof;  
FIG. 6 is a bottom view thereof; and,  
FIG. 7 is a perspective view thereof.  
The broken lines are included for the purpose of illustrating portions of the piston pump that form no part of the claimed design.

**1 Claim, 7 Drawing Sheets**



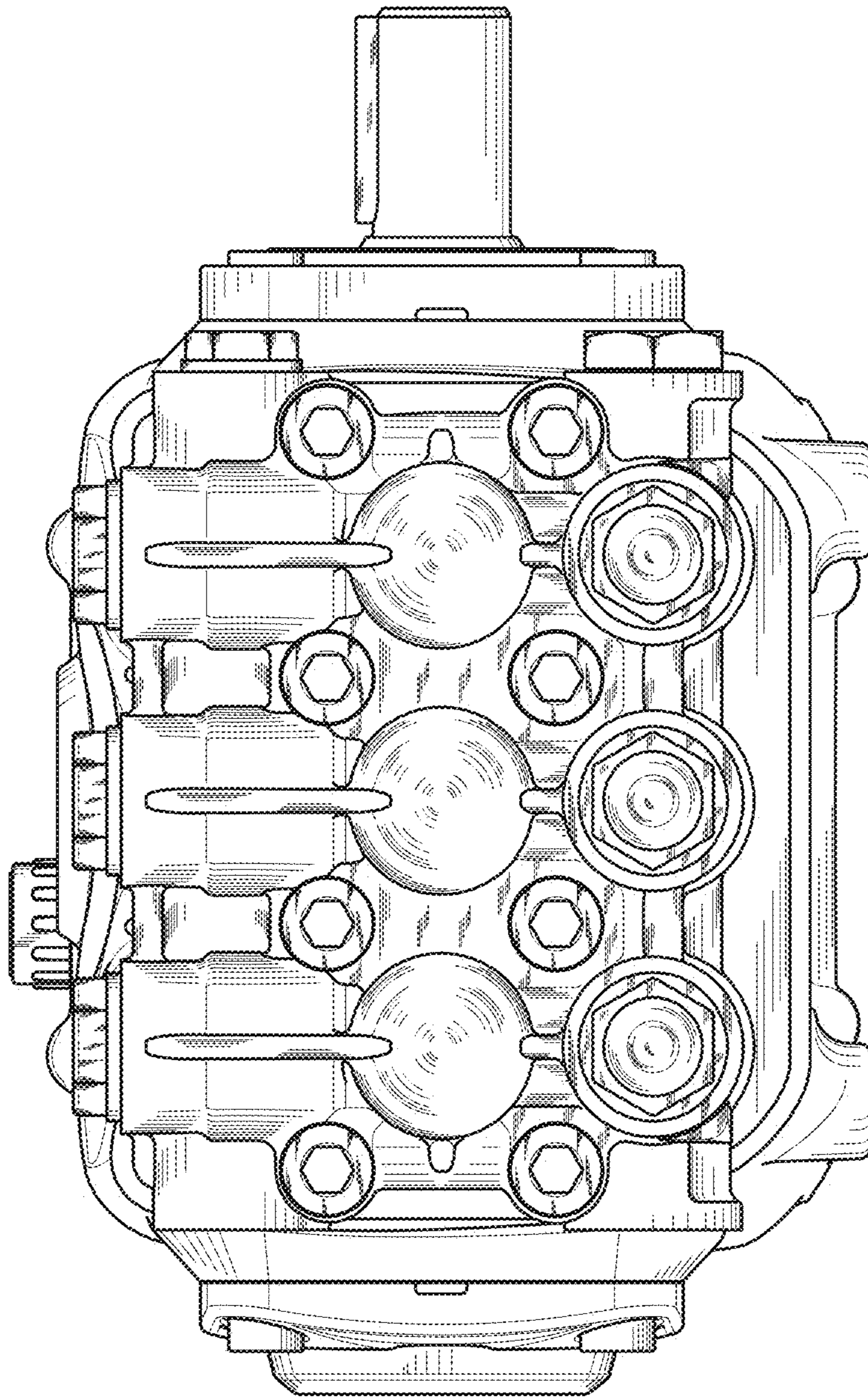


FIG. 1



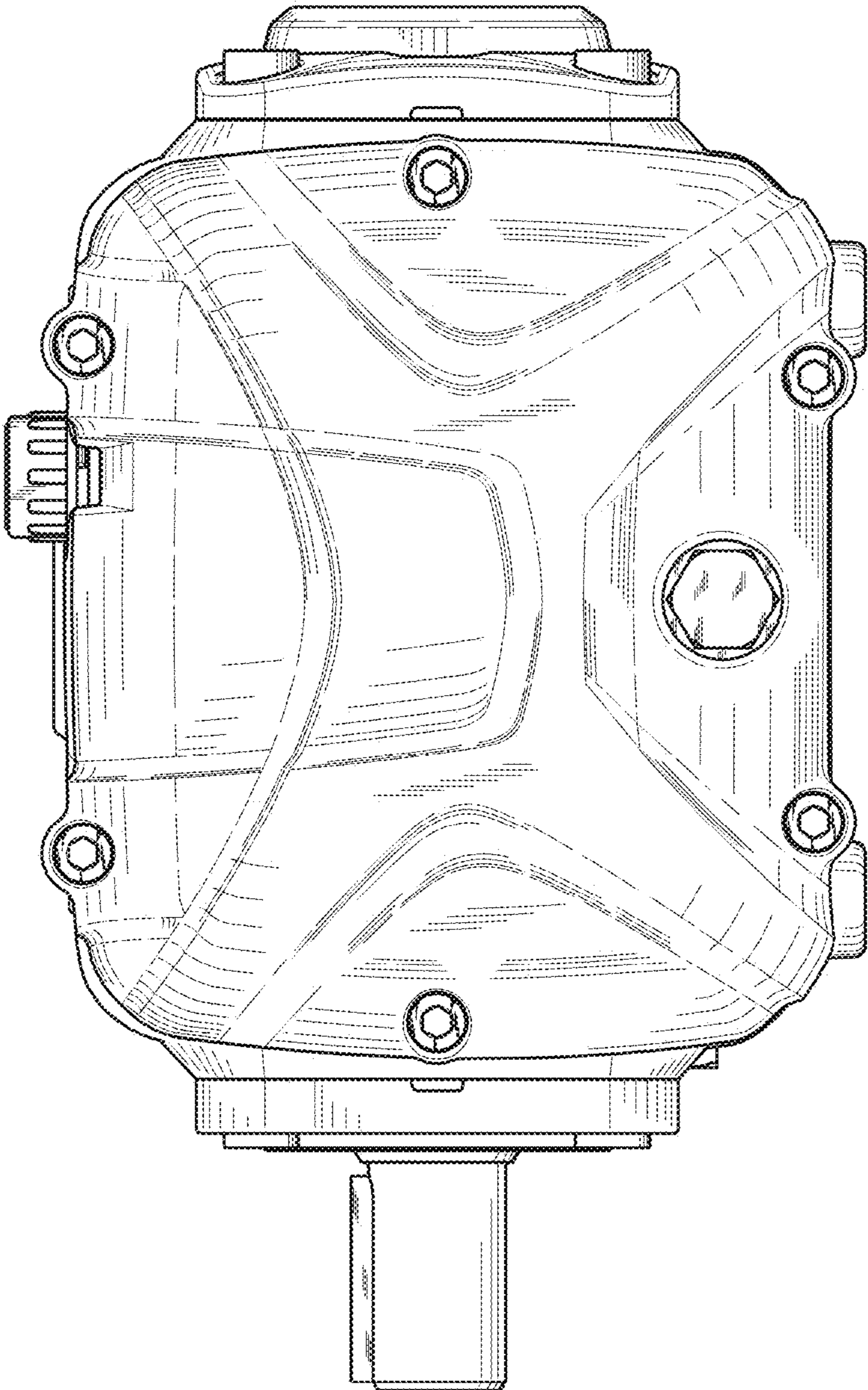
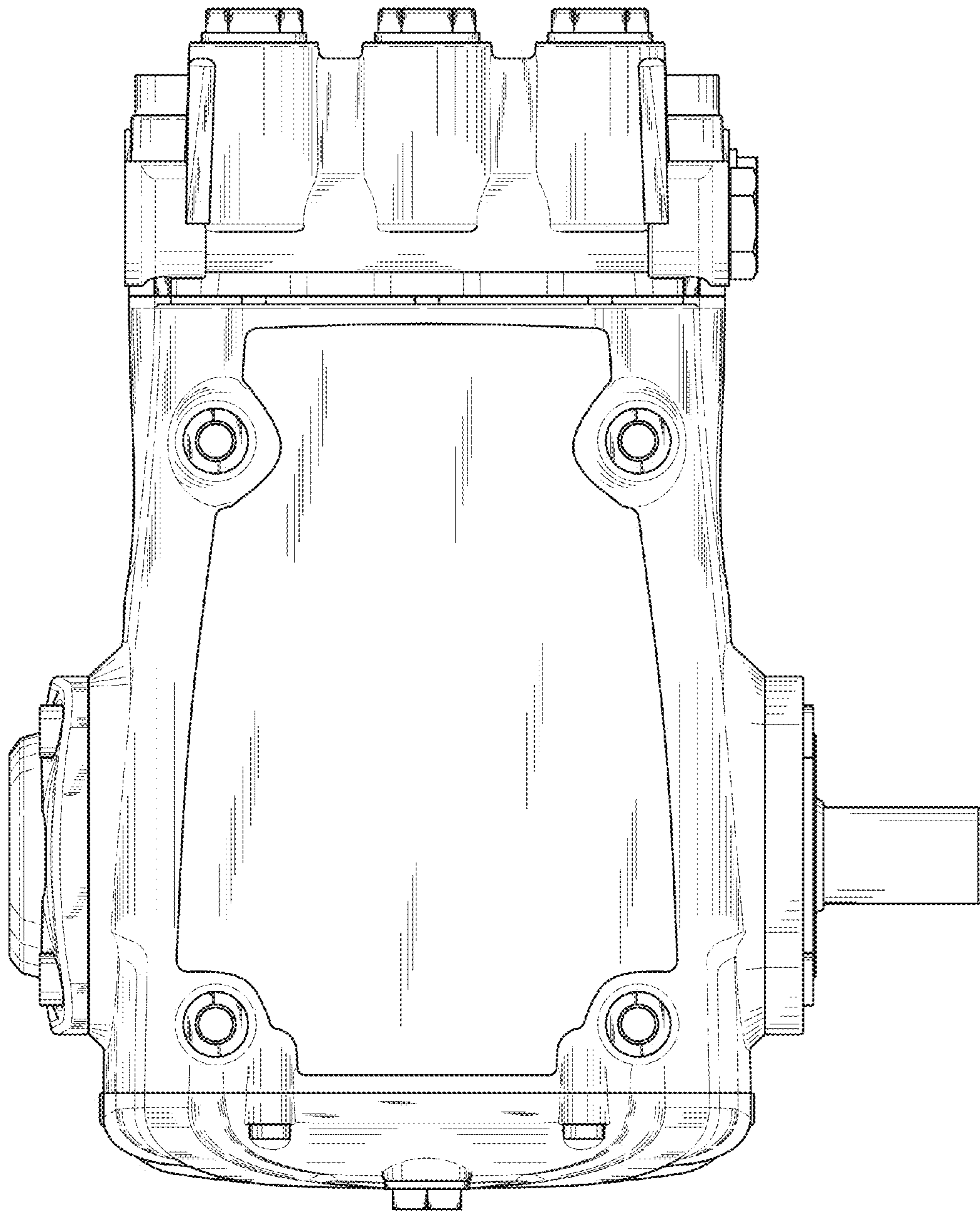


FIG. 2

FIG. 3



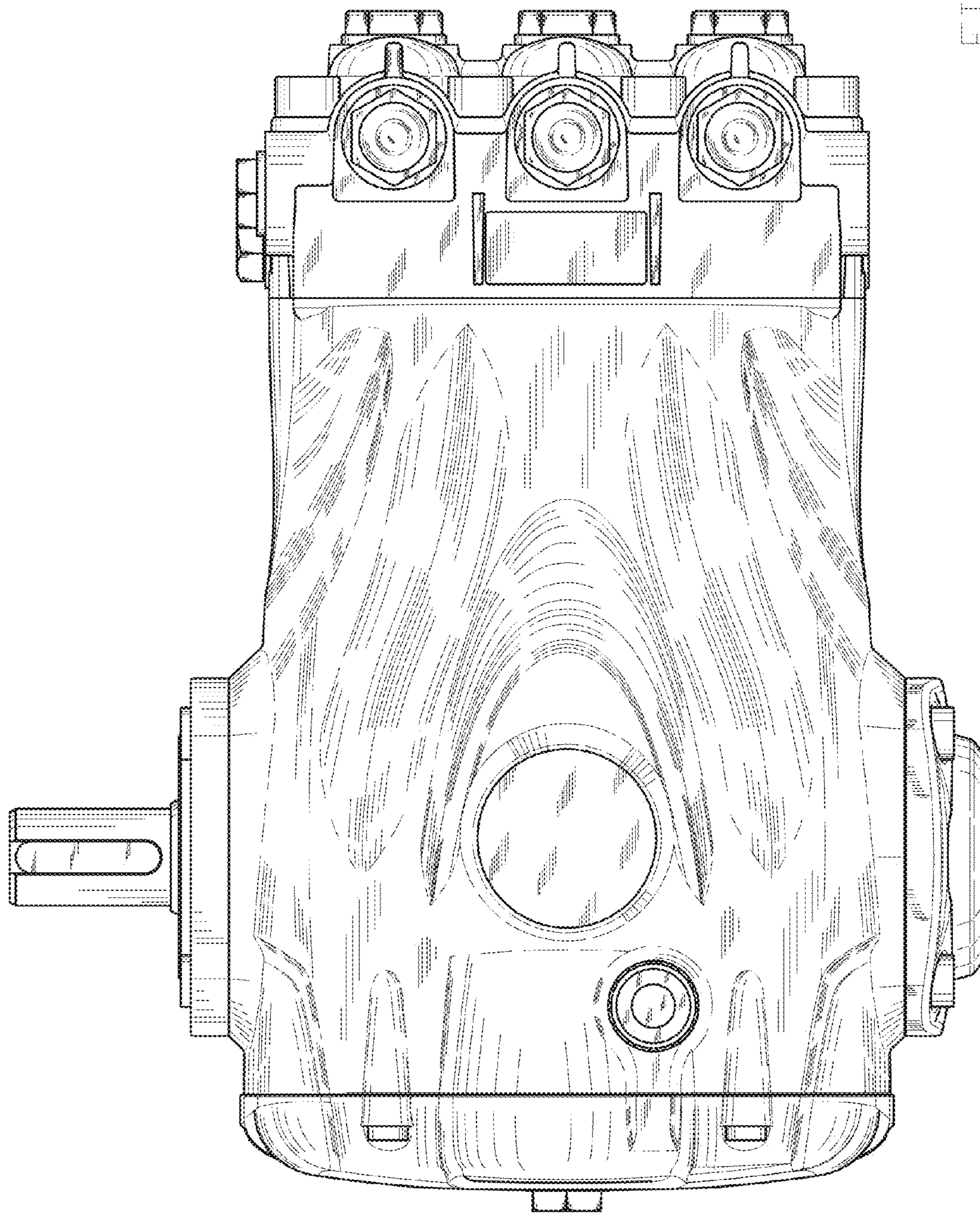


FIG. 4



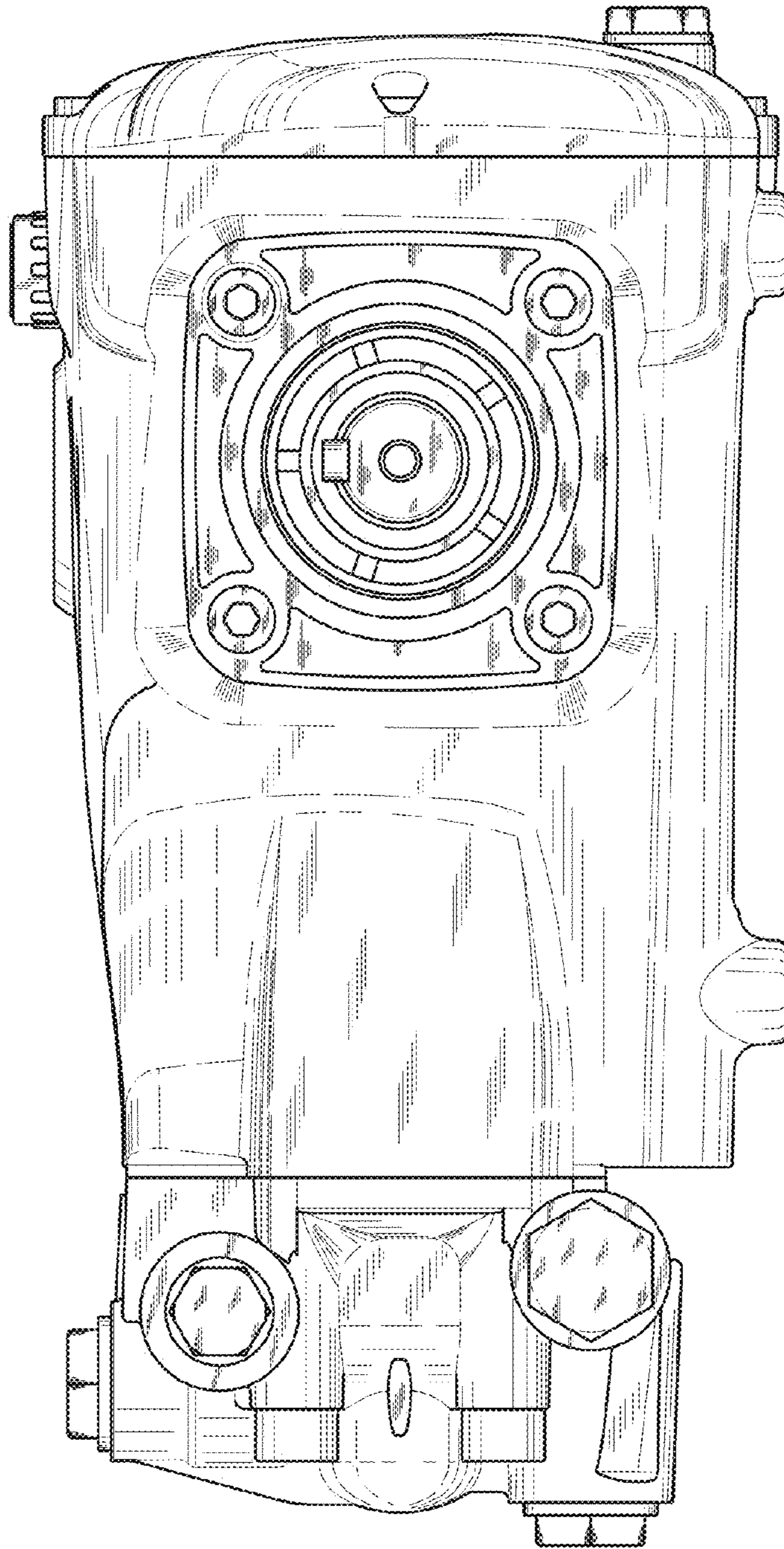


FIG. 5

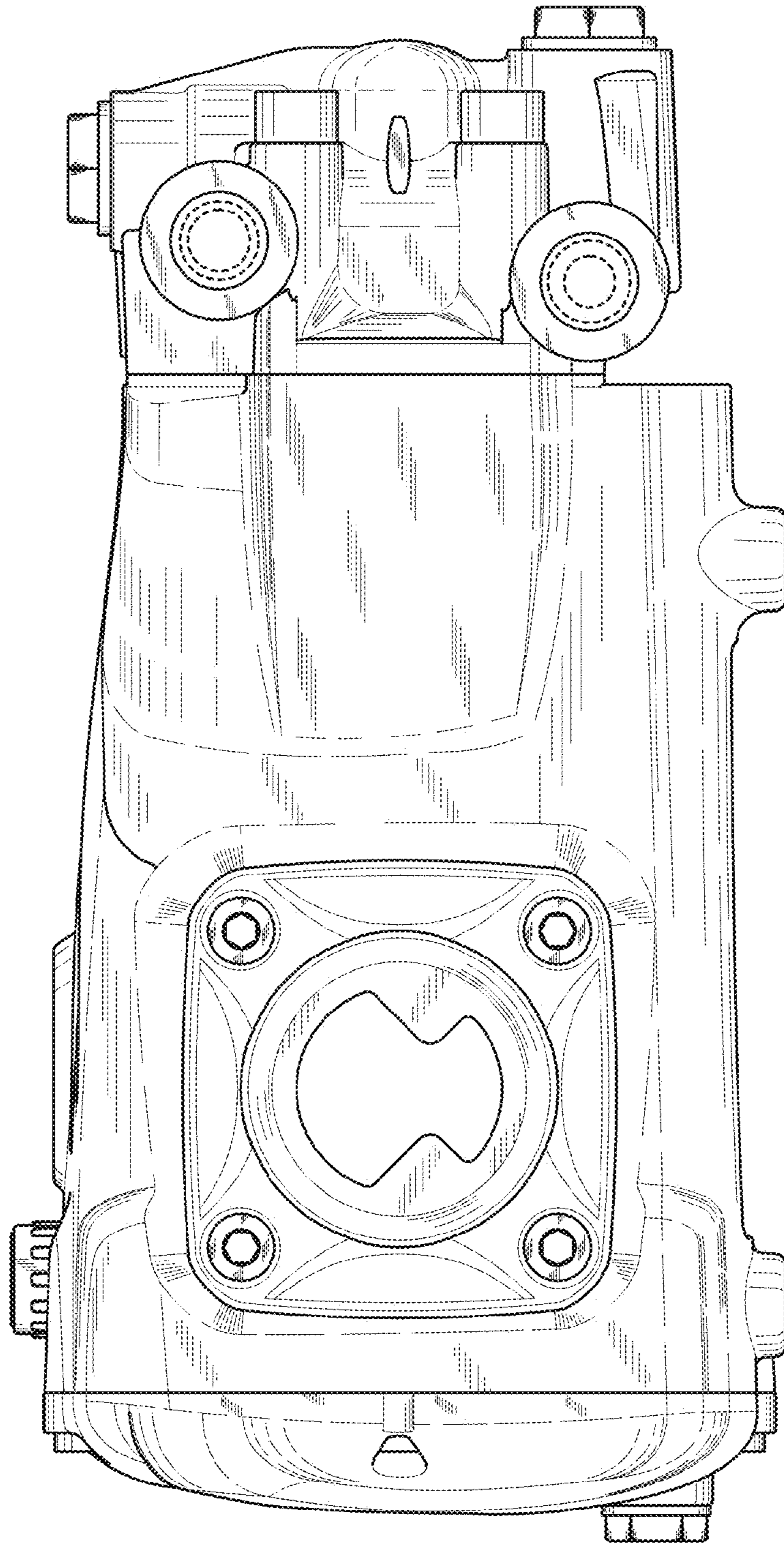


FIG. 6



FIG. 7

