



US00D702261S

(12) **United States Design Patent**
Landers et al.

(10) **Patent No.:** **US D702,261 S**

(45) **Date of Patent:** **** Apr. 8, 2014**

(54) **STAY ROD FOR A HIGH PRESSURE OIL
FIELD PUMP**

(56) **References Cited**

U.S. PATENT DOCUMENTS

(71) Applicants: **R. Scott Landers**, Fort Worth, TX (US);
W. H. Barnott, Jr., Fort Worth, TX (US)

54,484	A	*	5/1866	Ray	166/105.2
4,552,180	A	*	11/1985	Mayer	137/625.66
5,232,304	A	*	8/1993	Huang	403/374.4
7,143,829	B2	*	12/2006	Booth	166/311
D641,382	S	*	7/2011	Hawes et al.	D15/7
D643,855	S	*	8/2011	Taniguchi et al.	D15/7
D682,317	S	*	5/2013	Carruth et al.	D15/7

(72) Inventors: **R. Scott Landers**, Fort Worth, TX (US);
W. H. Barnott, Jr., Fort Worth, TX (US)

(**) Term: **14 Years**

* cited by examiner

(21) Appl. No.: **29/467,121**

Primary Examiner — Ralf Seifert

(74) *Attorney, Agent, or Firm* — Charles D. Gunter, Jr.

(22) Filed: **Sep. 16, 2013**

(57) **CLAIM**

The ornamental design for a stay rod for a high pressure oil field pump, as shown and described.

Related U.S. Application Data

DESCRIPTION

(63) Continuation of application No. 12/959,114, filed on Dec. 2, 2010.

(51) **LOC (10) Cl.** **15-02**

(52) **U.S. Cl.**

USPC **D15/7**

(58) **Field of Classification Search**

USPC D15/5, 7-9; D23/231, 232, 225;
417/60, 235, 265, 321, 355, 358, 363,
417/359, 410.1, 415-416, 405, 900, 43,
417/554, 360; 60/408, 412; 184/26-37;
415/140-147; 123/495, 509

FIG. 1 is a perspective view of a high pressure oil field pump having an upper and a lower stay rod for a high pressure oil field pump mounted thereon, the high pressure oil field pump being shown in dotted lines as not forming a part of the presently claimed invention;

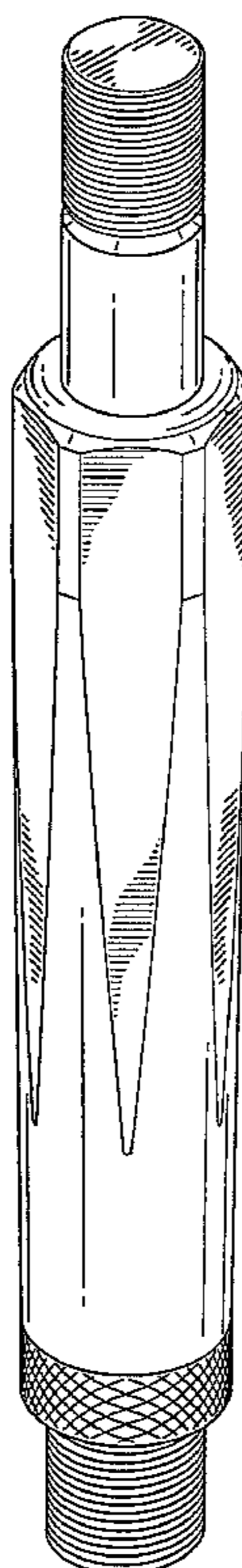
FIG. 2 is a front perspective view of a stay rod for a high pressure oil field pump of the invention, showing three of the fluted surfaces thereof, the remaining three fluted surfaces on the rear being mirror images thereof;

FIG. 3 is a top end view of the stay rod for a high pressure oil field pump of FIG. 2; and,

FIG. 4 is a bottom end view of the stay rod for a high pressure oil field pump of FIG. 2.

See application file for complete search history.

1 Claim, 2 Drawing Sheets



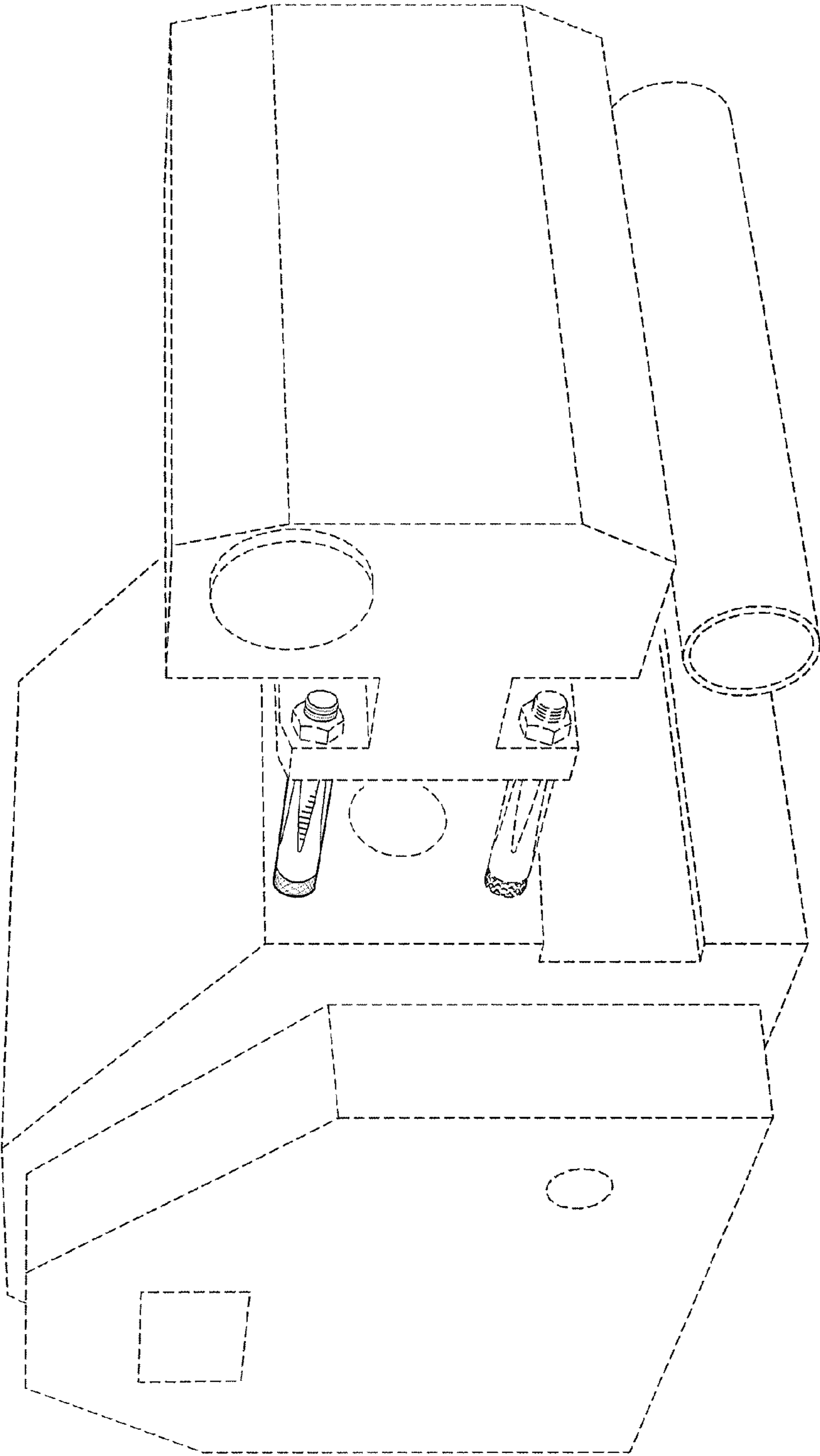


FIG. 1

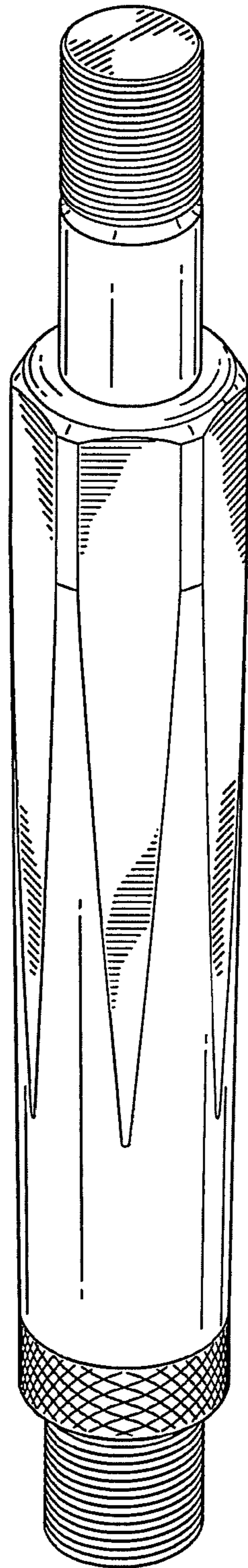


FIG. 2

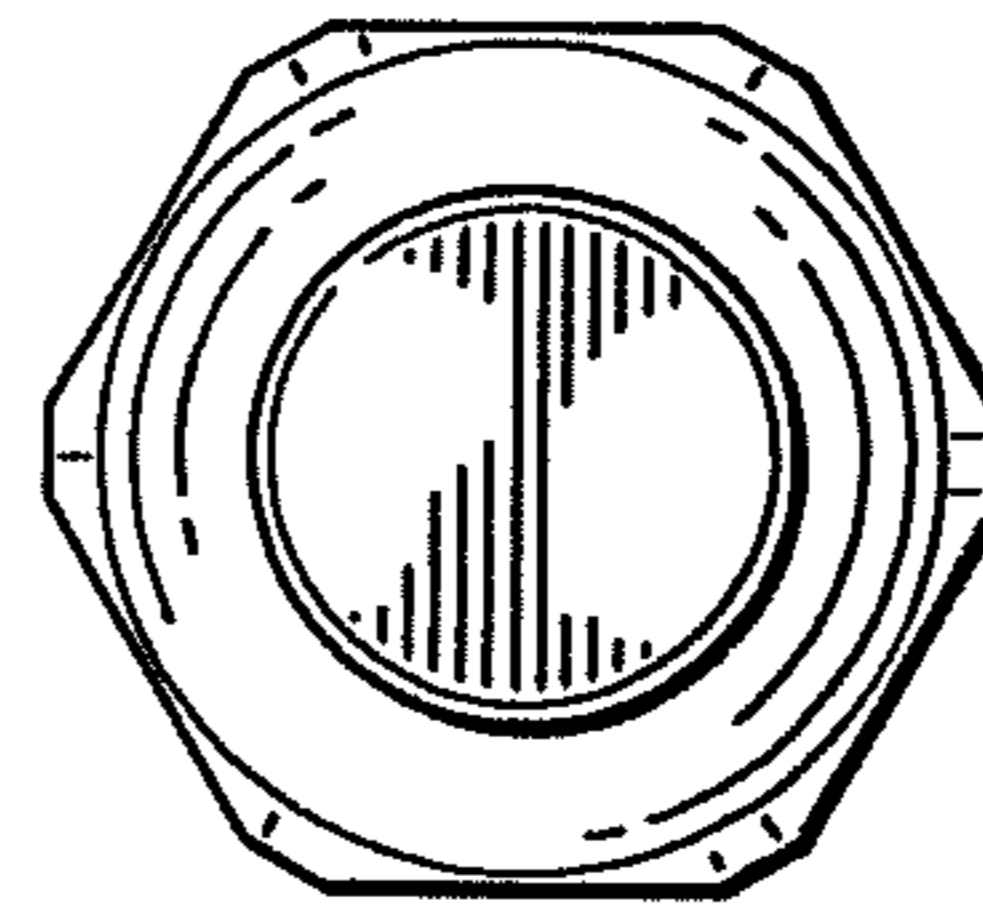


FIG. 3

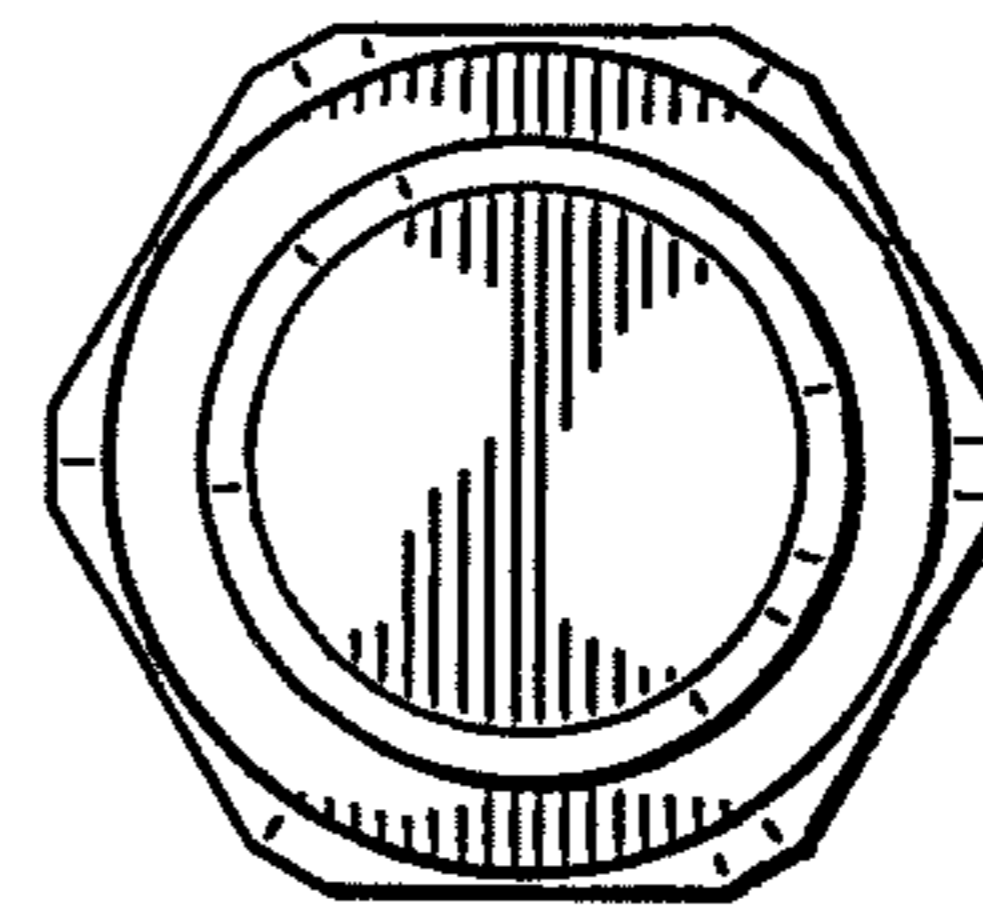


FIG. 4