



US00D702260S

(12) **United States Design Patent**
Hassall et al.

(10) **Patent No.:** **US D702,260 S**

(45) **Date of Patent:** **** *Apr. 8, 2014**

(54) **CYLINDER BLOCK**

(71) Applicant: **Cummins Inc.**, Columbus, IN (US)

(72) Inventors: **Nathaniel P. Hassall**, Thirsk (GB);
Aaron S. Quinton, Columbus, IN (US);
John Jerl Purcell, III, Louisa, VA (US)

(73) Assignee: **Cummins Inc.**, Columbus, IN (US)

(*) Notice: This patent is subject to a terminal disclaimer.

(**) Term: **14 Years**

(21) Appl. No.: **29/438,420**

(22) Filed: **Nov. 29, 2012**

(51) **LOC (10) Cl.** **15-01**

(52) **U.S. Cl.**
USPC **D15/5**

(58) **Field of Classification Search**
USPC D15/1-6; 123/52.1, 52.3, 54.6, 58.1
See application file for complete search history.

(56) **References Cited**

U.S. PATENT DOCUMENTS

5,669,346 A * 9/1997 Leweux et al. 123/195 R
6,216,658 B1 * 4/2001 Pierro et al. 123/193.2

6,286,475 B1 * 9/2001 Pierro 123/195 A
6,349,681 B1 * 2/2002 Li 123/41.74
6,415,758 B1 * 7/2002 Pierro et al. 123/195 R
2004/0035375 A1 * 2/2004 Gibisch et al. 123/41.74
2007/0143996 A1 * 6/2007 Michioka 29/888.06
2009/0320472 A1 * 12/2009 Cowland et al. 60/624
2012/0291746 A1 * 11/2012 Breidenbach et al. 123/195 R

* cited by examiner

Primary Examiner — T. Chase Nelson

Assistant Examiner — Ania Aman

(74) *Attorney, Agent, or Firm* — Faegre Baker Daniels LLP

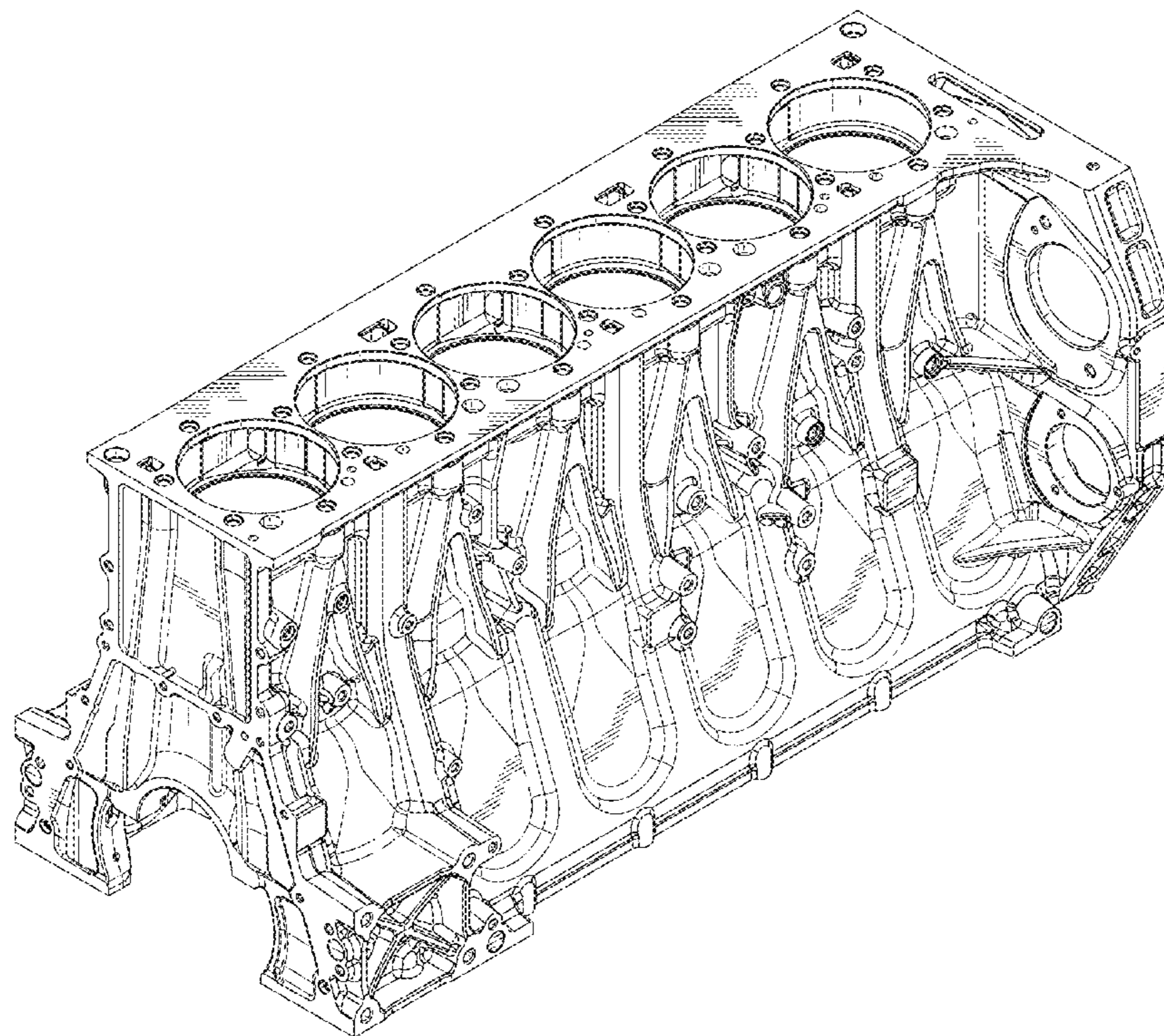
(57) **CLAIM**

The ornamental design for a cylinder block, as shown and described.

DESCRIPTION

FIG. 1 is a right side frontal perspective view of the cylinder block;
FIG. 2 is a left side rear perspective view of the cylinder block;
FIG. 3 is a top view of the cylinder block;
FIG. 4 is a bottom view of the cylinder block;
FIG. 5 is a right side view of the cylinder block;
FIG. 6 is a left side view of the cylinder block;
FIG. 7 is a front view of the cylinder block; and,
FIG. 8 is a rear view of the cylinder block.

1 Claim, 8 Drawing Sheets



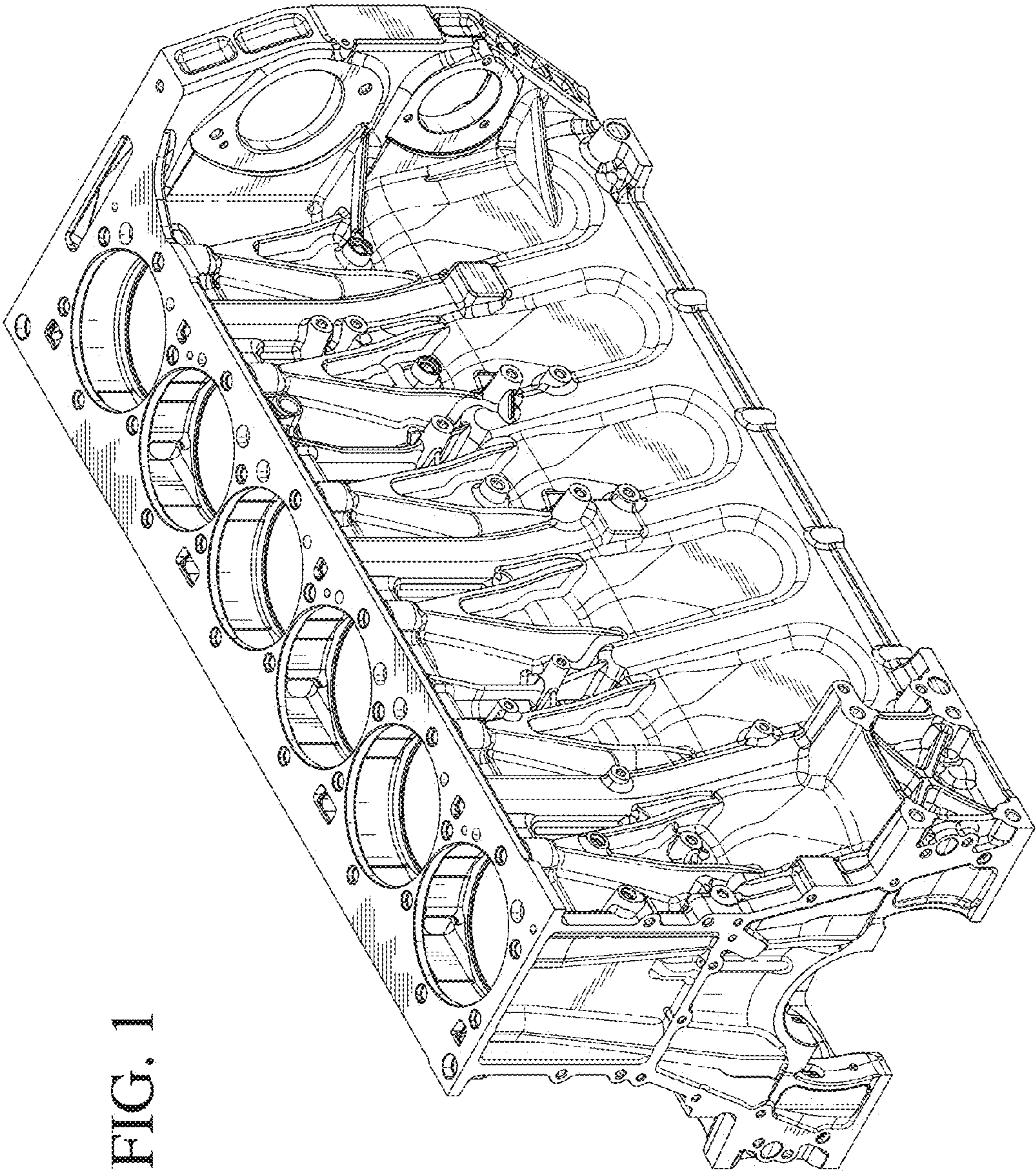


FIG. 1

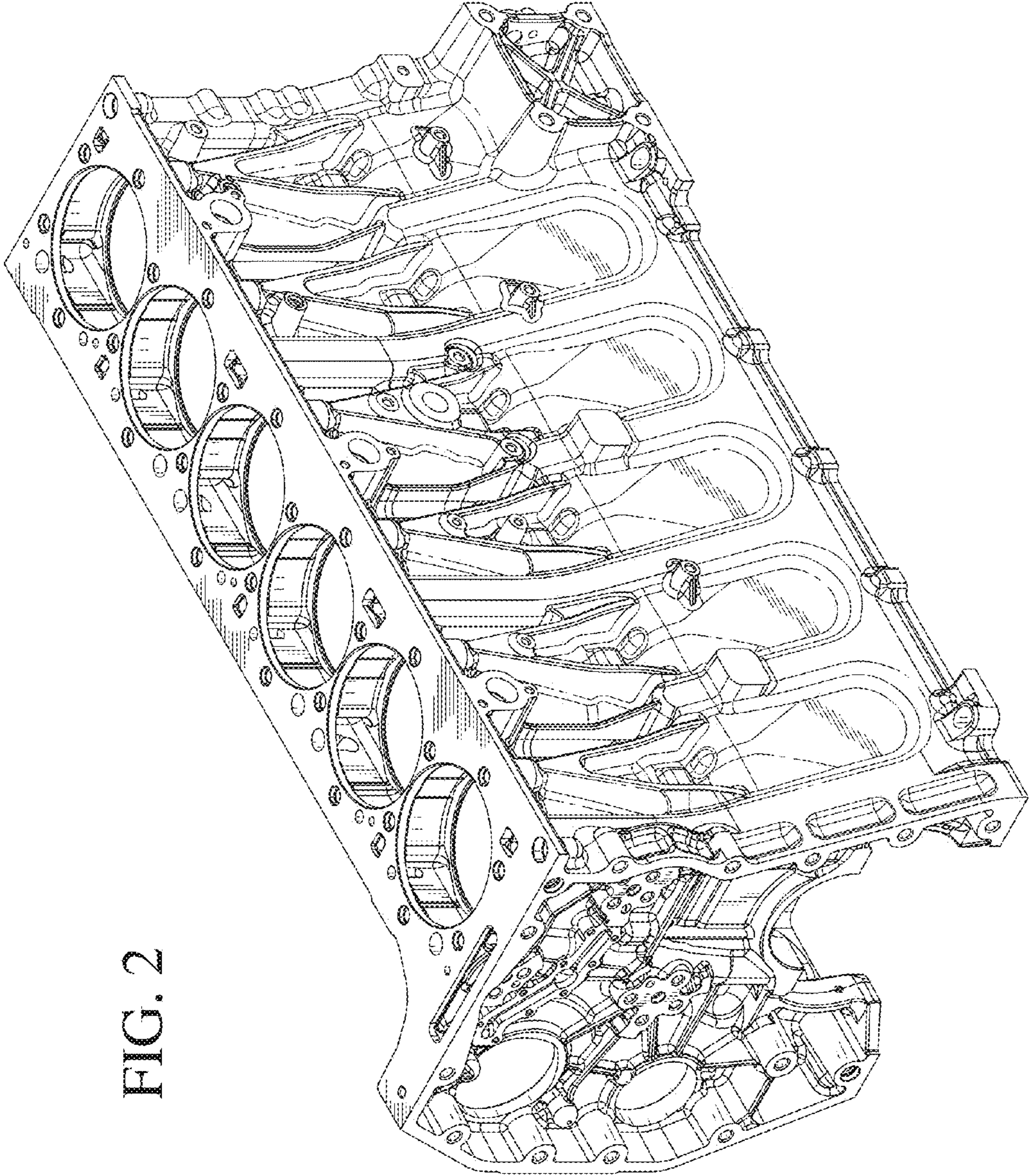


FIG. 2

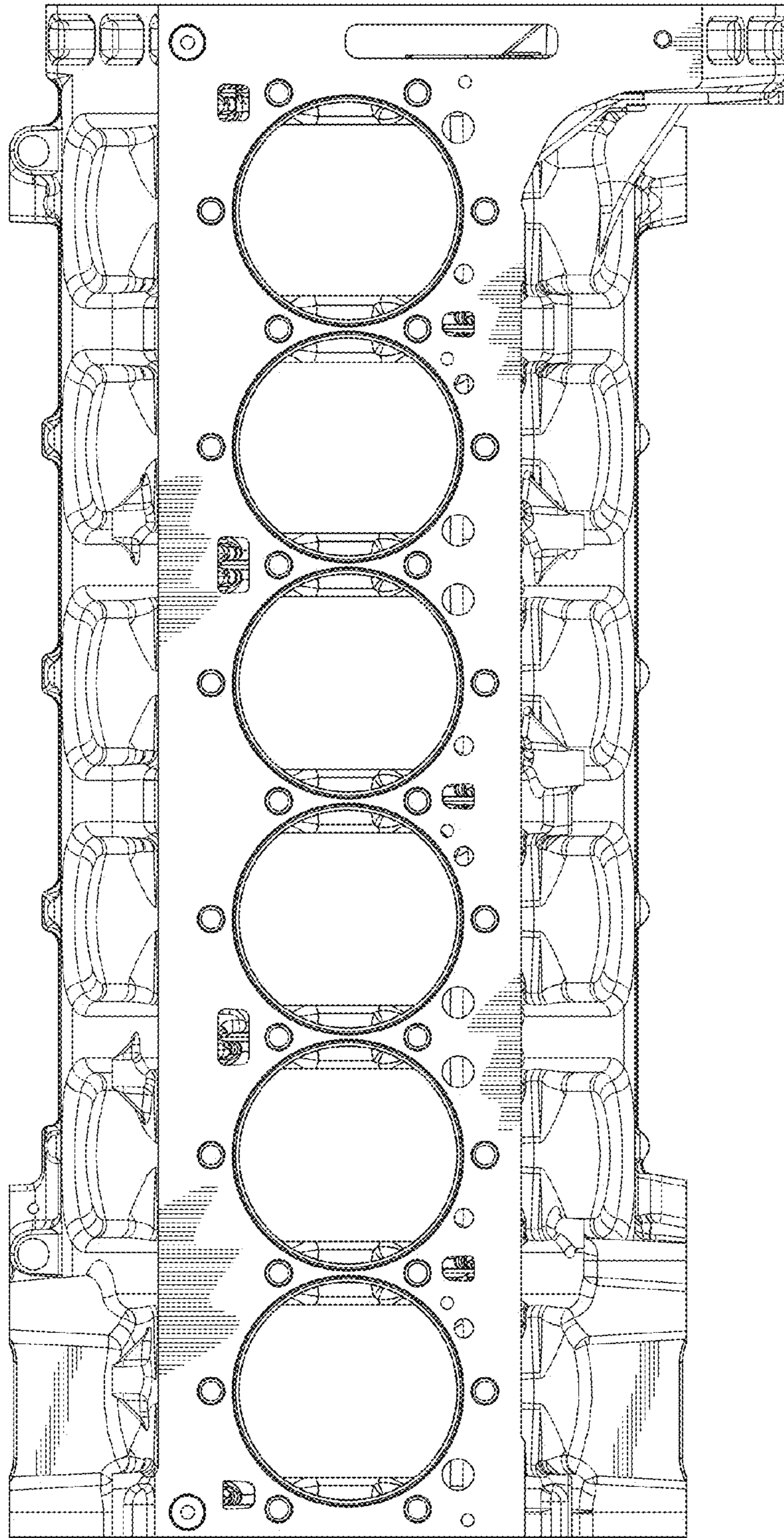


FIG. 3

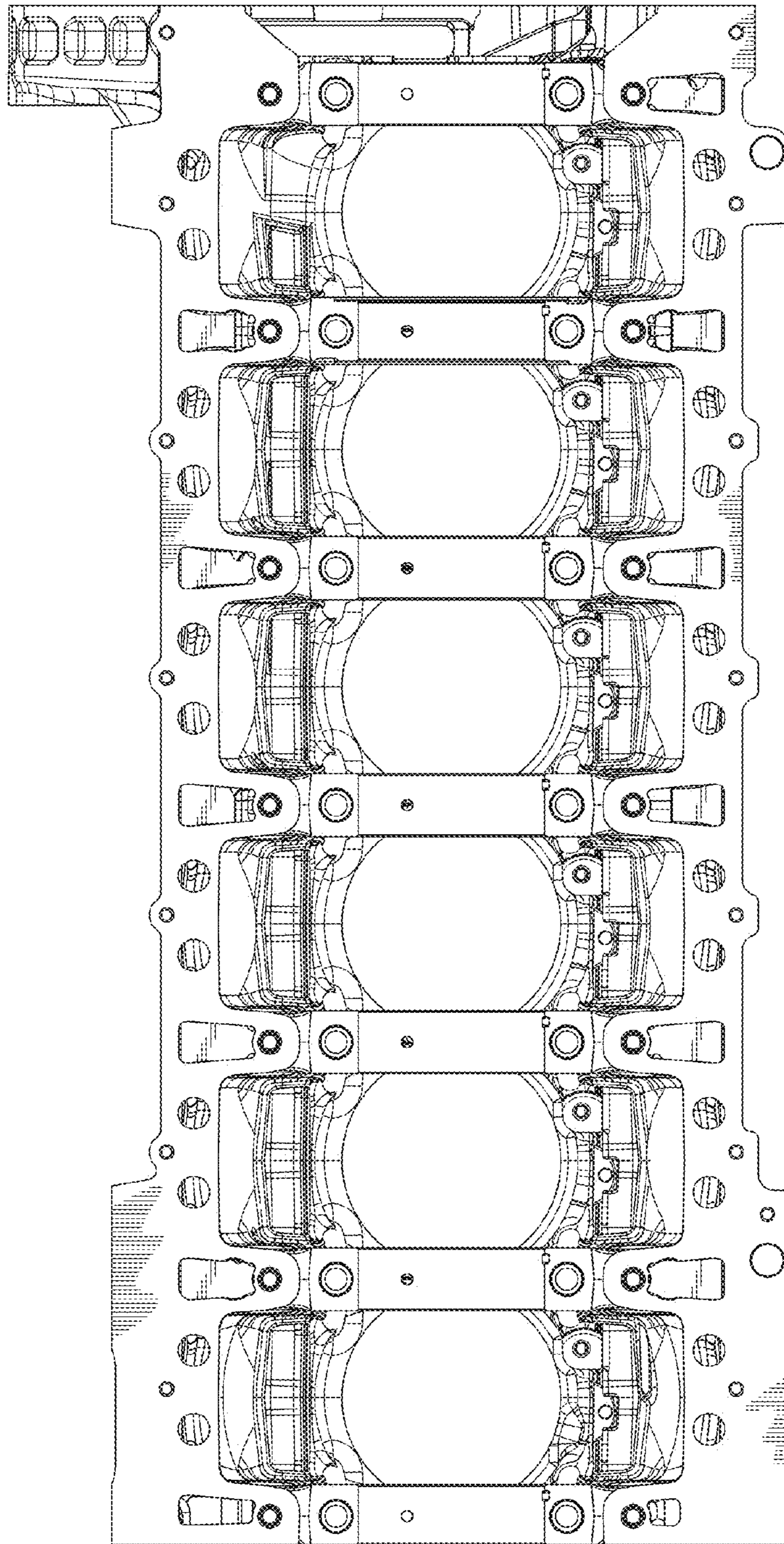


FIG. 4

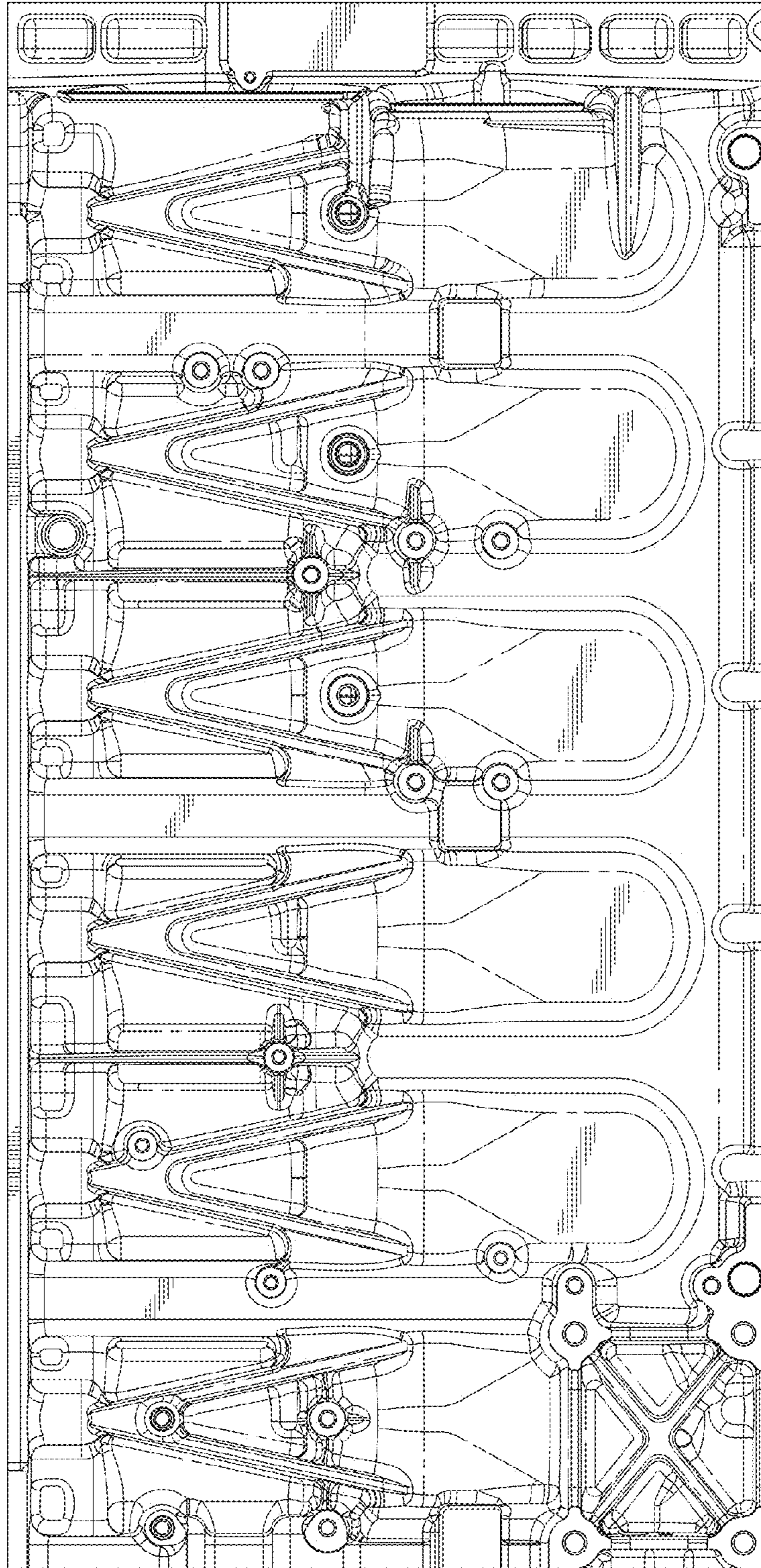


FIG. 5

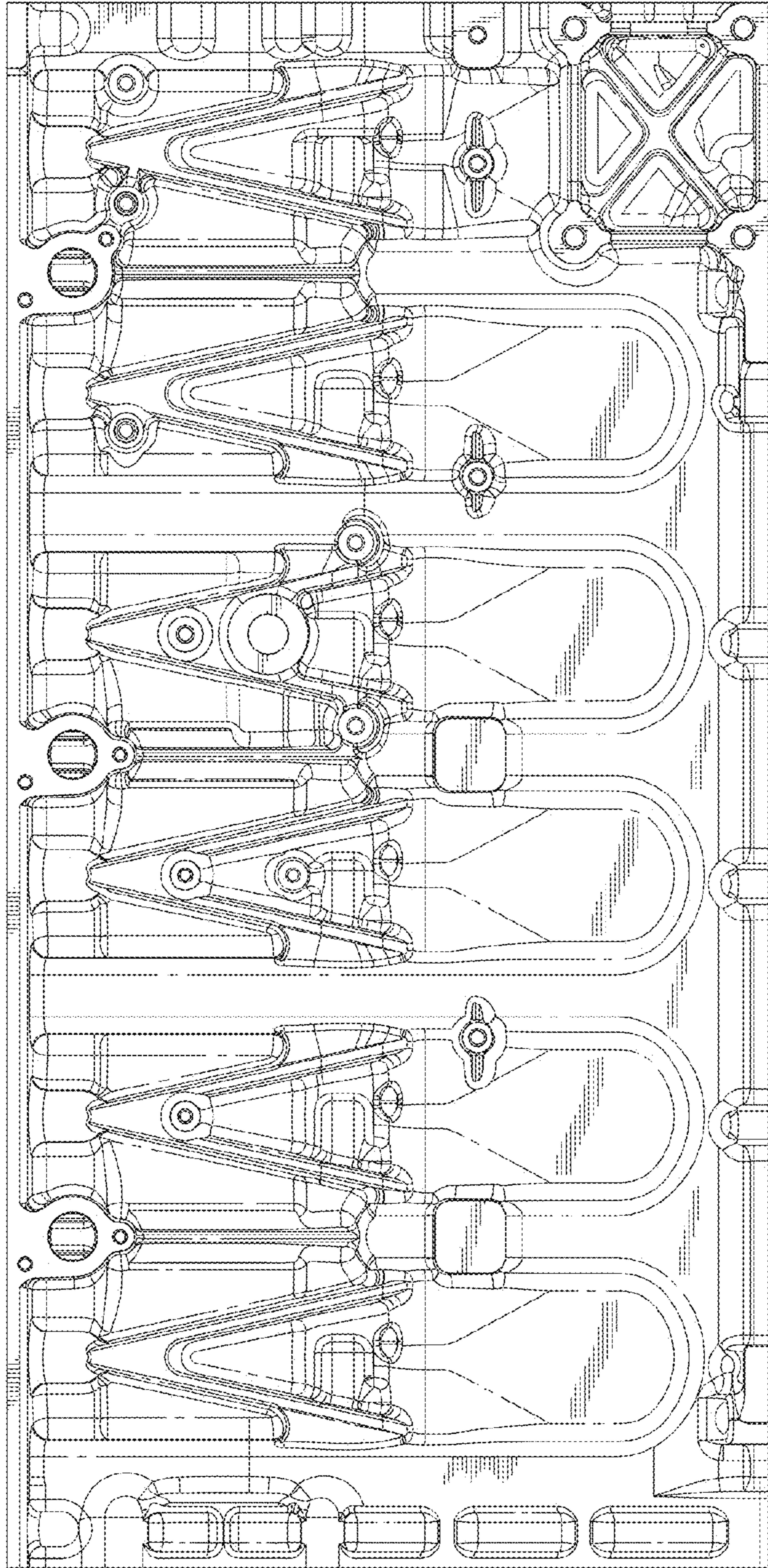


FIG. 6

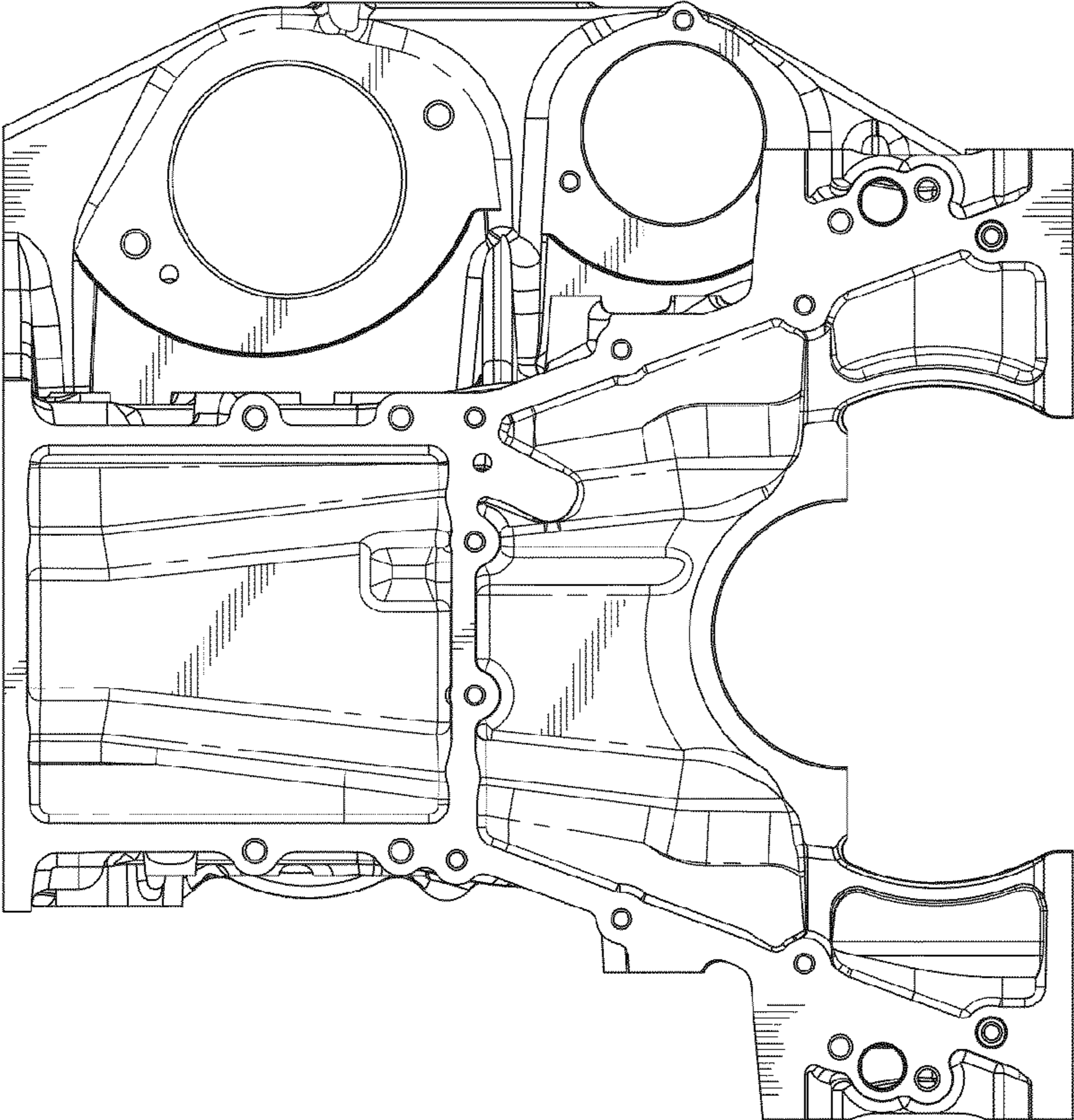


FIG. 7

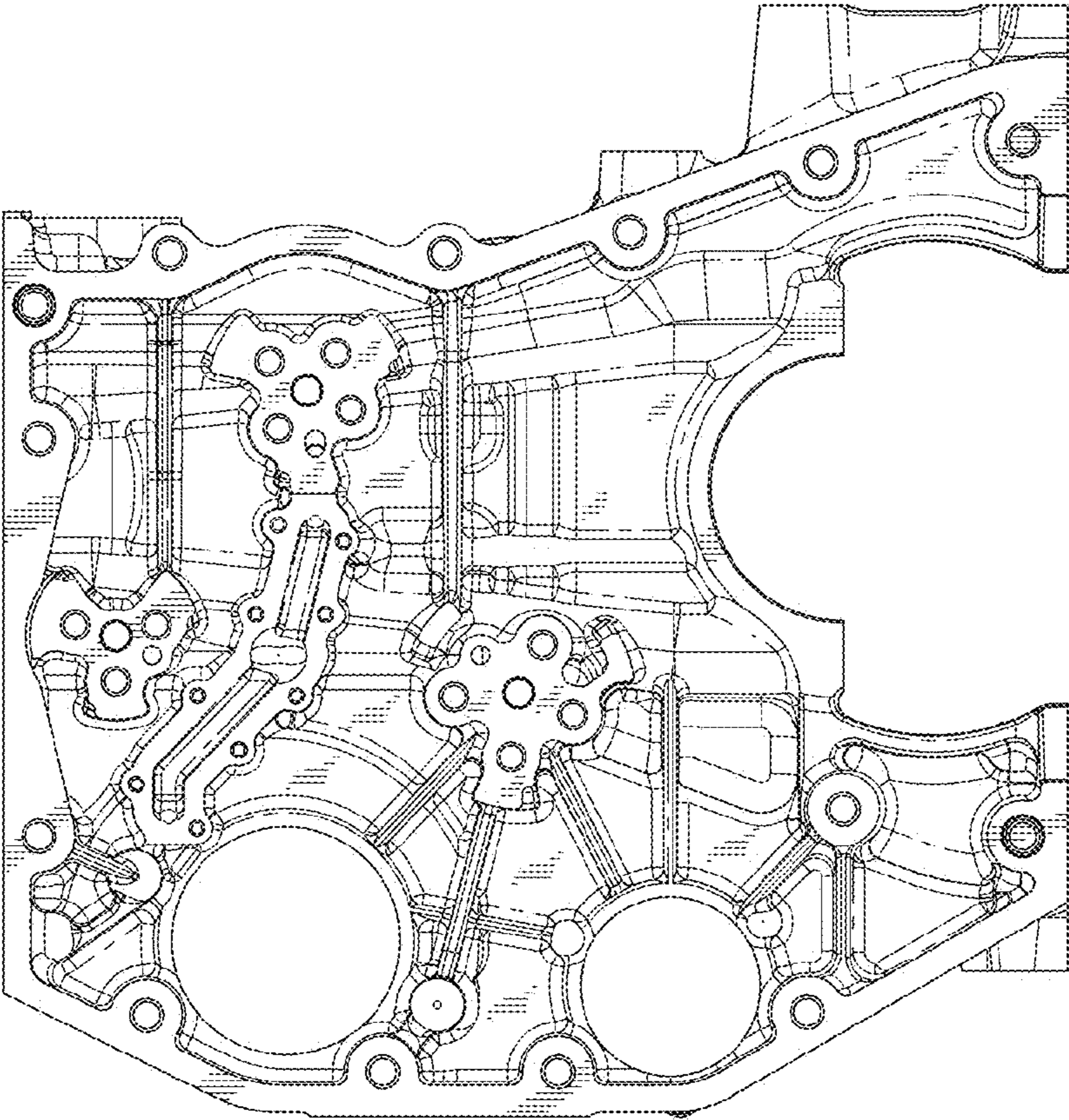


FIG. 8