



US00D702253S

(12) **United States Design Patent**
Kotler et al.

(10) **Patent No.:** **US D702,253 S**

(45) **Date of Patent:** **** Apr. 8, 2014**

(54) **DISPLAY SCREEN WITH GRAPHICAL USER INTERFACE**

(71) Applicant: **Microsoft Corporation**, Redmond, WA (US)

(72) Inventors: **Matthew J. Kotler**, Sammamish, WA (US); **Erez Kikin Gil**, Redmond, WA (US)

(73) Assignee: **Microsoft Corporation**, Redmond, WA (US)

(**) Term: **14 Years**

(21) Appl. No.: **29/446,806**

(22) Filed: **Feb. 27, 2013**

(51) **LOC (10) Cl.** **14-04**

(52) **U.S. Cl.**
USPC **D14/487**

(58) **Field of Classification Search**
USPC D14/485-495; 715/700, 703, 716, 727, 715/730, 771, 773, 778, 779, 780, 784, 785, 715/786, 787, 810, 821, 825, 828, 830, 833, 715/834, 835, 840, 847, 864, 973, 974
See application file for complete search history.

(56) **References Cited**

U.S. PATENT DOCUMENTS

| | | | |
|--------------|---------|----------------|---------|
| 4,747,093 A | 5/1988 | Benne et al. | |
| 5,526,341 A | 6/1996 | Shiba et al. | |
| 5,675,570 A | 10/1997 | Ohira et al. | |
| D396,455 S | 7/1998 | Bier | |
| D461,822 S * | 8/2002 | Okuley | D14/489 |
| D464,360 S | 10/2002 | Grundel et al. | |
| 6,549,219 B2 | 4/2003 | Selker | |
| D474,197 S | 5/2003 | Nguyen | |
| D492,695 S | 7/2004 | Suzuki et al. | |
| D493,177 S | 7/2004 | Retuta et al. | |
| D493,471 S | 7/2004 | McIntosh | |

| | | | |
|--------------|---------|--------------------|---------|
| D504,441 S | 4/2005 | Sapp et al. | |
| D505,135 S | 5/2005 | Sapp et al. | |
| 7,046,248 B1 | 5/2006 | Perttunen | |
| D544,495 S | 6/2007 | Evans et al. | |
| 7,281,214 B2 | 10/2007 | Fadell | |
| D554,660 S | 11/2007 | Hoover et al. | |
| D554,661 S | 11/2007 | Hoover et al. | |
| D589,521 S | 3/2009 | Napier et al. | |
| D591,305 S | 4/2009 | Shimoda | |
| 7,516,416 B2 | 4/2009 | Viswanathan et al. | |
| D592,674 S | 5/2009 | Kwag | |
| D593,126 S * | 5/2009 | Danton | D14/489 |
| D602,033 S * | 10/2009 | Vu et al. | D14/485 |
| D604,310 S | 11/2009 | Ahn | |
| D606,081 S | 12/2009 | Parker et al. | |
| D607,007 S | 12/2009 | Kocmick | |
| D614,192 S | 4/2010 | Takano et al. | |

(Continued)

Primary Examiner — Angela J Lee

(74) *Attorney, Agent, or Firm* — Banner & Witcoff, Ltd.

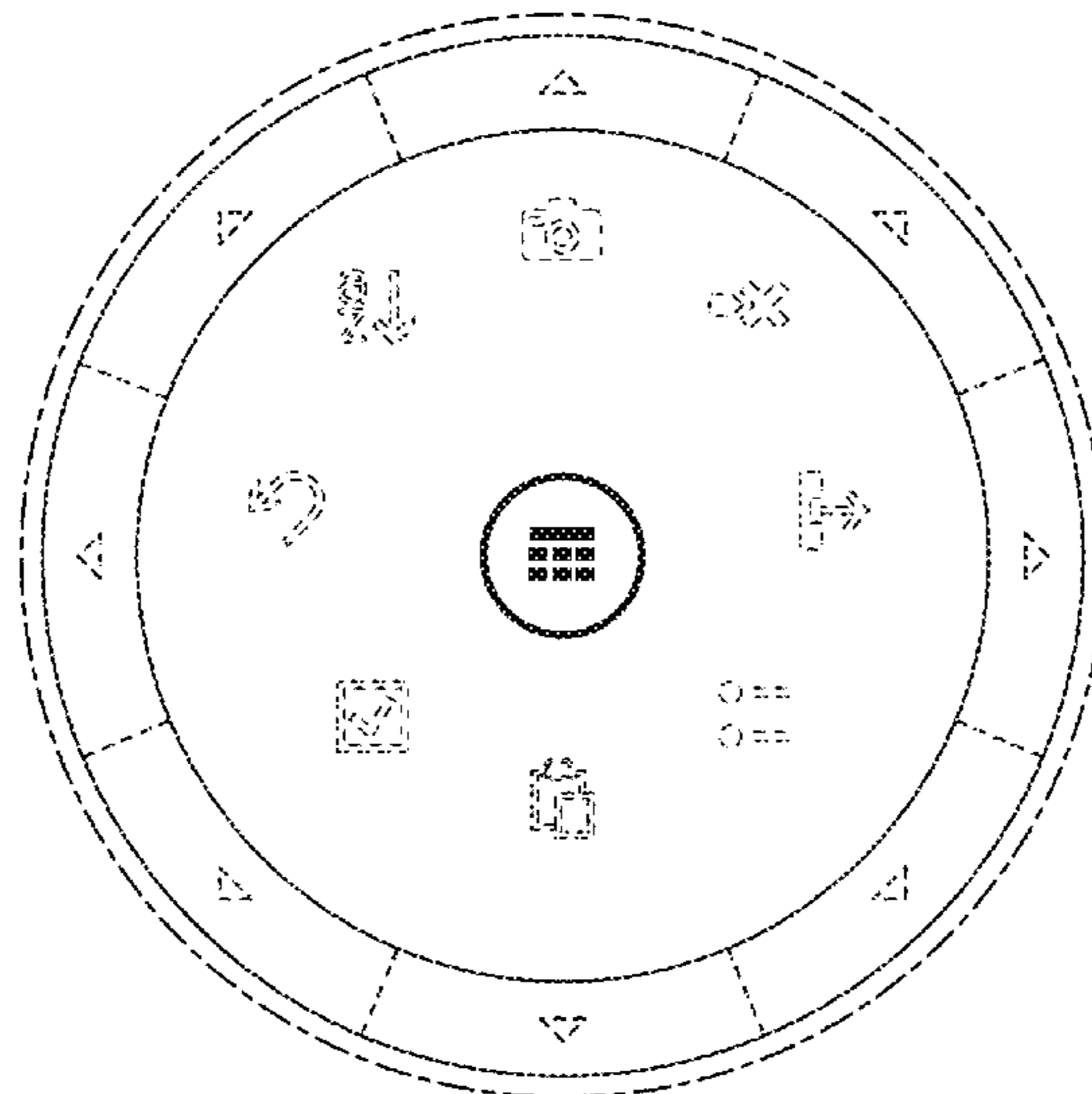
(57) **CLAIM**

The ornamental design for a display screen with graphical user interface, as shown and described.

DESCRIPTION

FIG. 1 is a front view of a display screen with graphical user interface showing our new design;
FIG. 2 is a front view of the display screen with graphical user interface of FIG. 1 shown with additional disclaimed environment;
FIG. 3 is a front view of a display screen with graphical user interface showing an alternative embodiment of our new design; and,
FIG. 4 is a front view of the display screen with graphical user interface of FIG. 3 shown with additional disclaimed environment.
The broken line showing of the remainder of the user interface and display screen is for environmental purposes only and forms no part of the claimed design.

1 Claim, 4 Drawing Sheets



(56)

References Cited

U.S. PATENT DOCUMENTS

| | | | | | | |
|------------|---------|--------------------|-------------------|--------|---------------------|---------|
| D619,593 S | 7/2010 | Fujioka et al. | D667,430 S * | 9/2012 | Ouilhet et al. | D14/489 |
| D619,614 S | 7/2010 | O'Mullan et al. | D678,902 S | 3/2013 | Evans | |
| D622,281 S | 8/2010 | Maitlen et al. | D681,669 S | 5/2013 | Phelan | |
| D625,319 S | 10/2010 | Allen et al. | D683,757 S * | 6/2013 | Phelan | D14/489 |
| D625,328 S | 10/2010 | Fitzmaurice et al. | D685,391 S | 7/2013 | Blissenbach et al. | |
| D627,360 S | 11/2010 | Aarseth | 2004/0141010 A1 | 7/2004 | Fitzmaurice et al. | |
| D635,987 S | 4/2011 | Mays et al. | 2005/0010955 A1 | 1/2005 | Elia et al. | |
| D635,988 S | 4/2011 | Mays et al. | 2007/0220442 A1 * | 9/2007 | Bohan et al. | 715/786 |
| D637,197 S | 5/2011 | Ray et al. | 2008/0126992 A1 | 5/2008 | Scheu et al. | |
| D644,243 S | 8/2011 | Matas | 2010/0088594 A1 | 4/2010 | Kim et al. | |
| D645,470 S | 9/2011 | Matas | 2011/0083100 A1 * | 4/2011 | Fyke et al. | 715/790 |
| D651,611 S | 1/2012 | Ouilhet et al. | 2013/0019174 A1 * | 1/2013 | Gil et al. | 715/711 |
| D651,613 S | 1/2012 | Ouilhet | 2013/0019175 A1 * | 1/2013 | Kotler et al. | 715/728 |
| D664,562 S | 7/2012 | McCain et al. | 2013/0019182 A1 * | 1/2013 | Gil et al. | 715/738 |
| D667,428 S | 9/2012 | Wujcik et al. | 2013/0019203 A1 * | 1/2013 | Kotler et al. | 715/811 |
| D667,429 S | 9/2012 | Wujcik et al. | 2013/0019205 A1 * | 1/2013 | Gil et al. | 715/834 |
| | | | 2013/0019206 A1 * | 1/2013 | Kotler et al. | 715/834 |
| | | | 2013/0019208 A1 * | 1/2013 | Kotler et al. | 715/835 |

* cited by examiner

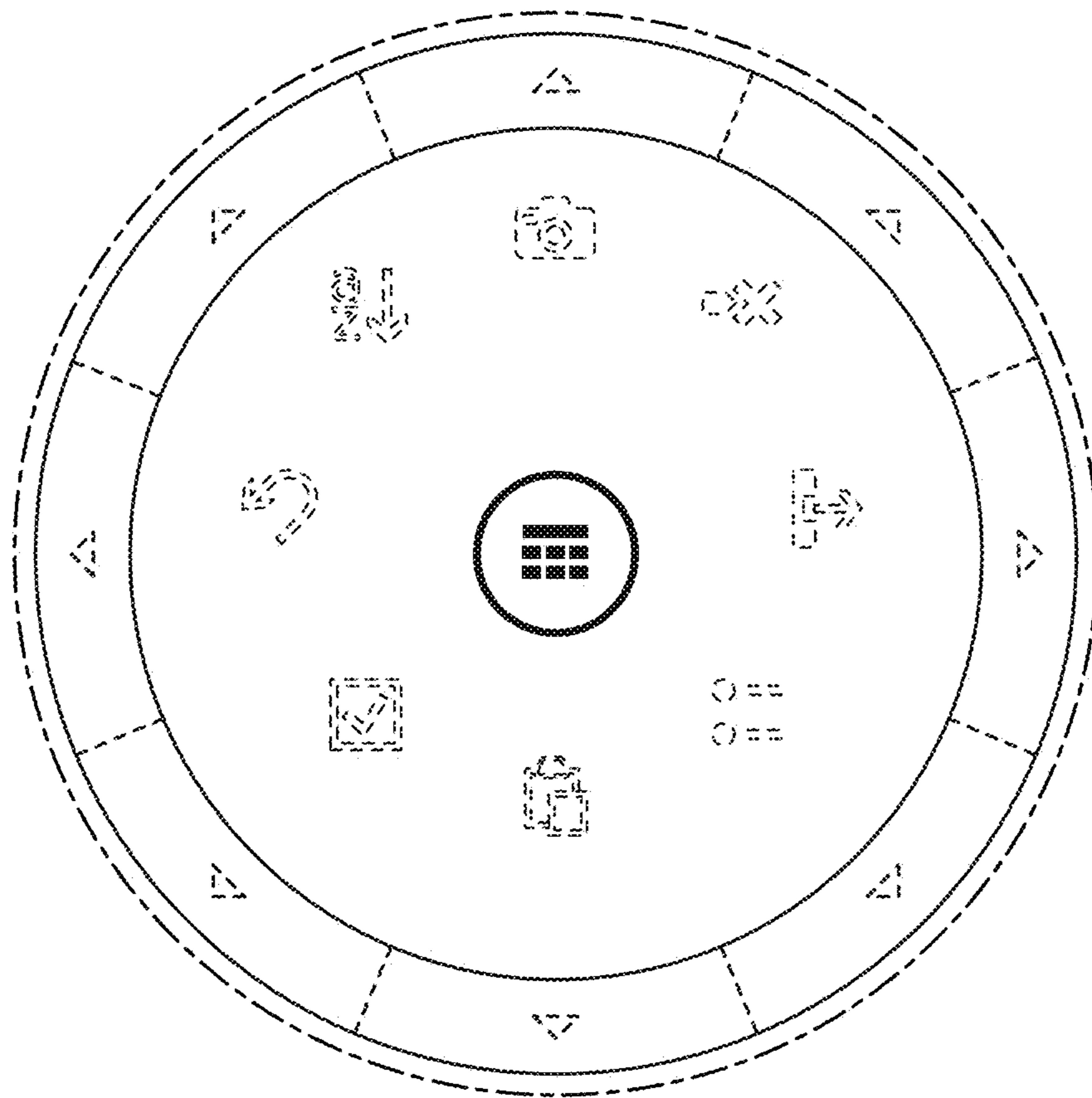


FIG. 1

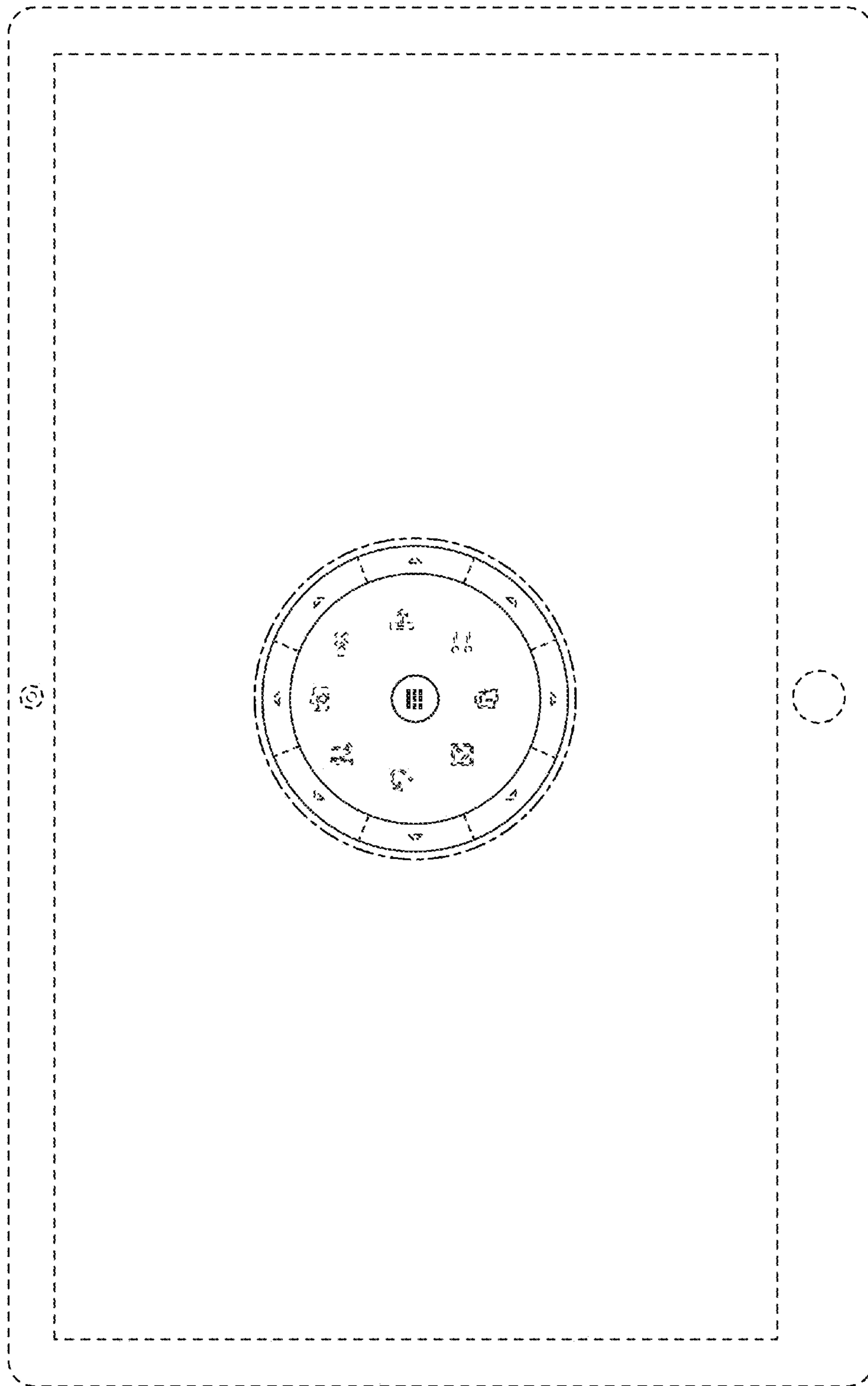


FIG. 2

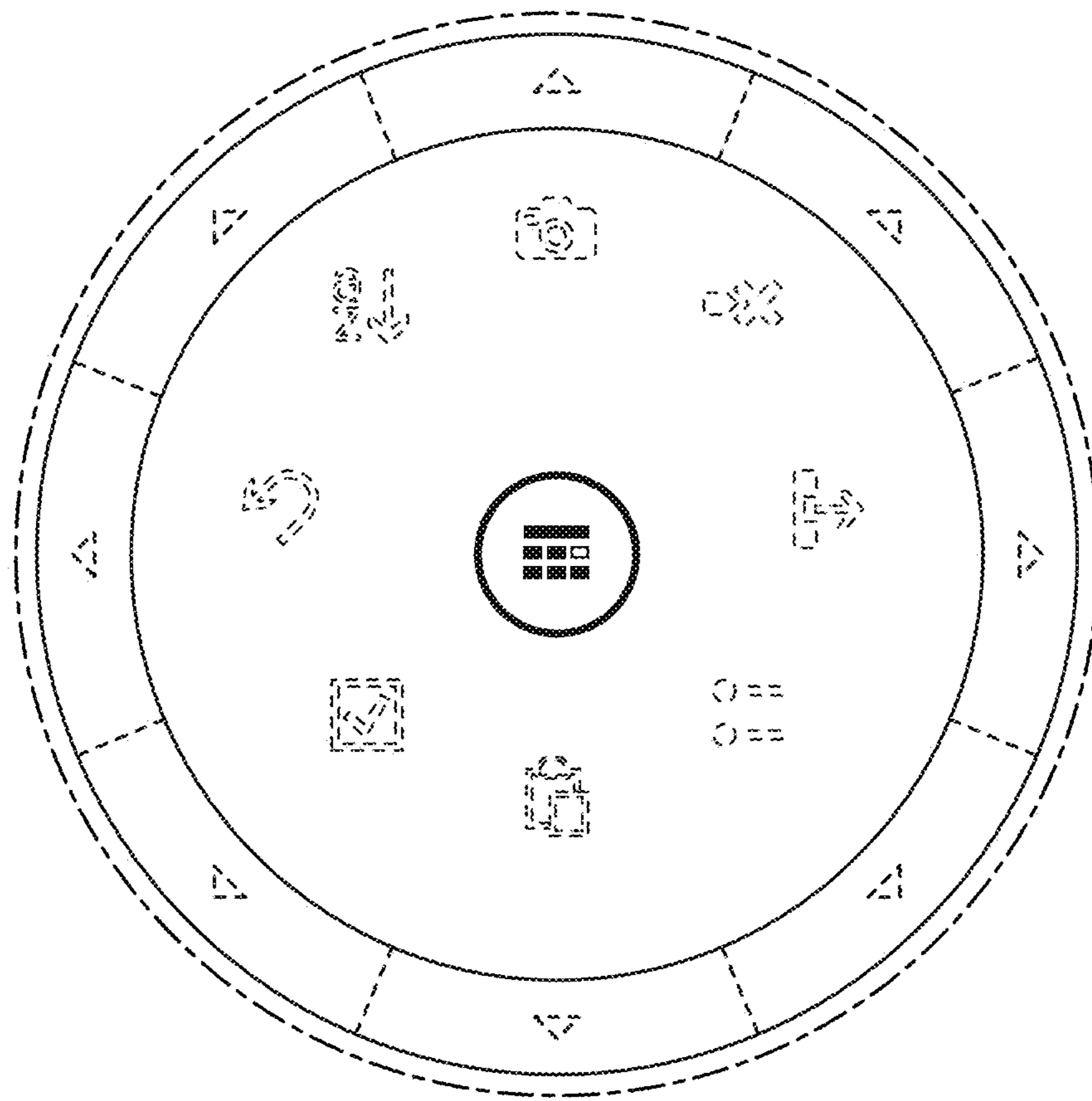


FIG. 3

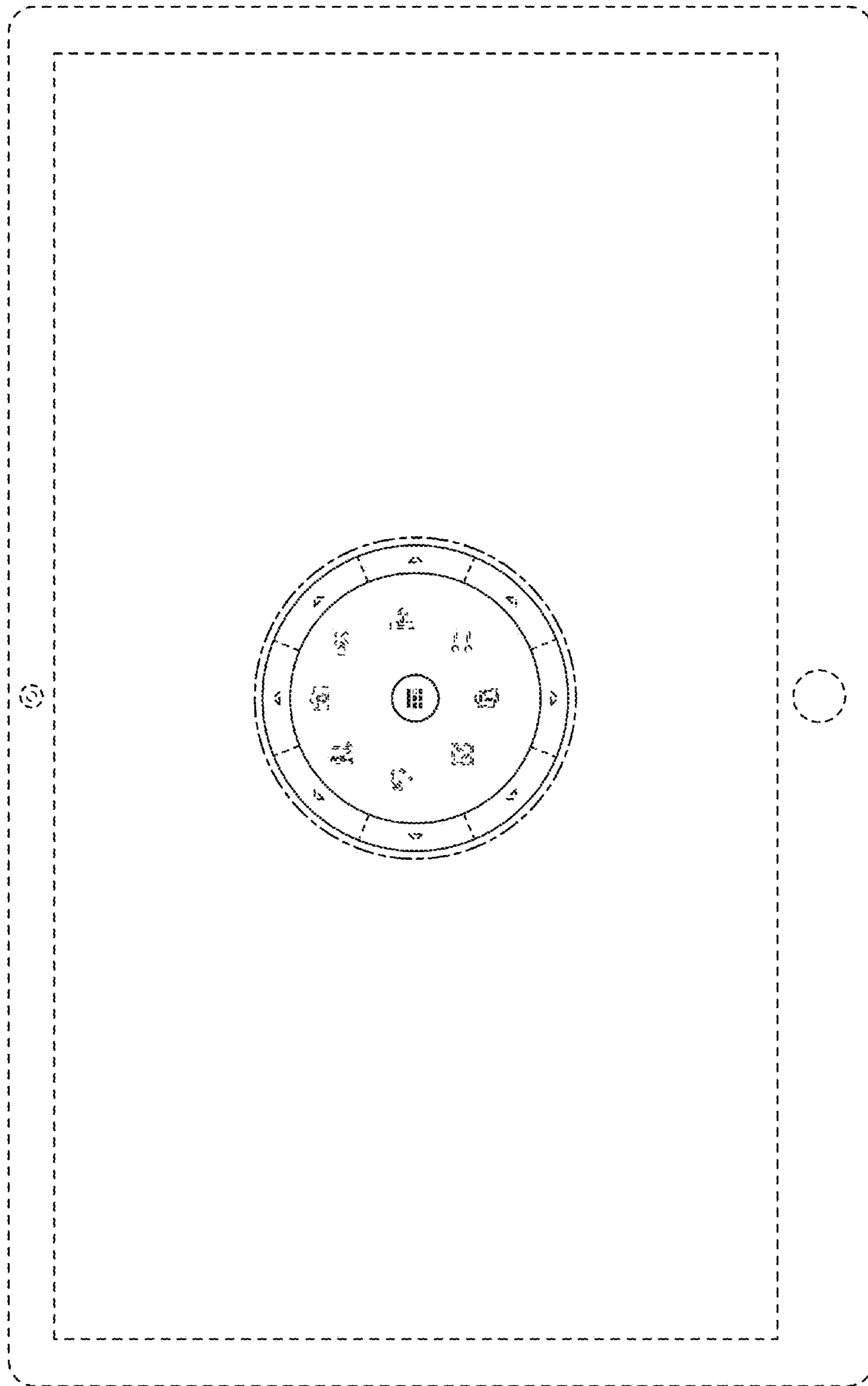


FIG. 4