



US00D702250S

(12) **United States Design Patent**  
**Kotler et al.**

(10) **Patent No.:** **US D702,250 S**  
(45) **Date of Patent:** **\*\* Apr. 8, 2014**

(54) **DISPLAY SCREEN WITH GRAPHICAL USER INTERFACE**

(71) Applicant: **Microsoft Corporation**, Redmond, WA (US)

(72) Inventors: **Matthew J. Kotler**, Sammamish, WA (US); **Erez Kikin Gil**, Redmond, WA (US)

(73) Assignee: **Microsoft Corporation**, Redmond, WA (US)

(\*\*) Term: **14 Years**

(21) Appl. No.: **29/446,788**

(22) Filed: **Feb. 27, 2013**

(51) **LOC (10) Cl.** ..... **14-04**

(52) **U.S. Cl.**  
USPC ..... **D14/487**

(58) **Field of Classification Search**  
USPC ..... D14/485-495; 715/700, 703, 716, 727, 715/730, 771, 773, 778, 779, 780, 784, 785, 715/786, 787, 810, 821, 825, 828, 830, 833, 715/834, 835, 840, 847, 864, 973, 974  
See application file for complete search history.

D493,177 S	7/2004	Retuta et al.	
D493,471 S	7/2004	McIntosh	
D504,441 S	4/2005	Sapp et al.	
D505,135 S	5/2005	Sapp et al.	
7,046,248 B1	5/2006	Perttunen	
D544,495 S	6/2007	Evans et al.	
D545,323 S	6/2007	Decombe	
D545,324 S	6/2007	Decombe	
7,281,214 B2	10/2007	Fadell	
D554,660 S	11/2007	Hoover et al.	
D554,661 S	11/2007	Hoover et al.	
D563,972 S	3/2008	Sherry	
D568,898 S	5/2008	Byeon	
D580,949 S	11/2008	Duarte	
D589,521 S	3/2009	Napier et al.	
D591,305 S	4/2009	Shimoda	
7,516,416 B2	4/2009	Viswanathan et al.	
D592,674 S	5/2009	Kwag	
D599,815 S *	9/2009	Ogura et al. ....	D14/490
D602,033 S *	10/2009	Vu et al. ....	D14/485
D604,310 S	11/2009	Ahn	
D606,081 S	12/2009	Parker et al.	
D607,007 S	12/2009	Kocmick	
D614,192 S	4/2010	Takano et al.	

(Continued)

*Primary Examiner* — Angela J Lee

(74) *Attorney, Agent, or Firm* — Banner & Witcoff, Ltd.

(57) **CLAIM**

The ornamental design for a display screen with graphical user interface, as shown and described.

**DESCRIPTION**

FIG. 1 is a front view of a display screen with graphical user interface showing our new design; and, FIG. 2 is a front view of the display screen with graphical user interface of FIG. 1 shown with additional disclaimed environment.

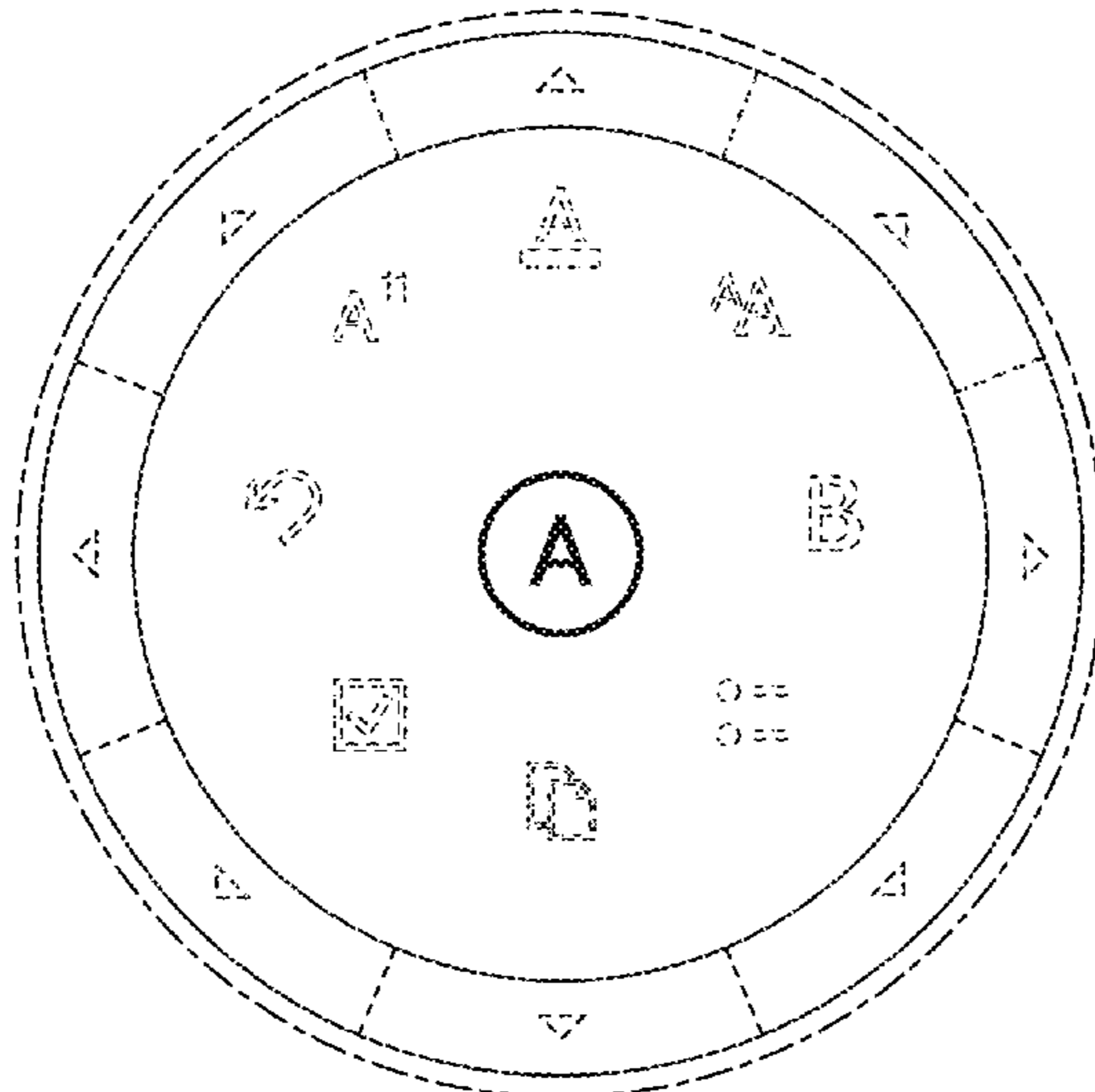
The broken line showing of the remainder of the user interface and display screen is for environmental purposes only and forms no part of the claimed design.

**1 Claim, 2 Drawing Sheets**

(56) **References Cited**

U.S. PATENT DOCUMENTS

4,747,093 A	5/1988	Benne et al.	
4,974,173 A *	11/1990	Stefik et al. ....	715/751
5,526,341 A	6/1996	Shiba et al.	
5,675,570 A	10/1997	Ohira et al.	
D396,455 S	7/1998	Bier	
D461,822 S *	8/2002	Okuley ....	D14/489
D464,360 S	10/2002	Grundel et al.	
6,549,219 B2	4/2003	Selker	
D474,197 S	5/2003	Nguyen	
D492,695 S	7/2004	Suzuki et al.	



(56)

**References Cited**

U.S. PATENT DOCUMENTS

D619,593 S 7/2010 Fujioka et al.  
 D619,614 S 7/2010 O'Mullan et al.  
 D622,281 S 8/2010 Maitlen et al.  
 D625,319 S 10/2010 Allen et al.  
 D625,328 S 10/2010 Fitzmaurice et al.  
 D627,360 S 11/2010 Aarseth  
 D628,590 S \* 12/2010 Vandeberghe et al. .... D14/492  
 D635,987 S 4/2011 Mays et al.  
 D635,988 S 4/2011 Mays et al.  
 D637,197 S 5/2011 Ray et al.  
 D644,243 S 8/2011 Matas  
 D645,470 S 9/2011 Matas  
 D651,611 S 1/2012 Ouilhet et al.  
 D651,613 S 1/2012 Ouilhet  
 D664,562 S 7/2012 McCain et al.  
 D667,428 S 9/2012 Wujcik et al.  
 D667,429 S 9/2012 Wujcik et al.

D667,430 S \* 9/2012 Ouilhet et al. .... D14/489  
 D678,323 S \* 3/2013 Yoshida et al. .... D14/493  
 D678,902 S 3/2013 Evans  
 D681,669 S 5/2013 Phelan  
 D685,391 S 7/2013 Blissenbach et al.  
 2004/0141010 A1 7/2004 Fitzmaurice et al.  
 2005/0010955 A1 1/2005 Elia et al.  
 2007/0220442 A1 \* 9/2007 Bohan et al. .... 715/786  
 2008/0126992 A1 5/2008 Scheu et al.  
 2010/0088594 A1 4/2010 Kim et al.  
 2011/0083100 A1 \* 4/2011 Fyke et al. .... 715/790  
 2013/0019174 A1 \* 1/2013 Gil et al. .... 715/711  
 2013/0019175 A1 \* 1/2013 Kotler et al. .... 715/728  
 2013/0019182 A1 \* 1/2013 Gil et al. .... 715/738  
 2013/0019203 A1 \* 1/2013 Kotler et al. .... 715/811  
 2013/0019205 A1 \* 1/2013 Gil et al. .... 715/834  
 2013/0019206 A1 \* 1/2013 Kotler et al. .... 715/834  
 2013/0019208 A1 \* 1/2013 Kotler et al. .... 715/835  
 2013/0212529 A1 \* 8/2013 Amarnath .... 715/810

\* cited by examiner

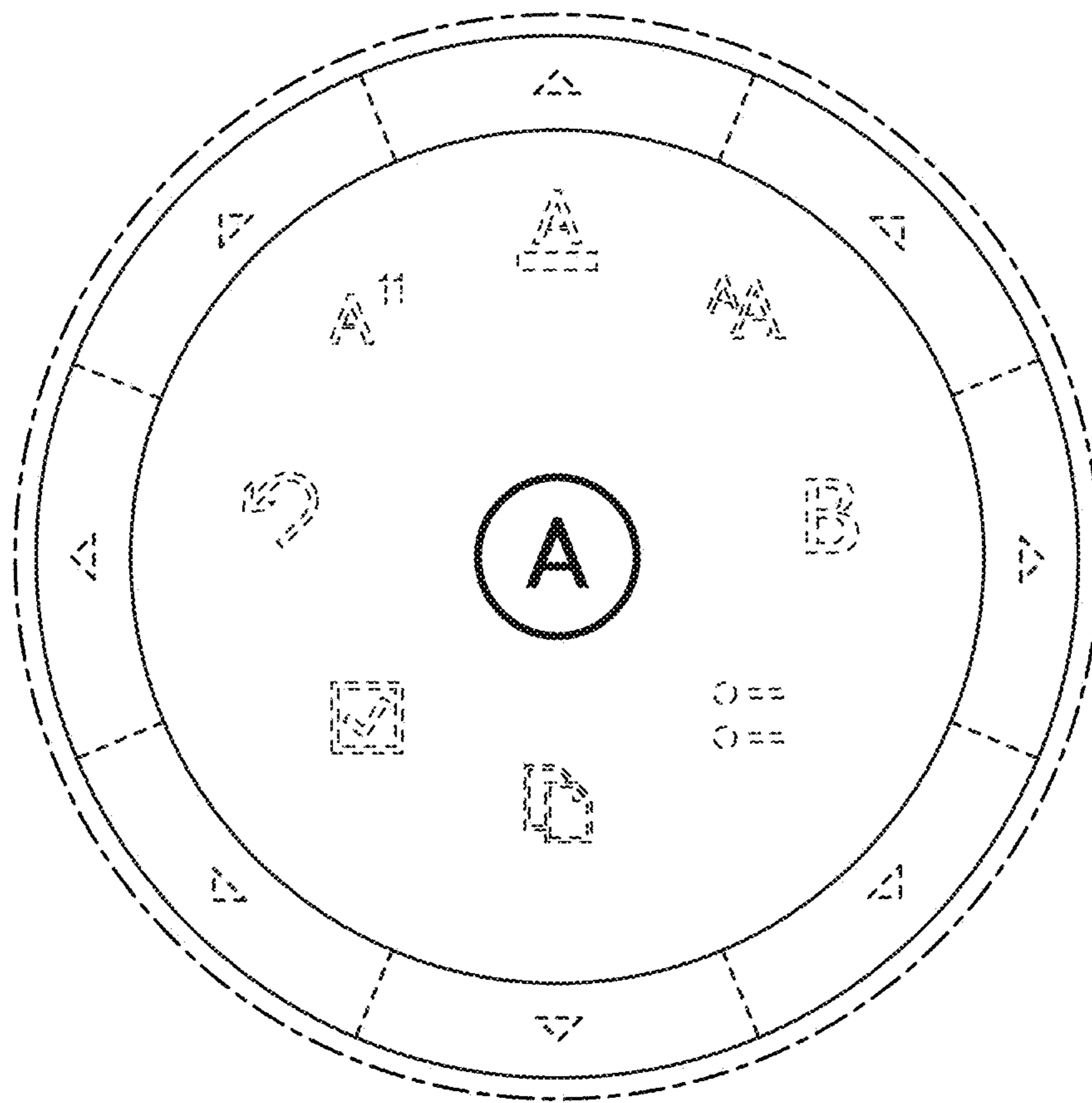


FIG. 1

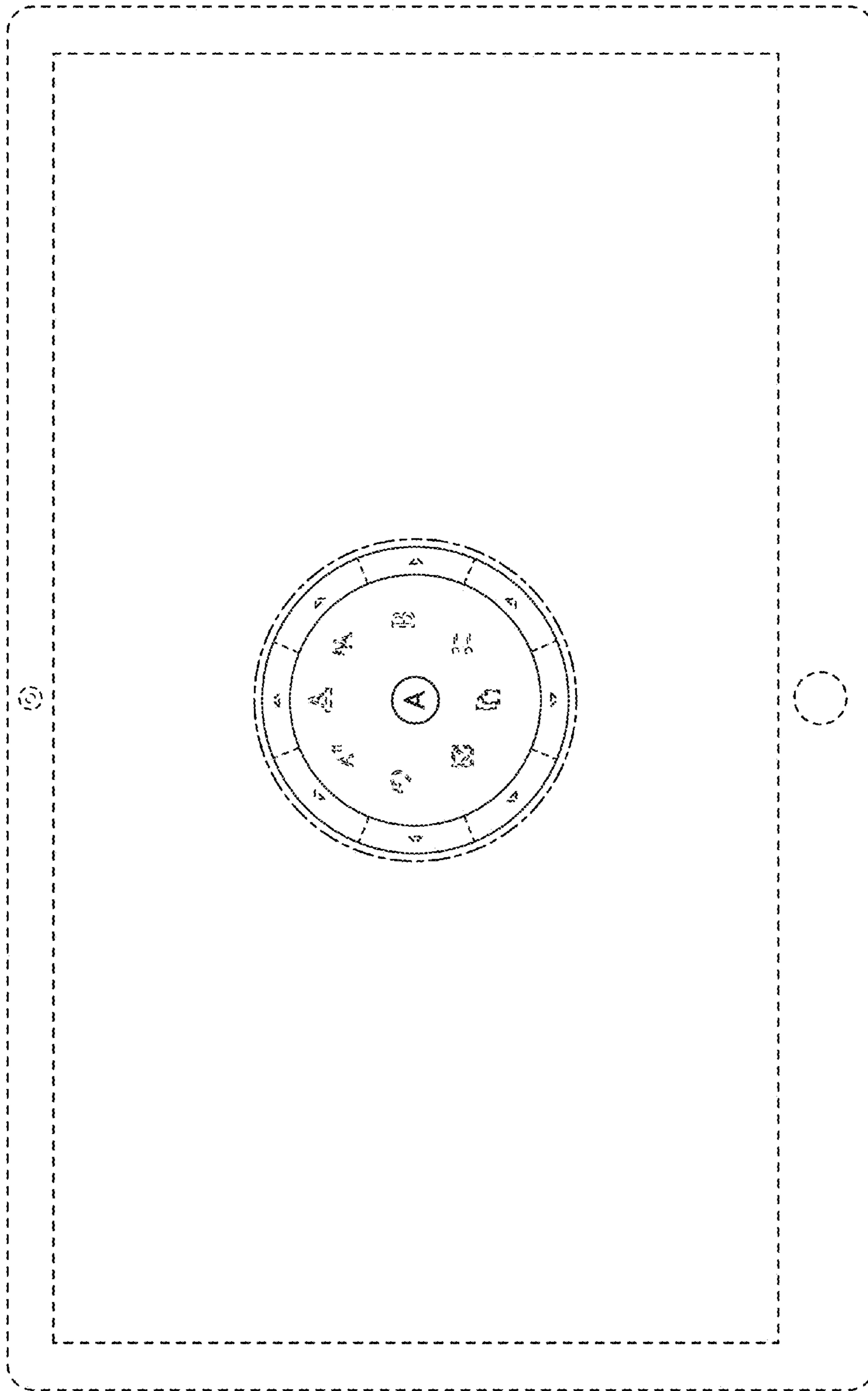


FIG. 2