



US00D702246S

(12) **United States Design Patent**  
**Hoffart et al.**

(10) **Patent No.:** **US D702,246 S**  
(45) **Date of Patent:** **\*\* Apr. 8, 2014**

(54) **PORTABLE STORAGE DEVICE**

(71) Applicant: **FXI Technologies AS**, Trondheim (NO)

(72) Inventors: **Ingvill Hoffart**, Trondheim (NO); **Carl André Nørstebø**, Trondheim (NO)

(73) Assignee: **FXI Technologies AS**, Trondheim (NO)

(\*\*) Term: **14 Years**

(21) Appl. No.: **29/446,383**

(22) Filed: **Feb. 22, 2013**

(30) **Foreign Application Priority Data**

Feb. 20, 2013 (EM) ..... 001361562

(51) **LOC (10) Cl.** ..... **14-02**

(52) **U.S. Cl.**  
USPC ..... **D14/480.1**

(58) **Field of Classification Search**  
CPC . H05K 5/0278; H01R 24/62; G06K 19/07732  
USPC ..... D14/411, 433, 435.1, 436, 480.1–480.7,  
D14/484.1, 137, 155, 203.1–203.8, 240;  
D13/133, 154; 710/300–301; 439/131,  
439/135–147

See application file for complete search history.

(56) **References Cited**

**U.S. PATENT DOCUMENTS**

D445,422 S \* 7/2001 Hsin ..... D14/385  
D491,143 S \* 6/2004 Jiang ..... D14/435.1  
D520,457 S \* 5/2006 Wada et al. .... D13/156  
D524,817 S \* 7/2006 Conley et al. .... D14/480.5  
D527,734 S \* 9/2006 Lee et al. .... D14/480.5  
D531,118 S \* 10/2006 Krieger et al. .... D14/435.1

D609,712 S \* 2/2010 Bedol ..... D14/480.5  
7,855,892 B2 \* 12/2010 Lin ..... 361/730  
D655,708 S \* 3/2012 Frank ..... D14/435.1

**OTHER PUBLICATIONS**

Lexar Flash Drives|Lexar JumpDrive|FireFly|Lightning|Secure—Buy & Blog, [online], [retrieved on May 17, 2010]. Retrieved from the Internet <URL: <http://www.usbmemorysticks.net/lexar-flash-drives>>.\*

Archos G9 Android Tablets to Embrace Ice Cream Sandwich in Early 2012>> Android TidBits, [online] Dec. 8, 2011 [retrieved on Dec. 13, 2011]. Retrieved from the Internet <URL: <http://androidtidbits.com/archos-g9-android-tablets-ice-cream-sandwich>>.\*

Cotton Candy hands-on preview: A sweet computer on a stick | PCWorld, [online] Dec. 17, 2012 [retrieved on Jan. 6, 2014]. Retrieved from the Internet <URL: <http://www.pcworld.com/article/2020549/cotton-candy-hands-on-preview-a-sweet-computer-on-a-stick.html>>.\*

\* cited by examiner

*Primary Examiner* — Karen E Kearney

(74) *Attorney, Agent, or Firm* — Greenberg Traurig LLP

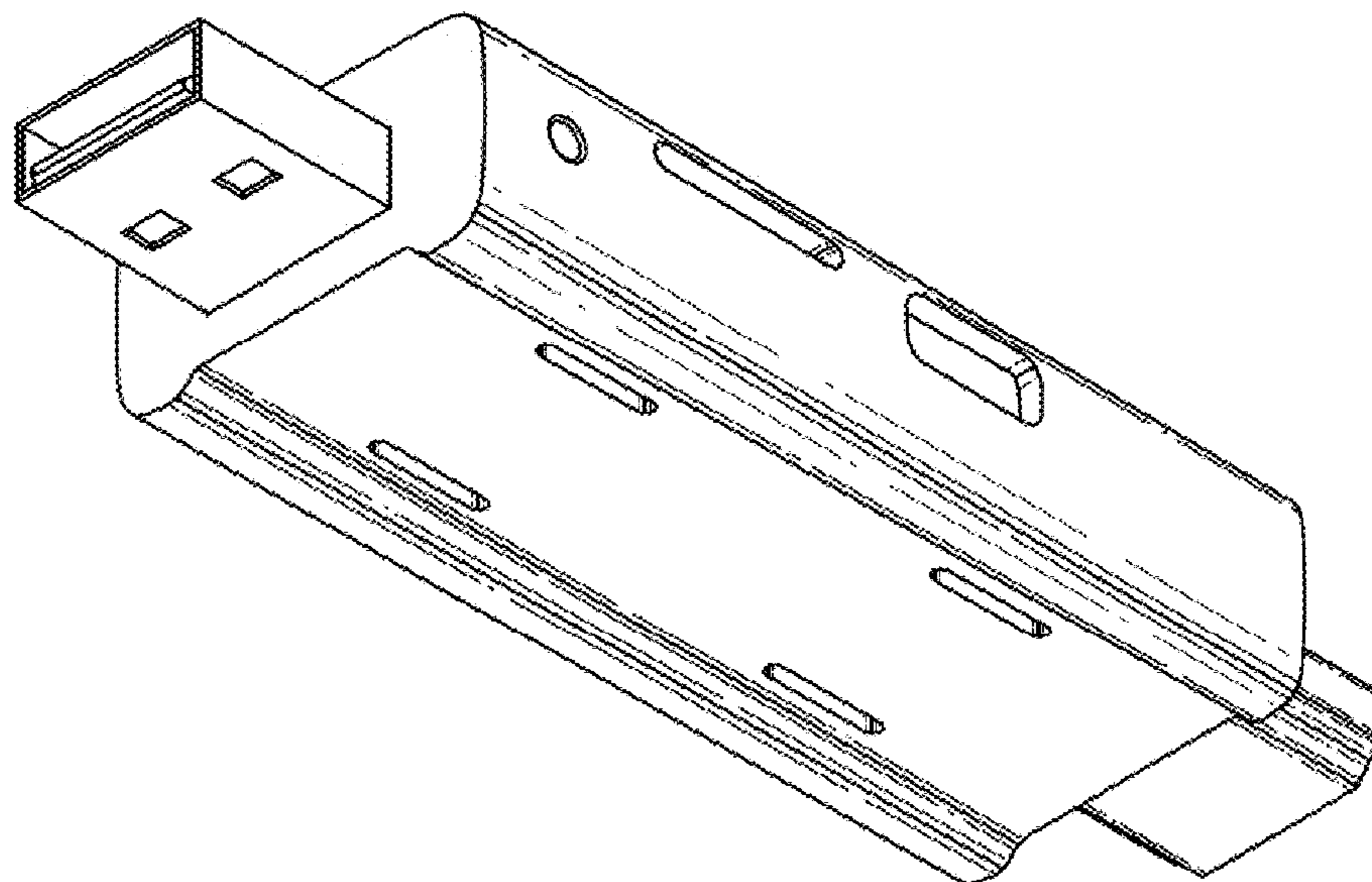
(57) **CLAIM**

We claim the ornamental design for a portable storage device, as shown and described.

**DESCRIPTION**

FIG. 1 is a perspective view of a portable storage device; FIG. 2 is a bottom perspective view thereof; FIG. 3 is a rear view thereof; FIG. 4 is a top view thereof; FIG. 5 is a left-side view thereof; FIG. 6 is a front view thereof; FIG. 7 is a right-side view thereof; and, FIG. 8 is a bottom view thereof.

**1 Claim, 1 Drawing Sheet**



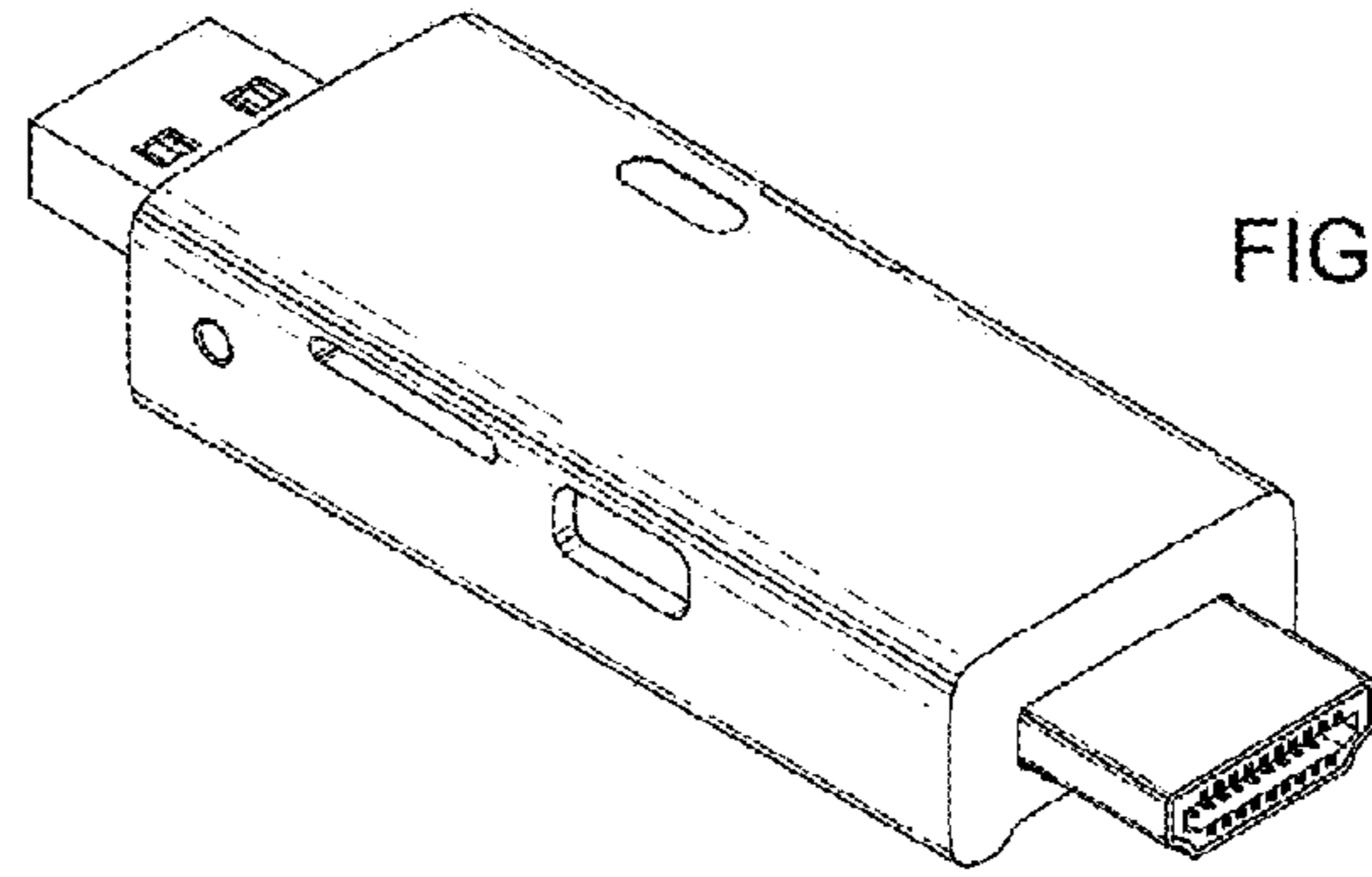


FIG. 1

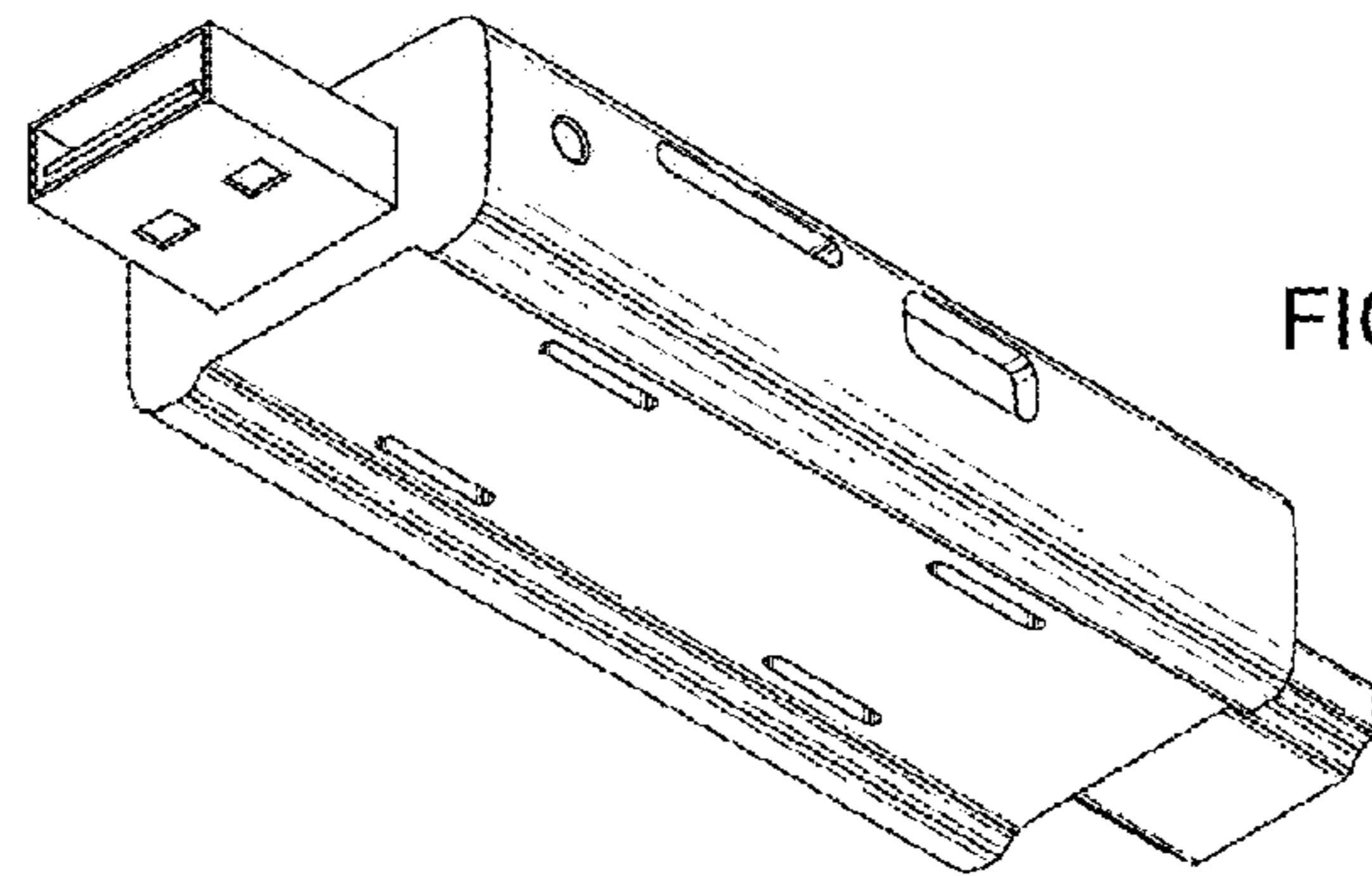


FIG. 2

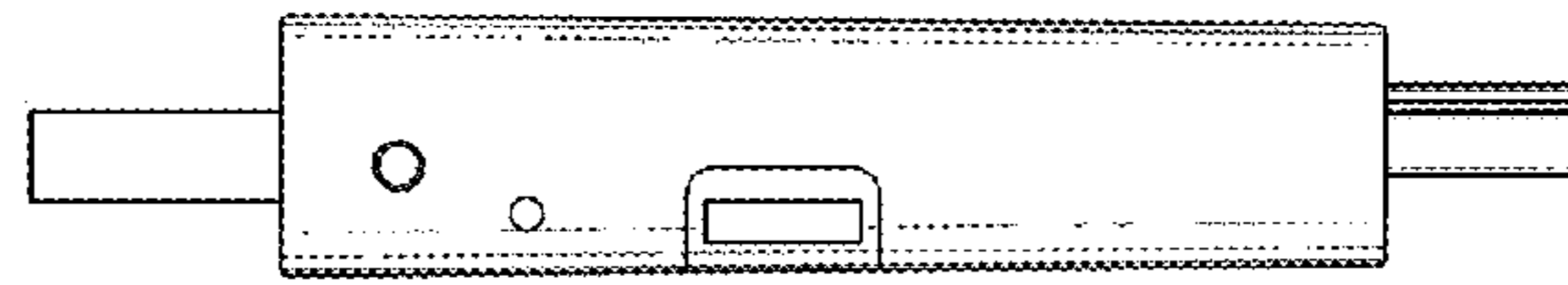


FIG. 3

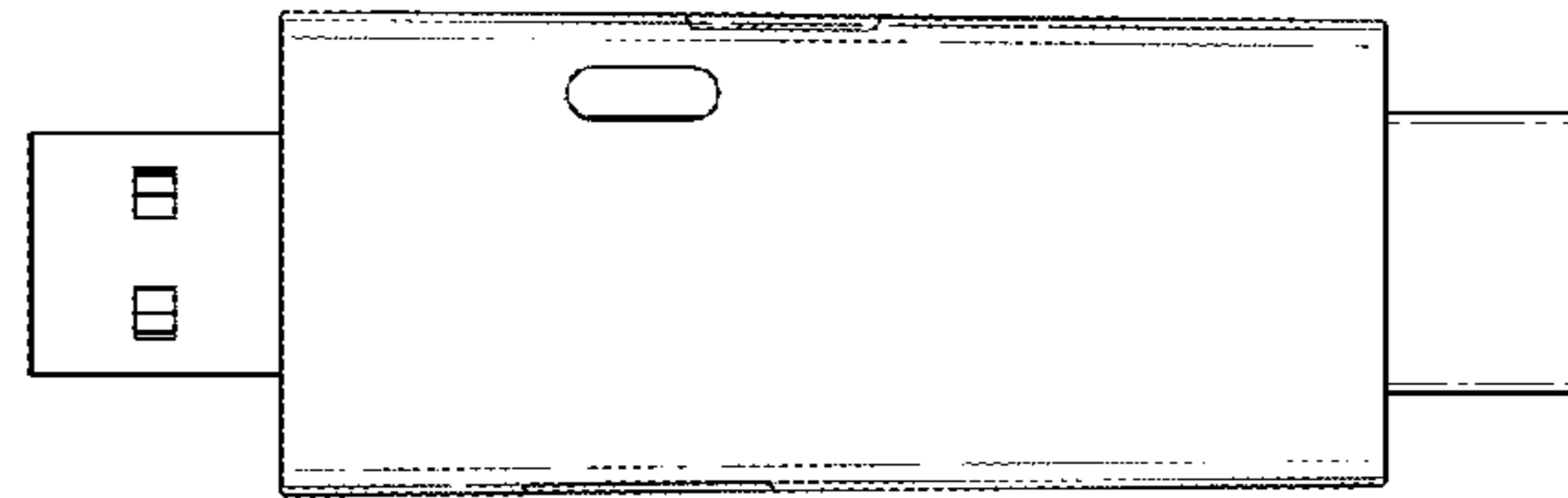


FIG. 4

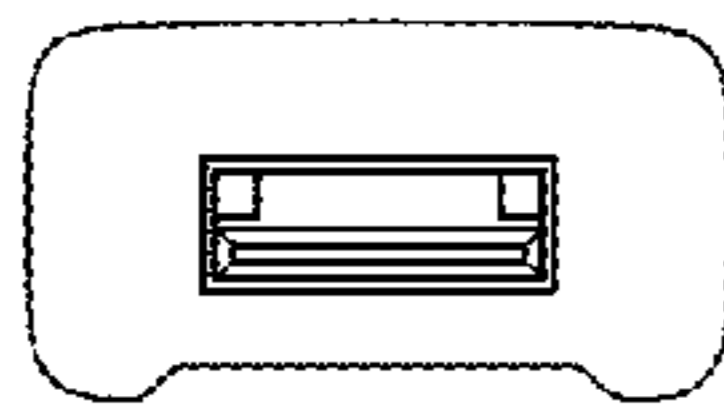


FIG. 5

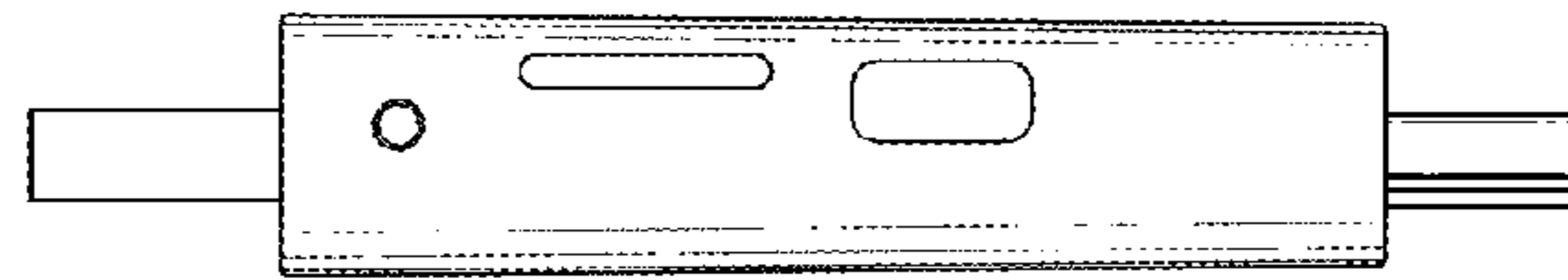


FIG. 6

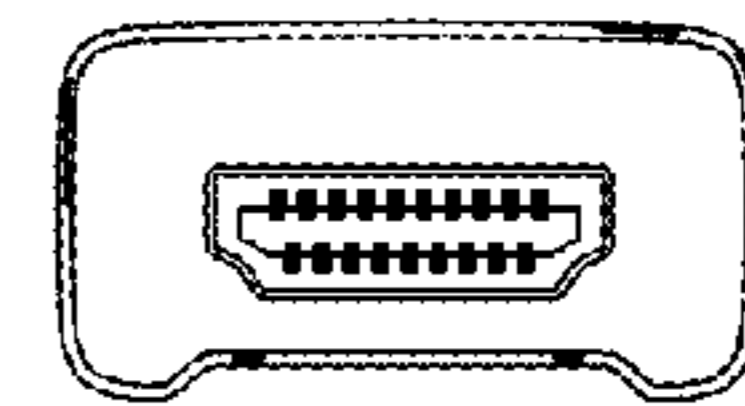


FIG. 7

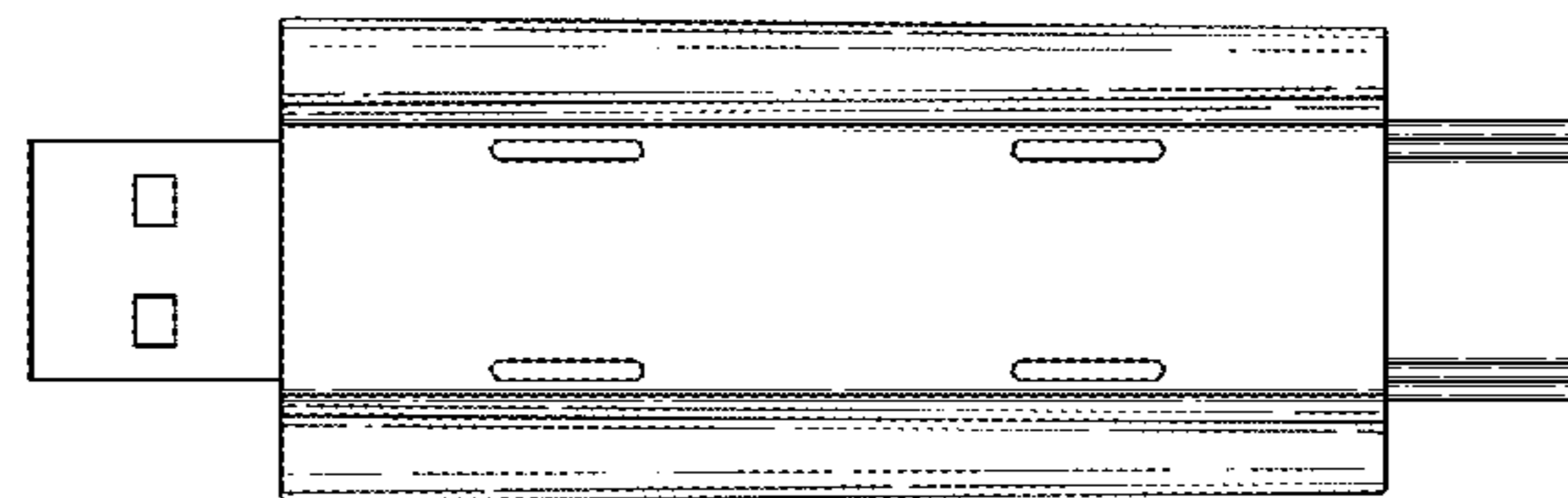


FIG. 8