



US00D702244S

(12) **United States Design Patent**
Seo et al.

(10) **Patent No.:** **US D702,244 S**
(45) **Date of Patent:** **** Apr. 8, 2014**

(54) **STAND FOR MONITOR**

(75) Inventors: **Young-Jin Seo**, Seoul (KR);
Koung-Won Park, Seoul (KR)

(73) Assignee: **Samsung Electronics Co., Ltd.**,
Suwon-si (KR)

(**) Term: **14 Years**

(21) Appl. No.: **29/429,089**

(22) Filed: **Aug. 7, 2012**

(30) **Foreign Application Priority Data**

May 24, 2012 (KR) 30-2012-0025677

(51) **LOC (10) Cl.** **08-07**

(52) **U.S. Cl.**
USPC **D14/451**

(58) **Field of Classification Search**
USPC D14/211, 238, 251, 253, 371-382,
D14/125-129, 336, 337, 447, 448, 451, 452,
D14/492, 450, 239; 341/12; 345/104, 156,
345/168, 173; 348/180, 184, 325, 739;
349/1, 2, 11, 62; 361/679.05-679.07,
361/679.21; D6/300, 310-313, 308, 708
See application file for complete search history.

(56) **References Cited**

U.S. PATENT DOCUMENTS

D128,959 S * 8/1941 Dreyfuss D20/32
D354,750 S * 1/1995 Lewis D14/216
D400,736 S * 11/1998 Churchville et al. D6/467

D495,370 S * 8/2004 Loerop et al. D20/10
D515,730 S * 2/2006 Weiss et al. D27/123
D541,085 S * 4/2007 Marsilio D6/495
D542,296 S * 5/2007 Bockheim et al. D14/451
D588,576 S * 3/2009 Son et al. D14/211
D588,602 S * 3/2009 Chao et al. D14/451
D598,459 S * 8/2009 Gillespie D14/451
D615,962 S * 5/2010 Lee et al. D14/188
D617,801 S * 6/2010 Chang et al. D14/451
D625,302 S * 10/2010 Kasuga et al. D14/239
D630,223 S * 1/2011 Shih D14/451
D638,022 S * 5/2011 Kasuga et al. D14/451
D644,223 S * 8/2011 Maupin D14/371
D681,647 S * 5/2013 Choi D14/451
D688,672 S * 8/2013 Seo et al. D14/451

* cited by examiner

Primary Examiner — Deanna L Pratt

Assistant Examiner — Katie Mroczka

(74) *Attorney, Agent, or Firm* — Jefferson IP Law, LLP

(57) **CLAIM**

The ornamental design for stand for monitor, as shown and described.

DESCRIPTION

FIG. 1 is a perspective view of stand for monitor, showing a new design;

FIG. 2 is a front elevational view thereof;

FIG. 3 is a rear elevational view thereof;

FIG. 4 is a left side elevational view thereof;

FIG. 5 is a right side elevational view thereof;

FIG. 6 is a top plan view thereof; and,

FIG. 7 is a bottom plan view thereof.

1 Claim, 7 Drawing Sheets

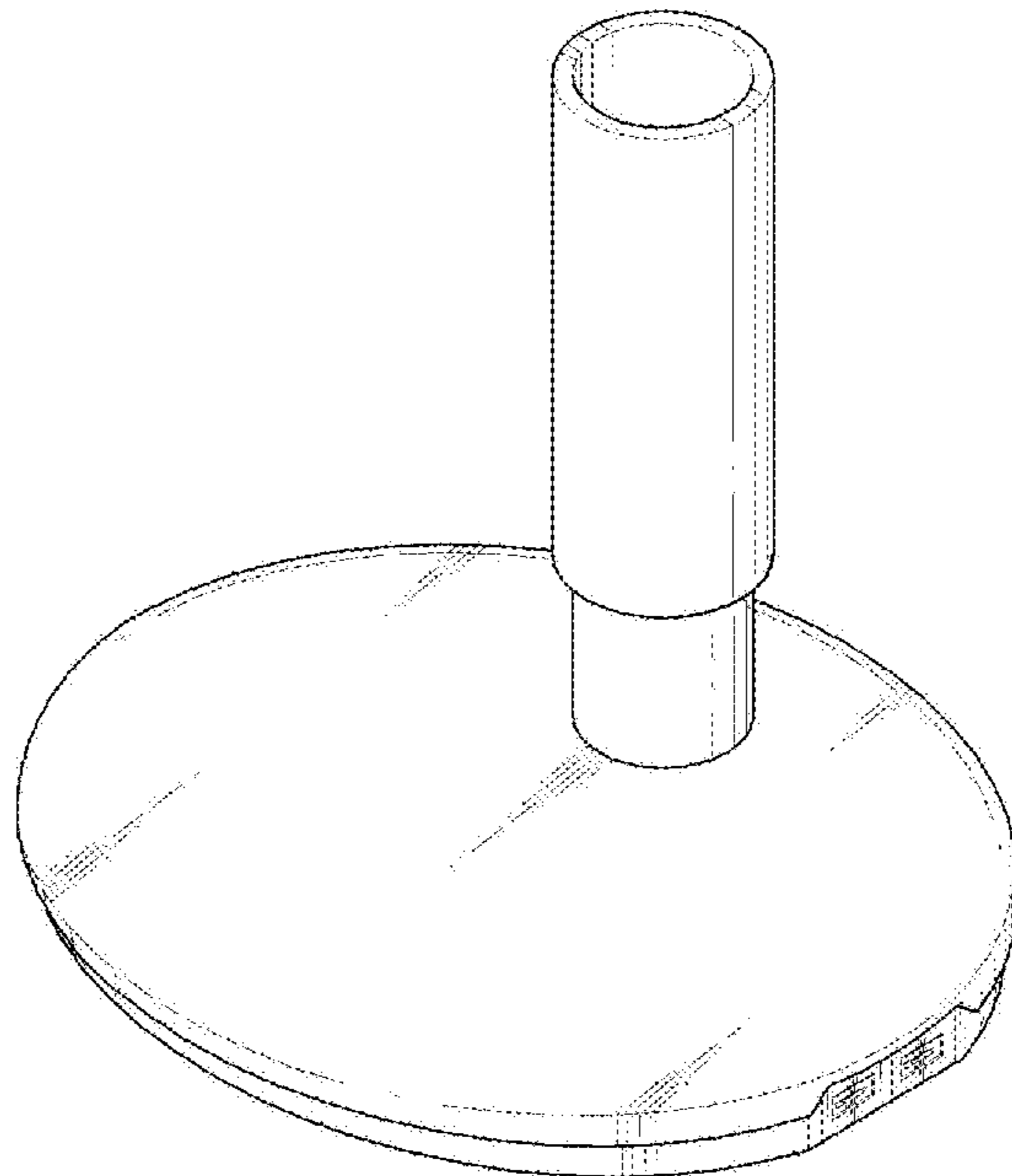


FIG. 1

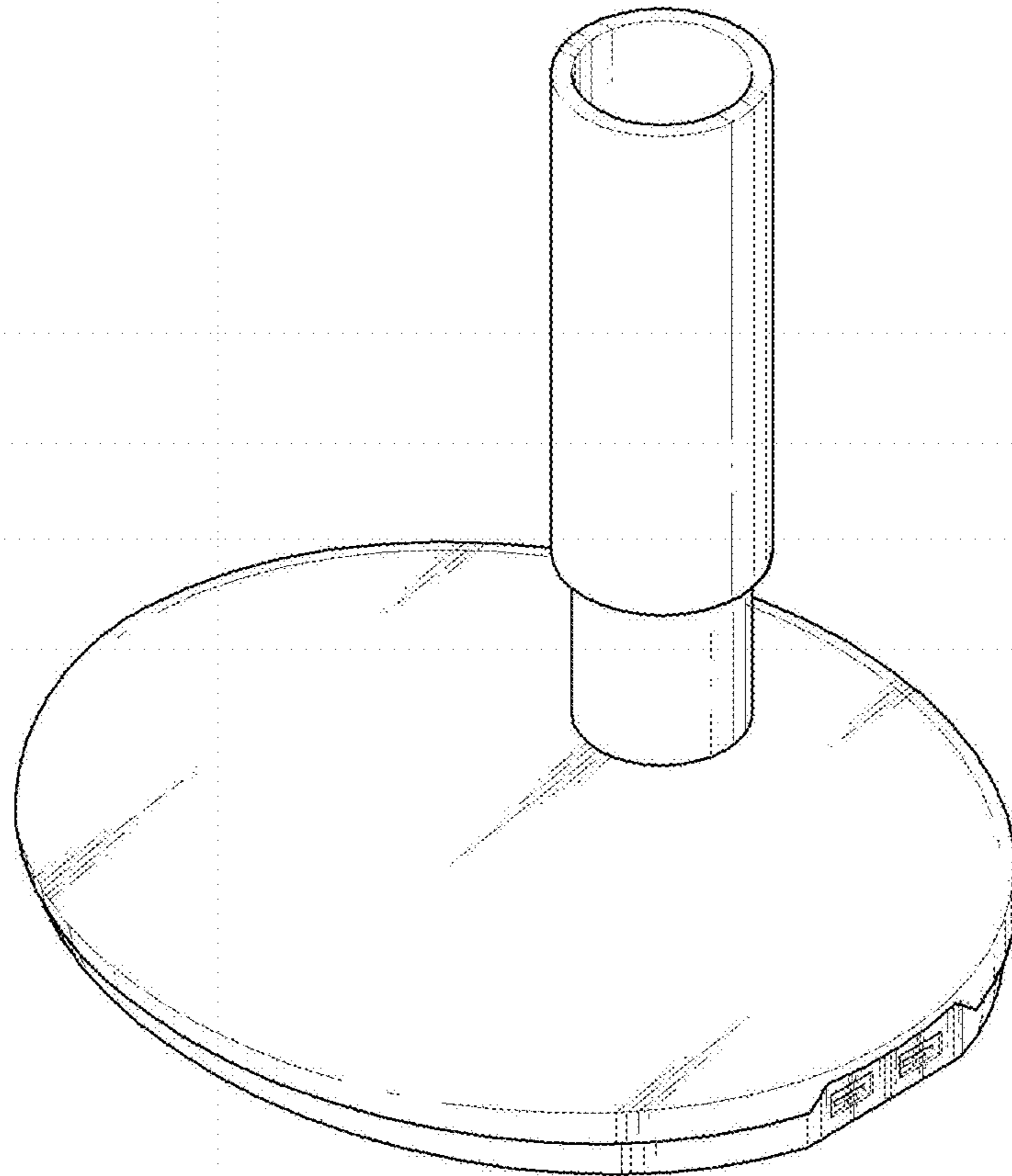


FIG. 2

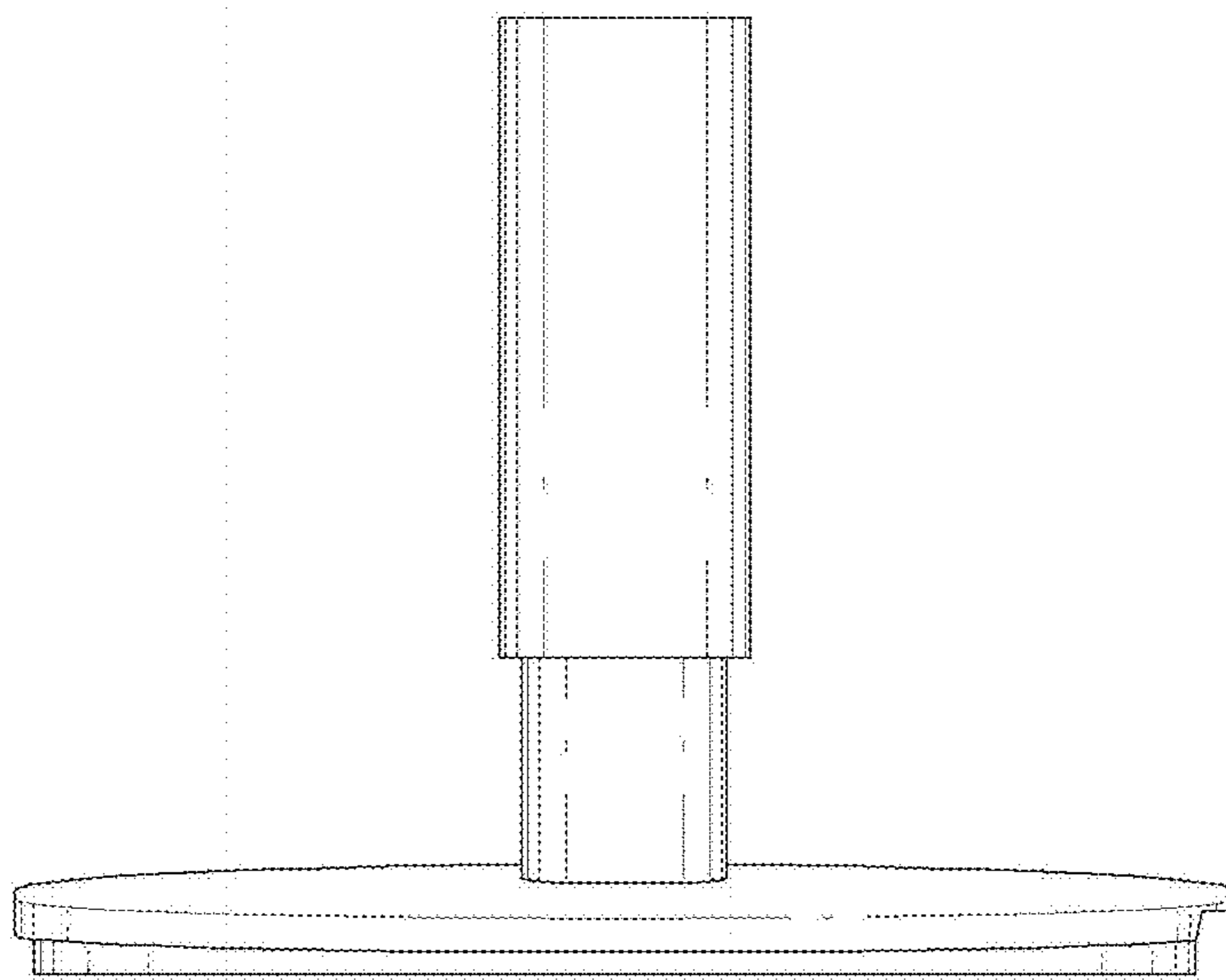


FIG. 3

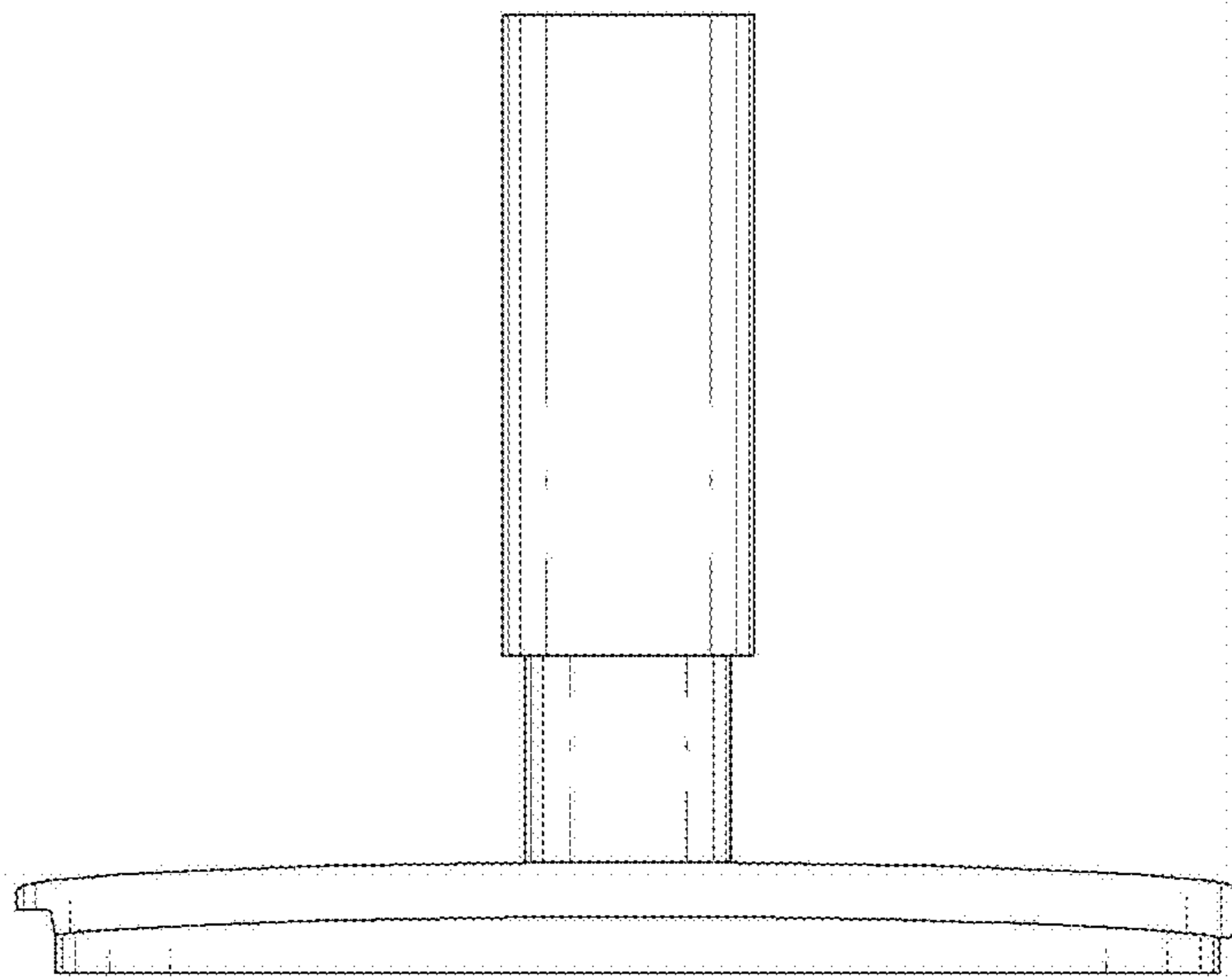


FIG. 4

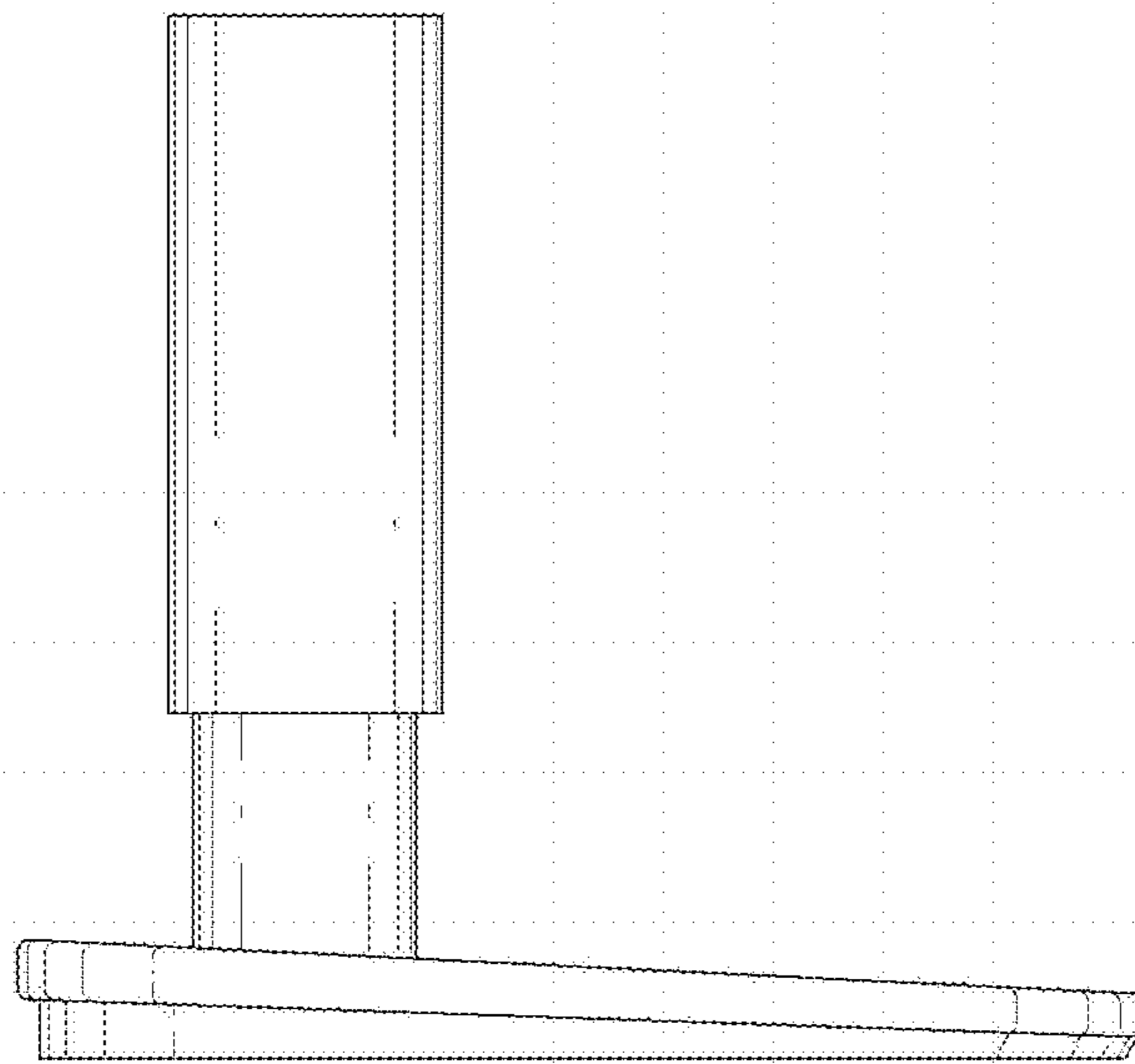


FIG. 5

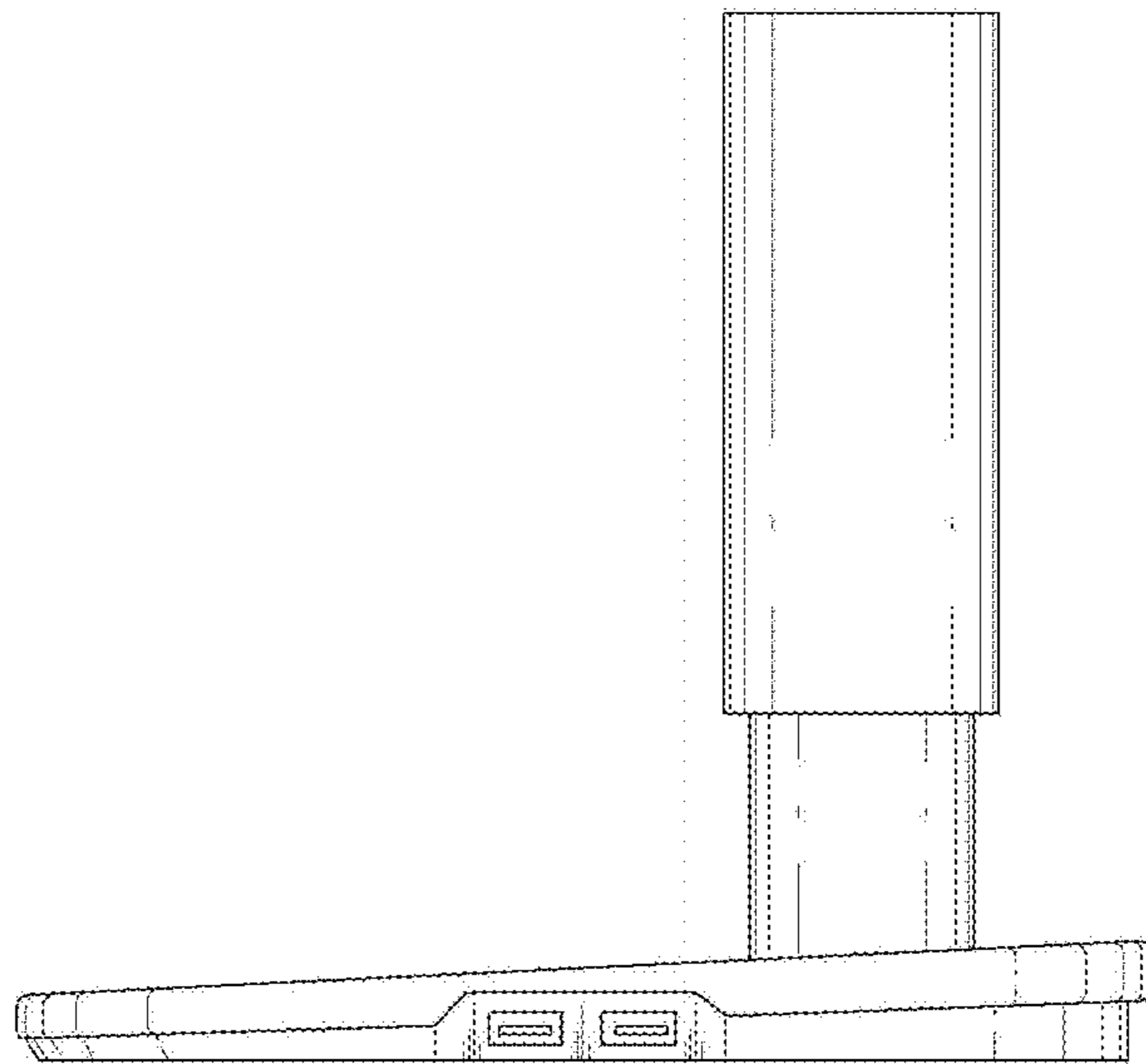


FIG. 6

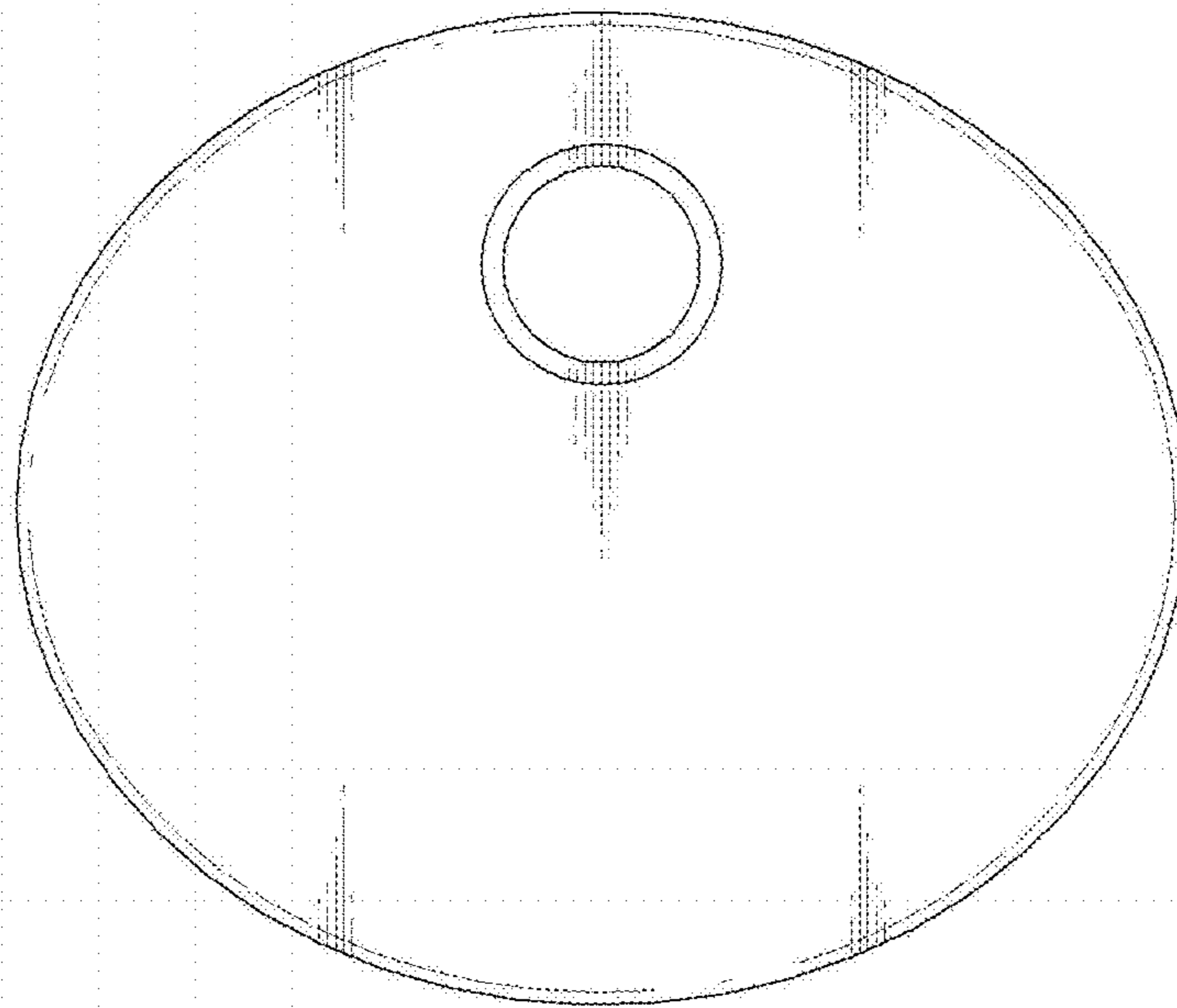


FIG. 7

