



US00D702243S

(12) **United States Design Patent**
Oh et al.

(10) **Patent No.:** **US D702,243 S**

(45) **Date of Patent:** **** Apr. 8, 2014**

(54) **STAND FOR PC**

(71) Applicant: **Samsung Electronics Co., Ltd.**,
Suwon-si (KR)

(72) Inventors: **Se-Hun Oh**, Seoul (KR); **Ho-Young Seoc**, Yongin-si (KR)

(73) Assignee: **Samsung Electronics Co., Ltd.** (KR)

(**) Term: **14 Years**

(21) Appl. No.: **29/459,800**

(22) Filed: **Jul. 3, 2013**

(51) **LOC (10) Cl.** **08-07**

(52) **U.S. Cl.**
USPC **D14/447**

(58) **Field of Classification Search**
USPC D14/447, 432, 434, 439, 448, 451, 452,
D14/457, 239, 250, 251, 253, 238.1, 440,
D14/205, 223, 224, 224.1, 229; D13/108;
D6/406.1, 406.2, 406.3, 406.4, 406.5,
D6/406.6, 601; 248/917-924, 363, 445,
248/447, 451, 455, 456, 460, 371, 166, 434,
248/188.6; 361/726, 679.02, 679.09,
361/679.21, 679.22, 679.26, 679.27,
361/679.29, 679.3, 679.55, 679.56;
D21/333

See application file for complete search history.

(56) **References Cited**

U.S. PATENT DOCUMENTS

D595,722 S * 7/2009 Miyawaki D14/447
D631,008 S * 1/2011 Kuroda et al. D13/108

D642,123 S * 7/2011 Joung D13/108
D658,167 S * 4/2012 Buessler et al. D14/251
D671,543 S * 11/2012 Sogabe D14/447
D671,949 S * 12/2012 Jeon et al. D14/447
D672,355 S * 12/2012 Lee et al. D14/447
D672,357 S * 12/2012 Allen D14/447
D676,450 S * 2/2013 Lye D14/447
D681,040 S * 4/2013 Rossiter et al. D14/434
D682,840 S * 5/2013 Tsai et al. D14/447
D685,322 S * 7/2013 Szymanski et al. D13/108
D685,381 S * 7/2013 Symons D14/447

* cited by examiner

Primary Examiner — Angela J Lee

(74) *Attorney, Agent, or Firm* — Cantor Colburn LLP

(57) **CLAIM**

We claim, the ornamental design for a stand for PC, as shown and described.

DESCRIPTION

FIG. 1 is a front perspective view of a stand for PC showing our new design;
FIG. 2 is a front view of thereof;
FIG. 3 is a rear view of thereof;
FIG. 4 is a left side view of thereof;
FIG. 5 is a right side view of thereof;
FIG. 6 is a top plan view of thereof;
FIG. 7 is a bottom plan view of thereof; and,
FIG. 8 is an additional front perspective view showing the stand fitted with a PC.

The broken lines illustrating portions of the stand for PC are for environmental purpose only and form no part of the claimed design.

1 Claim, 8 Drawing Sheets

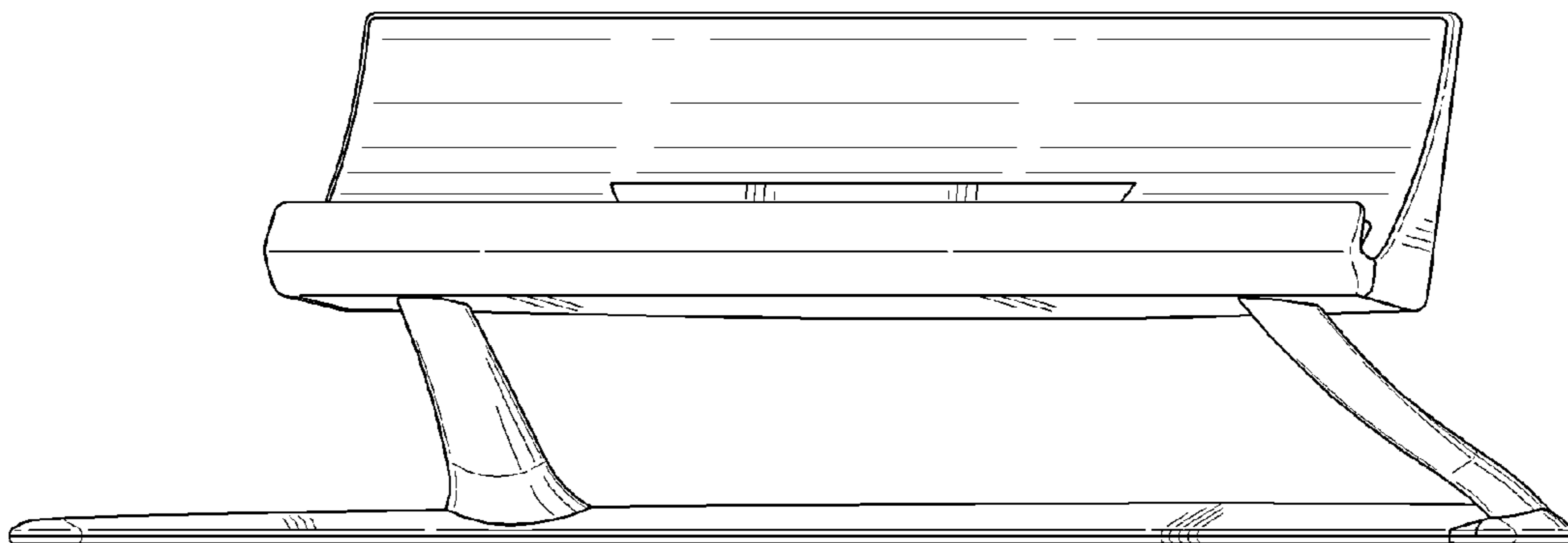


FIG. 1

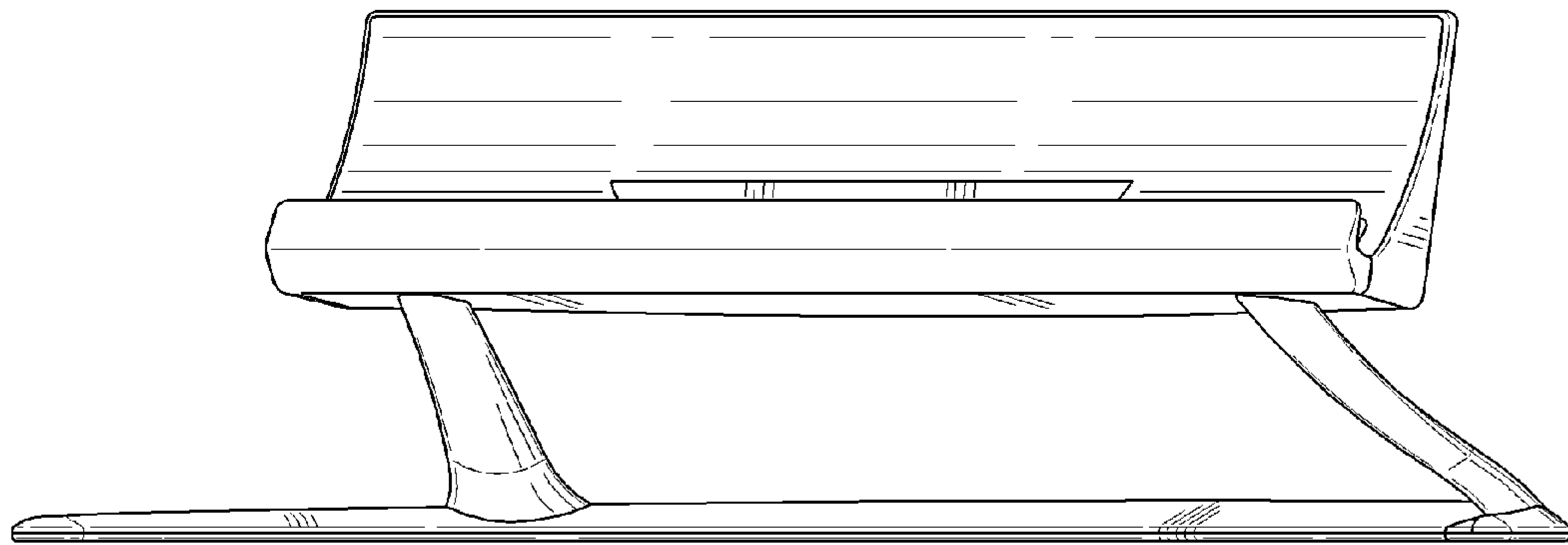


FIG. 2

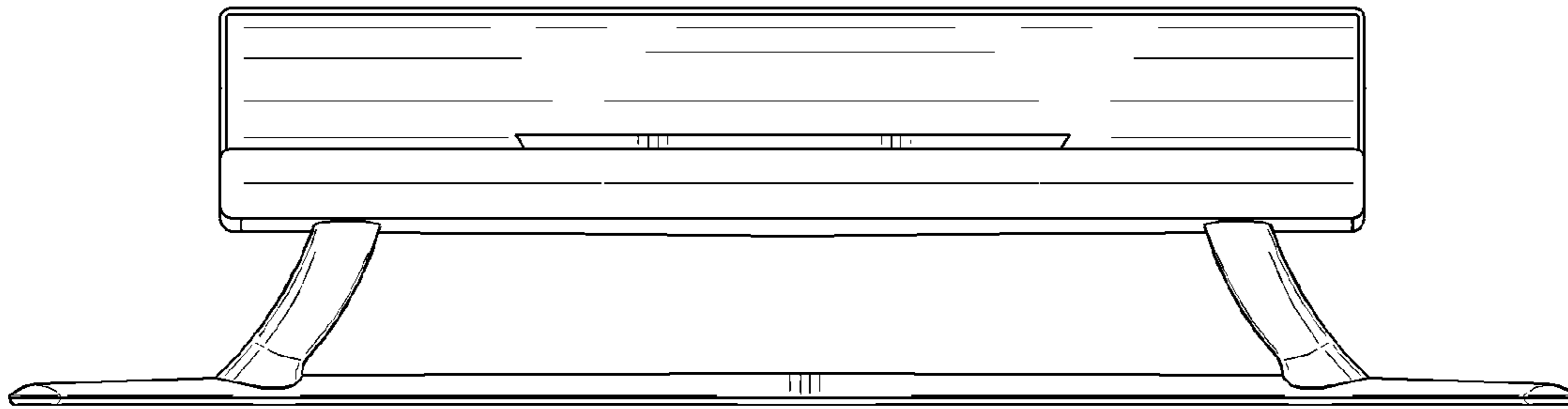


FIG. 3

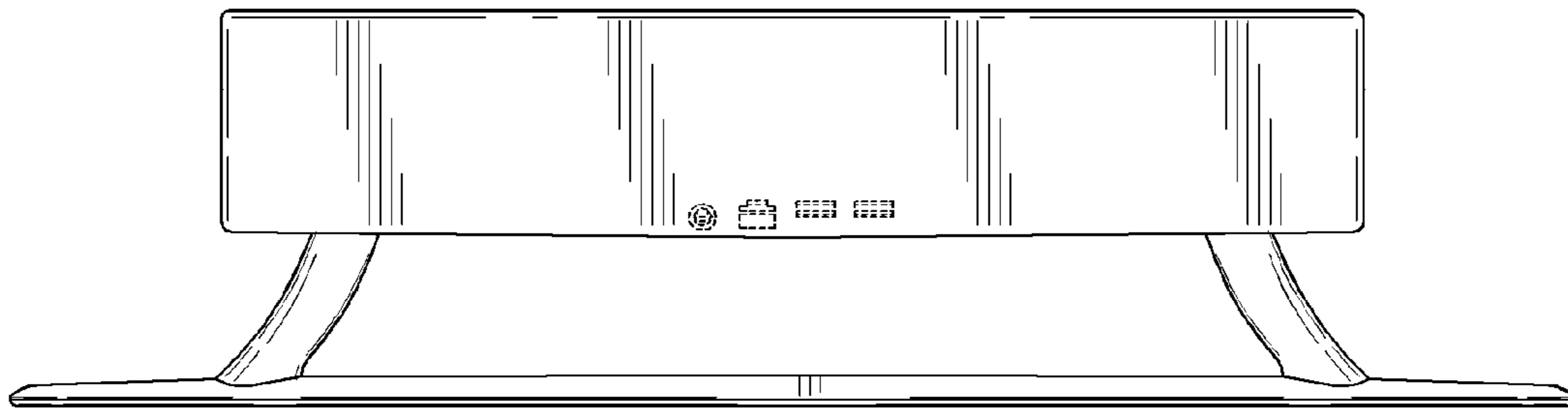


FIG. 4

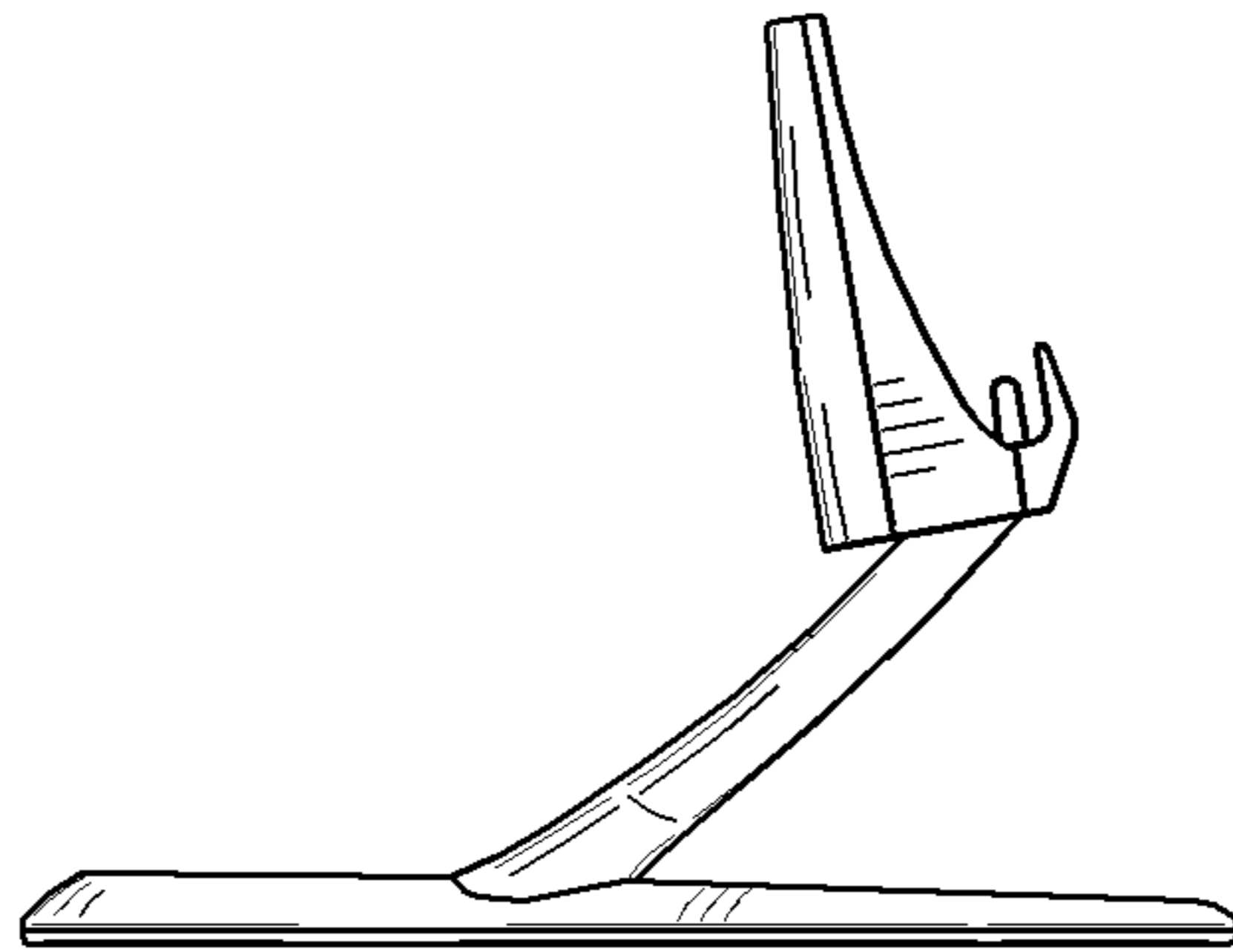


FIG. 5

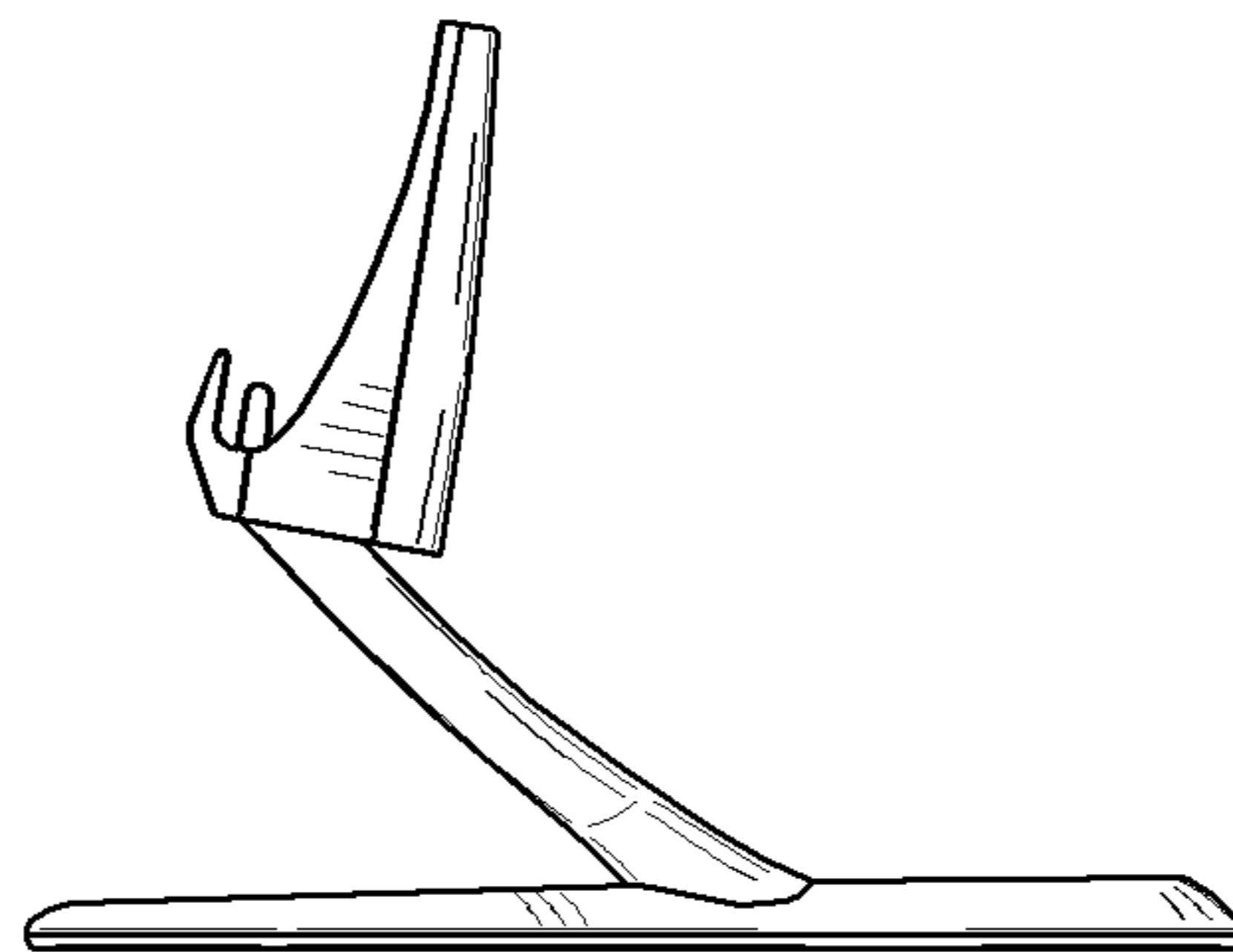


FIG. 6

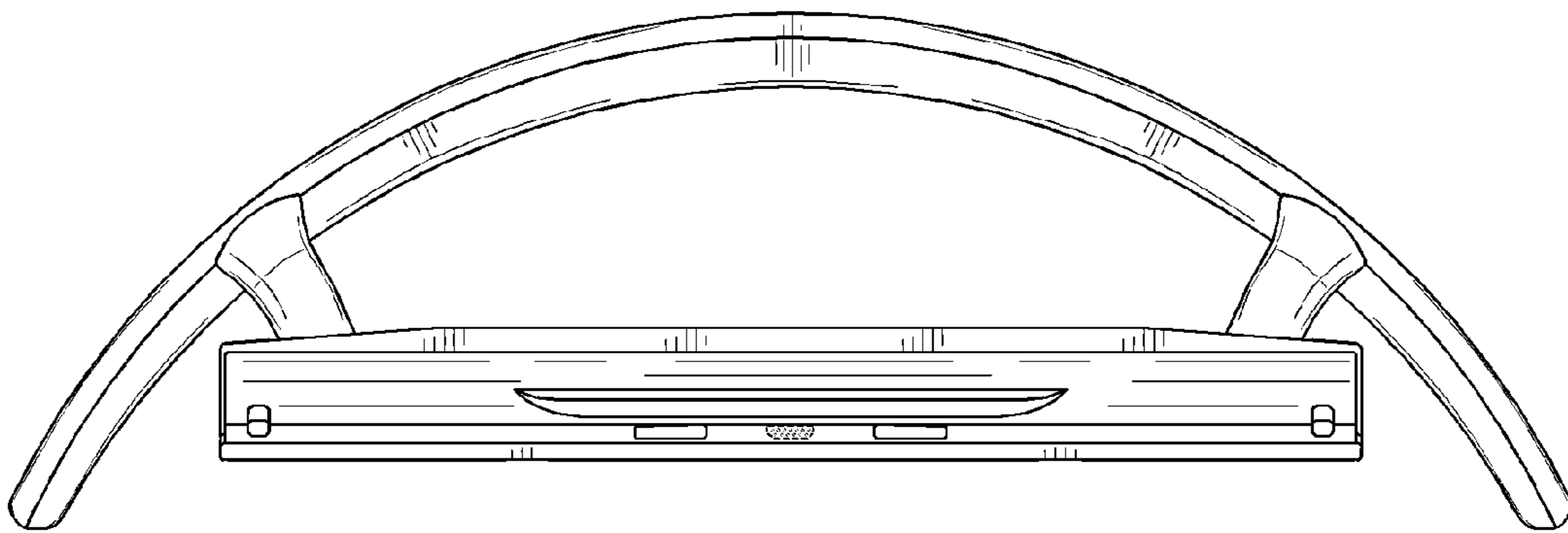


FIG. 7

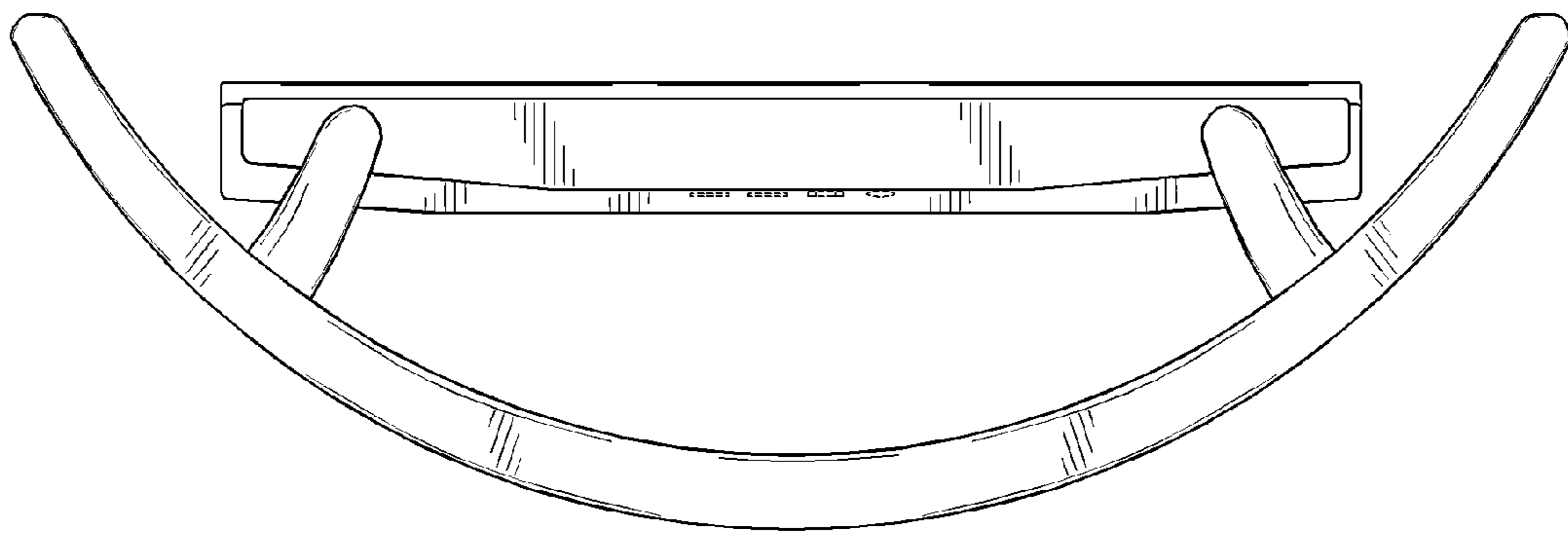


FIG. 8

