



US00D702238S

(12) **United States Design Patent**
Alegiani et al.

(10) **Patent No.:** **US D702,238 S**
(45) **Date of Patent:** **** Apr. 8, 2014**

(54) **CODED INFORMATION READER**

(56) **References Cited**

- (71) Applicant: **Datalogic IP Tech S.r.l.**, Lippo di Calderara di Reno (IT)
- (72) Inventors: **Monica Alegiani**, Silvi (IT); **Manlio Galanti**, San Giovanni in Persiceto (IT); **Corrado Tasselli**, Turin (IT); **Stefano Vassura**, Rastignano (IT)
- (73) Assignee: **Datalogic IP Tech S.r.l.**, Lippo di Calderara di Reno (BO) (IT)
- (**) Term: **14 Years**
- (21) Appl. No.: **29/450,706**
- (22) Filed: **Mar. 21, 2013**

U.S. PATENT DOCUMENTS

D344,501	S	2/1994	Gong et al.	
5,347,113	A *	9/1994	Reddersen et al. 235/462.15
D362,435	S	9/1995	Charych et al.	
5,475,206	A	12/1995	Reddersen et al.	
D376,989	S	12/1996	McCain	
D388,076	S	12/1997	Swift et al.	
5,736,726	A	4/1998	VanHorn et al.	
5,744,791	A	4/1998	Isaac et al.	
D396,714	S	8/1998	Nuovo et al.	
5,801,371	A	9/1998	Kahn et al.	
D400,199	S	10/1998	Fitch et al.	
5,850,078	A	12/1998	Giordano et al.	
D405,077	S	2/1999	Urushihata et al.	
D406,585	S	3/1999	Vuolteenaho et al.	
D414,171	S	9/1999	Swift et al.	
D414,172	S	9/1999	Hetfield et al.	
D414,470	S	9/1999	Chacon et al.	
D414,760	S	10/1999	Hetfield et al.	
5,965,863	A	10/1999	Parker et al.	
D418,500	S	1/2000	Giordano et al.	
D420,680	S	2/2000	Curtis	
D421,004	S	2/2000	Curtis	
D425,057	S	5/2000	Finkbeiner	
D427,090	S	6/2000	Washburn et al.	
D428,883	S	8/2000	Mizusugi et al.	
6,095,421	A *	8/2000	Barkan et al. 235/462.22
D431,562	S	10/2000	Bhatia et al.	
D433,017	S	10/2000	Martinez	
D435,557	S	12/2000	Eisenberg et al.	
6,158,662	A	12/2000	Kahn et al.	
D436,104	S	1/2001	Bhatia et al.	
D439,898	S	4/2001	Ober et al.	
6,234,394	B1	5/2001	Kahn et al.	
D446,524	S	8/2001	Bontly et al.	
6,321,990	B1	11/2001	Giordano et al.	
6,330,973	B1	12/2001	Bridgelall et al.	
6,352,204	B2	3/2002	Hattersley et al.	
D456,808	S *	5/2002	Fitch et al. D14/428
D456,809	S	5/2002	Schlieffers	
D456,810	S	5/2002	Schlieffers	
D459,728	S	7/2002	Roberts et al.	
6,412,698	B2	7/2002	Bontly	
6,415,982	B2	7/2002	Bridgelall et al.	
D461,189	S	8/2002	Bontly	
D462,357	S	9/2002	Jenkins	
D463,425	S	9/2002	Jenkins	
D464,645	S	10/2002	O'Neil	
6,478,226	B2	11/2002	Canini et al.	
D467,918	S	12/2002	Fitch et al.	

Related U.S. Application Data

- (63) Continuation of application No. 29/425,821, filed on Jun. 27, 2012, now Pat. No. Des. 682,277.

(30) **Foreign Application Priority Data**

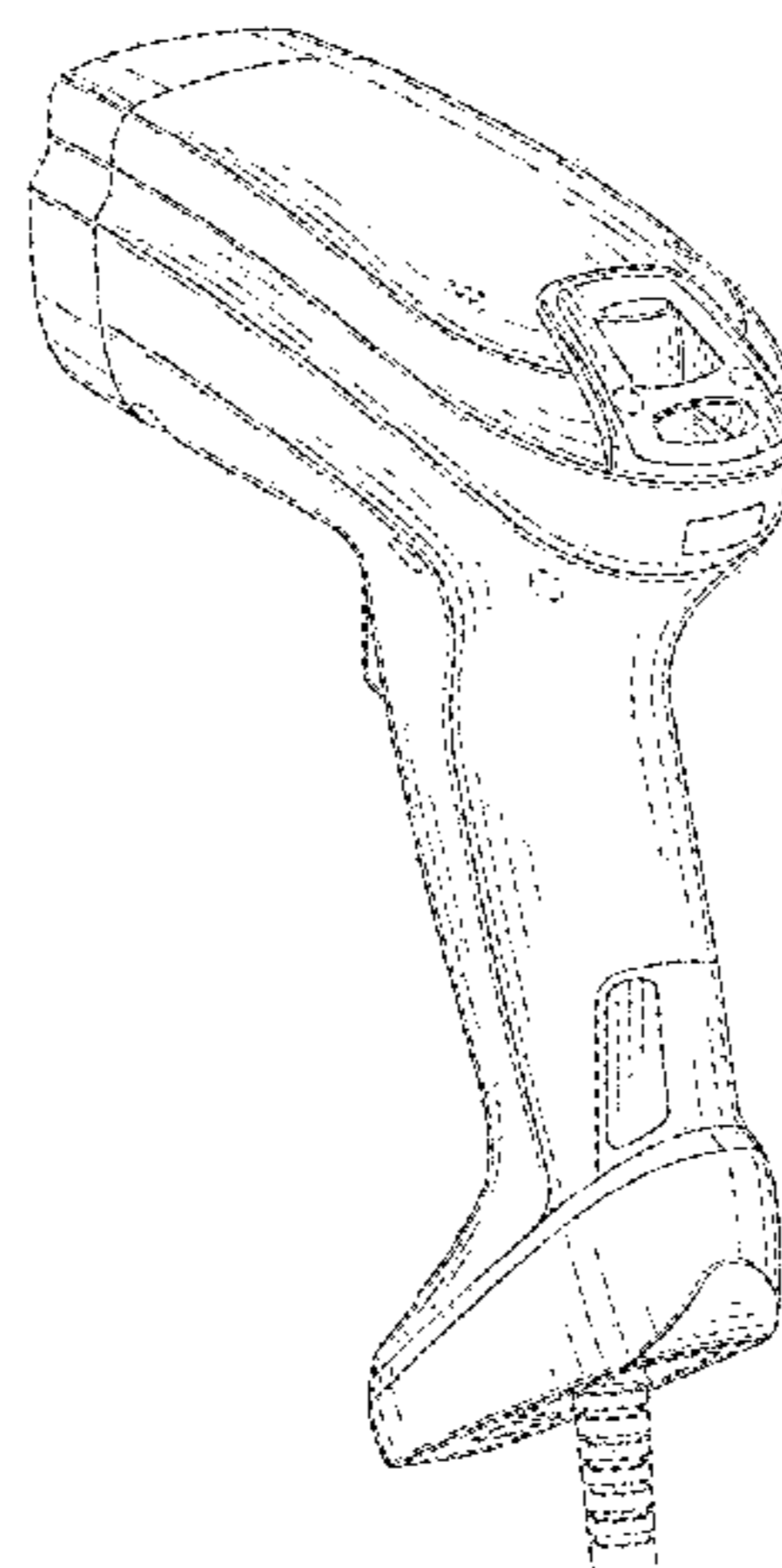
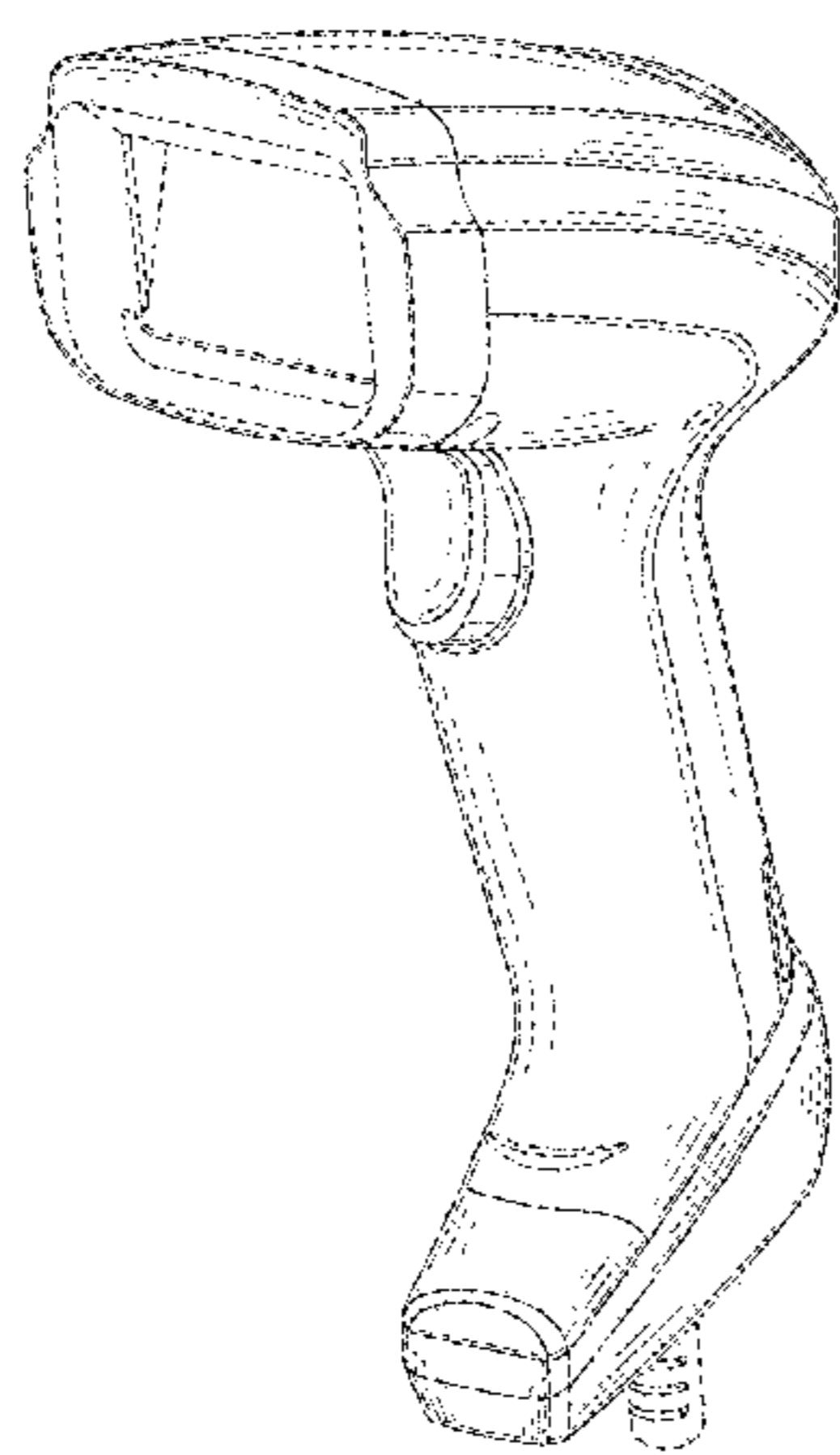
Dec. 30, 2011 (EM) 1970237

- (51) **LOC (10) Cl.** **14-02**

- (52) **U.S. Cl.**
USPC **D14/428**; D14/426

- (58) **Field of Classification Search**
USPC D14/420, 426-430, 453, 346, 341, 347, D14/412; D13/107, 184; 358/473; 235/462.43, 462.45, 462.47, 462.48, 235/462.44, 462.46, 487, 472.01, 472.02; 16/110.1, 430, 431; 439/133, 135; 709/219, 201; 710/73; 320/114, 115, 320/123; 361/679; 382/313, 321; 455/575.1, 561, 572

See application file for complete search history.



D470,145 S 2/2003 Schlieffers et al.
 D470,497 S 2/2003 Byun et al.
 D470,847 S * 2/2003 Carlson et al. D14/428
 6,517,003 B2 2/2003 Vassura et al.
 D473,872 S 4/2003 Ausens et al.
 6,561,428 B2 5/2003 Meier et al.
 D476,300 S 6/2003 Pottie et al.
 6,595,422 B1 7/2003 Doljack
 6,607,132 B1 8/2003 Dvorkis et al.
 D486,460 S 2/2004 Bey et al.
 6,758,403 B1 7/2004 Keys et al.
 6,824,060 B2 11/2004 Barkan
 6,824,061 B1 11/2004 Hattersley et al.
 6,832,729 B1 12/2004 Perry et al.
 D501,207 S 1/2005 Ohta et al.
 6,883,713 B2 4/2005 Schlieffers
 D505,422 S 5/2005 Kakizaki et al.
 6,959,865 B2 11/2005 Walczyk et al.
 6,983,130 B2 1/2006 Chien et al.
 D518,043 S 3/2006 Barness et al.
 D518,057 S 3/2006 Johnson et al.
 7,055,747 B2 6/2006 Havens et al.
 7,090,132 B2 8/2006 Havens et al.
 D529,943 S 10/2006 Chiu et al.
 7,147,162 B2 12/2006 Fitch et al.
 D537,828 S 3/2007 Croley et al.
 D538,285 S 3/2007 MacGregor et al.
 D541,283 S 4/2007 MacGregor et al.
 D542,802 S 5/2007 Woodcock
 7,222,789 B2 5/2007 Longacre et al.
 D552,606 S 10/2007 Swanson et al.
 D556,750 S 12/2007 Fitch et al.
 D556,761 S 12/2007 MacGregor et al.
 D558,206 S 12/2007 Watanabe
 D562,825 S 2/2008 Fitch et al.
 D566,713 S 4/2008 Ah
 7,350,711 B2 * 4/2008 He et al. 235/462.2
 D570,843 S 6/2008 Mazzone et al.
 7,387,253 B1 * 6/2008 Parker et al. 235/462.45
 D574,830 S 8/2008 Tasselli et al.
 D574,832 S 8/2008 MacGregor et al.
 D588,596 S 3/2009 Mazzone et al.
 D599,799 S 9/2009 Di Bari
 D603,408 S * 11/2009 Fitch D14/426
 7,617,984 B2 * 11/2009 Nunnink 235/472.01
 D606,076 S 12/2009 Di Bari
 D606,544 S 12/2009 Di Bari
 D611,943 S 3/2010 Boyd
 D613,290 S 4/2010 Arnold et al.
 D614,625 S * 4/2010 Fitch et al. D14/426
 D614,626 S 4/2010 Dai et al.
 D614,627 S 4/2010 Lerner et al.
 D615,085 S 5/2010 Ma et al.
 D618,688 S 6/2010 Ingold et al.
 D619,138 S 7/2010 Ingold et al.
 7,748,629 B2 * 7/2010 Brock 235/462.11
 D622,726 S 8/2010 Alegiani et al.
 D628,198 S 11/2010 Fitch et al.
 7,823,789 B2 * 11/2010 Nunnink 235/472.01
 D629,001 S 12/2010 Palmer et al.
 D633,502 S 3/2011 Alegiani
 D634,744 S 3/2011 Palmer et al.
 D638,422 S 5/2011 Reed et al.
 8,028,913 B2 * 10/2011 Liu et al. 235/455
 8,074,887 B2 * 12/2011 Havens et al. 235/462.45
 8,087,587 B2 * 1/2012 Vinogradov et al. 235/462.21
 8,186,592 B2 5/2012 Fletcher
 8,282,006 B2 10/2012 Longacre et al.
 D677,258 S 3/2013 Mistkawi
 D682,277 S * 5/2013 Tasselli et al. D14/428
 2001/0045466 A1 11/2001 Bontly
 2002/0023961 A1 2/2002 Itou et al.
 2002/0056755 A1 5/2002 Canini et al.
 2002/0096566 A1 7/2002 Schwartz et al.
 2002/0096756 A1 7/2002 Kobayakawa
 2002/0125323 A1 9/2002 Marrs et al.
 2002/0148902 A1 10/2002 Schlieffers
 2002/0171745 A1 11/2002 Ehrhart
 2003/0062418 A1 * 4/2003 Barber et al. 235/462.45

2003/0080193 A1 5/2003 Ryan et al.
 2003/0089775 A1 5/2003 Yeakley et al.
 2003/0209605 A1 * 11/2003 Walczyk et al. 235/472.01
 2003/0226895 A1 * 12/2003 Havens et al. 235/462.22
 2004/0094627 A1 5/2004 Parker et al.
 2004/0134989 A1 * 7/2004 Meier et al. 235/462.25
 2004/0134990 A1 7/2004 Fitch et al.
 2005/0017078 A1 1/2005 Bhatia et al.
 2005/0023358 A1 2/2005 Byun et al.
 2005/0068201 A1 3/2005 Wulff et al.
 2005/0161511 A1 7/2005 Parker et al.
 2005/0167504 A1 8/2005 Meier et al.
 2006/0289654 A1 12/2006 Robinson et al.
 2008/0217411 A1 * 9/2008 Ledwith et al. 235/472.02
 2009/0218403 A1 * 9/2009 Joseph et al. 235/462.21
 2009/0218405 A1 9/2009 Joseph et al.
 2010/0308116 A1 12/2010 Sani et al.
 2011/0024506 A1 2/2011 Nunnink
 2011/0069877 A1 3/2011 Vincenzi
 2011/0073658 A1 3/2011 Vassura et al.
 2011/0132984 A1 6/2011 Fletcher
 2011/0147459 A1 * 6/2011 Goren et al. 235/462.21
 2011/0290889 A1 12/2011 Tamburrini et al.
 2012/0193431 A1 * 8/2012 Hawley et al. 235/472.01
 2012/0256002 A1 10/2012 O'Donnell et al.
 2012/0319645 A1 12/2012 O'Donnell et al.
 2013/0008964 A1 1/2013 Hawley et al.
 2013/0292478 A1 * 11/2013 Wang et al. 235/472.01

FOREIGN PATENT DOCUMENTS

DE 20016762 U1 1/2001
 EP 1128314 A1 8/2001

* cited by examiner

Primary Examiner — Susan Moon Lee
 (74) *Attorney, Agent, or Firm* — Duane Morris LLP

(57) **CLAIM**

We claim the ornamental design for a coded information reader, as shown and Described.

DESCRIPTION

FIG. 1 is a perspective front view of a coded information reader according to the present invention.
 FIG. 2 is a perspective rear view of the coded information reader of FIG. 1.
 FIG. 3 is a front view of the coded information reader of FIG. 1.
 FIG. 4 is a rear view of the coded information reader of FIG. 1.
 FIG. 5 is a right side view of the coded information reader of FIG. 1.
 FIG. 6 is a left side view of the coded information reader of FIG. 1.
 FIG. 7 is a top view of the coded information reader of FIG. 1.
 FIG. 8 is a bottom view of the coded information reader of FIG. 1.
 FIG. 9 is a perspective front view of a second embodiment of a coded information reader according to the present invention.
 FIG. 10 is a perspective rear view of the coded information reader of FIG. 9.
 FIG. 11 is a front view of the coded information reader of FIG. 9.
 FIG. 12 is a rear view of the coded information reader of FIG. 9.

FIG. **13** is a right side view of the coded information reader of FIG. **9**.

FIG. **14** is a left side view of the coded information reader of FIG. **9**.

FIG. **15** is a top view of the coded information reader of FIG. **9**; and,

FIG. **16** is a bottom view of the coded information reader of FIG. **9**.

Broken lines and unshaded portions contained within broken lines are not claimed.

1 Claim, 16 Drawing Sheets

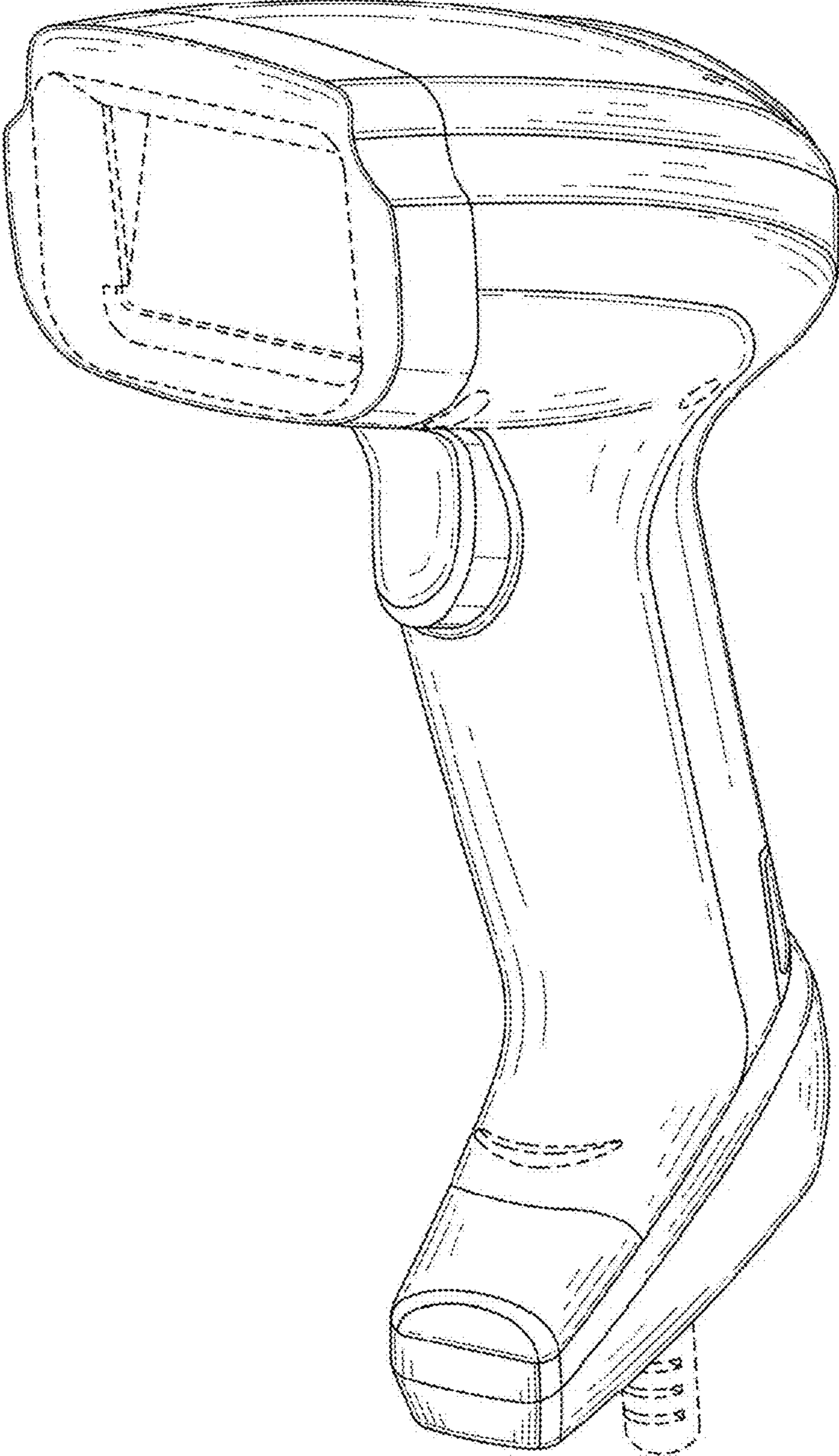


FIG. 1

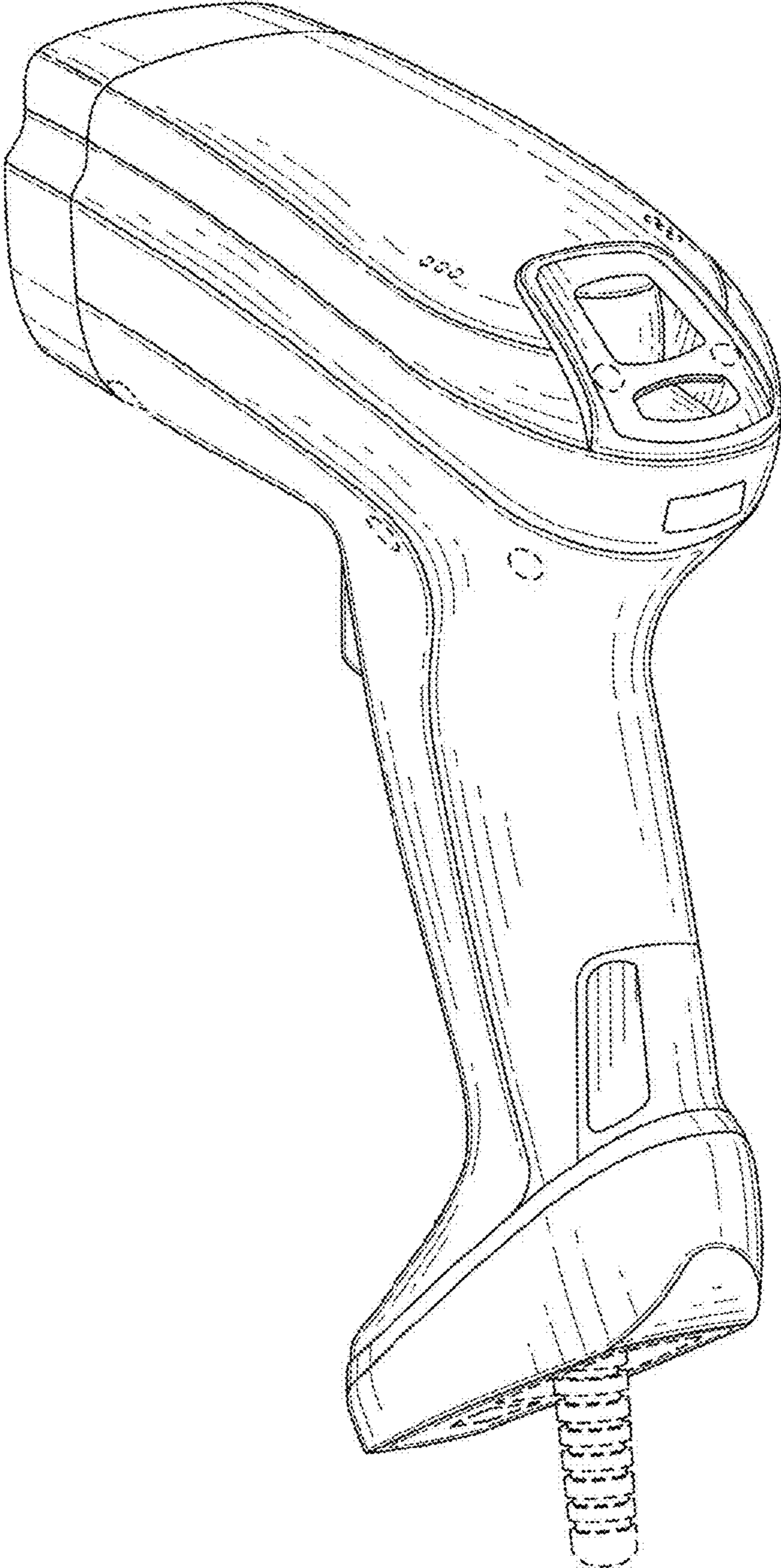


FIG. 2

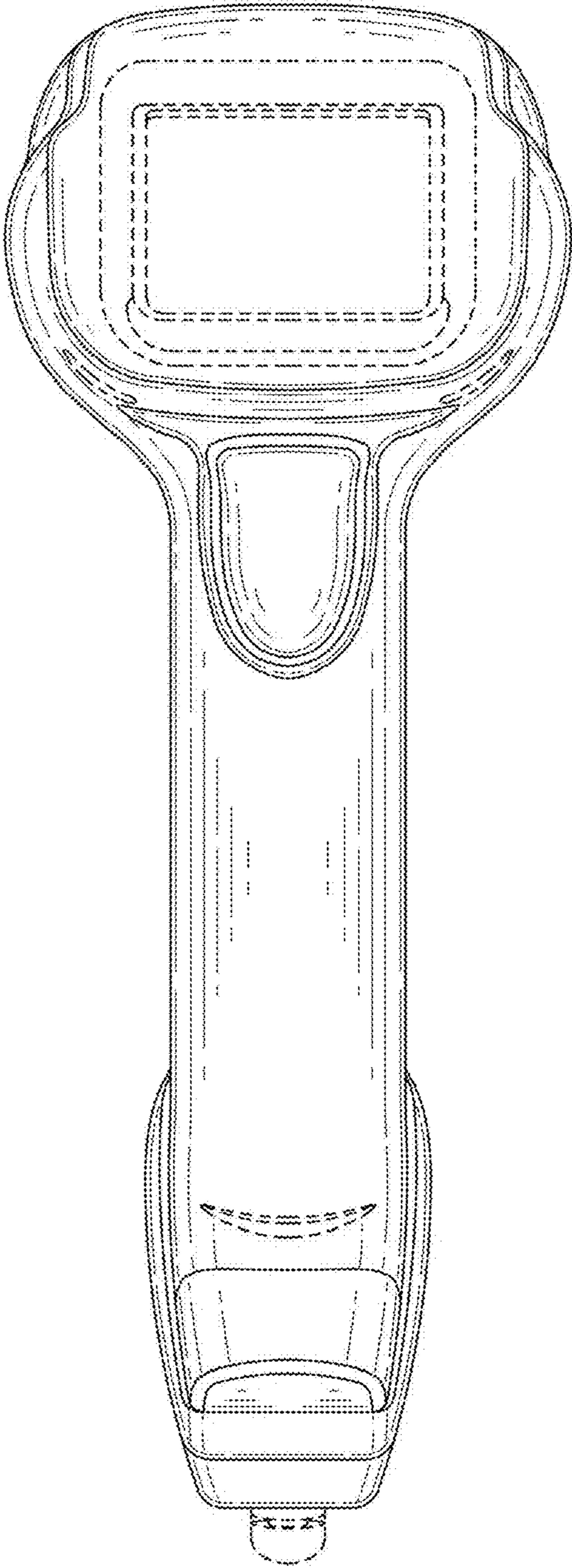


FIG. 3

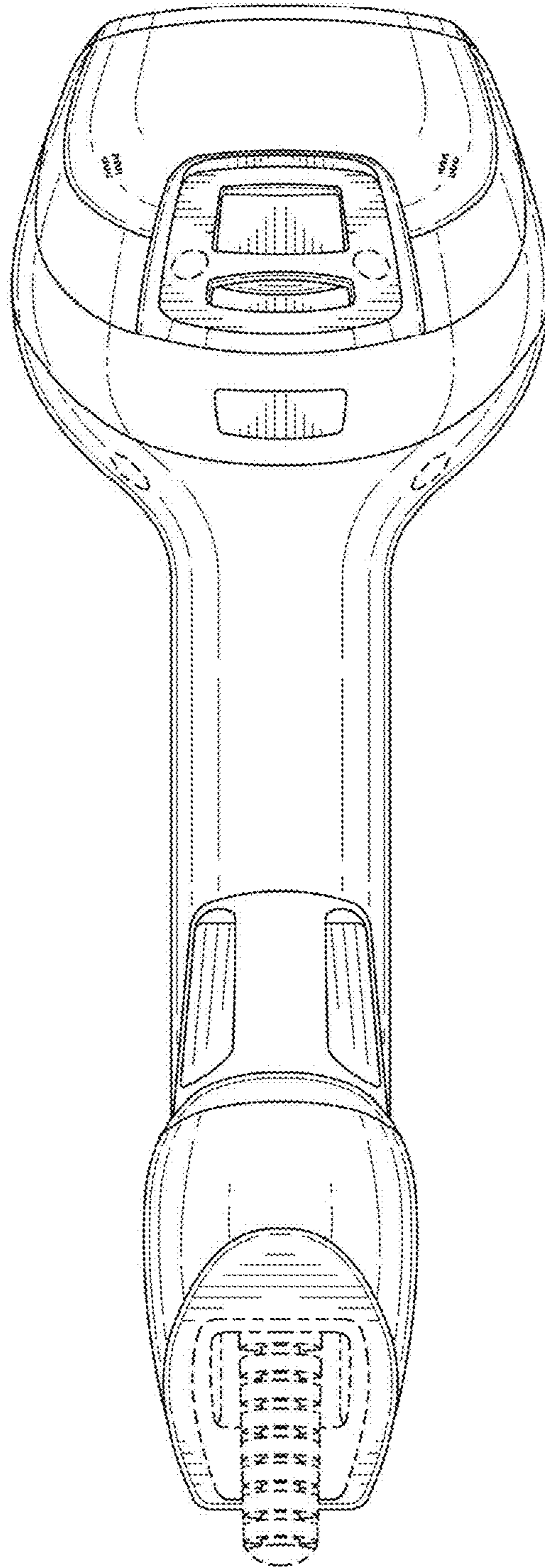


FIG. 4

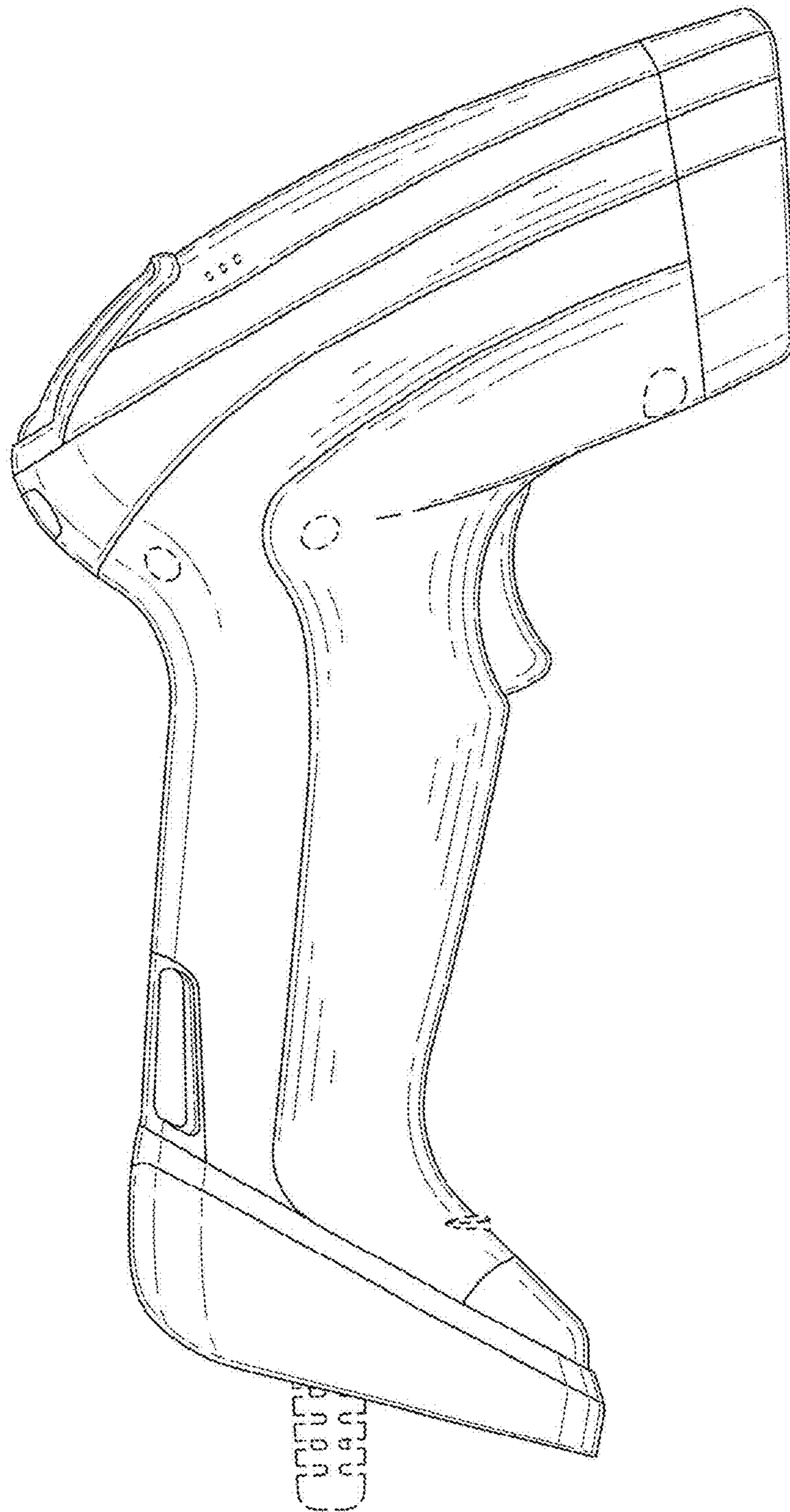


FIG. 5

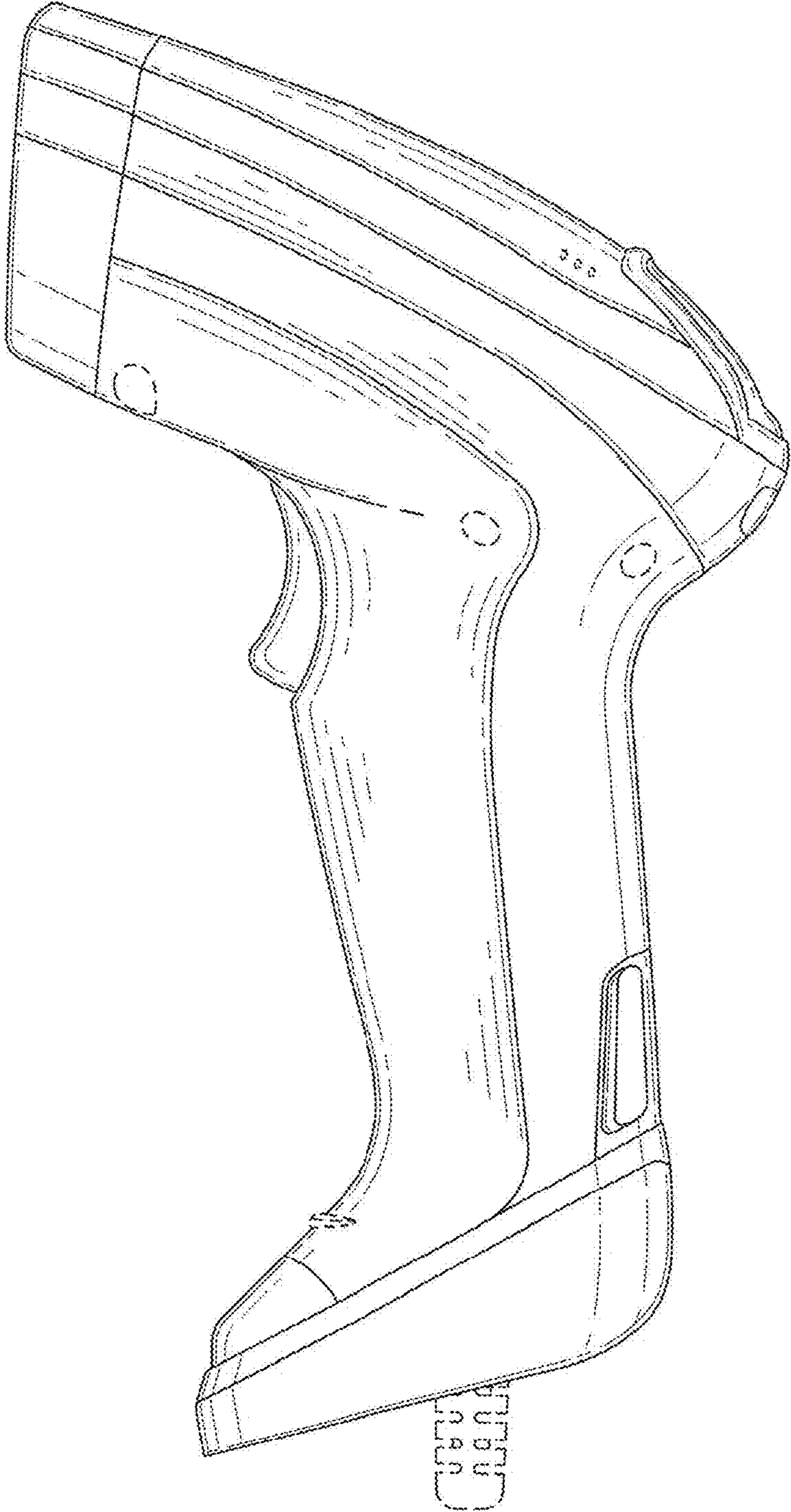


FIG. 6

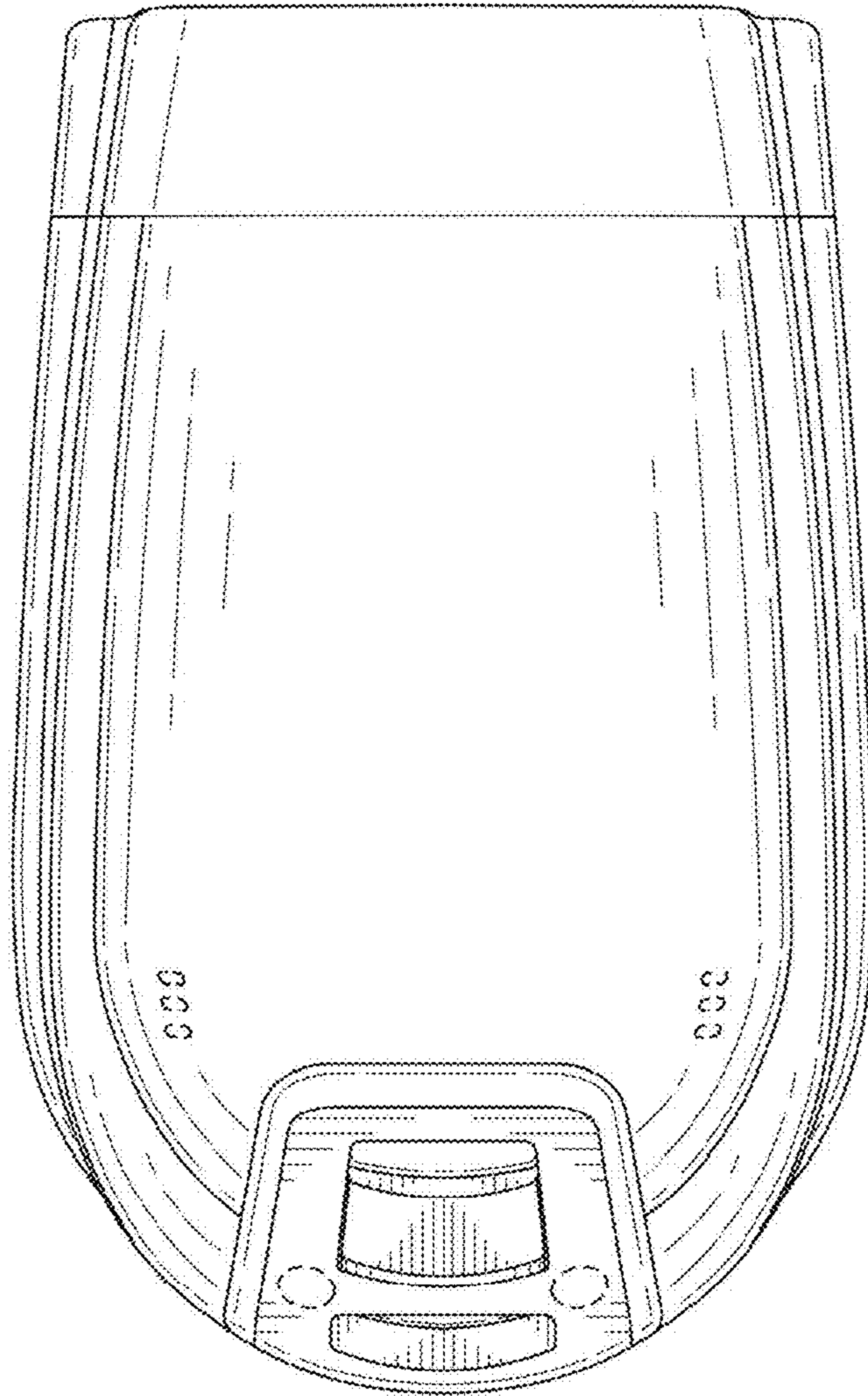


FIG. 7

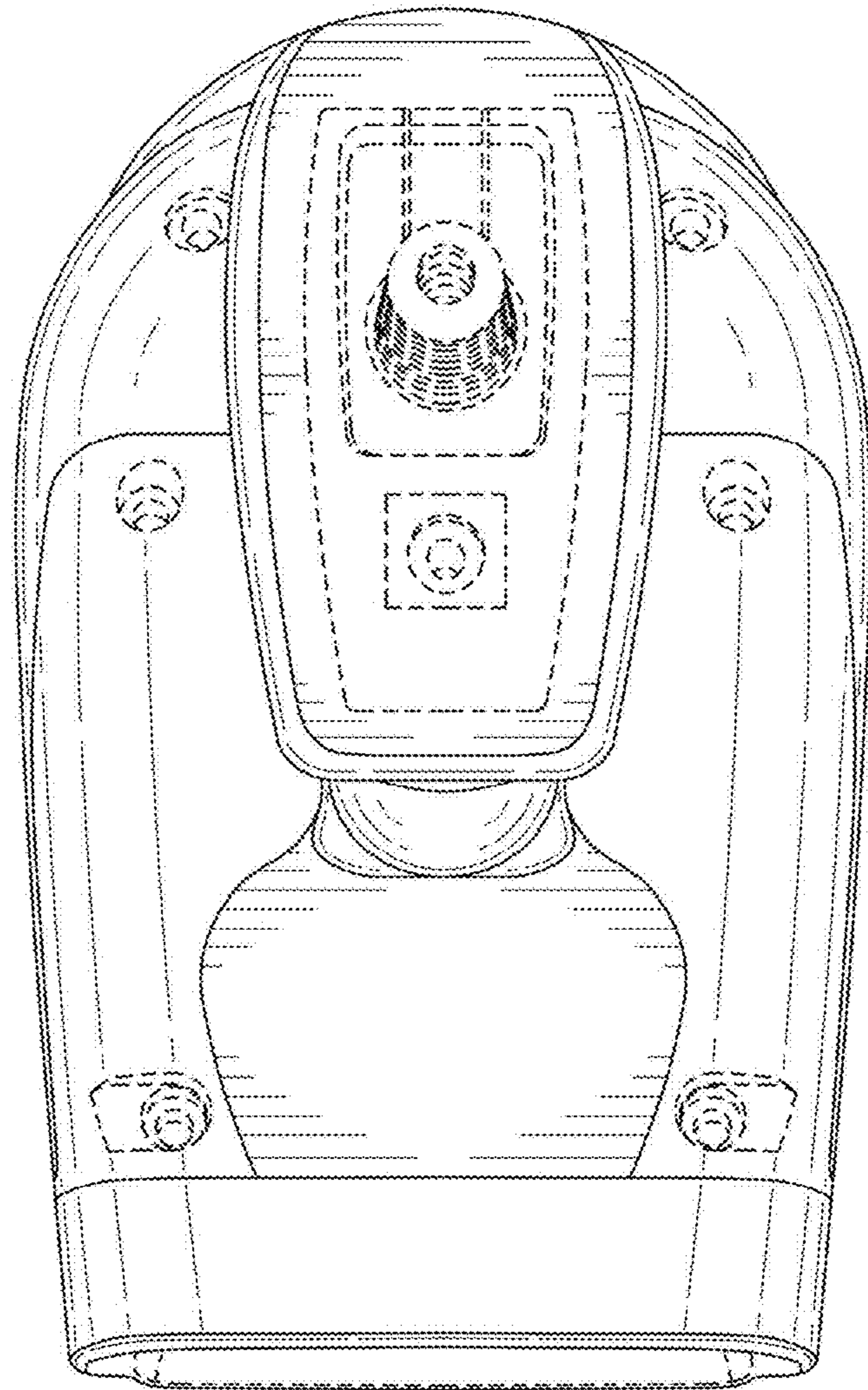


FIG. 8

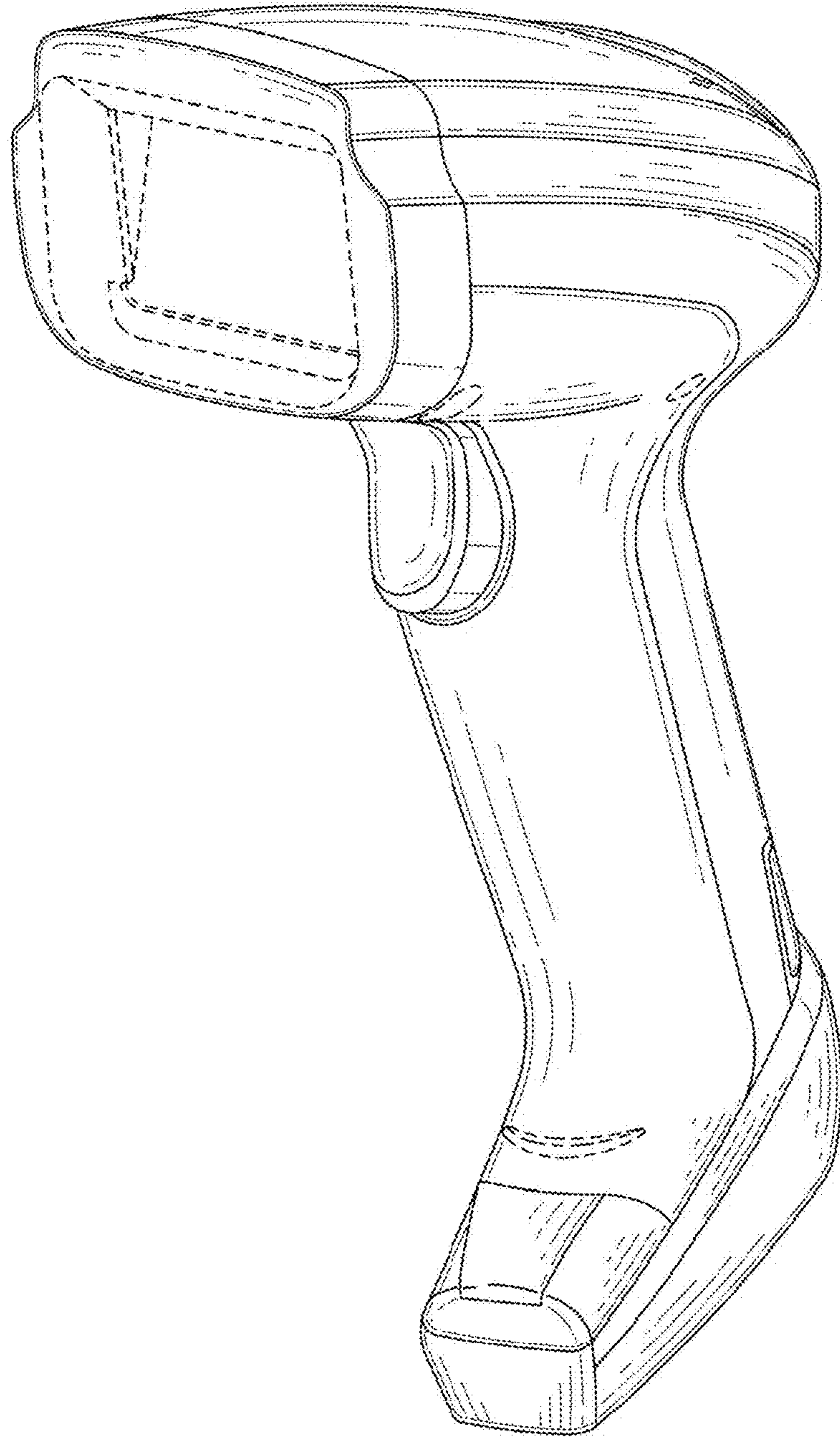


FIG. 9

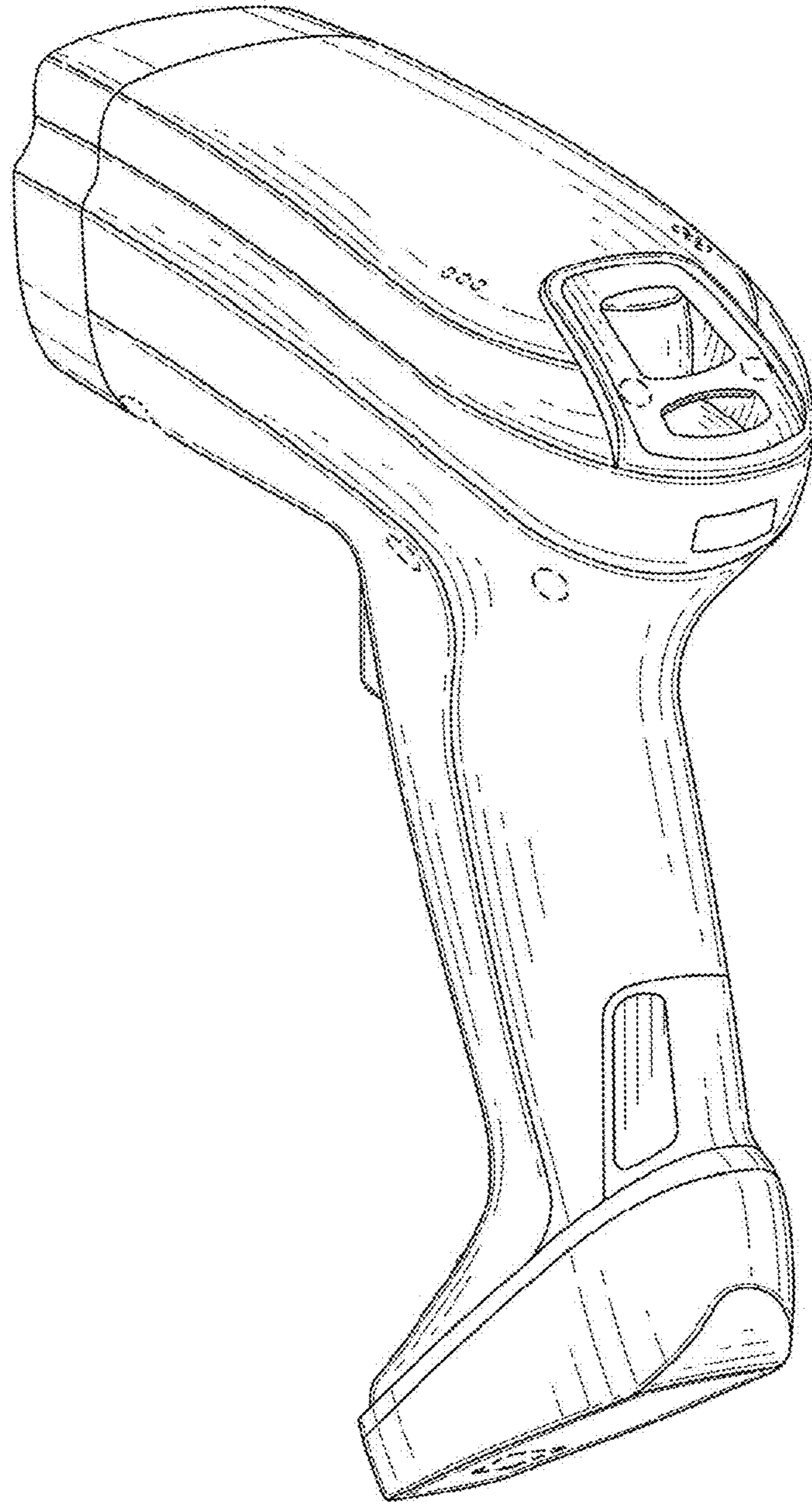


FIG. 10

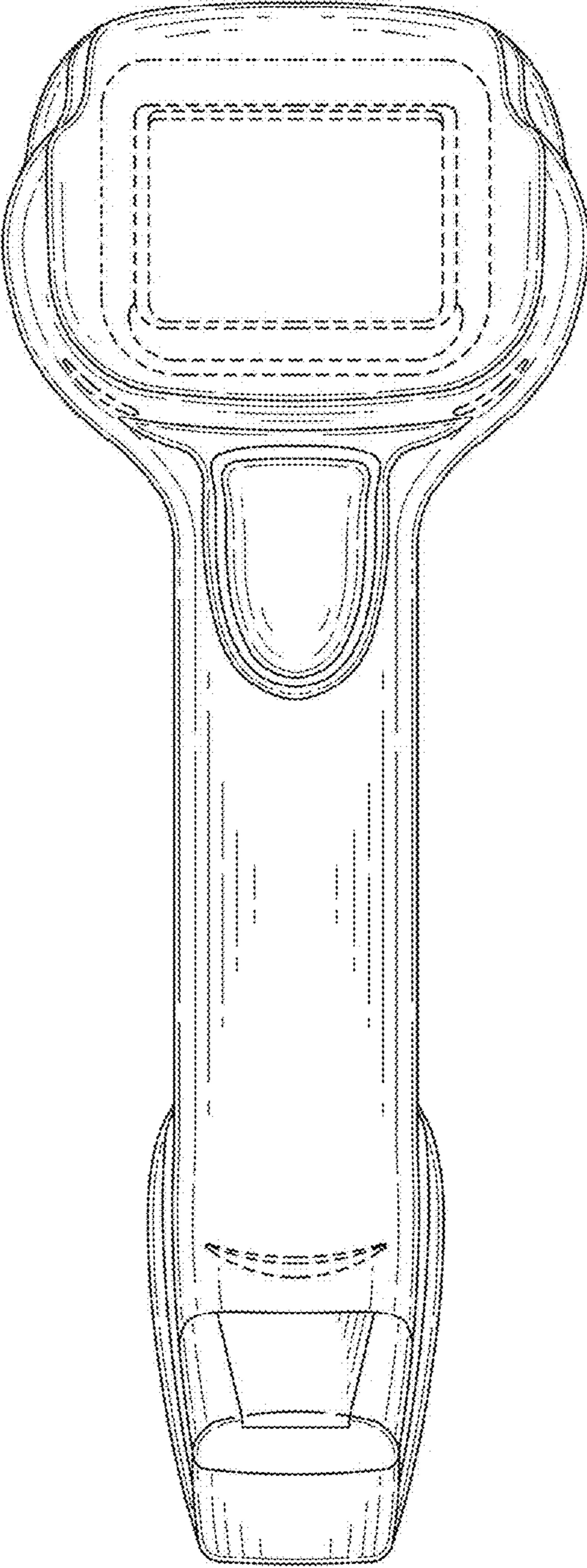


FIG. 11

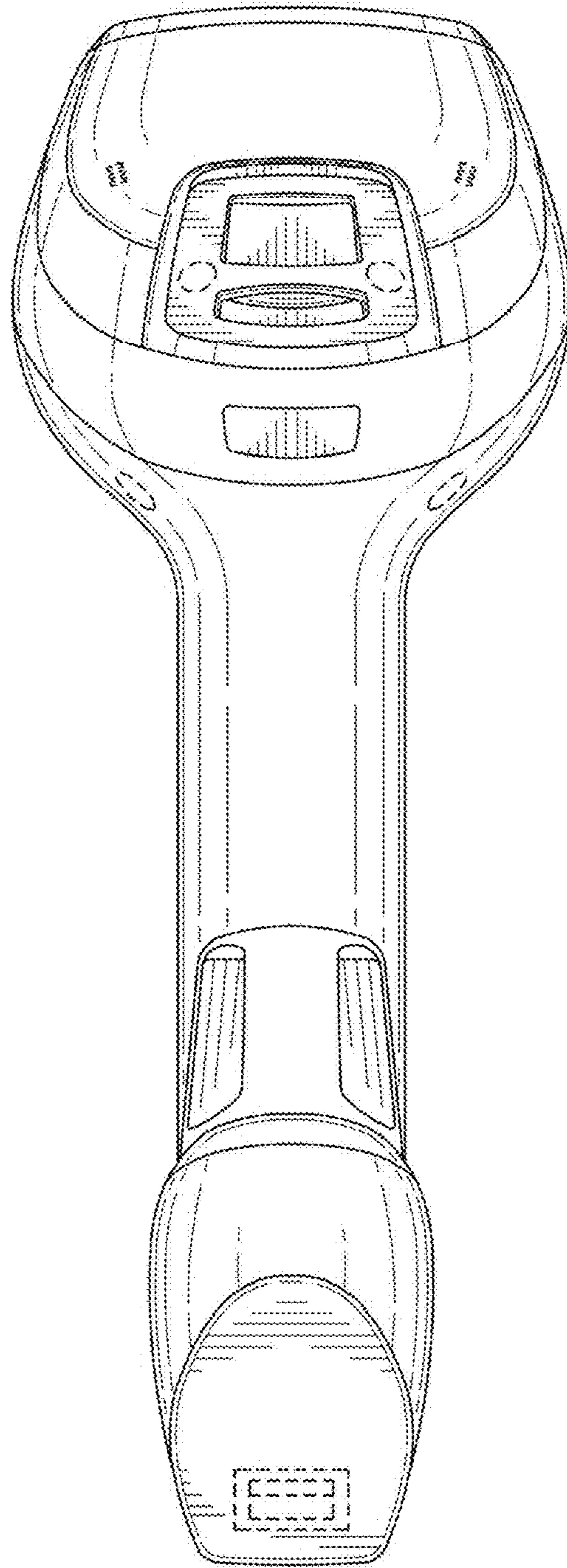


FIG. 12

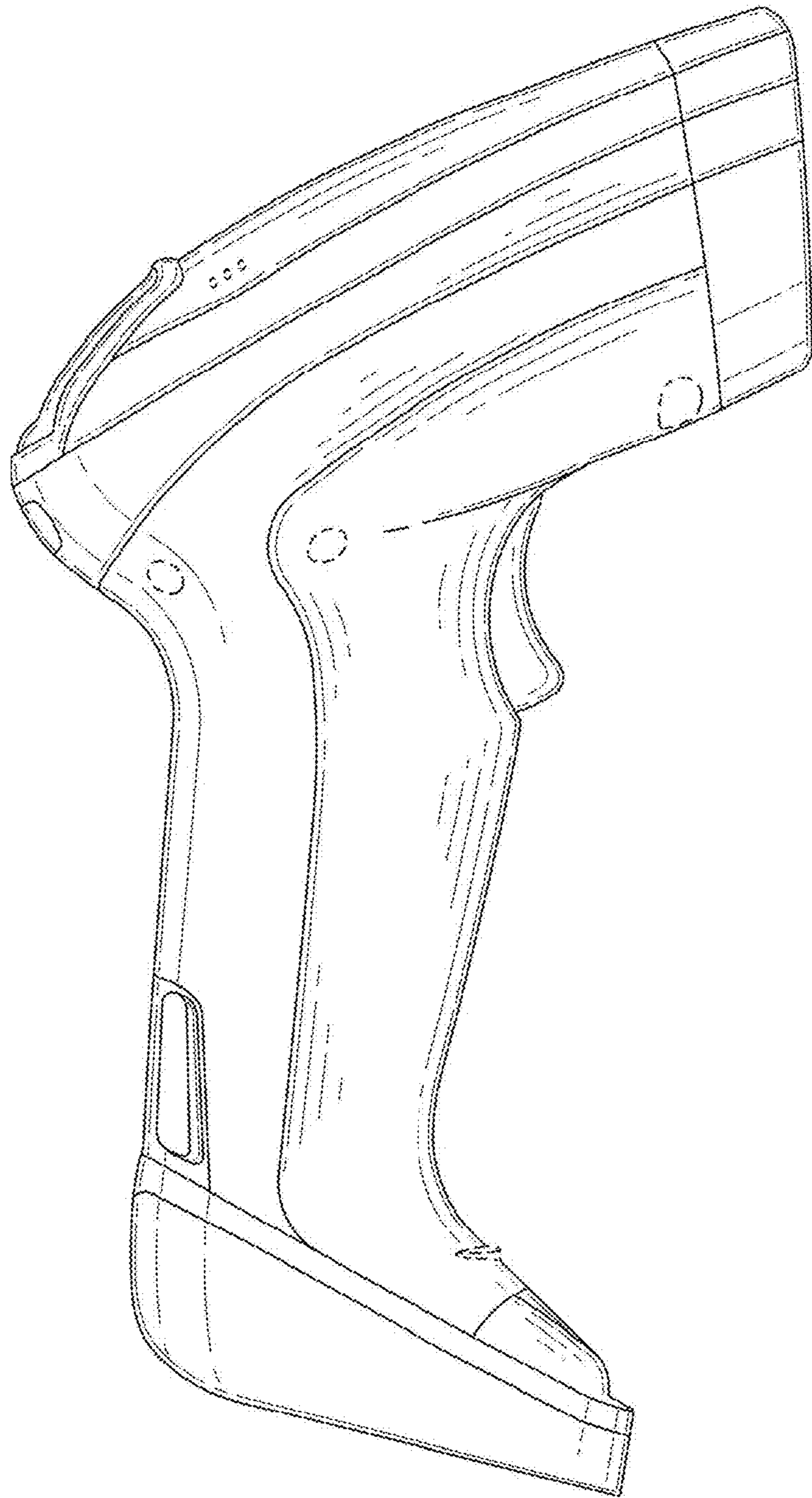


FIG. 13

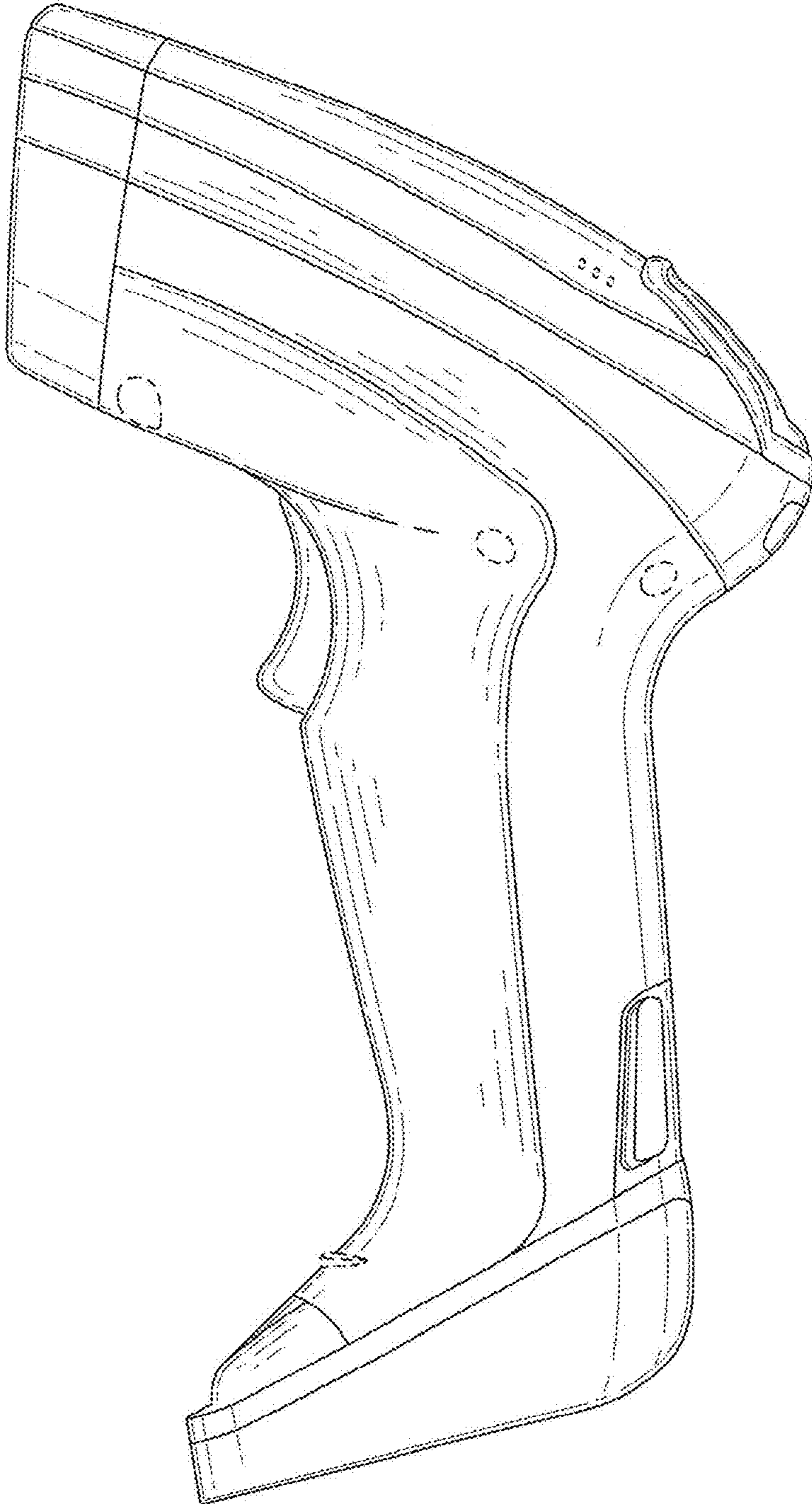


FIG. 14

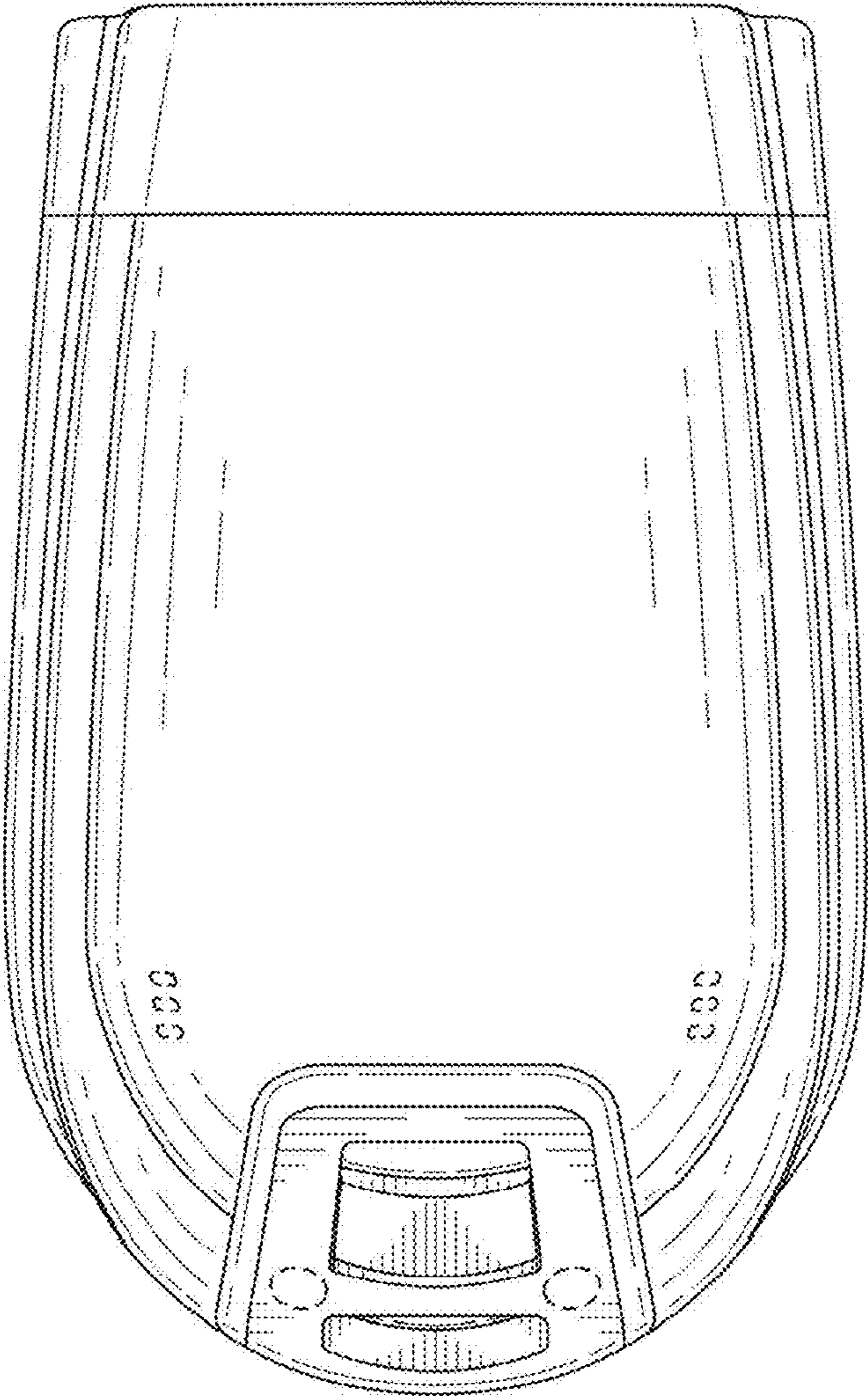


FIG. 15

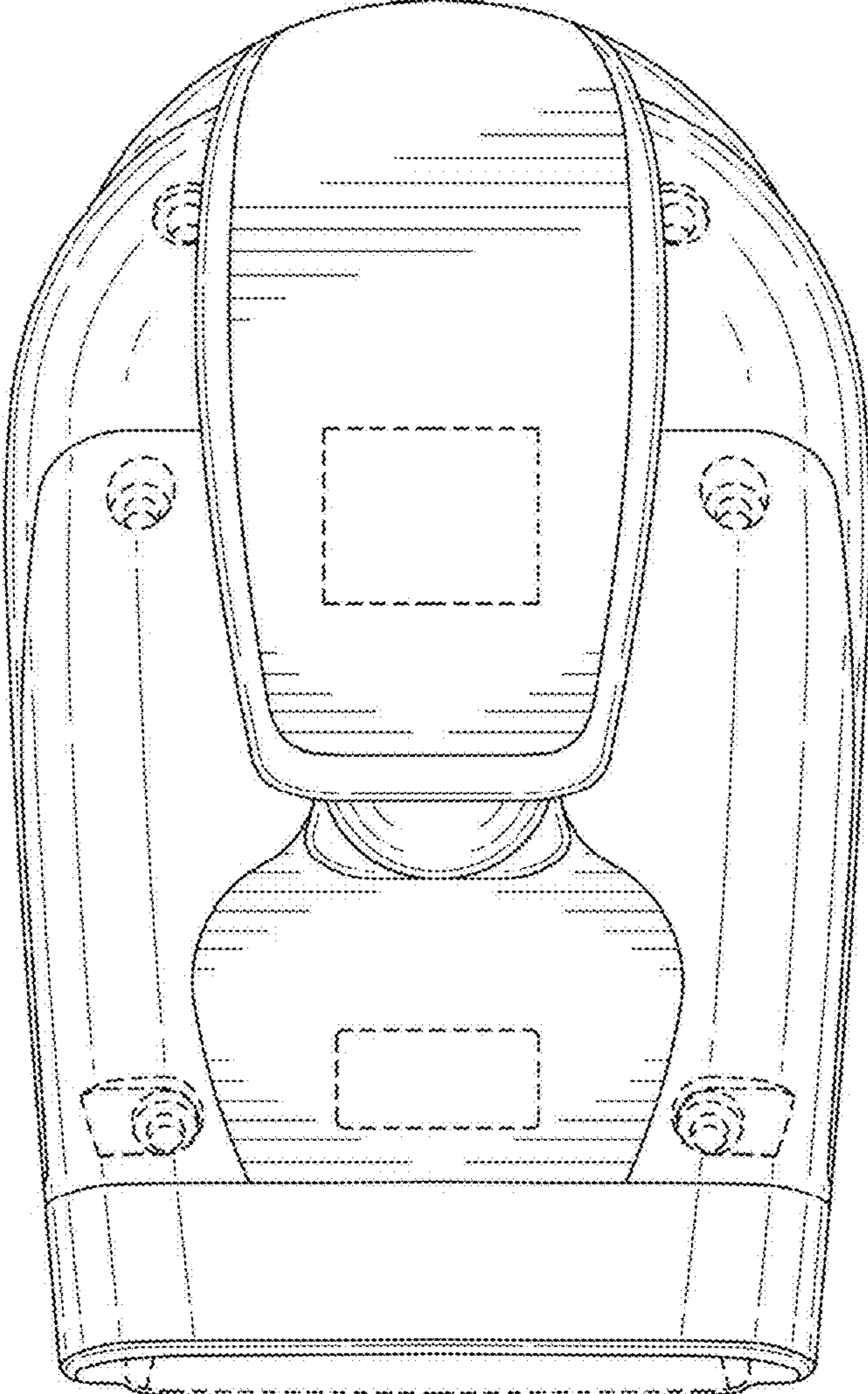


FIG. 16