



US00D702237S

(12) **United States Design Patent**
Oberpriller et al.

(10) **Patent No.:** **US D702,237 S**

(45) **Date of Patent:** **** Apr. 8, 2014**

(54) **IMAGING TERMINAL**

(71) Applicant: **Hand Held Products, Inc.**, Fort Mill, SC (US)

(72) Inventors: **Mark L. Oberpriller**, Atlanta, GA (US);
Timothy R. Fitch, Syracuse, NY (US);
Donna M. Fletcher, Auburn, NY (US)

(73) Assignee: **Hand Held Products, Inc.**, Fort Mill, SC (US)

(**) Term: **14 Years**

(21) Appl. No.: **29/446,944**

(22) Filed: **Feb. 28, 2013**

Related U.S. Application Data

(63) Continuation of application No. 13/739,576, filed on Jan. 11, 2013.

(51) **LOC (10) Cl.** **14-02**

(52) **U.S. Cl.**
USPC **D14/423**; D14/420

(58) **Field of Classification Search**
USPC D14/420-425; D16/232, 229, 235, 221,
D16/135; D18/36; 353/115, 119, 122,
353/DIG. 3, DIG. 4; 396/155, 133, 86;
358/474-498; 348/370, 373, 376, 374,
348/375; 248/187.1, 593, 276.1, 281.11;
D26/63, 65, 64, 62, 135, 61, 107, 109,
D26/51

See application file for complete search history.

(56) **References Cited**

U.S. PATENT DOCUMENTS

D167,184 S * 7/1952 Wheeler D20/2
D177,864 S * 5/1956 Wells et al. D7/309
D184,606 S * 3/1959 Cramer et al. D7/309

D185,833 S * 8/1959 Bruntjen D7/311
D202,462 S * 10/1965 Lofgren D7/309
D206,519 S * 12/1966 Wolfe D7/308
D209,125 S * 10/1967 Martin D7/309
D209,126 S * 10/1967 Martin D7/309
D209,127 S * 10/1967 Martin D7/309
D211,487 S * 6/1968 Schellens D7/309
D212,317 S * 9/1968 Hausam D7/309
D216,356 S * 12/1969 Bardeau D7/309
D219,418 S * 12/1970 Croslin D7/311
3,564,132 A 2/1971 Baker et al.
D221,202 S * 7/1971 Lorang D7/311
D225,592 S * 12/1972 Bardeau D7/309
D228,331 S * 9/1973 Julkenbeck D7/309
D229,158 S * 11/1973 Marotta D7/309

(Continued)

OTHER PUBLICATIONS

LSR110 Mobile Phone Bar Code Imager, available from Access IS, Reading, Berkshire, United Kingdom, 2-pages, Apr. 2009.

(Continued)

Primary Examiner — Susan Moon Lee

(74) *Attorney, Agent, or Firm* — Additon, Higgins, Pendleton & Ashe, P.A.

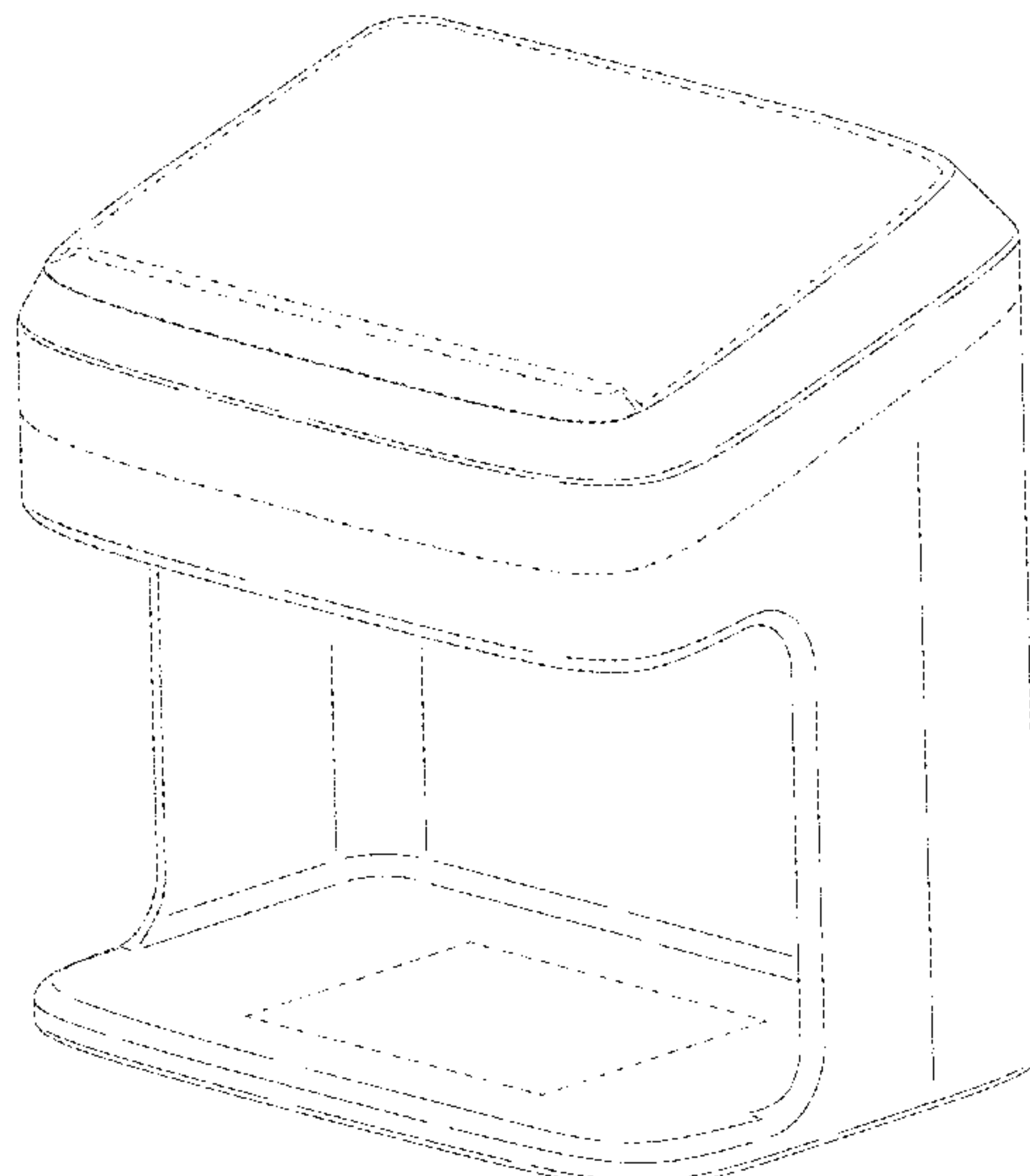
(57) **CLAIM**

The ornamental design for an imaging terminal, as shown and described.

DESCRIPTION

FIG. 1 is a perspective view of an imaging terminal in accordance with the new design;
FIG. 2 is a front elevation view thereof;
FIG. 3 is a right side elevation view thereof;
FIG. 4 is a left side elevation view thereof;
FIG. 5 is a rear view thereof; and,
FIG. 6 is a top view thereof.
Broken lines and portions contained within broken lines are not claimed.

1 Claim, 6 Drawing Sheets



(56)

References Cited

U.S. PATENT DOCUMENTS

- | | | | | | |
|--------------|------|---------|--------------------|---------|--|
| 3,774,014 | A | 11/1973 | Berler | | |
| D229,897 | S * | 1/1974 | Martin | D7/309 | |
| D232,410 | S * | 8/1974 | Rakocy | D7/309 | |
| D234,114 | S * | 1/1975 | Bergmann et al. | D7/309 | |
| D234,901 | S * | 4/1975 | Mantelet | D7/309 | |
| D235,816 | S * | 7/1975 | Hill | D7/308 | |
| D238,722 | S * | 2/1976 | Black | D7/309 | |
| D239,758 | S * | 5/1976 | Claxton et al. | D7/309 | |
| 3,997,723 | A | 12/1976 | Sandin | | |
| D243,057 | S * | 1/1977 | Painter | D7/309 | |
| D243,058 | S * | 1/1977 | Painter | D7/309 | |
| D243,308 | S * | 2/1977 | Harms et al. | D7/309 | |
| D243,499 | S * | 3/1977 | Julkenbeck | D7/309 | |
| D243,501 | S * | 3/1977 | Painter | D7/309 | |
| D243,737 | S * | 3/1977 | Painter | D7/309 | |
| D244,824 | S * | 6/1977 | Bluestein | D7/309 | |
| D245,163 | S * | 7/1977 | George | D7/309 | |
| D248,720 | S * | 8/1978 | Sato et al. | D7/309 | |
| D248,721 | S * | 8/1978 | Sato et al. | D7/309 | |
| D250,316 | S * | 11/1978 | Painter et al. | D7/309 | |
| D250,688 | S * | 1/1979 | Felske et al. | D7/309 | |
| D253,987 | S * | 1/1980 | Painter | D7/309 | |
| D254,184 | S * | 2/1980 | Martin et al. | D7/311 | |
| D254,285 | S * | 2/1980 | Lee et al. | D7/309 | |
| 4,218,965 | A * | 8/1980 | Petry | 99/283 | |
| D257,475 | S * | 11/1980 | von der Luehe | D7/309 | |
| D261,390 | S * | 10/1981 | Harvill | D7/307 | |
| D265,041 | S * | 6/1982 | Lee et al. | D7/309 | |
| D265,653 | S * | 8/1982 | Arzberger et al. | D7/311 | |
| D267,325 | S * | 12/1982 | Zimmerman et al. | D7/309 | |
| D268,389 | S * | 3/1983 | Tsuji et al. | D7/309 | |
| D268,977 | S * | 5/1983 | Marotta | D7/309 | |
| D269,488 | S * | 6/1983 | Marotta | D7/309 | |
| D270,699 | S * | 9/1983 | Rakocy et al. | D7/309 | |
| D274,029 | S * | 5/1984 | Daugherty | D7/309 | |
| D274,400 | S * | 6/1984 | Muller | D7/309 | |
| D277,070 | S * | 1/1985 | Elkerbout | D7/309 | |
| D277,538 | S * | 2/1985 | Jack | D7/309 | |
| D277,539 | S * | 2/1985 | Elkerbout | D7/309 | |
| D282,709 | S * | 2/1986 | Albrecht et al. | D7/309 | |
| D283,778 | S * | 5/1986 | Jack | D7/309 | |
| D287,089 | S * | 12/1986 | Cesaroni | D7/309 | |
| D287,212 | S * | 12/1986 | Daugherty | D7/309 | |
| D287,690 | S * | 1/1987 | Steinkamp | D7/309 | |
| D288,886 | S * | 3/1987 | Oakley et al. | D7/309 | |
| D288,888 | S * | 3/1987 | Baron | D7/311 | |
| D291,766 | S * | 9/1987 | Steinkamp et al. | D7/309 | |
| D292,468 | S * | 10/1987 | Ryan, Jr. | D7/309 | |
| D296,857 | S * | 7/1988 | Stutzer | D7/309 | |
| D296,972 | S * | 8/1988 | Roccio | D7/309 | |
| D298,996 | S * | 12/1988 | Van Camp et al. | D7/309 | |
| D300,105 | S * | 3/1989 | Klein | D7/309 | |
| D300,597 | S * | 4/1989 | Pandolfi | D7/309 | |
| 4,821,118 | A | 4/1989 | Lafreniere | | |
| 4,829,888 | A * | 5/1989 | Webster et al. | 99/284 | |
| 4,929,819 | A | 5/1990 | Collins, Jr. | | |
| D309,843 | S * | 8/1990 | Reichmann | D7/309 | |
| D316,795 | S * | 5/1991 | Brewer | D7/308 | |
| 5,019,699 | A | 5/1991 | Koenck | | |
| D317,546 | S * | 6/1991 | Rakocy et al. | D7/309 | |
| D317,694 | S * | 6/1991 | Dust | D7/309 | |
| 5,072,246 | A | 12/1991 | Thayer et al. | | |
| D326,386 | S * | 5/1992 | Rakocy et al. | D7/309 | |
| D328,995 | S * | 9/1992 | Verheijen | D7/309 | |
| D332,200 | S * | 1/1993 | Credle, Jr. | D7/311 | |
| D345,484 | S * | 3/1994 | Mason | D7/309 | |
| D346,524 | S * | 5/1994 | Saltet | D7/309 | |
| D358,290 | S * | 5/1995 | Schroeder | D7/311 | |
| D366,180 | S * | 1/1996 | Littmann | D7/309 | |
| 5,642,160 | A | 6/1997 | Bennett | | |
| D384,651 | S * | 10/1997 | Sandor et al. | D14/423 | |
| D385,455 | S * | 10/1997 | Cortese | D7/309 | |
| 5,747,784 | A | 5/1998 | Walter et al. | | |
| D395,976 | S * | 7/1998 | Seiffert et al. | D7/309 | |
| 5,793,033 | A | 8/1998 | Feng et al. | | |
| 5,841,121 | A | 11/1998 | Koenck | | |
| D408,206 | S * | 4/1999 | Stafford et al. | D7/306 | |
| D411,403 | S * | 6/1999 | Gudefin | D7/309 | |
| 5,960,100 | A | 9/1999 | Hargrove | | |
| 6,060,722 | A | 5/2000 | Havens et al. | | |
| 6,149,150 | A * | 11/2000 | Onipchenko et al. | 271/240 | |
| 6,179,206 | B1 | 1/2001 | Matsumori | | |
| D437,726 | S * | 2/2001 | Hardt | D7/306 | |
| D439,103 | S * | 3/2001 | Cruz | D7/309 | |
| 6,236,736 | B1 | 5/2001 | Crabtree et al. | | |
| D446,989 | S * | 8/2001 | Cruz | D7/309 | |
| 6,330,973 | B1 | 12/2001 | Bridgelall et al. | | |
| 6,336,587 | B1 | 1/2002 | He et al. | | |
| D454,023 | S * | 3/2002 | Wang | D7/309 | |
| 6,578,713 | B1 * | 6/2003 | Matsuura et al. | 209/534 | |
| D477,030 | S * | 7/2003 | Kolls et al. | D20/8 | |
| D477,175 | S * | 7/2003 | Smith | D7/309 | |
| 6,619,461 | B2 * | 9/2003 | Saltsov et al. | 194/317 | |
| D483,057 | S * | 12/2003 | Bergeron et al. | D18/3.3 | |
| D484,734 | S * | 1/2004 | Drobeck | D7/309 | |
| 6,681,994 | B1 | 1/2004 | Koenck | | |
| D489,217 | S * | 5/2004 | Seum et al. | D7/309 | |
| 6,729,546 | B2 | 5/2004 | Roustaei | | |
| D498,110 | S * | 11/2004 | Picozza et al. | D7/309 | |
| D498,111 | S * | 11/2004 | Lassota et al. | D7/309 | |
| D501,352 | S * | 2/2005 | Lin | D7/309 | |
| D501,623 | S * | 2/2005 | Lin | D7/309 | |
| D509,986 | S * | 9/2005 | O'Neill et al. | D7/309 | |
| D510,675 | S * | 10/2005 | Ball | D7/306 | |
| 7,137,555 | B2 | 11/2006 | Bremer et al. | | |
| D533,555 | S * | 12/2006 | Odhe et al. | D14/420 | |
| D541,097 | S * | 4/2007 | Leverrier | D7/307 | |
| 7,246,747 | B2 | 7/2007 | Bremer et al. | | |
| D550,499 | S * | 9/2007 | Argabrite et al. | D7/309 | |
| 7,322,526 | B1 | 1/2008 | Koenck | | |
| D571,598 | S * | 6/2008 | Moore | D7/306 | |
| 7,382,911 | B1 | 6/2008 | Meier et al. | | |
| 7,395,970 | B2 | 7/2008 | Poloniewicz et al. | | |
| D575,571 | S * | 8/2008 | Hammad et al. | D7/309 | |
| D575,977 | S * | 9/2008 | Rose | D7/309 | |
| D584,098 | S * | 1/2009 | Webster et al. | D7/309 | |
| 7,527,203 | B2 | 5/2009 | Bremer et al. | | |
| D597,782 | S * | 8/2009 | Webster et al. | D7/309 | |
| D600,062 | S * | 9/2009 | Lavy | D7/309 | |
| D600,492 | S * | 9/2009 | Hammad et al. | D7/309 | |
| 7,591,415 | B2 | 9/2009 | Jesme | | |
| D602,729 | S * | 10/2009 | Dahlstrom | D7/309 | |
| D604,087 | S * | 11/2009 | Lavy | D7/309 | |
| D604,367 | S * | 11/2009 | Thawley | D20/8 | |
| 7,748,620 | B2 | 7/2010 | Gomez et al. | | |
| D628,007 | S * | 11/2010 | Di Bitonto et al. | D7/310 | |
| D630,039 | S * | 1/2011 | Lin | D7/309 | |
| 7,878,405 | B2 | 2/2011 | Kricorissian | | |
| 7,900,840 | B2 | 3/2011 | Herwig | | |
| 8,028,916 | B2 | 10/2011 | Herwig et al. | | |
| D679,745 | S * | 4/2013 | Helgesson et al. | D18/4.4 | |
| D685,600 | S * | 7/2013 | White | D7/309 | |
| 8,490,540 | B2 * | 7/2013 | Webster et al. | 99/280 | |
| 2012/0187187 | A1 | 7/2012 | Duff et al. | | |

OTHER PUBLICATIONS

- LSR120 2D Bar Code Imager, available from Access IS, Reading, Berkshire, United Kingdom, printed from the Internet Oct. 4, 2012, <http://web.archive.org/web/20100909173112/http://www.access-is.com/lsr120-2d-bcbp-bar-code-imager.php>, 1-page, 2010.
- Sumlung 2D Barcode Reader SL-QC15S (QR Code) available from Shanghai Sumlung(xialang) Information Technology Co.,Ltd., Shanghai, China printed from the Internet Oct. 4, 2012, http://web.archive.org/web/20100402054426/http://www.sumlung.com/en/index.php?option=com_content&view=article&id=95, 1 -page, 2010.
- Jadak PR-215 Kiosk Scanner, available from Jadak Technologies, Breda, The Netherlands, and North Syracuse, New York, 2-pages, Mar. 2012.

(56)

References Cited

OTHER PUBLICATIONS

Jadak PR-1 Phone Reader, available from Jadak Technologies, Breda, The Netherlands, and North Syracuse, New York, 2-pages, Jun. 20, 2012.

Jadak PR-3 Phone Reader, available from Jadak Technologies, Breda, The Netherlands, and North Syracuse, New York, 2-pages, Apr. 9, 2012.

Jadak KM-204 Phone Reader, available from Jadak Technologies, Breda, The Netherlands, and North Syracuse, New York, 2-pages, Jun. 6, 2012.

Oberpriller et al., pending Utility U.S. Appl. No. 13/739,576, filed Jan. 11, 2013, "Customer Facing Imaging Systems and Methods for Obtaining Images".

* cited by examiner

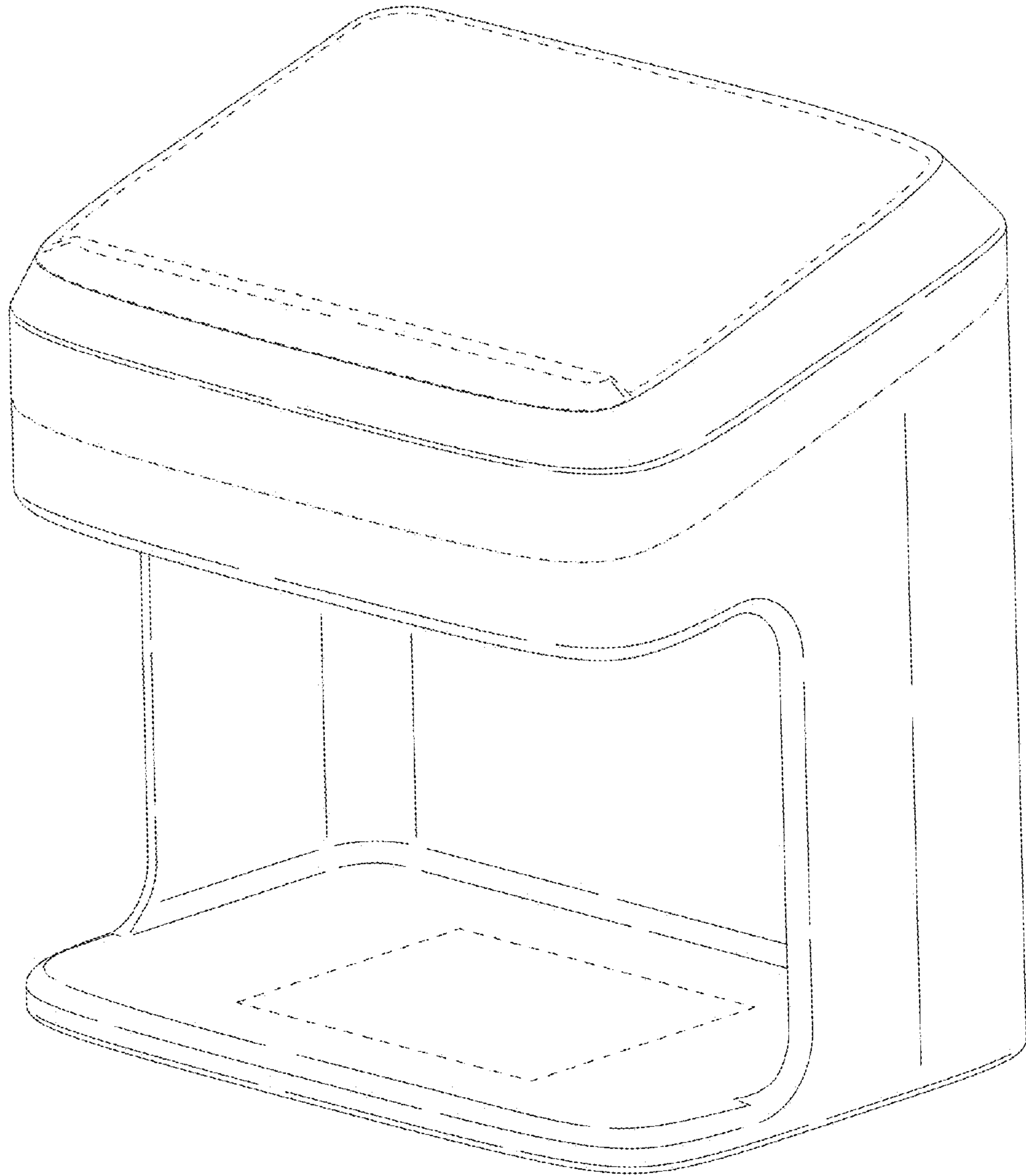


FIG. 1

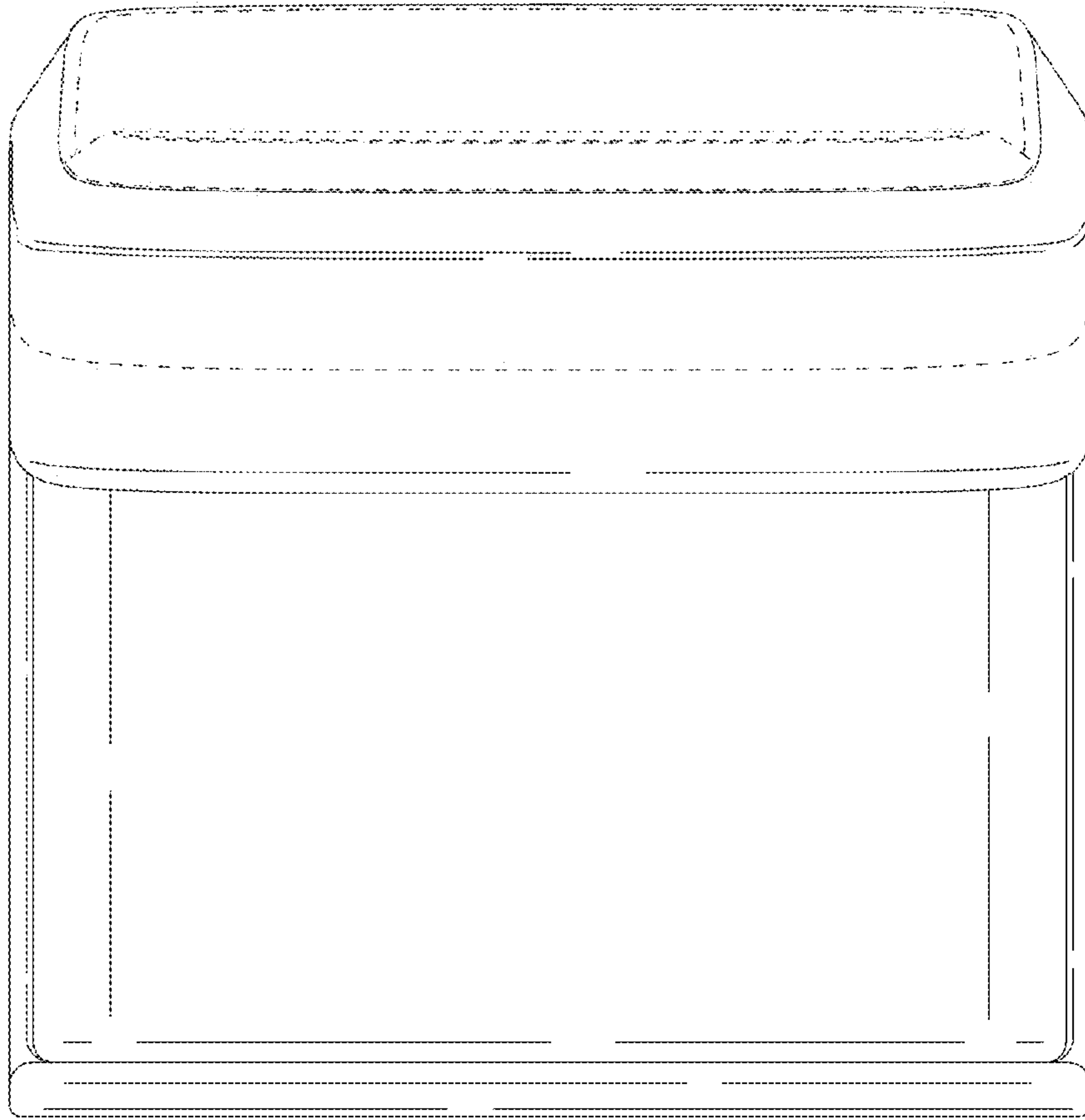


FIG. 2

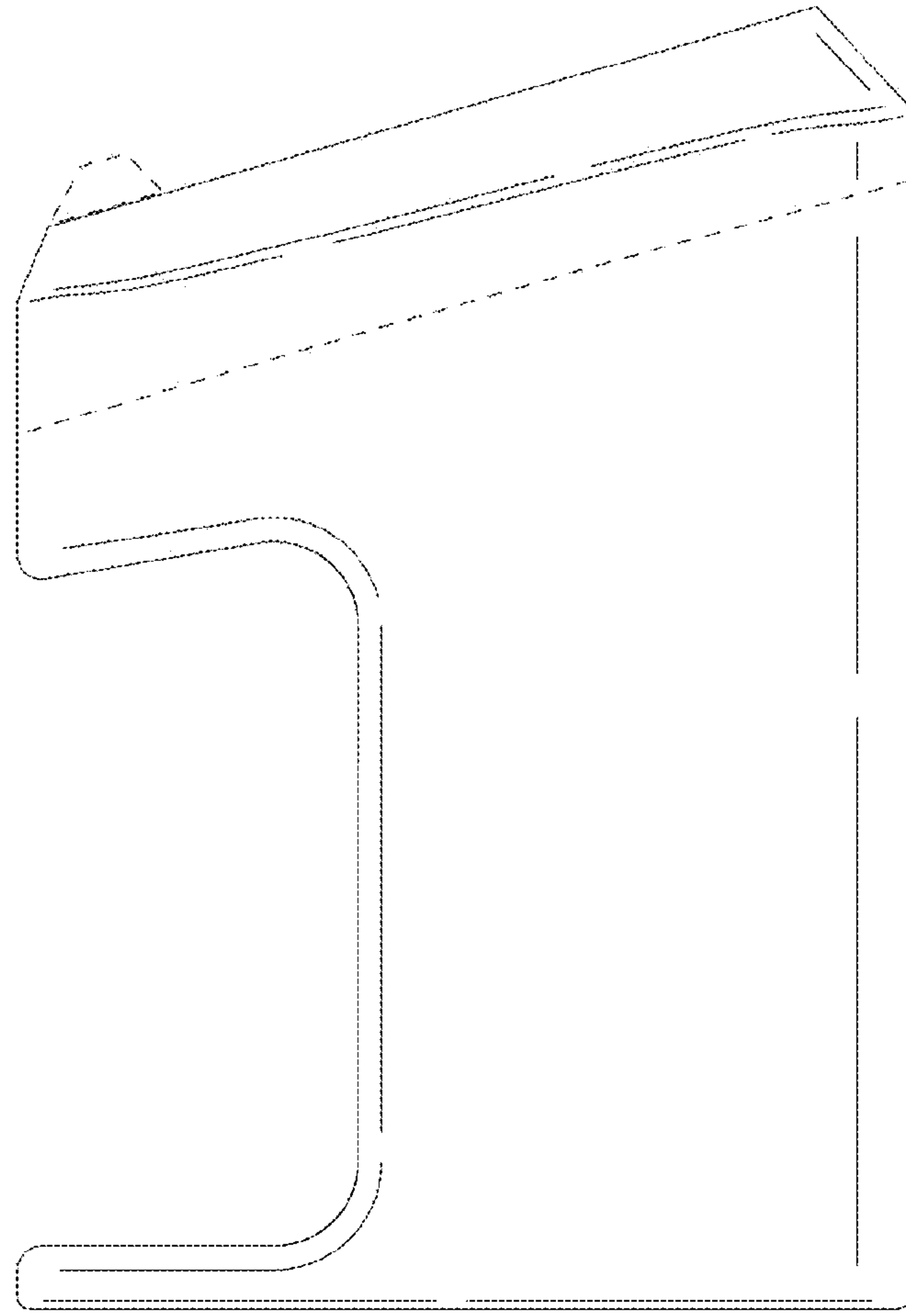


FIG. 3

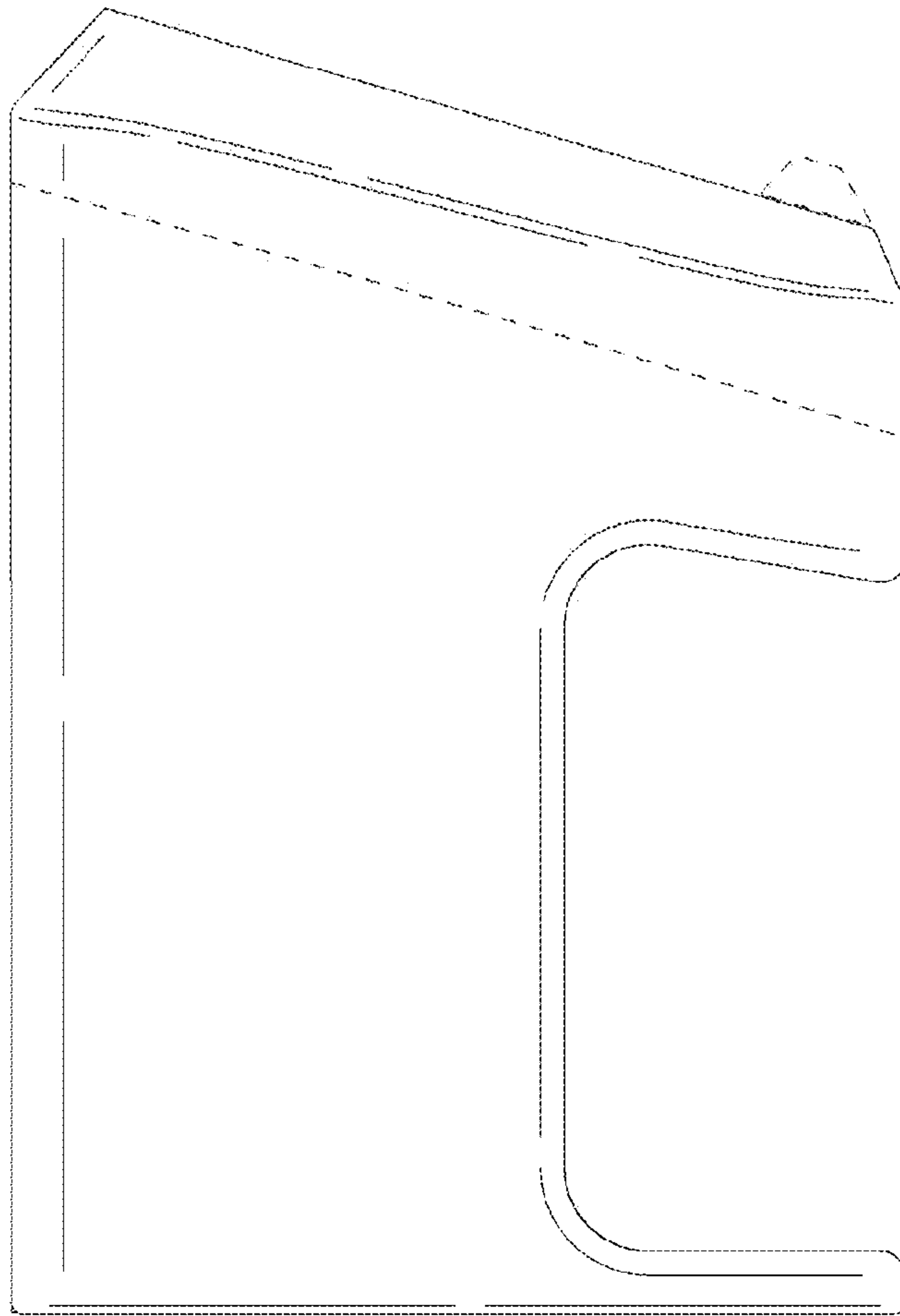


FIG. 4

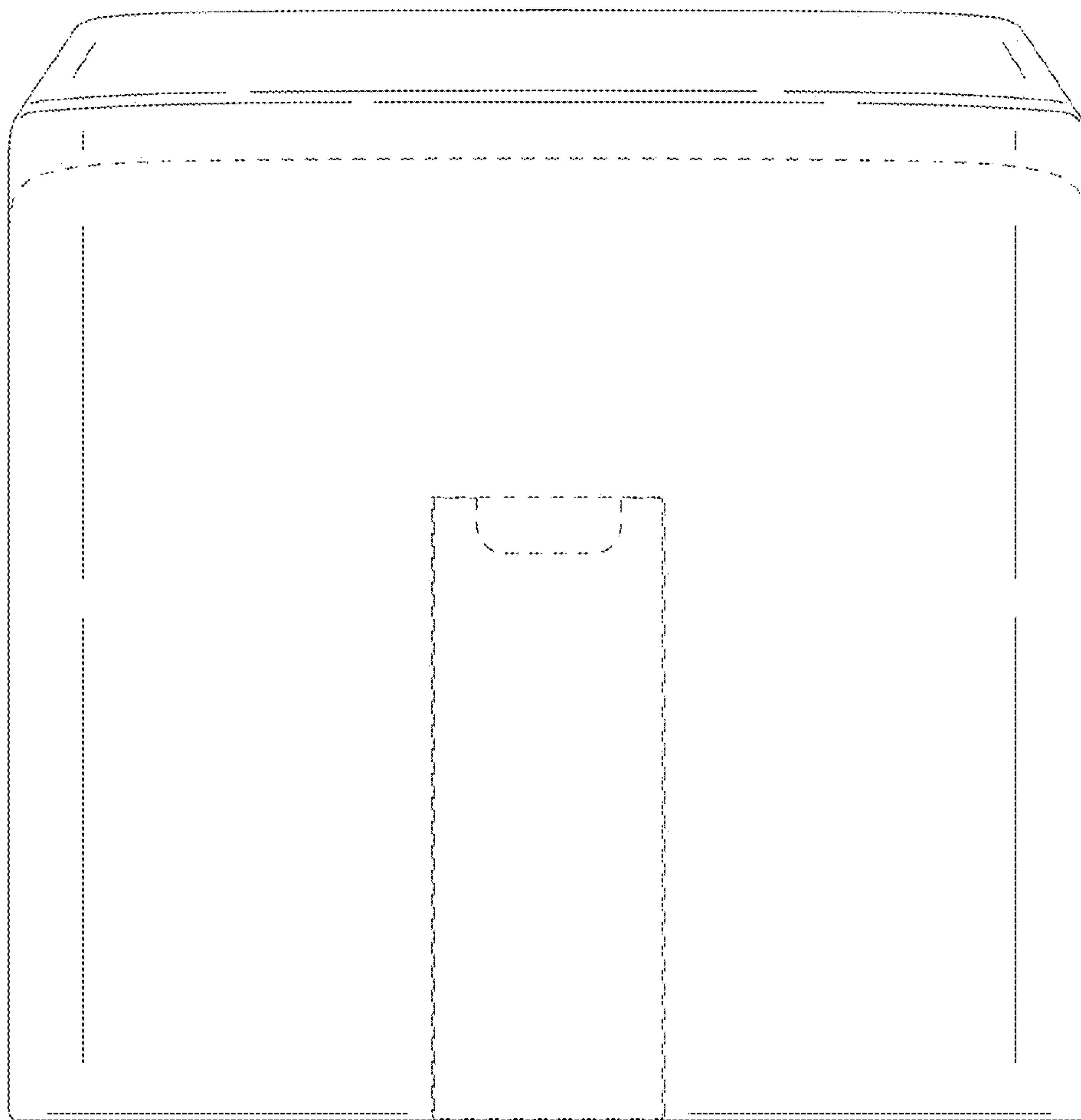


FIG. 5

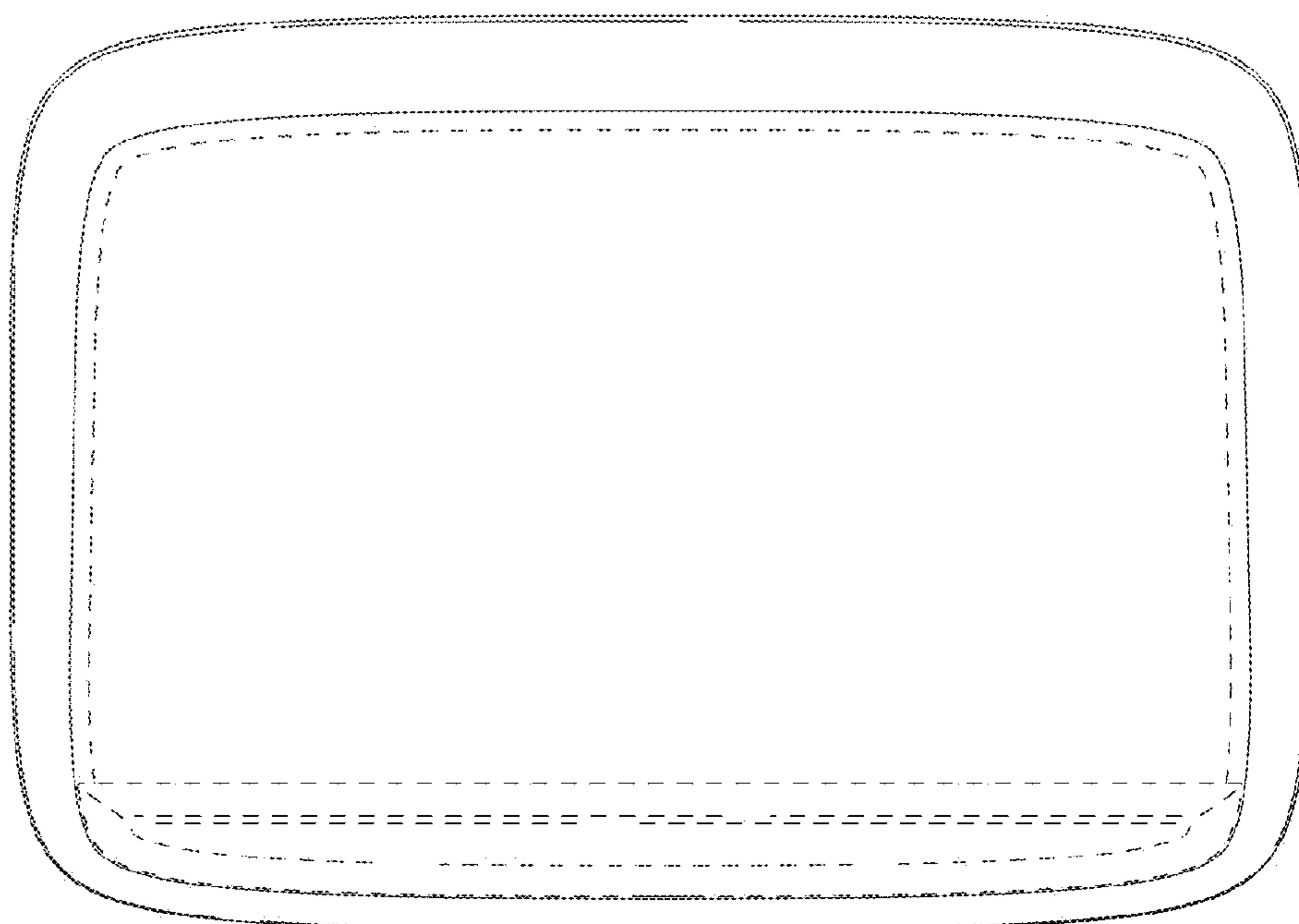


FIG. 6