



US00D702235S

(12) **United States Design Patent**  
**Jonsson et al.**

(10) **Patent No.:** **US D702,235 S**  
(45) **Date of Patent:** **\*\* Apr. 8, 2014**

(54) **COORDINATE INPUT DISPLAY DEVICE**

(75) Inventors: **Carl Jonsson**, Portland, OR (US); **Jason Martin**, Lake Oswego, OR (US); **Patrick Triato**, Portland, OR (US)

(73) Assignee: **Wacom Co., Ltd.**, Kazo-shi (JP)

(\*\*) Term: **14 Years**

(21) Appl. No.: **29/430,261**

(22) Filed: **Aug. 23, 2012**

(30) **Foreign Application Priority Data**

Feb. 23, 2012 (JP) ..... 2012-003778

(51) **LOC (10) Cl.** ..... **14-02**

(52) **U.S. Cl.**  
USPC ..... **D14/390**

(58) **Field of Classification Search**  
USPC ..... D14/388-390, 341, 383, 374, 381, 371,  
D14/129, 456; D19/52; D10/65; 178/18.01,  
178/18.03-18.09, 18.11; 345/173-178  
See application file for complete search history.

(56) **References Cited**

**U.S. PATENT DOCUMENTS**

4,611,406	A *	9/1986	Engstrom et al.	33/443
D451,505	S *	12/2001	Iseki et al.	D14/341
D466,501	S *	12/2002	Hirota	D14/339
D506,195	S *	6/2005	Leveridge et al.	D14/341
D528,541	S *	9/2006	Maskatia	D14/315
D533,149	S *	12/2006	Inoue	D14/126

(Continued)

**FOREIGN PATENT DOCUMENTS**

JP	D1267825	S	4/2006
JP	D1278341	S	8/2006
JP	D1278507	S	8/2006

**OTHER PUBLICATIONS**

Harper, P., et al., "Display," U.S. Appl. No. 29/407,361, filed Nov. 28, 2011.

(Continued)

*Primary Examiner* — Cathron Brooks

*Assistant Examiner* — Katie Mroczka

(74) *Attorney, Agent, or Firm* — Christensen O'Connor Johnson Kindness PLLC

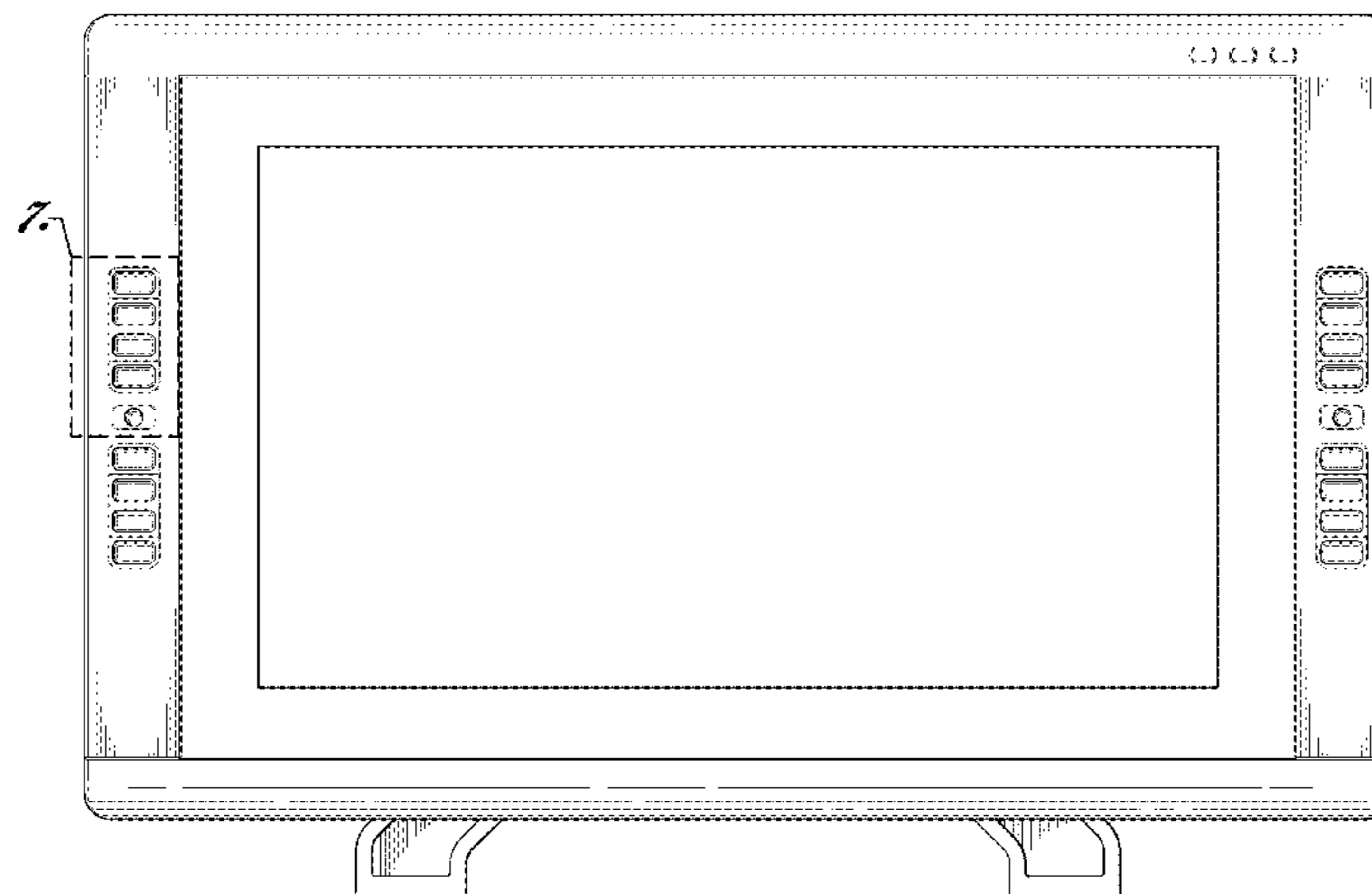
(57) **CLAIM**

The ornamental design for a coordinate input display device, as shown and described.

**DESCRIPTION**

FIG. 1 is a front elevation view of a coordinate input display device showing our new design; FIG. 2 is a rear elevation view thereof; FIG. 3 is a left side elevation view thereof; FIG. 4 is a right side elevation view thereof; FIG. 5 is a top plan view thereof; FIG. 6 is a bottom plan view thereof; FIG. 7 is a close-up view of a portion of FIG. 1; FIG. 8 is a bottom front right isometric view thereof; FIG. 9 is a top rear left isometric view thereof; FIG. 10 is a front elevation view of a coordinate input display device showing a variant of the design; FIG. 11 is a rear elevation view thereof; FIG. 12 is a left side elevation view thereof; FIG. 13 is a right side elevation view thereof; FIG. 14 is a top plan view thereof; FIG. 15 is a bottom plan view thereof; FIG. 16 is a bottom front right isometric view thereof; and, FIG. 17 is a top rear left isometric view thereof. The broken lines in the drawings illustrate portions of the coordinate input display device that form no part of the claimed design.

**1 Claim, 17 Drawing Sheets**



(56)

**References Cited**

U.S. PATENT DOCUMENTS

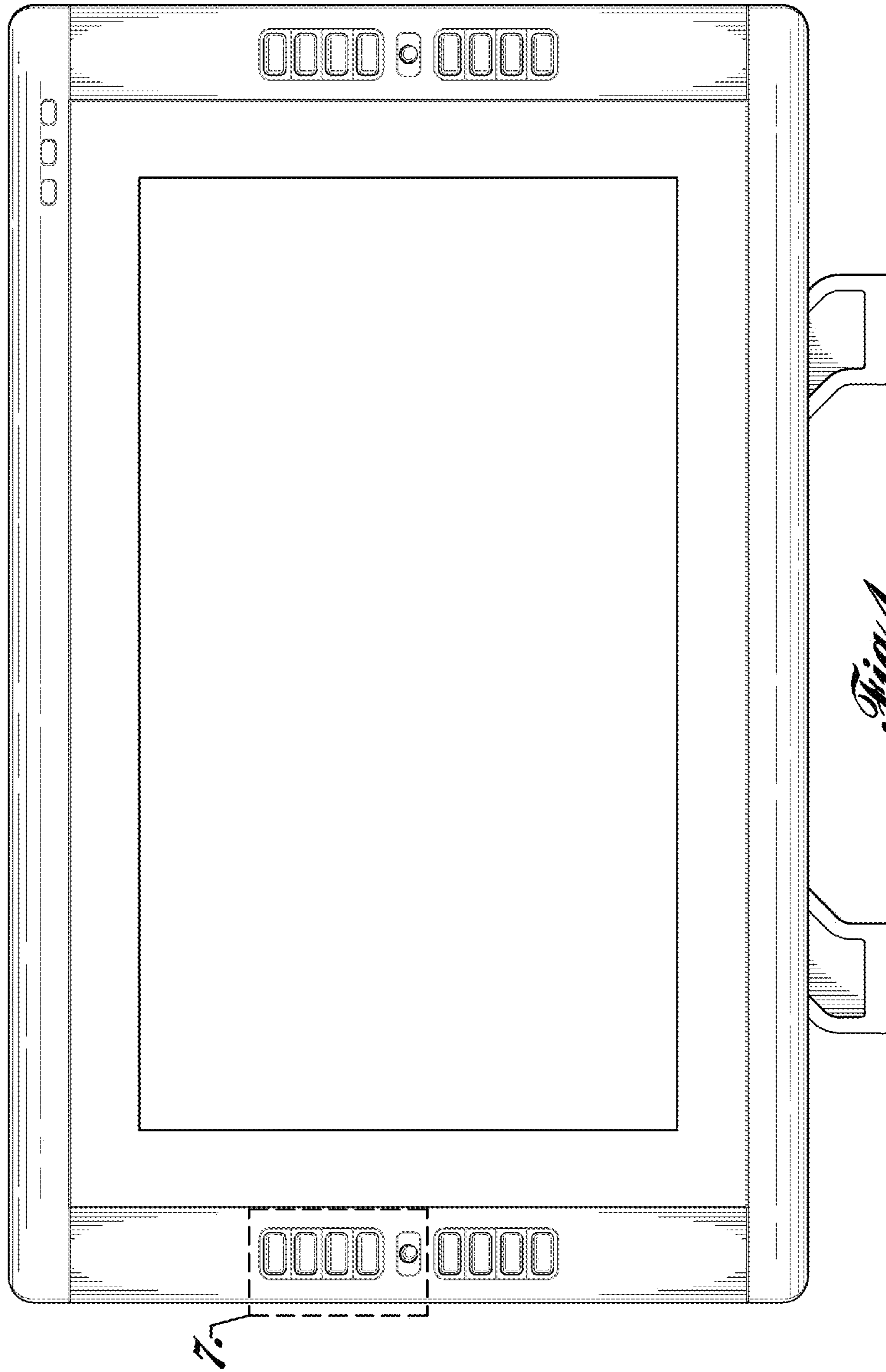
D564,990 S \* 3/2008 Ueno ..... D14/126  
D599,791 S \* 9/2009 Kuang et al. .... D14/314  
D600,455 S \* 9/2009 Nell ..... D6/308  
D600,695 S \* 9/2009 Niitsu et al. .... D14/371  
D603,862 S \* 11/2009 Skinner et al. .... D14/337  
D606,071 S \* 12/2009 Wu et al. .... D14/336  
D613,951 S \* 4/2010 Tang et al. .... D6/308  
D614,617 S \* 4/2010 Pepper et al. .... D14/336  
D642,174 S 7/2011 Hirota

D642,385 S \* 8/2011 Lee et al. .... D6/308  
8,194,132 B2 \* 6/2012 Dayan et al. .... 348/148  
D666,616 S \* 9/2012 Tang et al. .... D14/341  
D666,620 S 9/2012 Harper

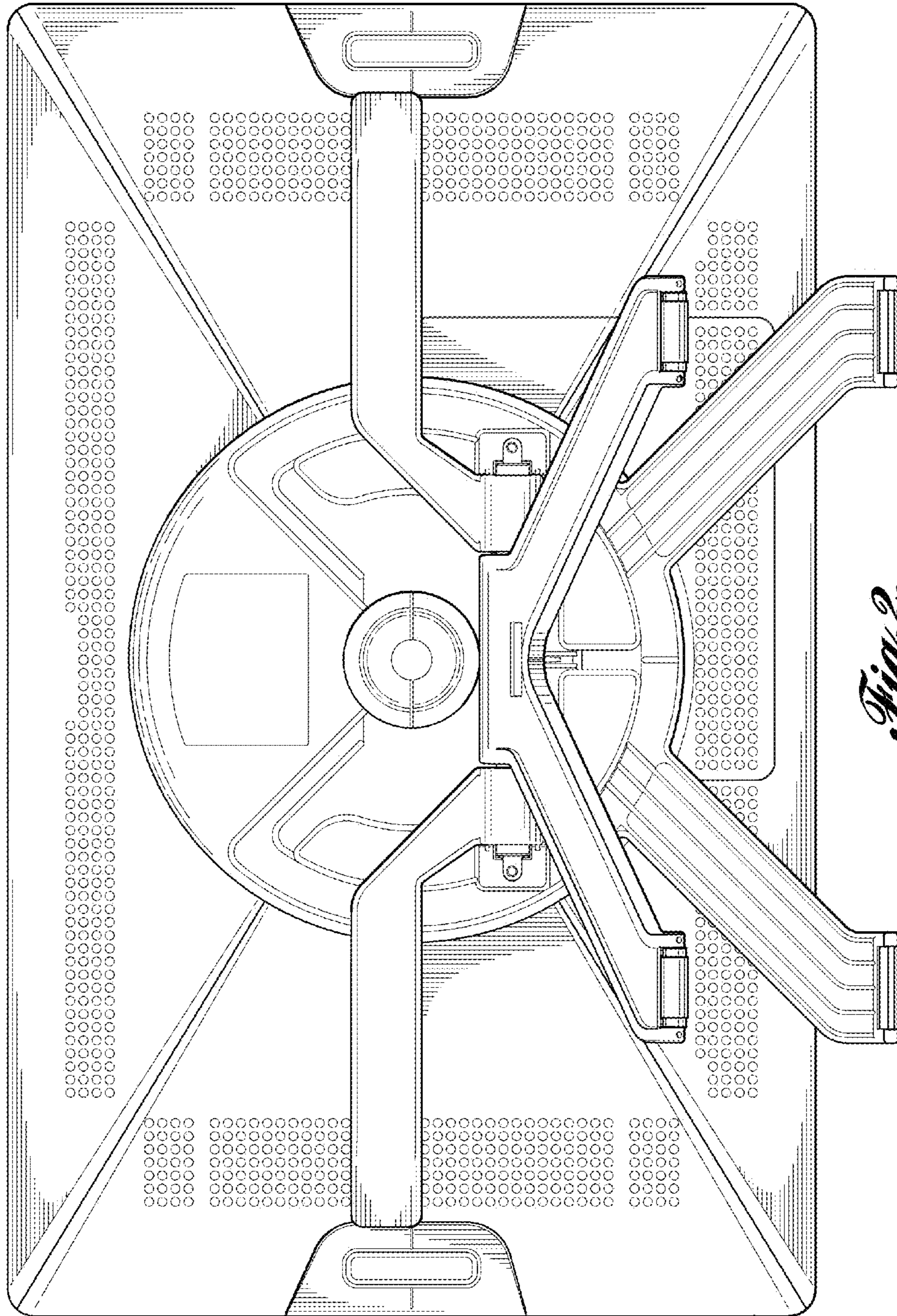
OTHER PUBLICATIONS

Harper, P., et al., "Display and Stand," U.S. Appl. No. 29/407,360,  
filed Nov. 28, 2011.  
Harper, P., et al., "Display and Stand," U.S. Appl. No. 29/407,375,  
filed Nov. 28, 2011.

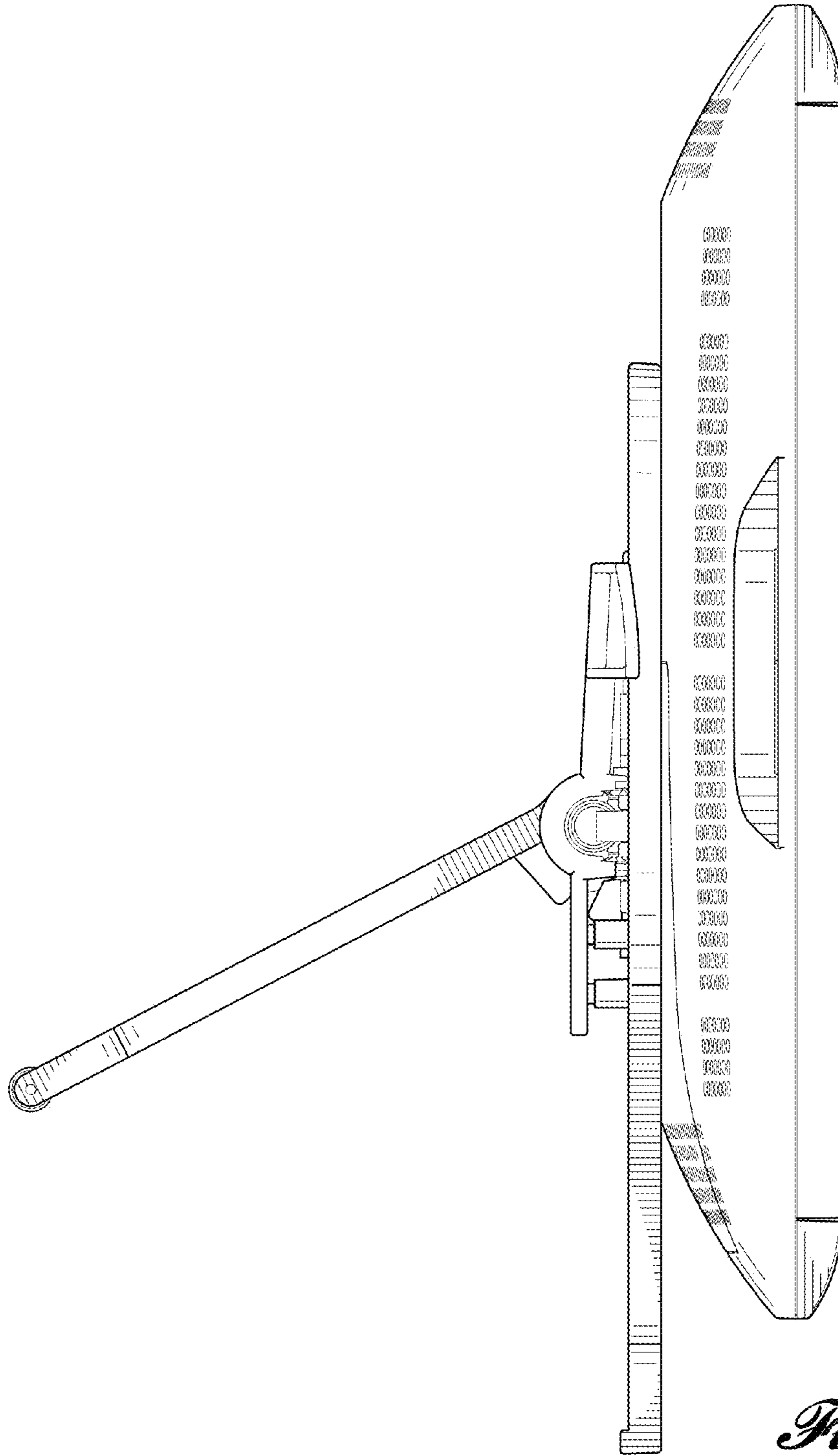
\* cited by examiner



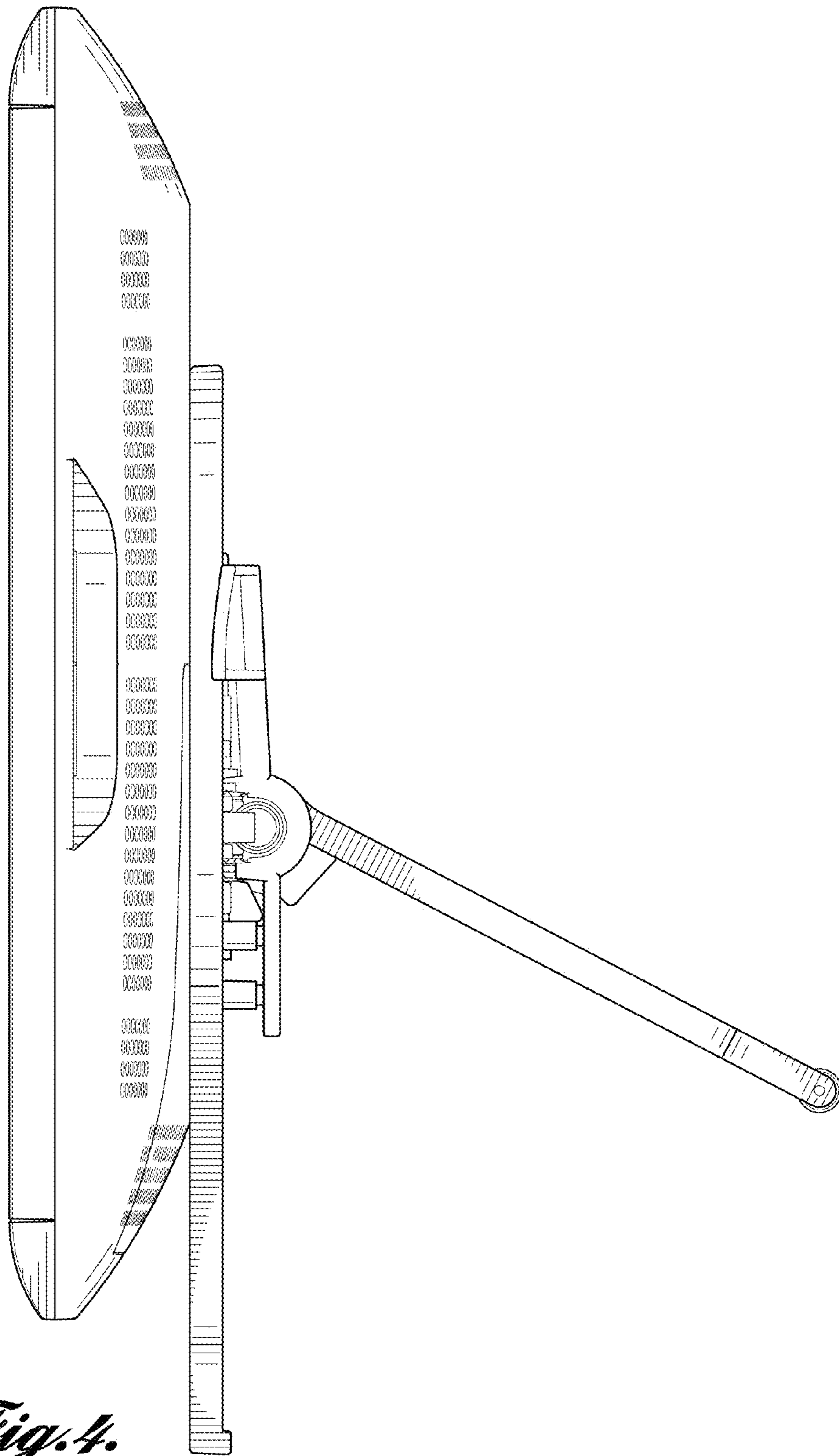
*Fig. 1.*



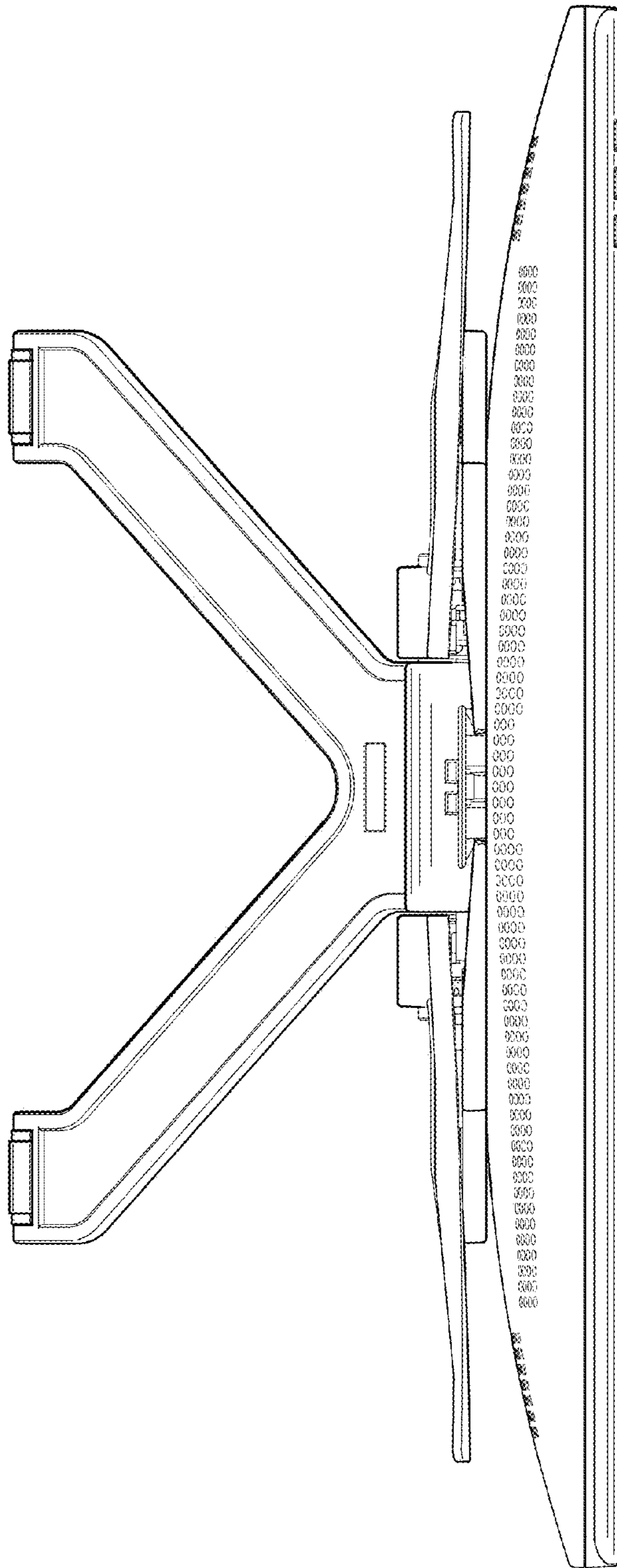
*Fig. 2.*



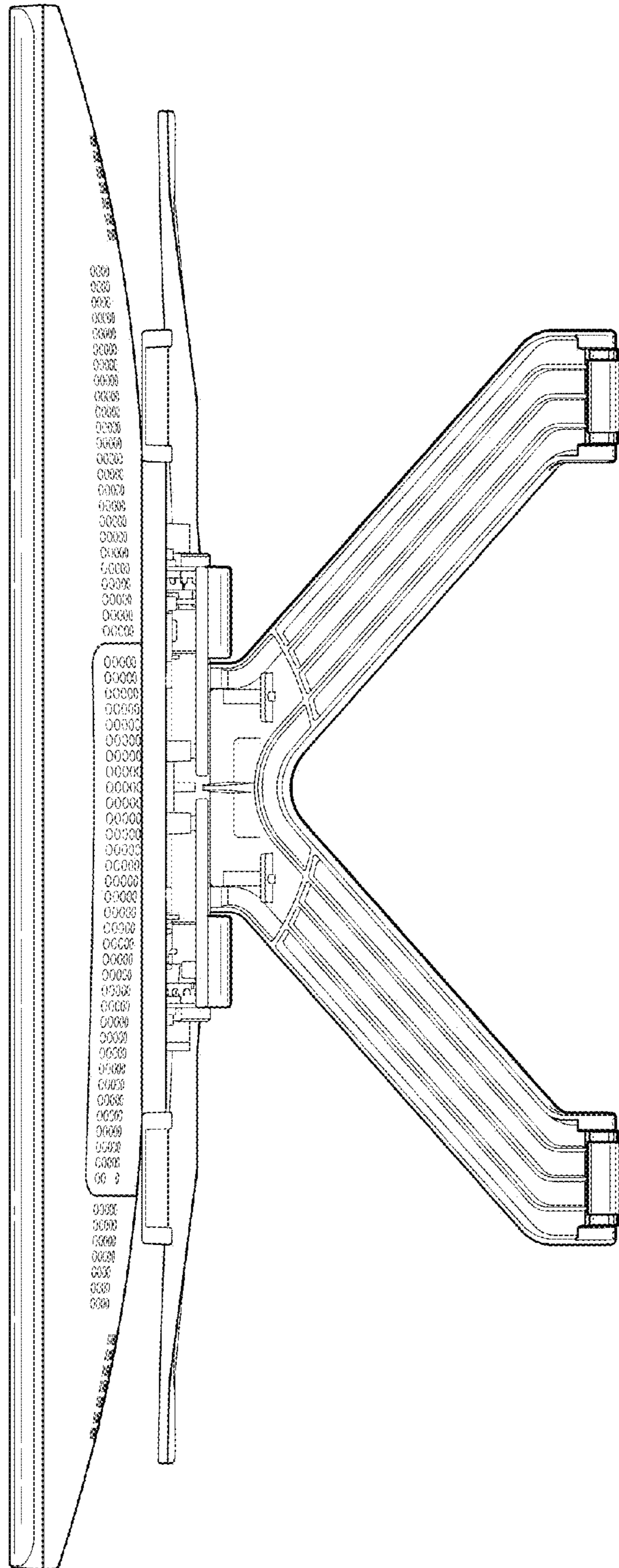
*Fig. 3.*



*Fig. 4.*

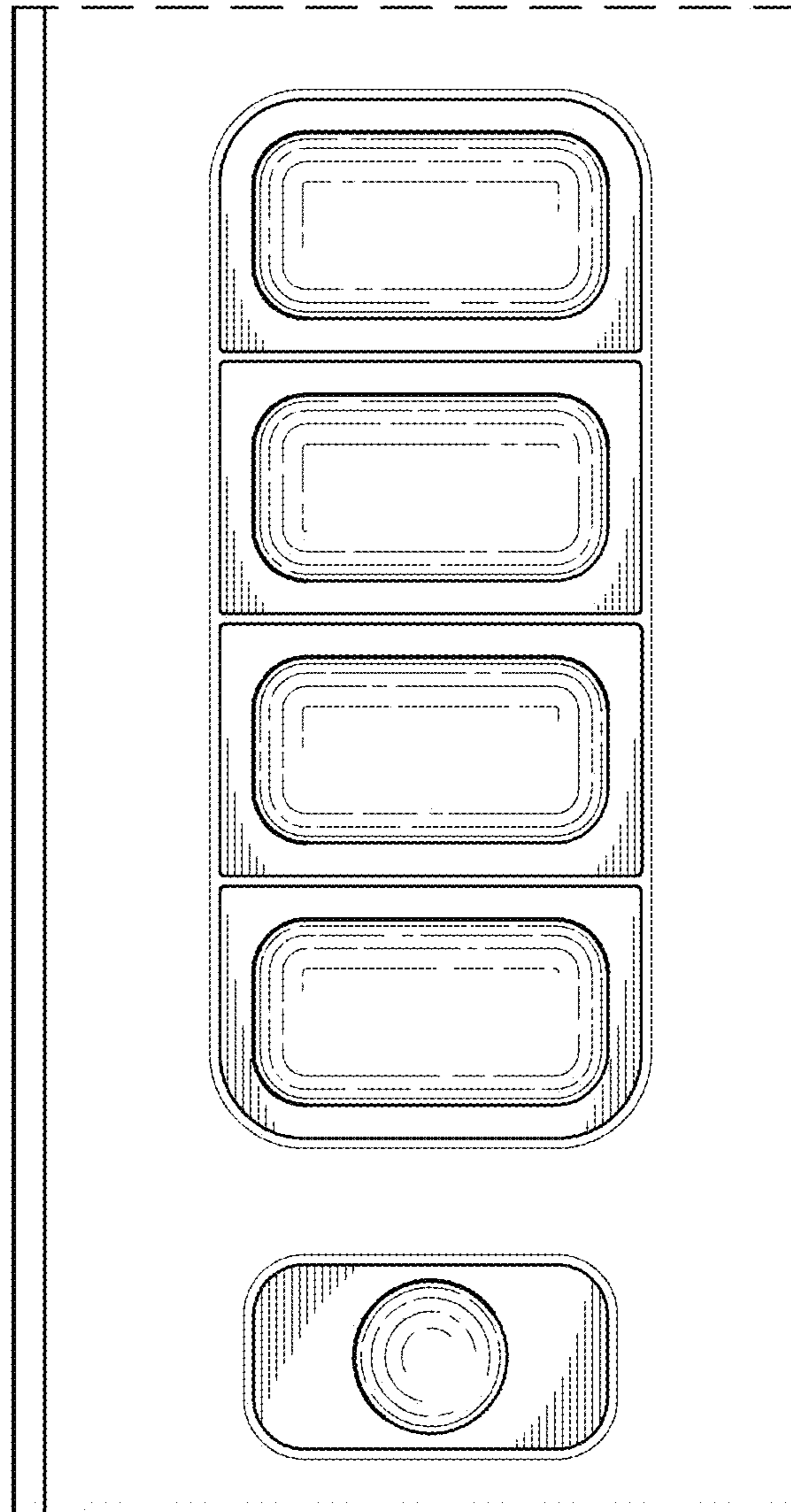


*Fig. 5.*

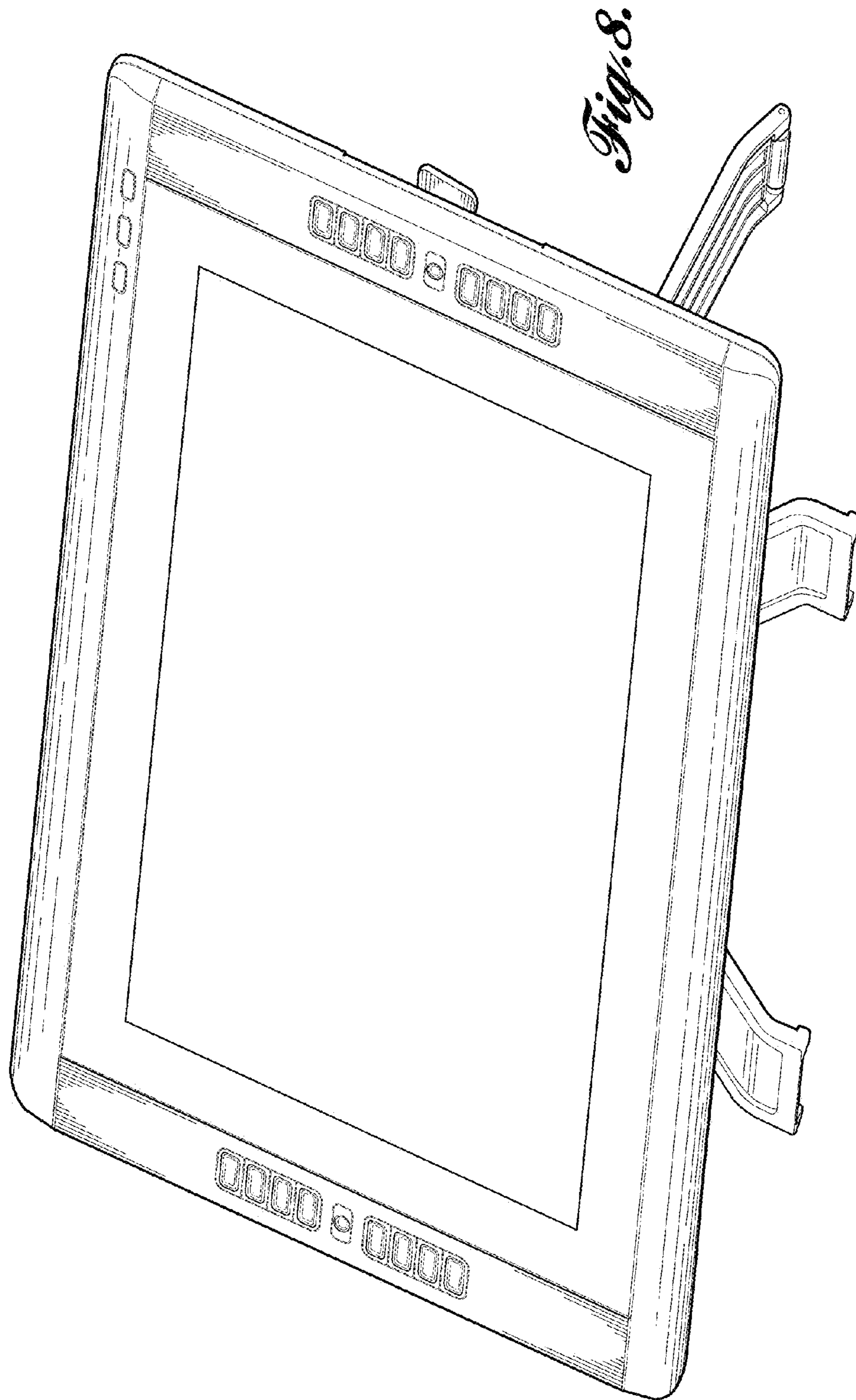


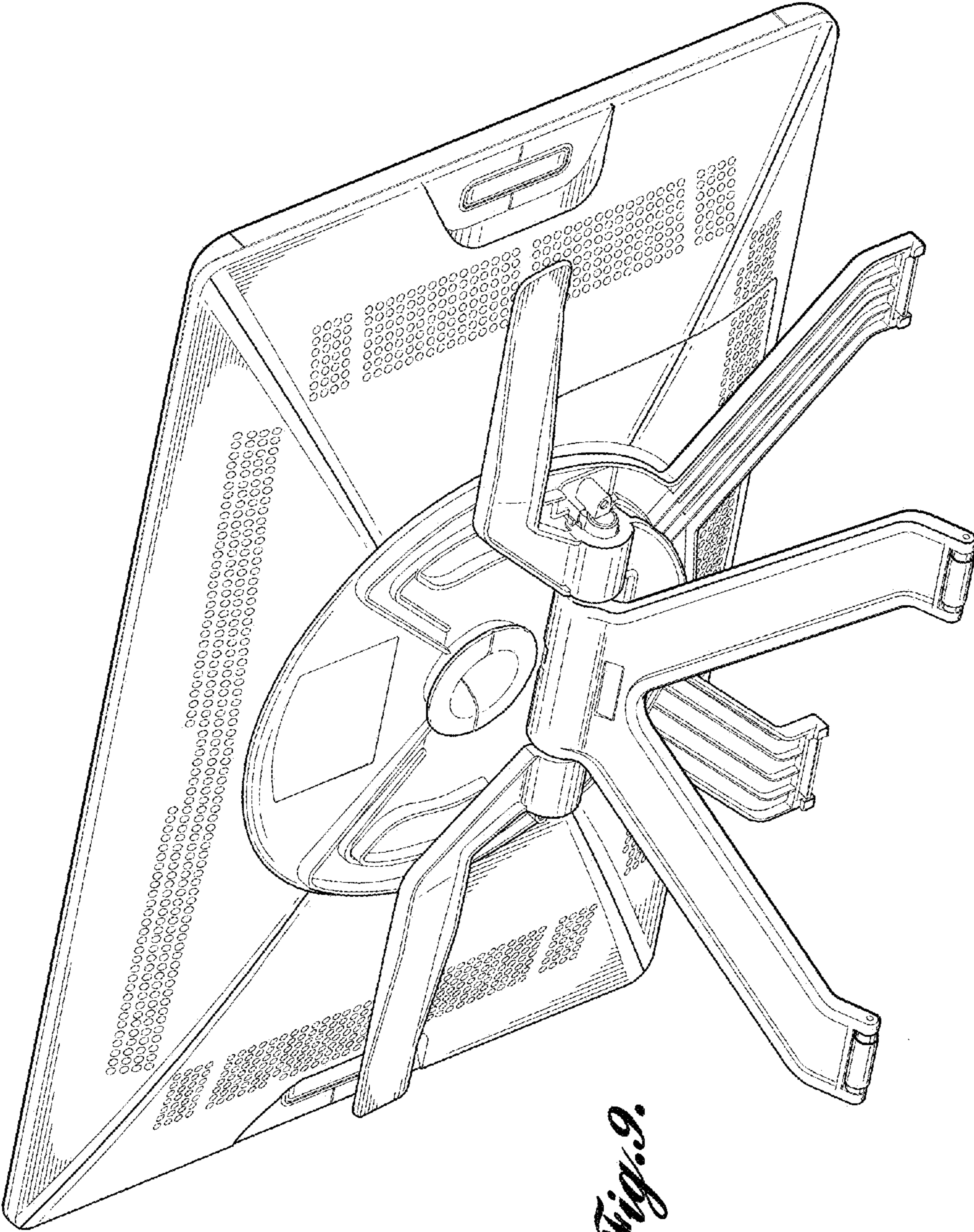
*Fig. 6.*



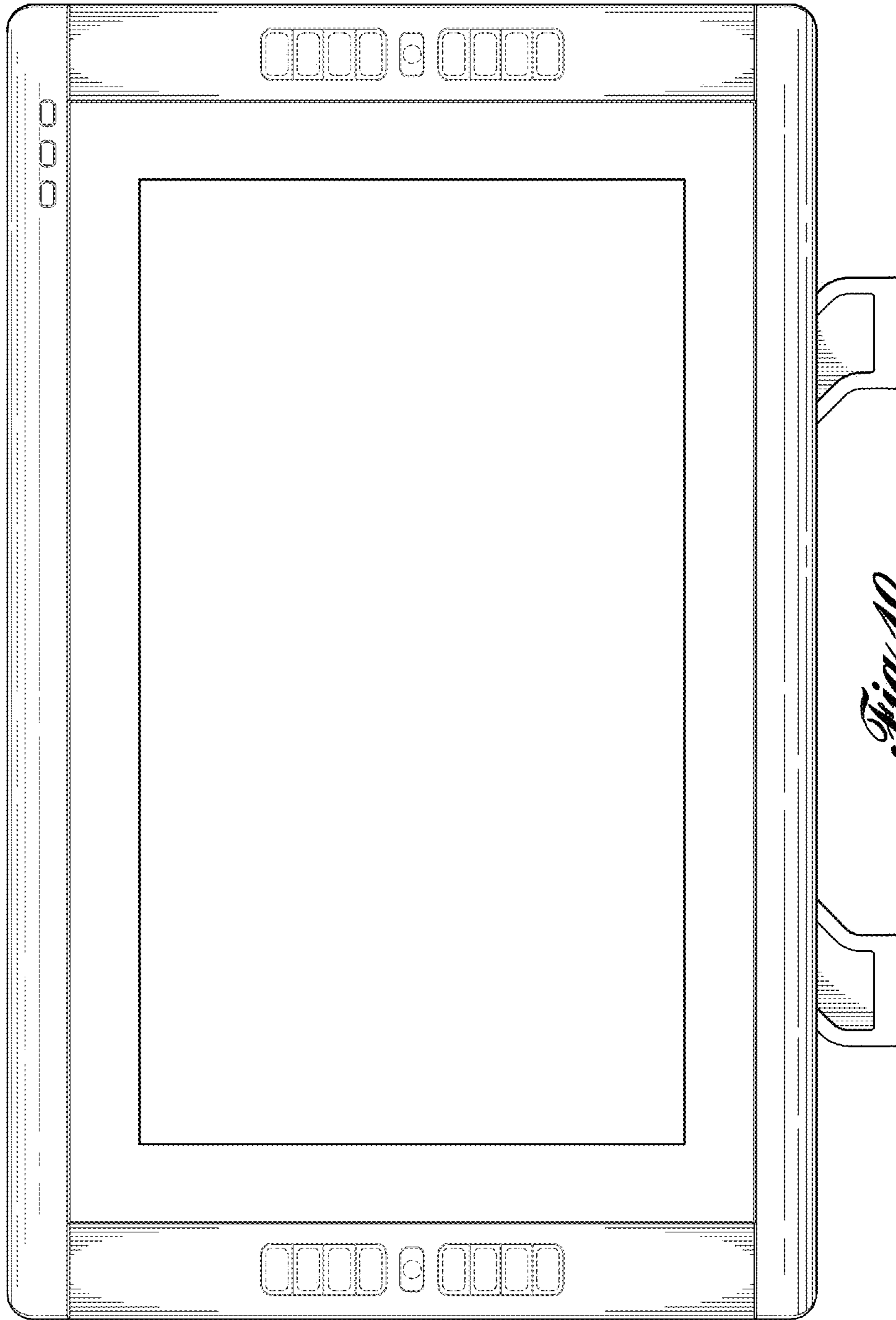


*Fig. 7.*

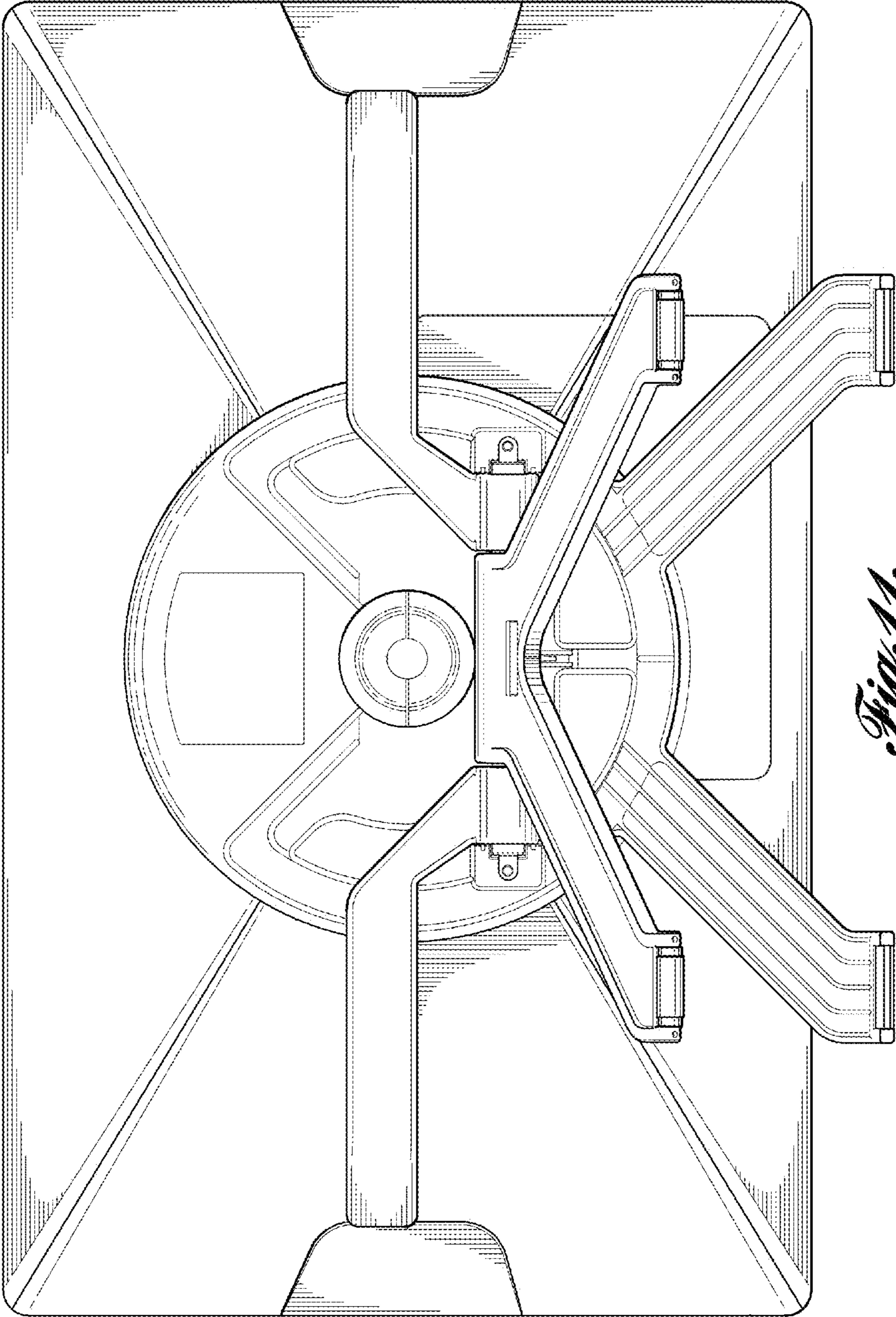




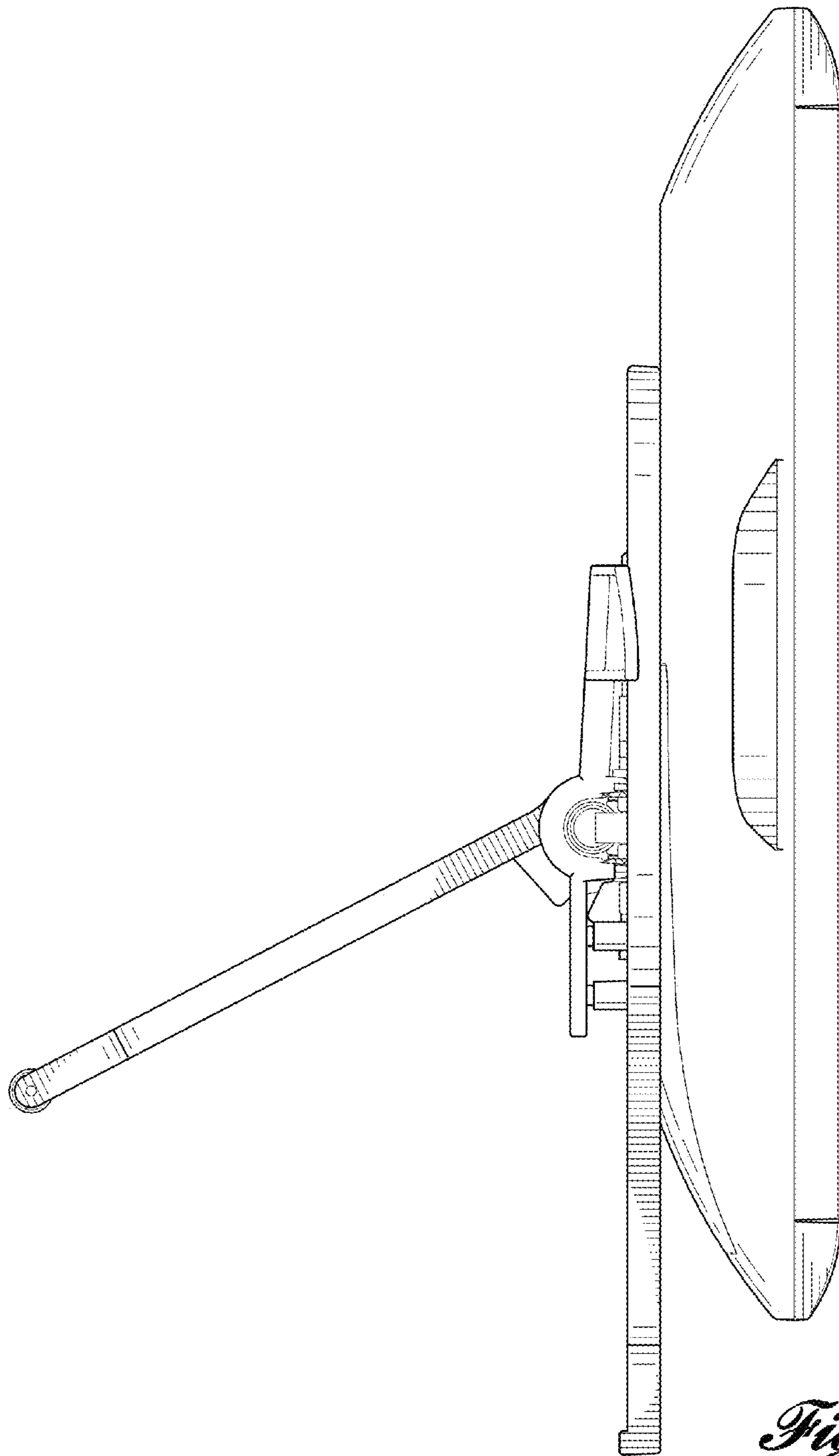
*Fig. 9.*



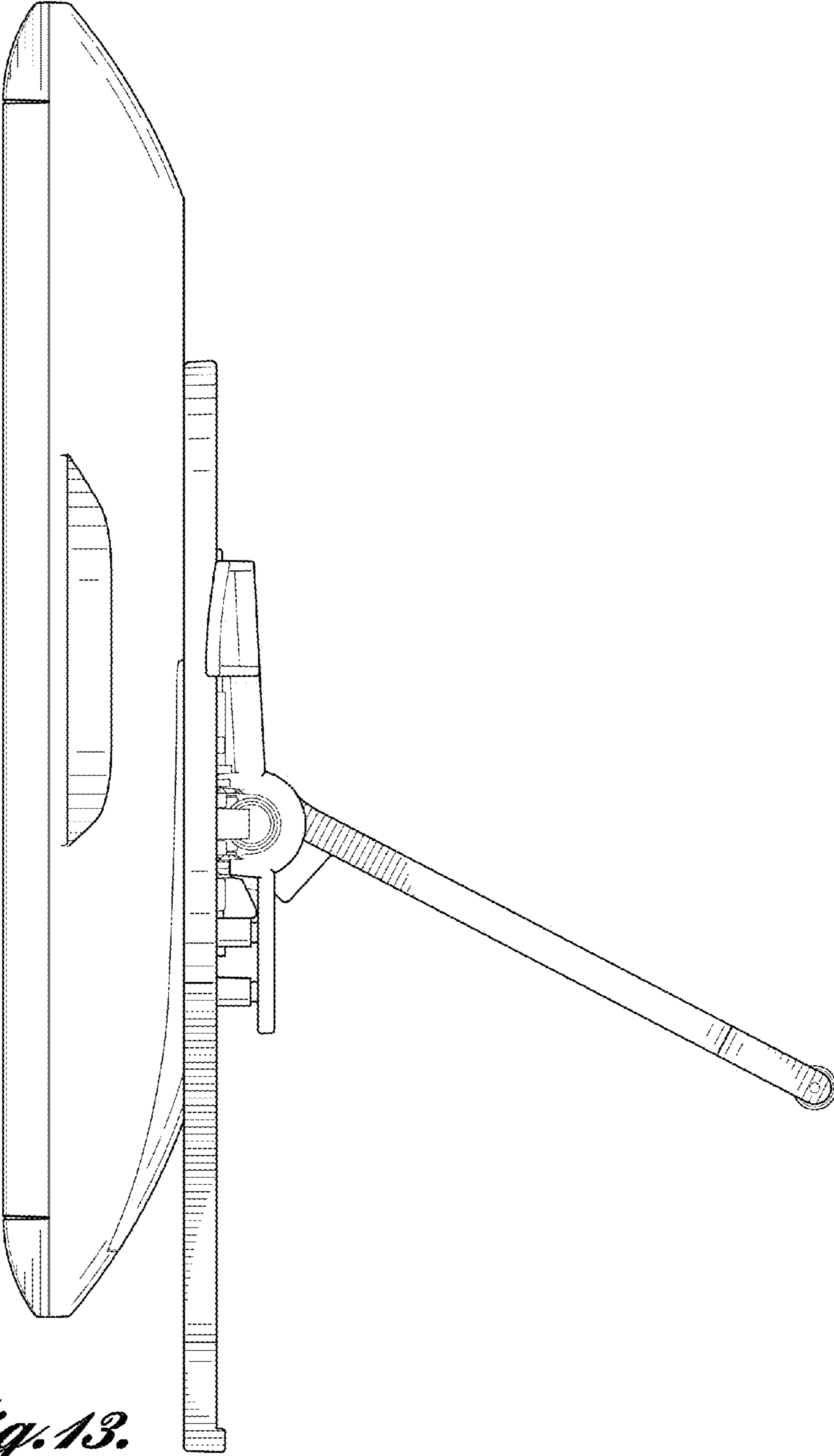
*Fig. 10.*



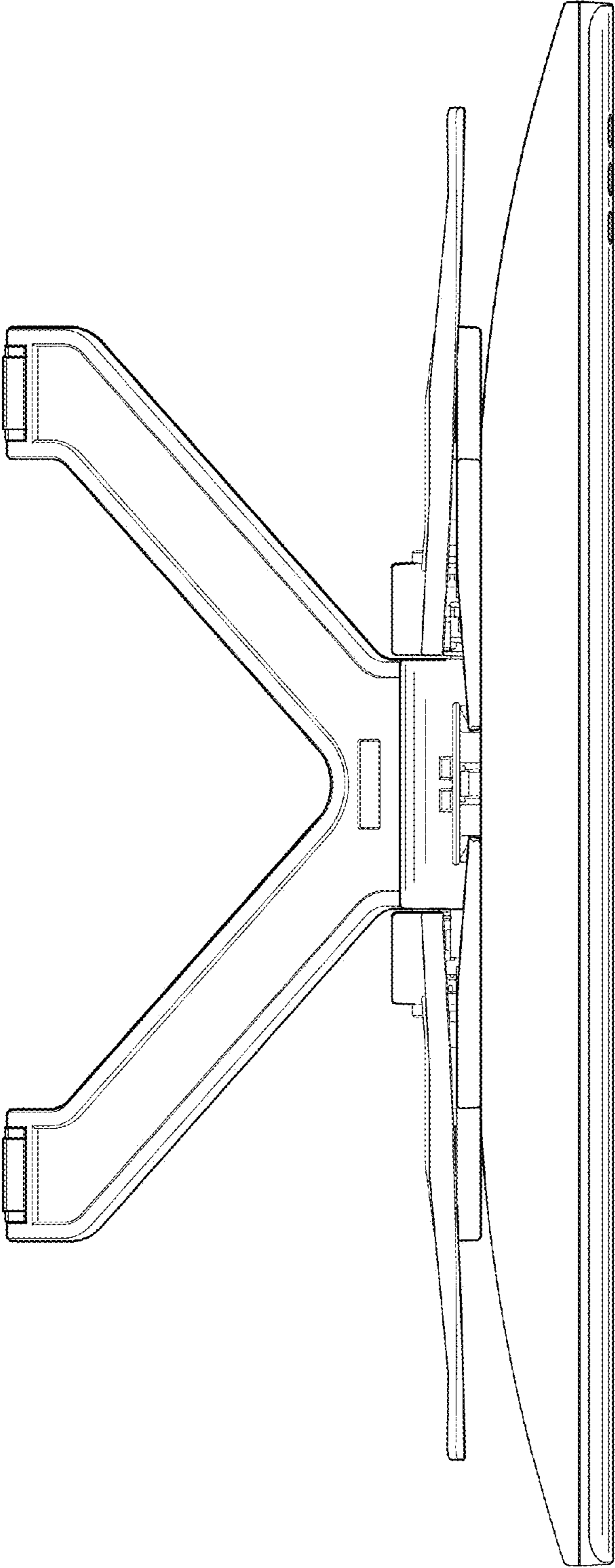
*Fig. 11.*



*Fig. 12.*

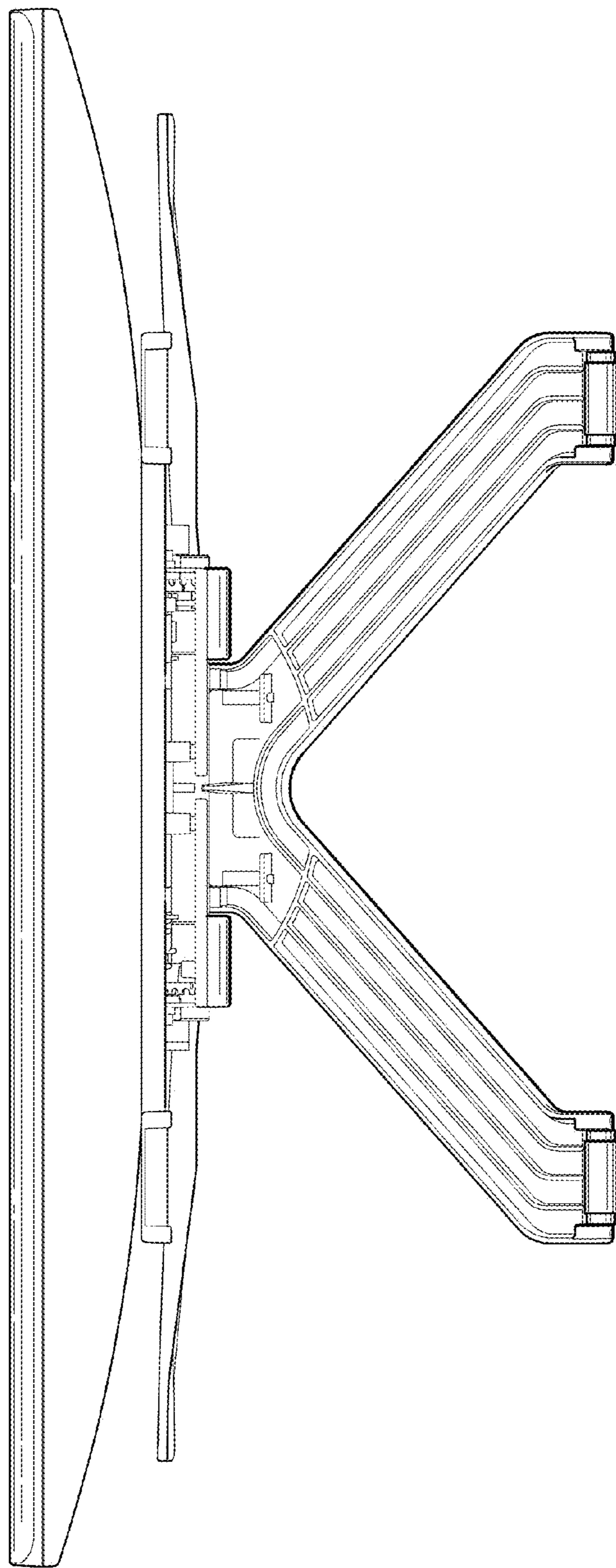


*Fig. 13.*

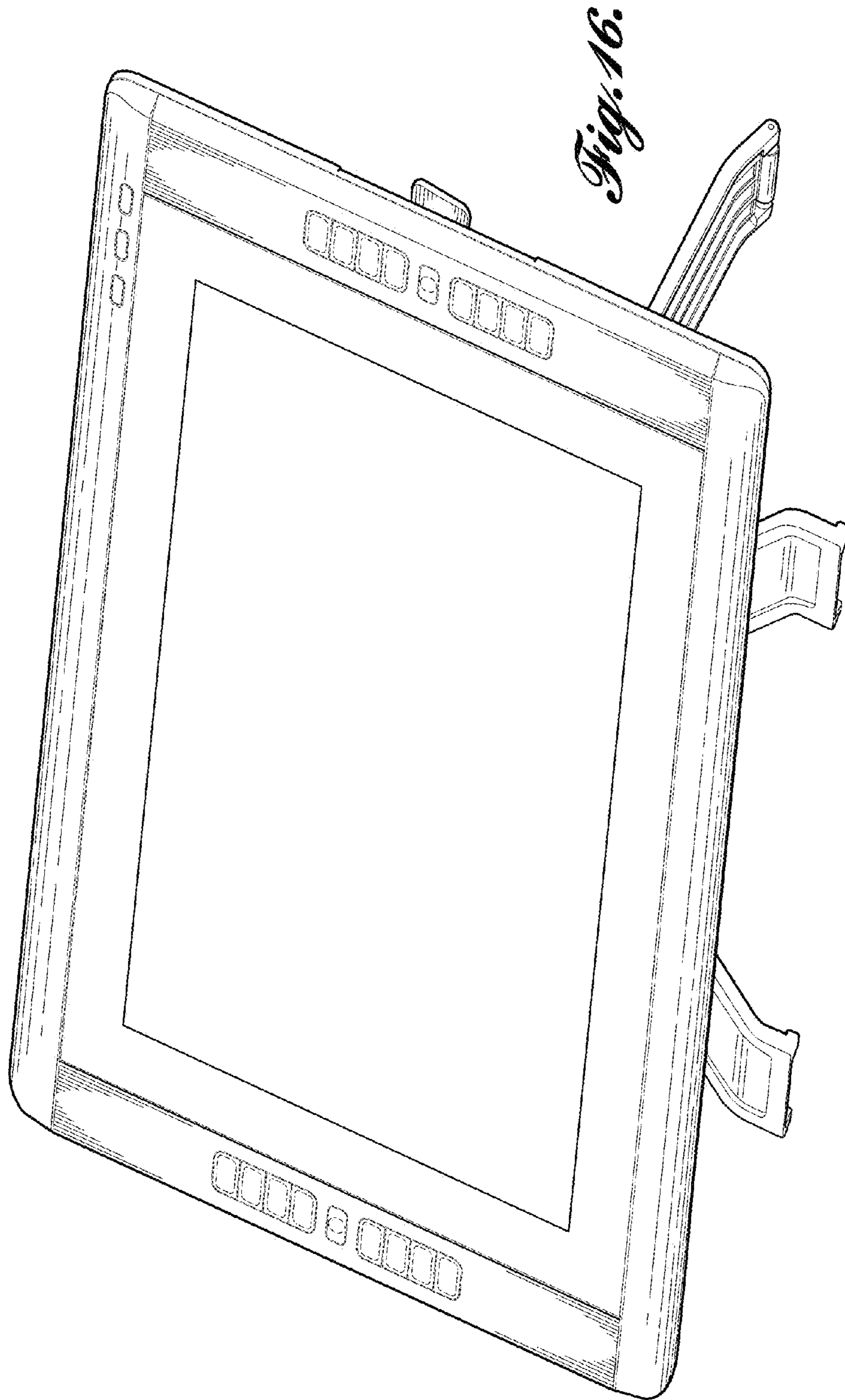


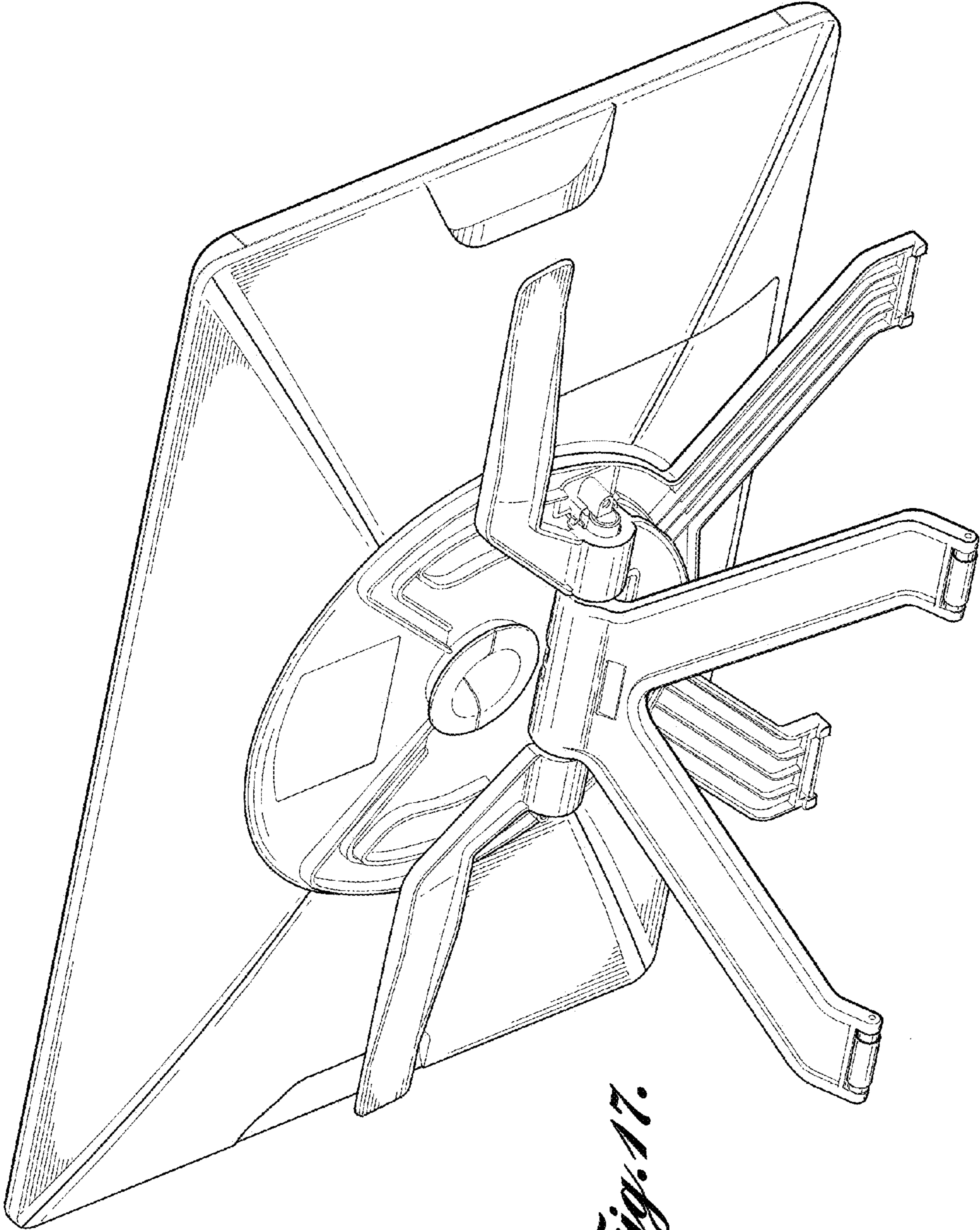
*Fig. 14.*





*Fig. 15.*





*Fig. 17.*