



US00D702234S

(12) **United States Design Patent**  
**Pombo et al.**

(10) **Patent No.:** **US D702,234 S**  
(45) **Date of Patent:** **\*\* Apr. 8, 2014**

- (54) **FOLDED HEAD SET COMPUTER**
- (71) Applicant: **Kopin Corporation**, Taunton, MA (US)
- (72) Inventors: **Stephen A. Pombo**, Campbell, CA (US);  
**Jeffrey J. Jacobsen**, Hollister, CA (US);  
**Temujin W. Kuechle**, Santa Cruz, CA (US);  
**Raphael Hebert**, Santa Cruz, CA (US);  
**David Diepersloot**, Scotts Valley, CA (US)
- (73) Assignee: **Kopin Corporation**, Westborough, MA (US)

D440,967 S	4/2001	Jung	
D444,155 S *	6/2001	Morooka et al. ....	D14/496
D517,066 S	3/2006	Travers et al.	
D521,493 S	5/2006	Wai	
D538,269 S	3/2007	Tragatschnig	
D571,366 S	6/2008	Lee	
D640,256 S	6/2011	So	
D645,862 S	9/2011	Paul	
D669,471 S	10/2012	Hwang et al.	
D692,424 S	10/2013	Pombo	
2002/0015008 A1	2/2002	Kishida et al.	
2011/0249122 A1	10/2011	Tricoukes et al.	
2012/0068914 A1	3/2012	Jacobsen et al.	
2013/0285886 A1	10/2013	Pombo	

- (\*\*) Term: **14 Years**
  - (21) Appl. No.: **29/449,154**
  - (22) Filed: **Mar. 14, 2013**
  - (51) **LOC (10) Cl.** ..... **14-02**
  - (52) **U.S. Cl.**  
USPC ..... **D14/372**
  - (58) **Field of Classification Search**  
USPC ..... D14/372, 496, 432, 371, 125, 126, 129,  
D14/299; D16/300-342; 351/158, 153, 144;  
345/7-9, 905; 455/344; 348/115, 53,  
348/121, 739
- See application file for complete search history.

**OTHER PUBLICATIONS**

Notification and Transmittal of the International Search Report and Written Opinion of PCT/US2013/036403 entitled "Collapsible Headset Computer" dated Jul. 3, 2013.

\* cited by examiner

*Primary Examiner* — Austin Murphy  
(74) *Attorney, Agent, or Firm* — Hamilton, Brook, Smith & Reynolds, P.C.

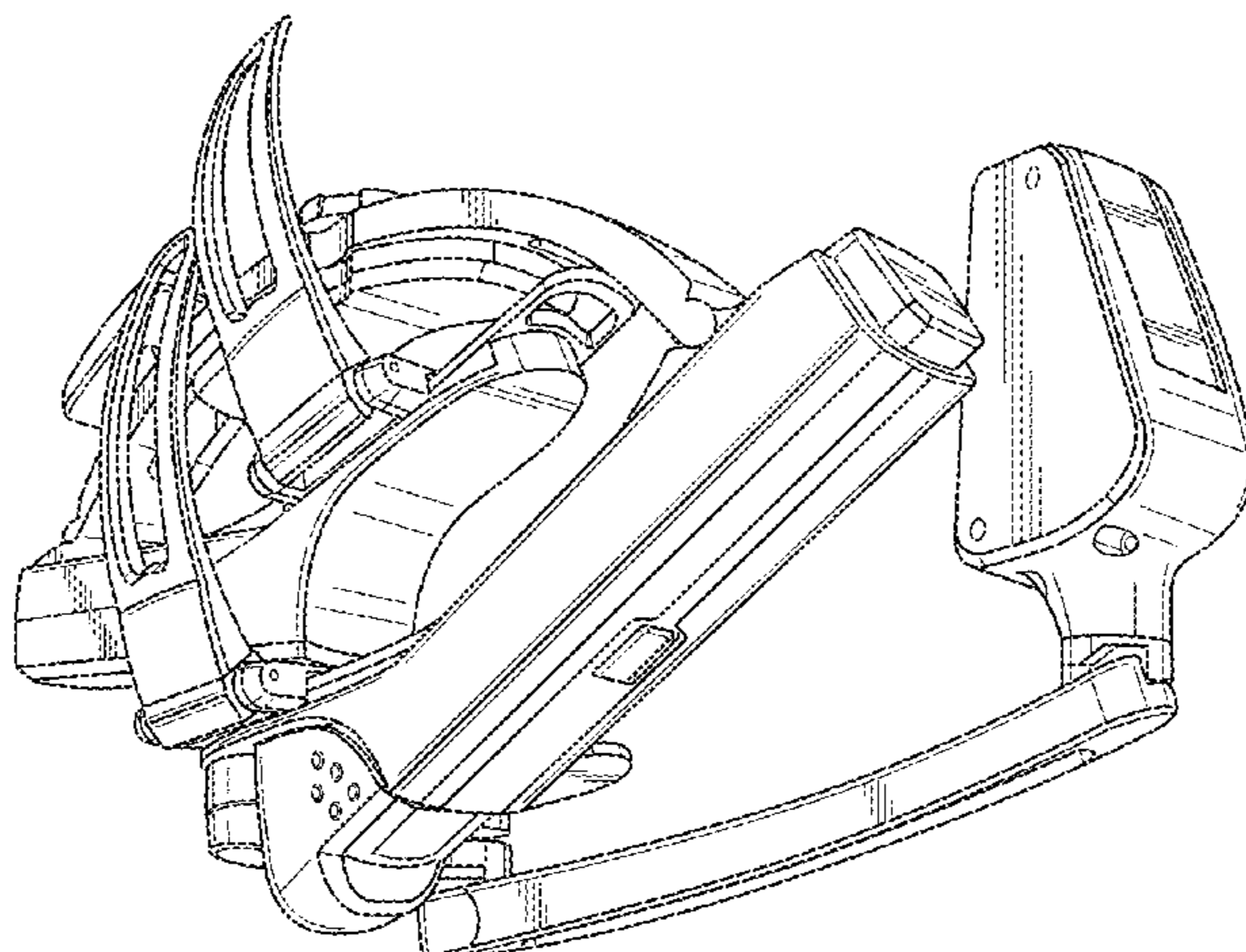
(57) **CLAIM**  
The ornamental design for a folded head set computer, as shown and described.

**DESCRIPTION**

FIG. 1 is a top view of the folded head set computer illustrating the Applicant's new design.  
FIG. 2 is a bottom view of the folded head set computer.  
FIG. 3 is a front view of the folded head set computer.  
FIG. 4 is a back view of the folded head set computer.  
FIG. 5 is a right view of the folded head set computer.  
FIG. 6 is a left view of the folded head set computer; and,  
FIG. 7 is a front perspective view of the folded head set computer.

**1 Claim, 6 Drawing Sheets**

- (56) **References Cited**  
U.S. PATENT DOCUMENTS
- |               |         |                       |         |
|---------------|---------|-----------------------|---------|
| D338,514 S    | 8/1993  | Holmes                |         |
| D363,482 S    | 10/1995 | Robinson et al.       |         |
| 5,486,841 A * | 1/1996  | Hara et al. ....      | 345/8   |
| D369,595 S    | 5/1996  | Kober et al.          |         |
| D370,909 S    | 6/1996  | Oikawa et al.         |         |
| D375,495 S *  | 11/1996 | MacIness et al. ....  | D14/372 |
| D380,482 S *  | 7/1997  | Shimasaki et al. .... | D16/100 |
| D383,455 S *  | 9/1997  | MacInnes et al. ....  | D14/372 |
| D427,982 S *  | 7/2000  | Ishii .....           | D14/372 |
| D439,265 S    | 3/2001  | Hayashi               |         |



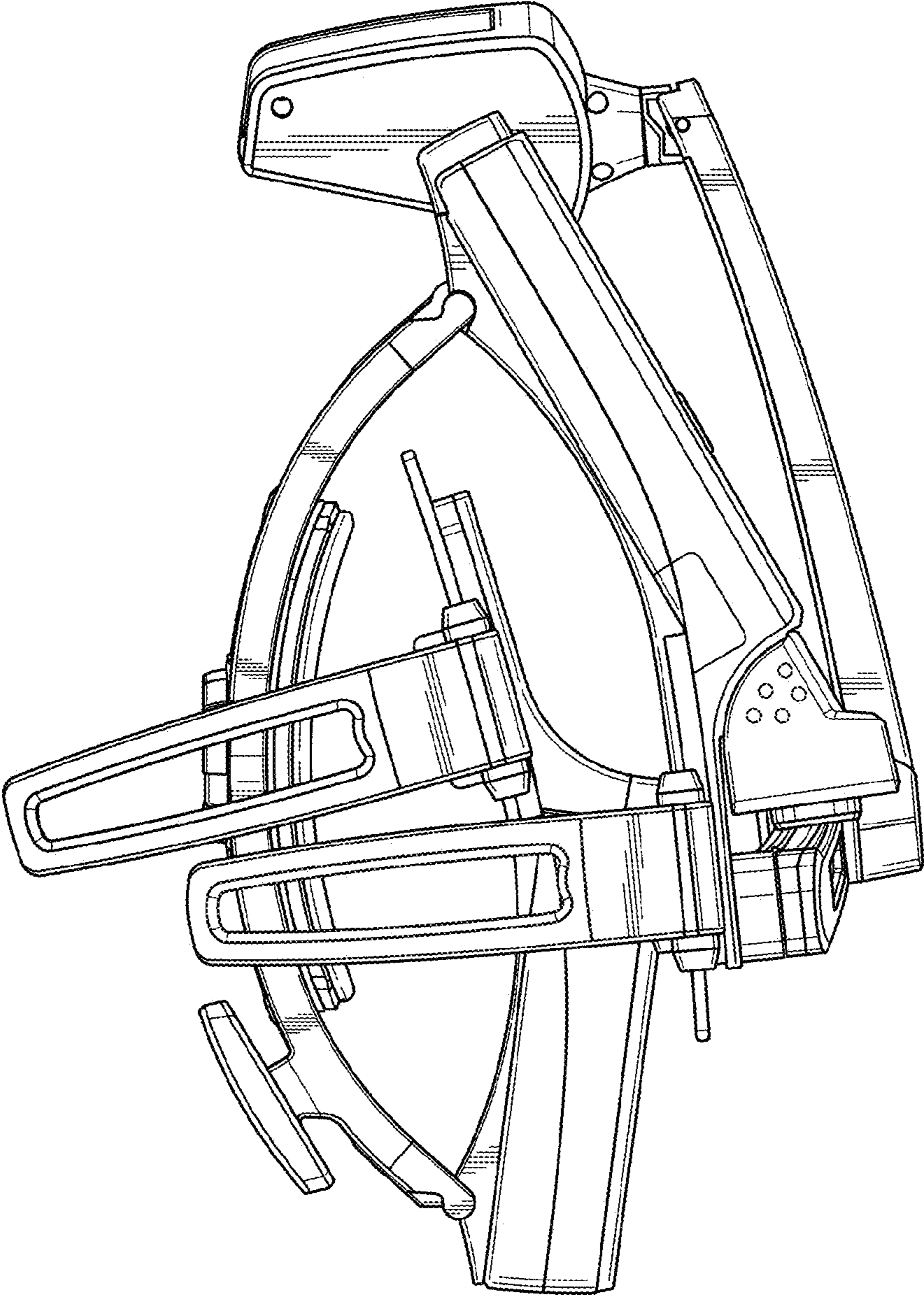


FIG. 1

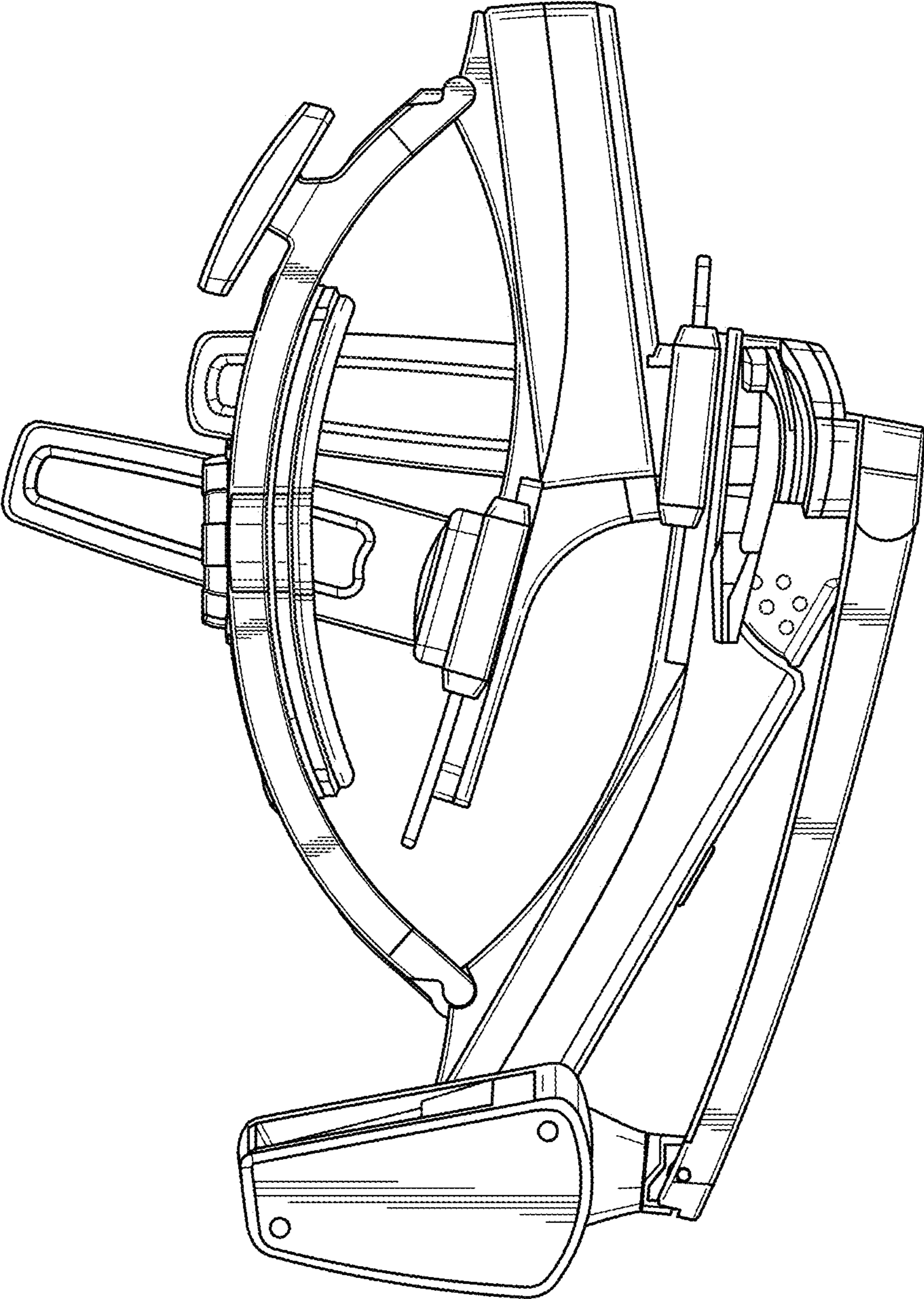


FIG. 2



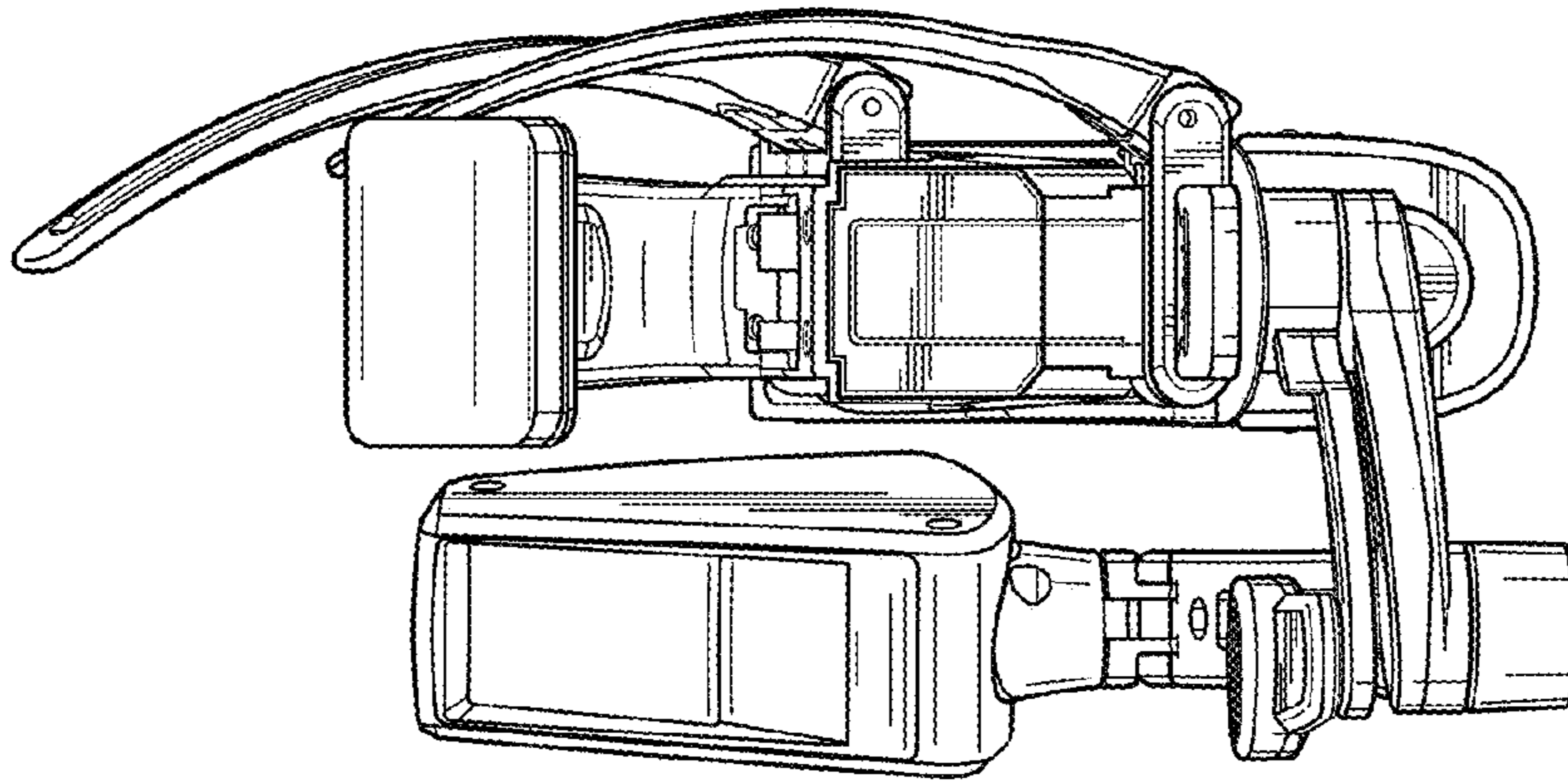


FIG. 4

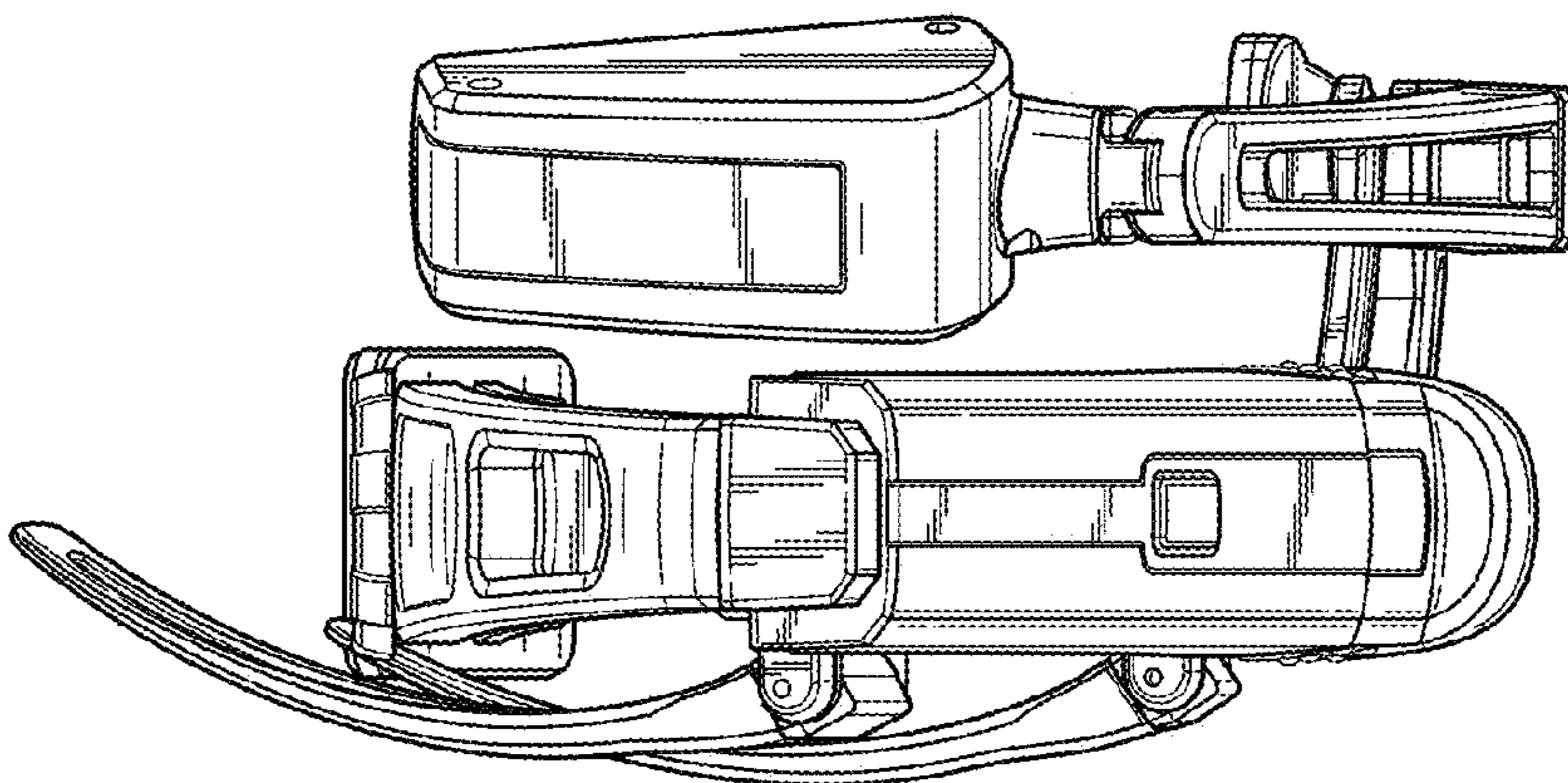


FIG. 3

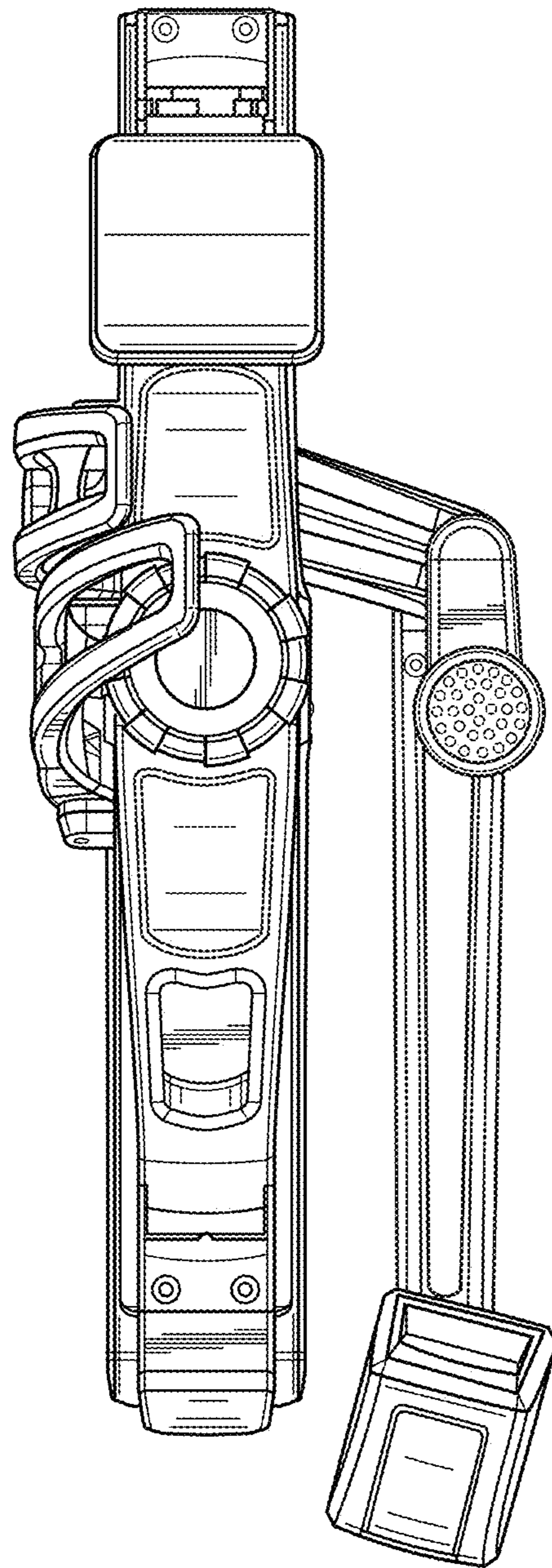


FIG. 5

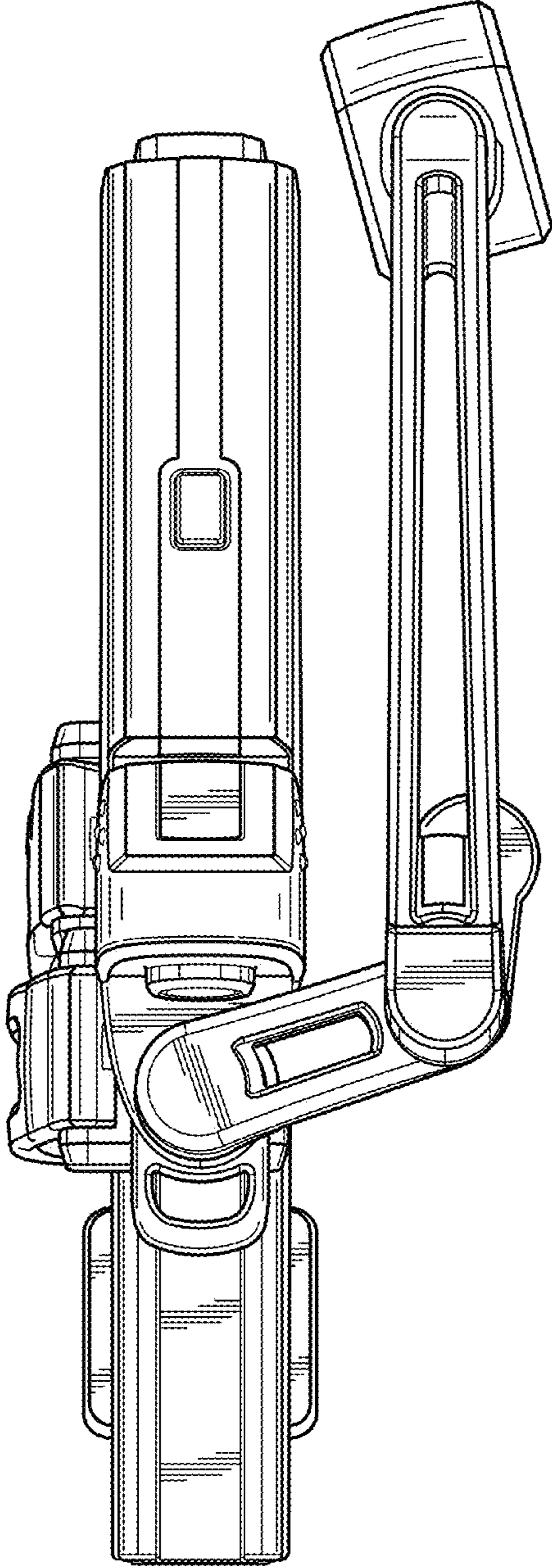


FIG. 6

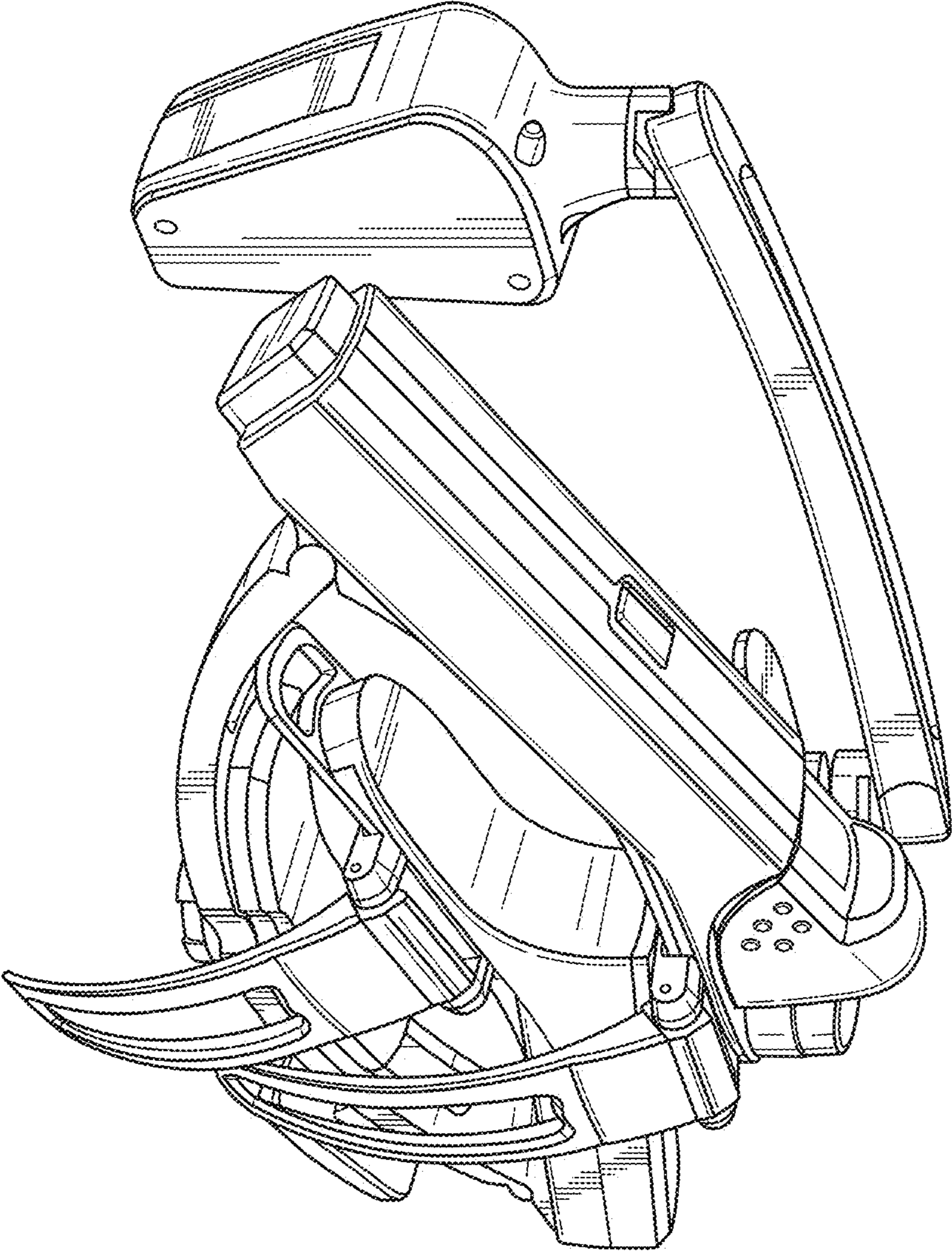


FIG. 7



UNITED STATES PATENT AND TRADEMARK OFFICE  
**CERTIFICATE OF CORRECTION**

PATENT NO. : D702,234 S  
APPLICATION NO. : 29/449154  
DATED : April 8, 2014  
INVENTOR(S) : Stephen A. Pombo et al.

Page 1 of 1

It is certified that error appears in the above-identified patent and that said Letters Patent is hereby corrected as shown below:

On the Title Page: Item (71) Applicant: delete "Kopin Corporation, Taunton, MA" and replace it with  
-- Kopin Corporation, Westborough MA --

Signed and Sealed this  
Third Day of June, 2014



Michelle K. Lee  
*Deputy Director of the United States Patent and Trademark Office*