



US00D702233S

(12) **United States Design Patent**
Lee et al.

(10) **Patent No.:** **US D702,233 S**
(45) **Date of Patent:** **** Apr. 8, 2014**

(54) **TABLET COMPUTER**

(75) Inventors: **Sang-Eun Lee**, Seoul (KR); **Ik-Sang Kim**, Seoul (KR)

(73) Assignee: **Samsung Electronics Co., Ltd.**, Suwon-Si (KR)

(**) Term: **14 Years**

(21) Appl. No.: **29/431,774**

(22) Filed: **Sep. 11, 2012**

(30) **Foreign Application Priority Data**

Apr. 30, 2012 (KR) 30-2012-0020971

(51) **LOC (10) Cl.** **14-02**

(52) **U.S. Cl.**
USPC **D14/341**; D14/346

(58) **Field of Classification Search**
USPC D14/341-347, 137, 138 AA, 138 R, D14/138 C, 138 G, 496, 203.1, 203.3, 203.7, D14/426, 129, 130, 420, 147, 218, 247-248, D14/389, 388, 315-318; D10/65, 104.1; D18/6-7; D21/324, 329, 330; 455/556.1, 556.2, 566, 575.1, 90.3; 379/433.04, 433.01, 433.06, 916; 345/173, 901, 905; 361/679.26, 361/679.27, 679.3, 679.55, 679.56, 361/680-686; 248/917-924; 348/373, 376; D19/60

See application file for complete search history.

(56) **References Cited**

U.S. PATENT DOCUMENTS

D284,084 S 6/1986 Ferrara, Jr.
D306,583 S 3/1990 Krolopp et al.
D333,574 S 3/1993 Ackeret
D337,569 S 7/1993 Kando
D361,552 S * 8/1995 Iino D14/341
D500,991 S 1/2005 Niitsu

D504,889 S 5/2005 Andre et al.
D532,791 S 11/2006 Kim
D563,804 S 3/2008 Kimura et al.
D579,930 S 11/2008 Maskatia
D584,738 S 1/2009 Kim et al.

(Continued)

FOREIGN PATENT DOCUMENTS

KR 3005985190000 5/2011
KR 3005994750000 5/2011

(Continued)

OTHER PUBLICATIONS

U.S. Appl. No. 29/405,537, Applicant Ik-Sang Kim, filed Nov. 3, 2011, entitled Tablet Computer.

(Continued)

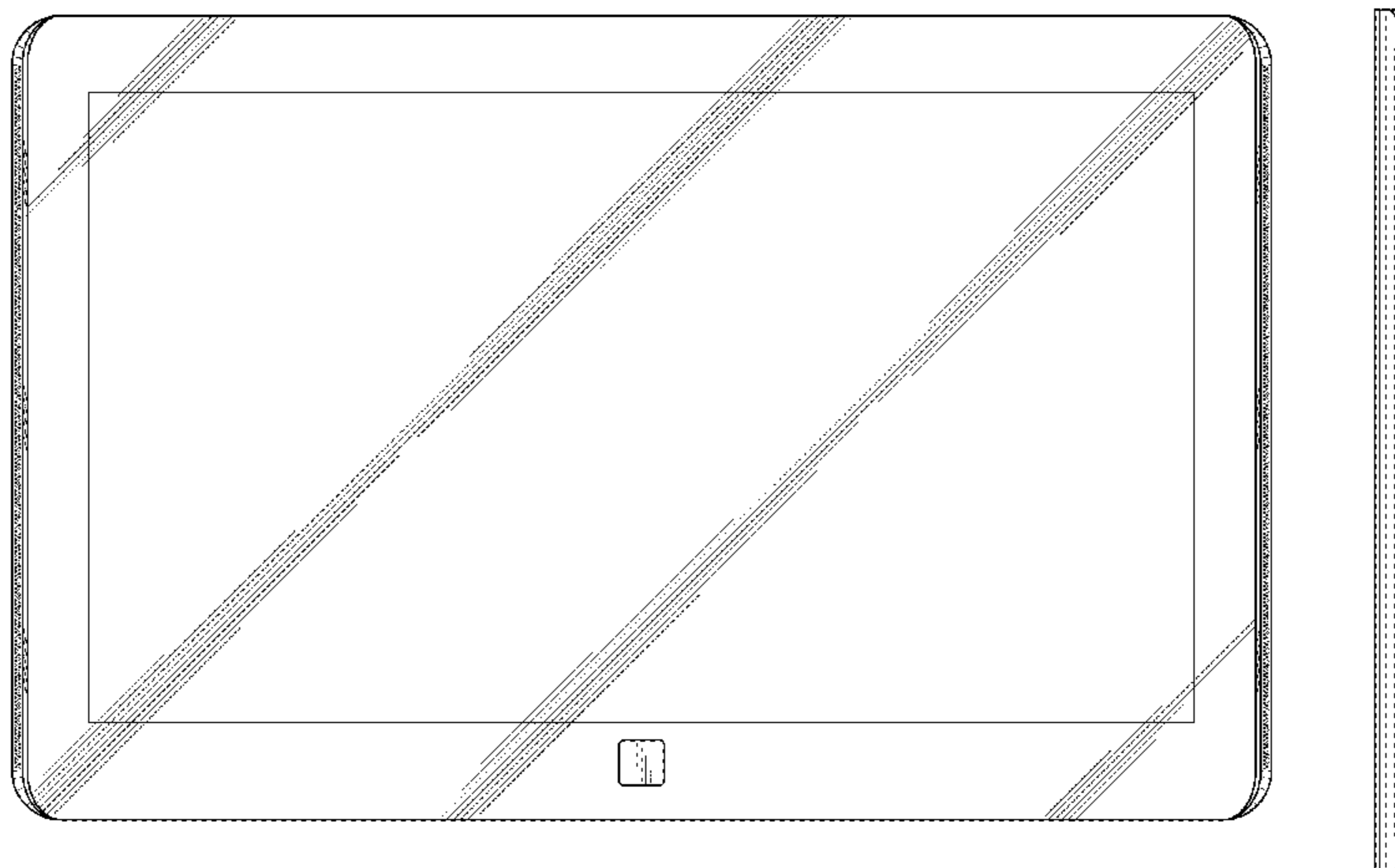
Primary Examiner — Barbara Fox
(74) *Attorney, Agent, or Firm* — Wood, Herron & Evans, LLP

(57) **CLAIM**
The ornamental design for a tablet computer, as shown and described.

DESCRIPTION

FIG. 1 is a top front perspective view of a tablet computer showing our new design;
FIG. 2 is a front elevational view thereof;
FIG. 3 is a rear elevational view thereof;
FIG. 4 is a left side elevational view thereof;
FIG. 5 is a right side elevational view thereof;
FIG. 6 is a top plan view thereof;
FIG. 7 is a bottom plan view thereof; and,
FIG. 8 is a perspective view thereof when the present tablet computer is combined with a separate keyboard.
The broken line showing of a keyboard in FIG. 8 represents environment which forms no part of the claimed design.

1 Claim, 5 Drawing Sheets



(56)

References Cited

OTHER PUBLICATIONS

U.S. PATENT DOCUMENTS

D590,374 S 4/2009 Madonna et al.
 D592,214 S 5/2009 Bradford
 D602,014 S 10/2009 Andre et al.
 D602,487 S 10/2009 Maskatia
 D605,626 S 12/2009 Park
 D610,582 S 2/2010 Sugitani et al.
 D611,364 S 3/2010 Lenz et al.
 D613,510 S 4/2010 Tzeng et al.
 D613,951 S 4/2010 Tang et al.
 D617,793 S 6/2010 Chiang et al.
 D622,270 S 8/2010 Andre et al.
 D627,667 S 11/2010 Lenz et al.
 D627,777 S * 11/2010 Akana et al. D14/341
 D628,913 S 12/2010 Cheng
 D629,799 S 12/2010 Andre et al.
 D640,255 S 6/2011 Lee et al.
 D645,833 S * 9/2011 Seflic et al. D14/138 G
 D650,381 S * 12/2011 Park et al. D14/341
 D664,540 S 7/2012 Kim et al.
 D664,954 S 8/2012 Kim et al.
 D664,955 S 8/2012 Kim et al.
 D666,198 S * 8/2012 Van Den Nieuwenhuizen
 et al. D14/341
 D667,398 S * 9/2012 Koh D14/341
 D667,399 S * 9/2012 Koh D14/341
 D669,468 S * 10/2012 Akana et al. D14/341
 D669,469 S * 10/2012 Kang D14/341
 D670,692 S * 11/2012 Akana et al. D14/341
 D671,514 S * 11/2012 Kim et al. D14/138 G
 D671,544 S 11/2012 Chun et al.
 D671,949 S 12/2012 Jeon et al.
 D672,355 S 12/2012 Lee et al.
 D672,768 S * 12/2012 Huang et al. D14/341
 D673,561 S * 1/2013 Hyun et al. D14/341
 D677,659 S * 3/2013 Akana et al. D14/341
 D677,660 S * 3/2013 Groene et al. D14/341
 D678,271 S * 3/2013 Chiu D14/341
 D680,524 S * 4/2013 Feng et al. D14/341
 D681,583 S * 5/2013 Park D14/138 G
 D681,632 S * 5/2013 Akana et al. D14/341
 D685,783 S * 7/2013 Bryan et al. D14/341
 D687,432 S * 8/2013 Duan et al. D14/341
 D687,823 S * 8/2013 Ryu et al. D14/341
 D688,661 S * 8/2013 Ho et al. D14/341
 D689,048 S * 9/2013 Wang et al. D14/341
 D689,482 S * 9/2013 Akana et al. D14/341
 D690,297 S * 9/2013 Chang et al. D14/341
 2009/0231292 A1 9/2009 Hsieh et al.

FOREIGN PATENT DOCUMENTS

KR 3006004150000 6/2011
 KR 3006004300000 6/2011
 KR 3006046440000 7/2011

U.S. Appl. No. 29/407,975, Applicant Chun et al, filed Dec. 6, 2011, entitled Tablet Computer.
 U.S. Appl. No. 29/407,981, Applicant Chun et al, filed Dec. 6, 2011, entitled Cradle for Tablet Computer.
 U.S. Appl. No. 29/407,982, Applicant Lee et al, filed Dec. 6, 2011, entitled Tablet Computer.
 U.S. Appl. No. 29/407,984, Applicant Jeon et al., filed Dec. 6, 2011, entitled Tablet Computer.
 U.S. Appl. No. 29/407,996, Applicant Jeon et al, filed Sep. 21, 2011, entitled Charger for Tablet Computer.
 U.S. Appl. No. 29/408,009, Applicant Song et al, filed Dec. 6, 2011, entitled Tablet Computer.
 U.S. Appl. No. 29/408,017, Applicant Song et al, filed Dec. 6, 2011, entitled Tablet Computer.
 U.S. Appl. No. 29/416,029, Applicant Kim et al., filed Dec. 6, 2011, entitled Tablet Computer.
 U.S. Appl. No. 29/416,032, Applicant Kim et al., filed Mar. 16, 2012, entitled Tablet Computer.
 U.S. Appl. No. 29/418,670, Applicant Song et al., filed Apr. 19, 2012, entitled Tablet Computer.
 U.S. Appl. No. 29/419,893, Applicant Ik-Sang Kim, filed May 2, 2012, entitled Slate Computer.
 U.S. Appl. No. 29/419,907, Applicant Ik-Sang Kim, filed May 2, 2012, entitled Slate Computer.
 U.S. Appl. No. 29/419,911, Applicant Kim et al., filed May 2, 2012, entitled Tablet Computer.
 U.S. Appl. No. 29/420,669, Applicant Lim et al., filed May 11, 2012, entitled Tablet Computer.
 U.S. Appl. No. 29/422,467, Applicant Song et al., filed May 21, 2012, entitled Tablet Computer.
 U.S. Appl. No. 29/425,977, Applicant Ji-Sang Park, filed Jun. 28, 2012, entitled Tablet Computer.
 U.S. Appl. No. 29/425,978, Applicant Lim et al., filed Jun. 28, 2012, entitled Tablet Computer.
 U.S. Appl. No. 29/427,736, Applicant Kim et al., filed Jul. 21, 2012, entitled Tablet Computer.
 U.S. Appl. No. 29/425,227, Applicant Kim et al., filed Jun. 20, 2012, entitled Tablet Computer.
 U.S. Appl. No. 29/425,446, Applicant Kim et al., filed Jun. 22, 2012, entitled Portable Computer.
 U.S. Appl. No. 29/425,732, Applicant Park et al., filed Jun. 26, 2012, entitled Portable Computer.
 U.S. Appl. No. 29/425,828, Applicant Kim et al., filed Jun. 27, 2012, entitled Portable Computer.
 U.S. Appl. No. 29/425,836, Applicant Park et al., filed Jun. 27, 2012, entitled Portable Computer.

* cited by examiner

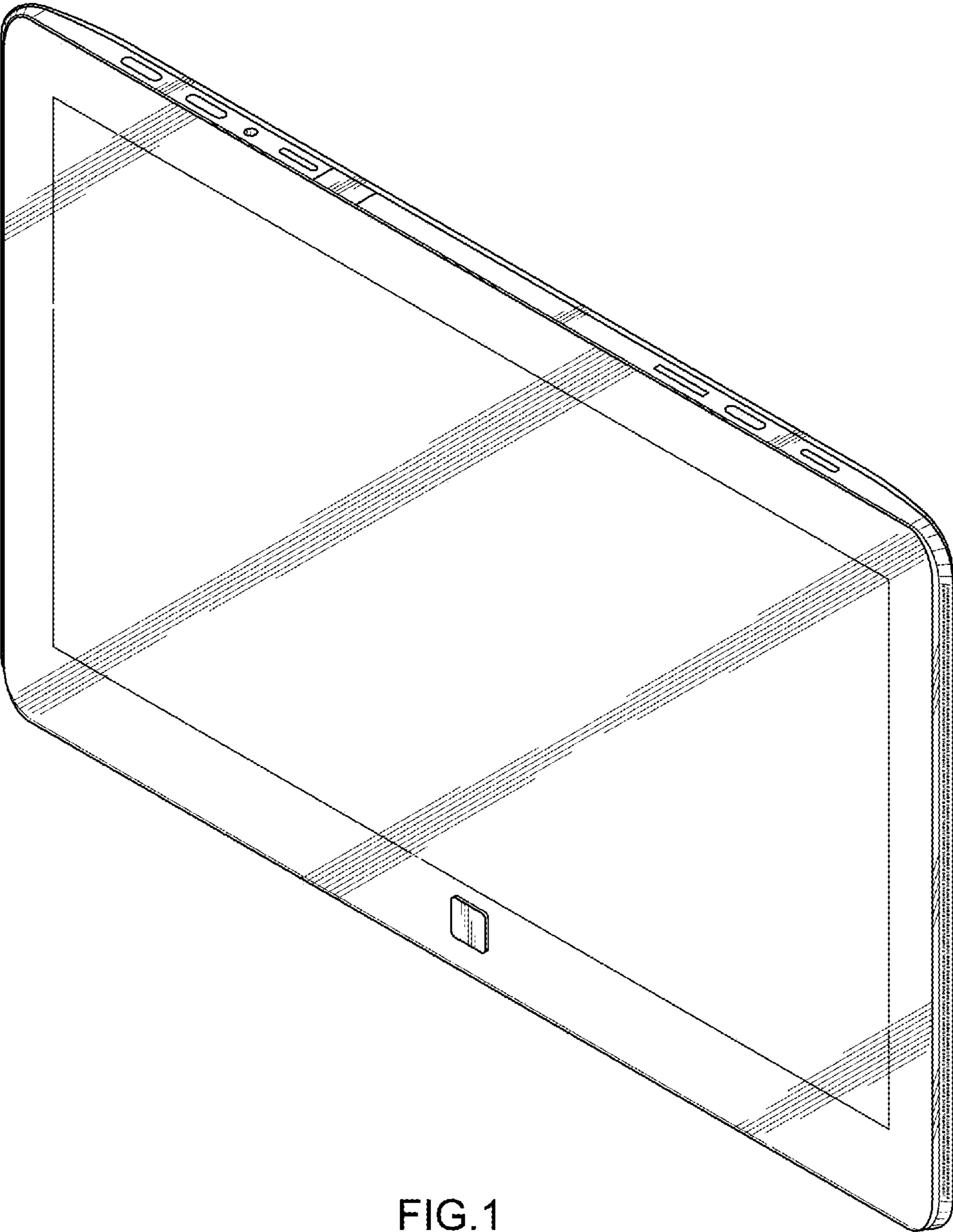


FIG. 1

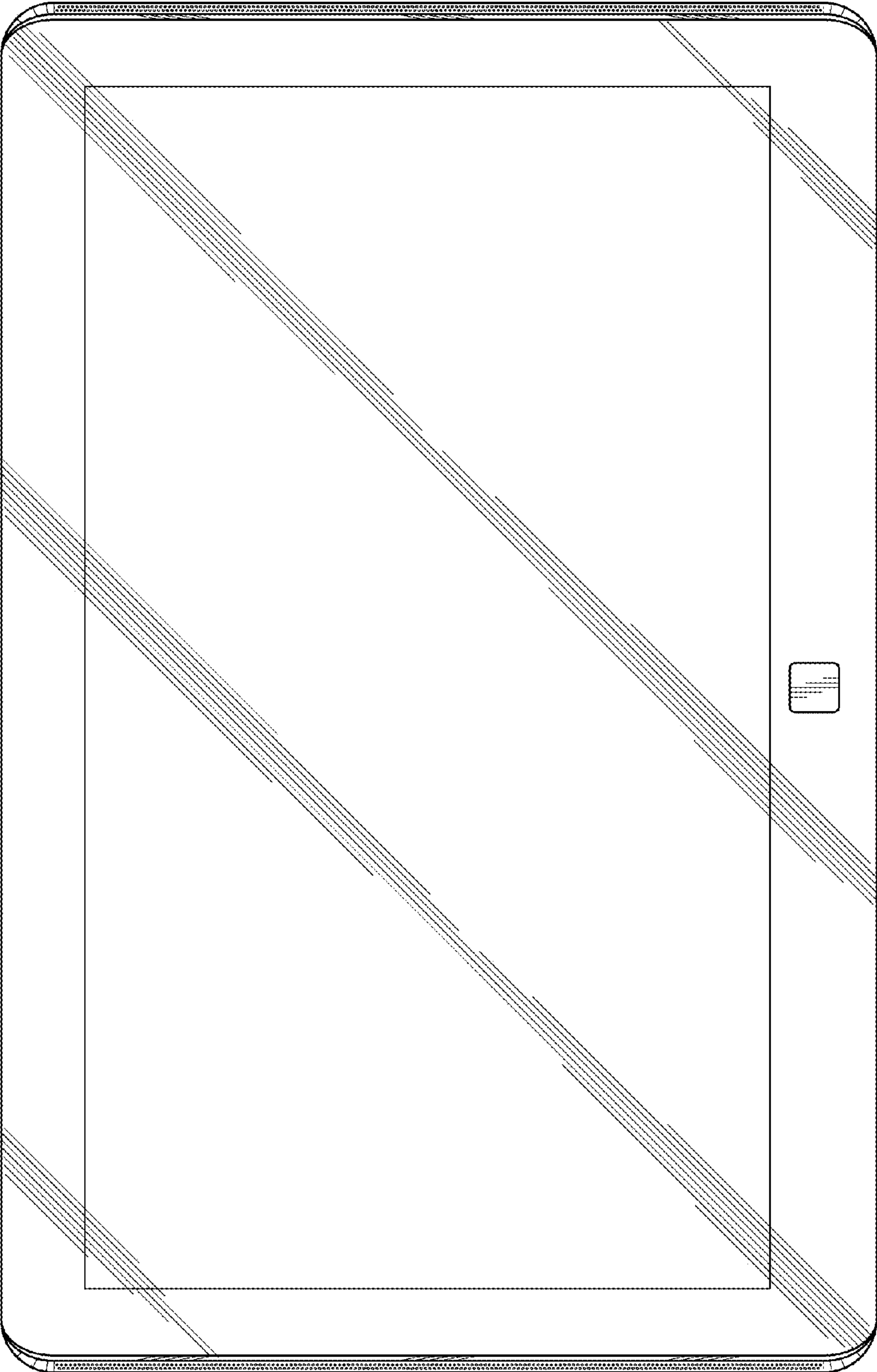


FIG.2

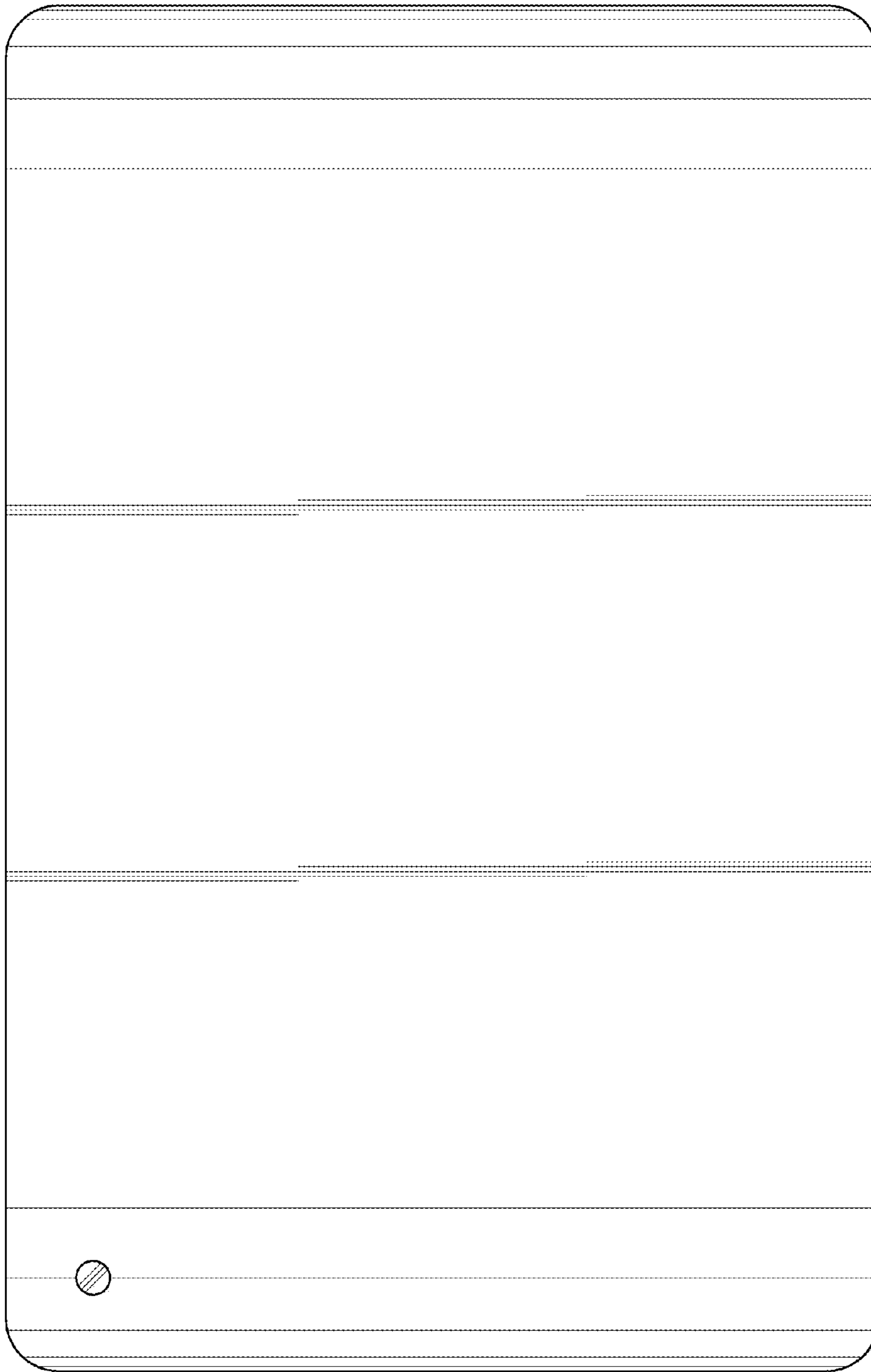


FIG. 3



FIG. 4

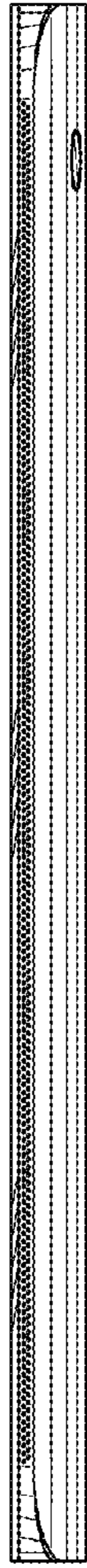


FIG. 5



FIG. 6



FIG. 7

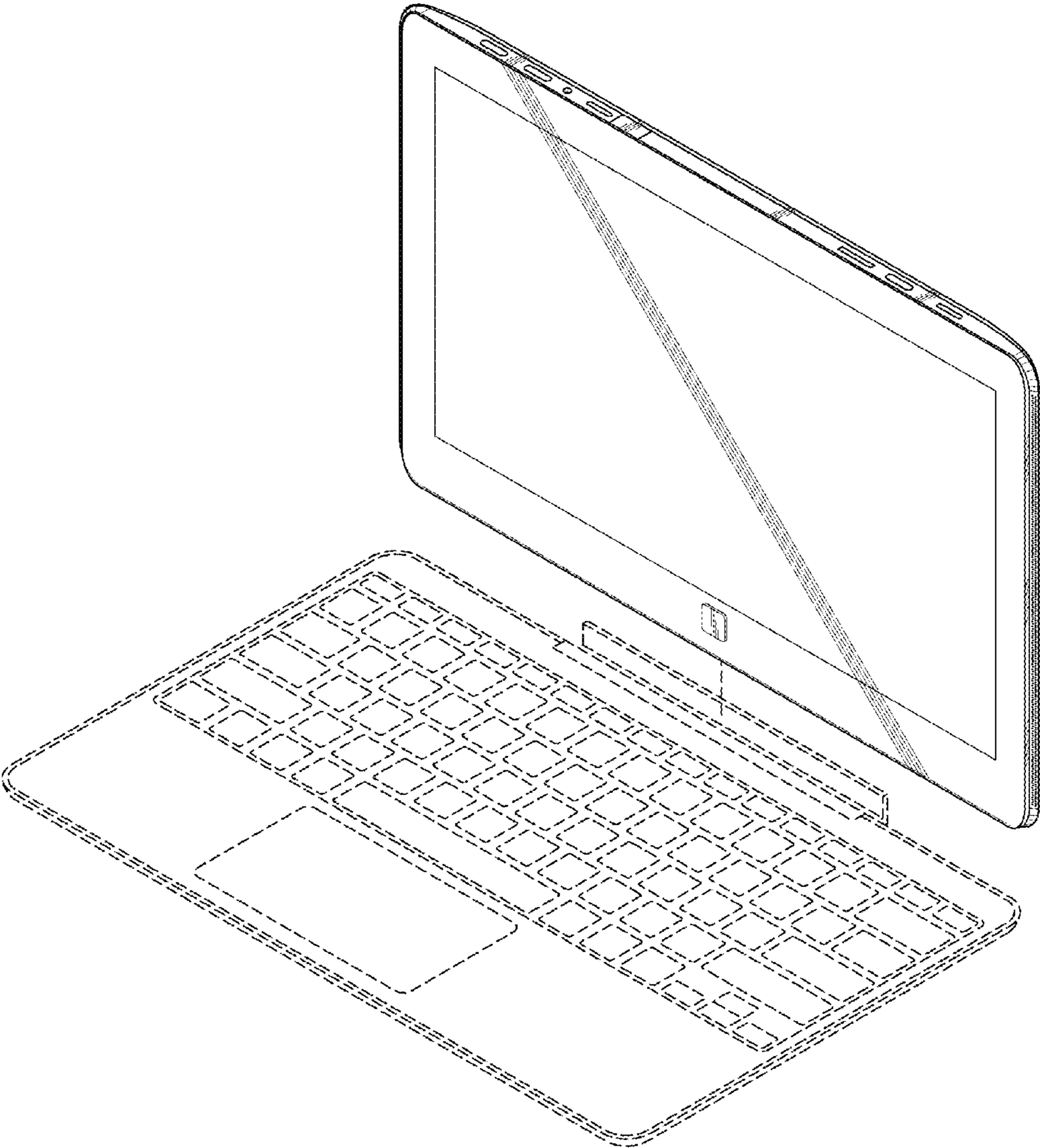


FIG.8